



US00D523244S

(12) **United States Design Patent**
Peterson

(10) **Patent No.:** **US D523,244 S**
(45) **Date of Patent:** **** Jun. 20, 2006**

(54) **STORAGE CONTAINER**

(75) Inventor: **Leroy L. Peterson**, Omaha, NE (US)

(73) Assignee: **Sportstuff, Inc.**, Omaha, NE (US)

(**) Term: **14 Years**

(21) Appl. No.: **29/219,006**

(22) Filed: **Dec. 10, 2004**

(51) **LOC (8) Cl.** **03-01**

(52) **U.S. Cl.** **D3/295; D3/905**

(58) **Field of Classification Search** D3/260,
D3/283-284, 286, 295, 904-905; 43/54.1;
206/315.11; 224/920

See application file for complete search history.

(56) **References Cited**

U.S. PATENT DOCUMENTS

239,274	A	*	3/1881	Shadowsky	292/74
D223,652	S	*	5/1972	Jaffe et al.	D3/295
3,697,223	A	*	10/1972	Kovalcik	206/370
D242,083	S	*	10/1976	Jean	D3/284
4,040,202	A	*	8/1977	Wille	43/57.2
4,285,556	A	*	8/1981	Loeffel	312/244
D279,330	S	*	6/1985	Gerch	D3/274
D303,447	S	*	9/1989	Ayres	D3/313
5,228,232	A	*	7/1993	Miles	43/57.1
D475,852	S	*	6/2003	Peterson	D3/260
6,766,610	B1	*	7/2004	Lin	43/54.1
2004/0256260	A1	*	12/2004	Lin	206/315.11

OTHER PUBLICATIONS

Bassmaster Lure Box—Topwater. Downloaded Nov. 18, 2005 at <http://www.basspro.com/servlet/catalog.TextId?hvarTarget=search&hvarTextId=58146&hvarAID=froo>.*

Plastic Lure Box—4 Compartments. Downloaded Nov. 18, 2005 at <http://www.teamnumark.com/product.asp?engine=froogle&productID=4556>.*

* cited by examiner

Primary Examiner—Philip S. Hyder

Assistant Examiner—RoseLynne Ulm

(74) *Attorney, Agent, or Firm*—Sturm & Fix LLP

(57) **CLAIM**

The ornamental design for a storage container, as shown and described.

DESCRIPTION

FIG. 1 is a perspective view of the storage container showing my new design, showing the upper lid open and the lower lid partially open to illustrate the storage container has separate compartments on opposite sides;

FIG. 2 is a top plan view of the storage container showing the lids open at right angles to the compartments;

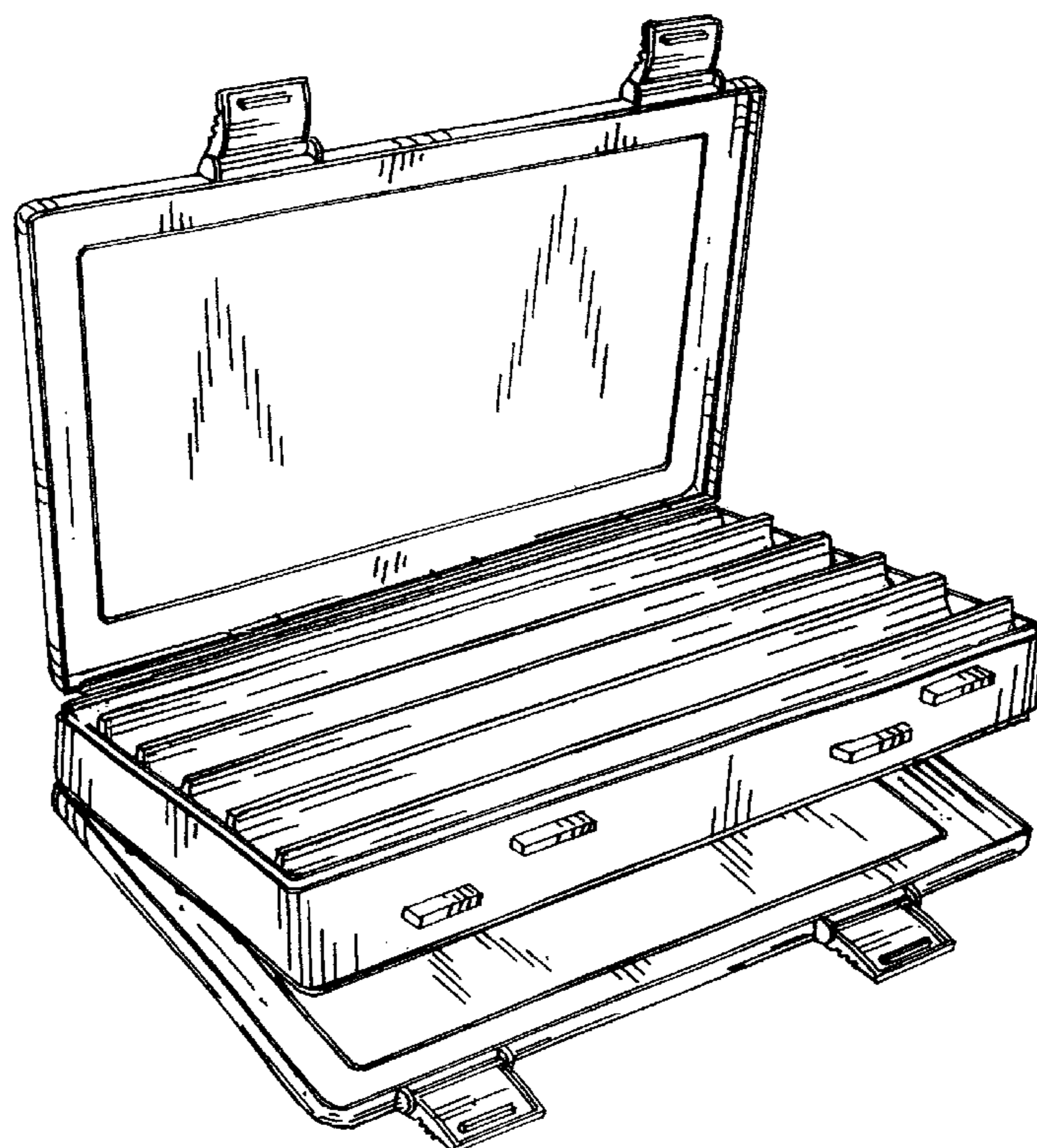
FIG. 3 is a bottom plan view thereof;

FIG. 4 is a right side elevational view thereof, the left side elevational view being a mirror image thereof;

FIG. 5 is a front elevational view thereof; and,

FIG. 6 is a rear elevational view thereof.

1 Claim, 4 Drawing Sheets



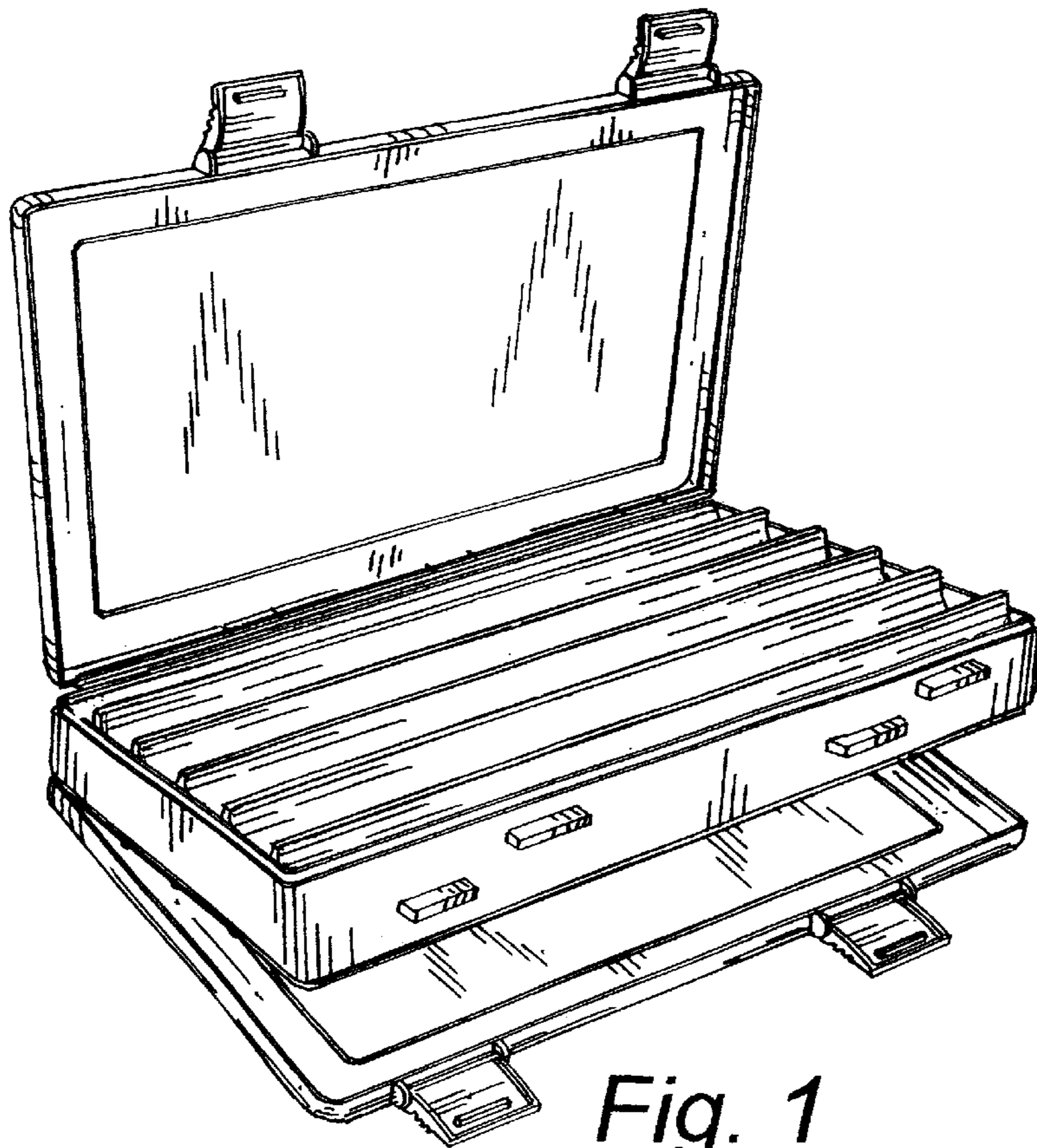


Fig. 1



Fig. 2

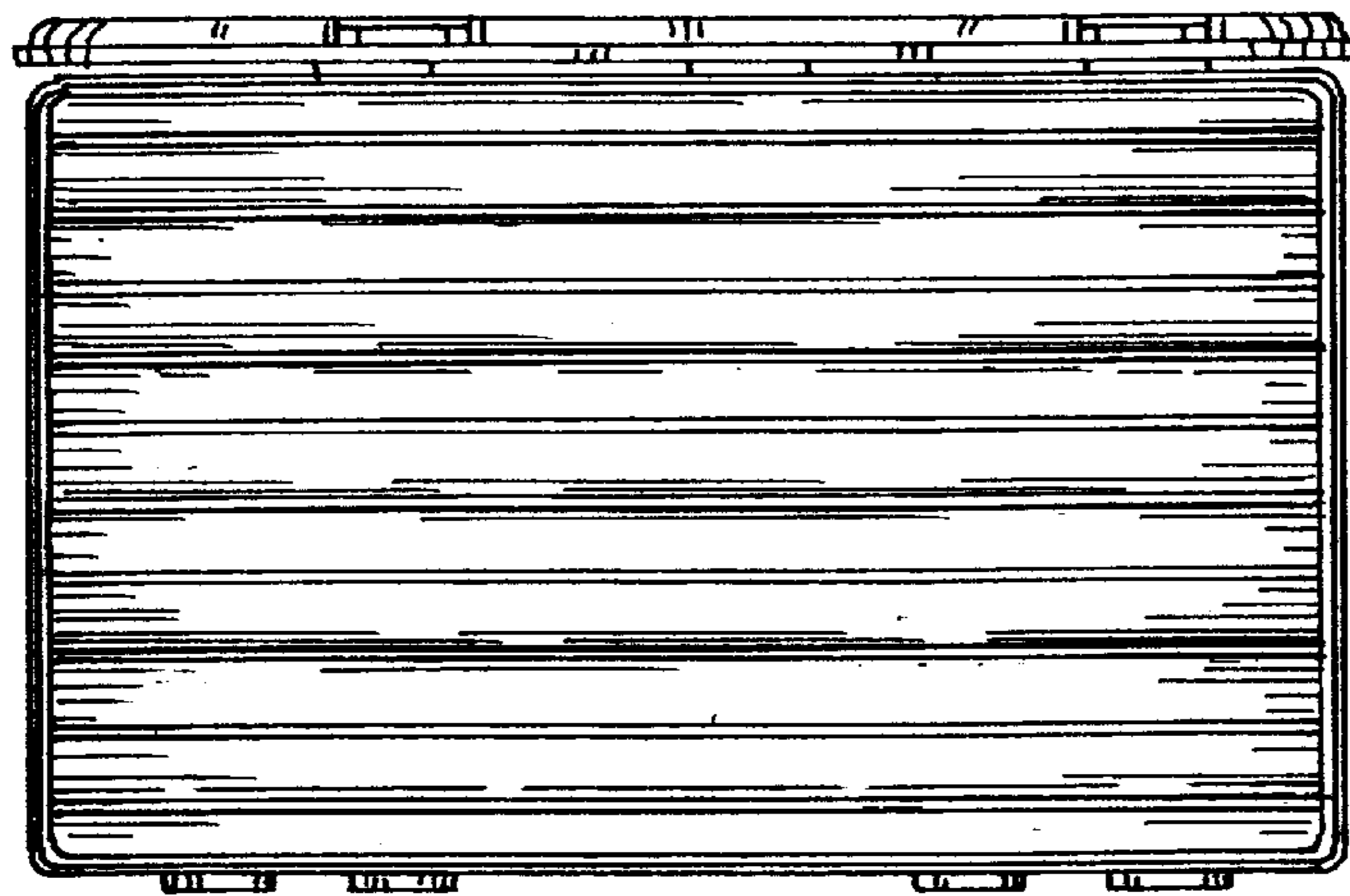


Fig. 3

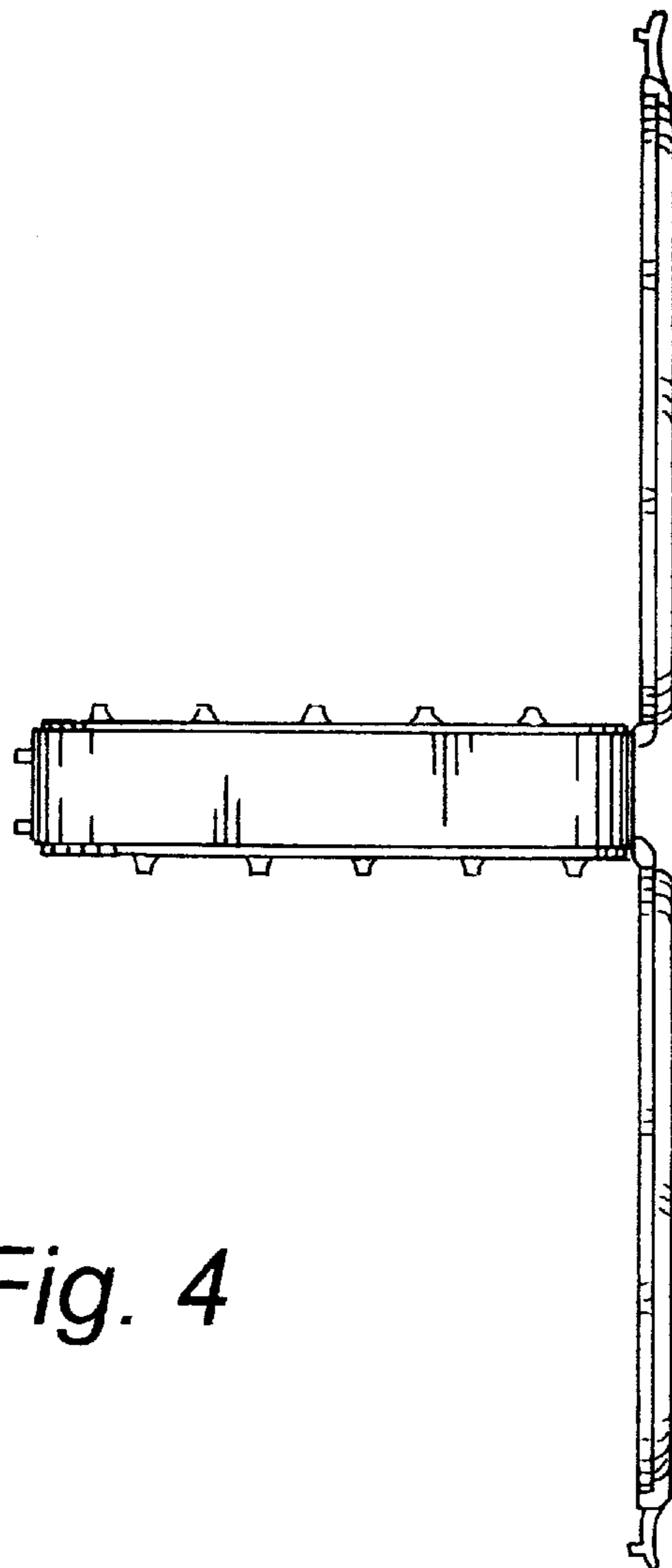


Fig. 4

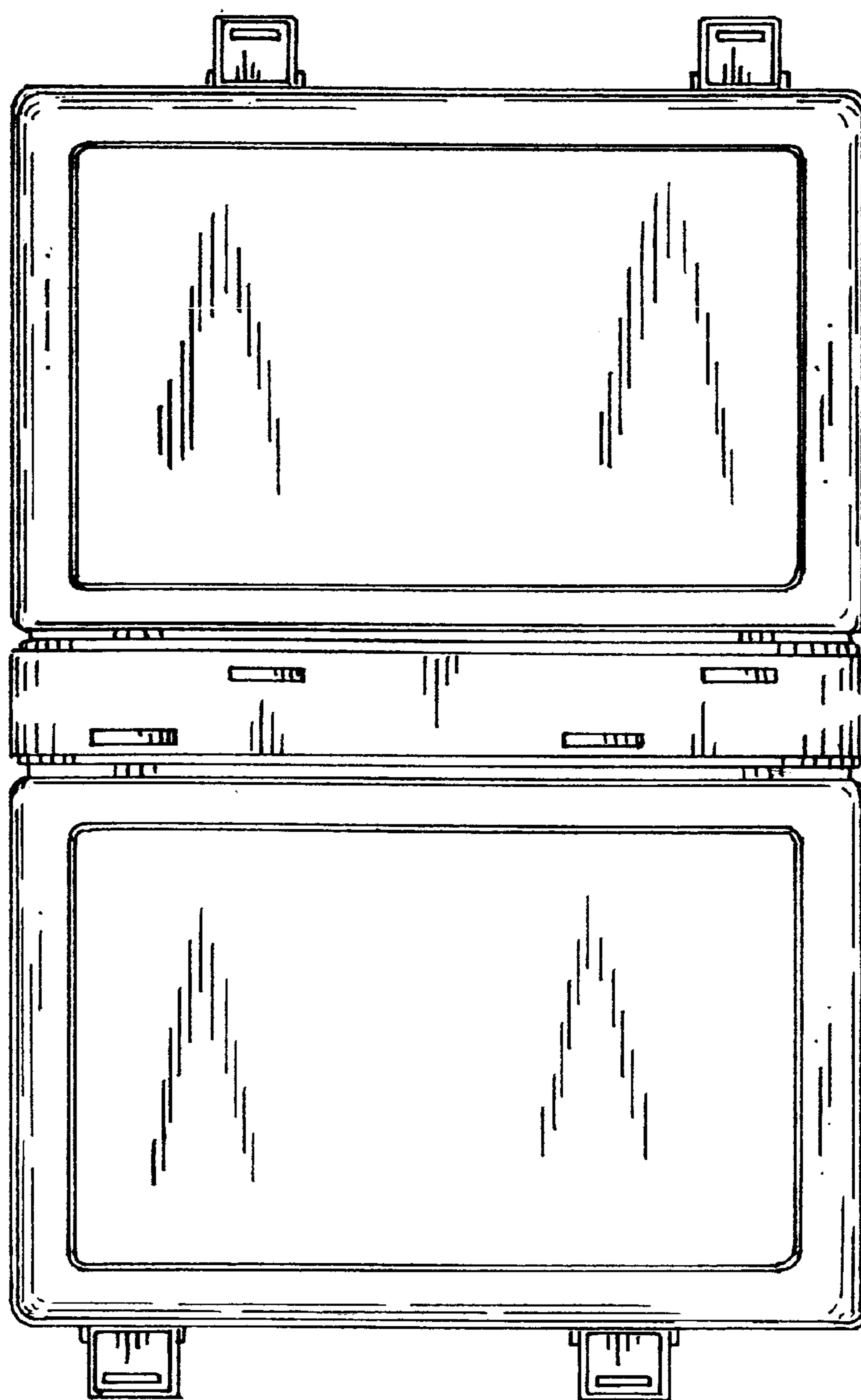


Fig. 5

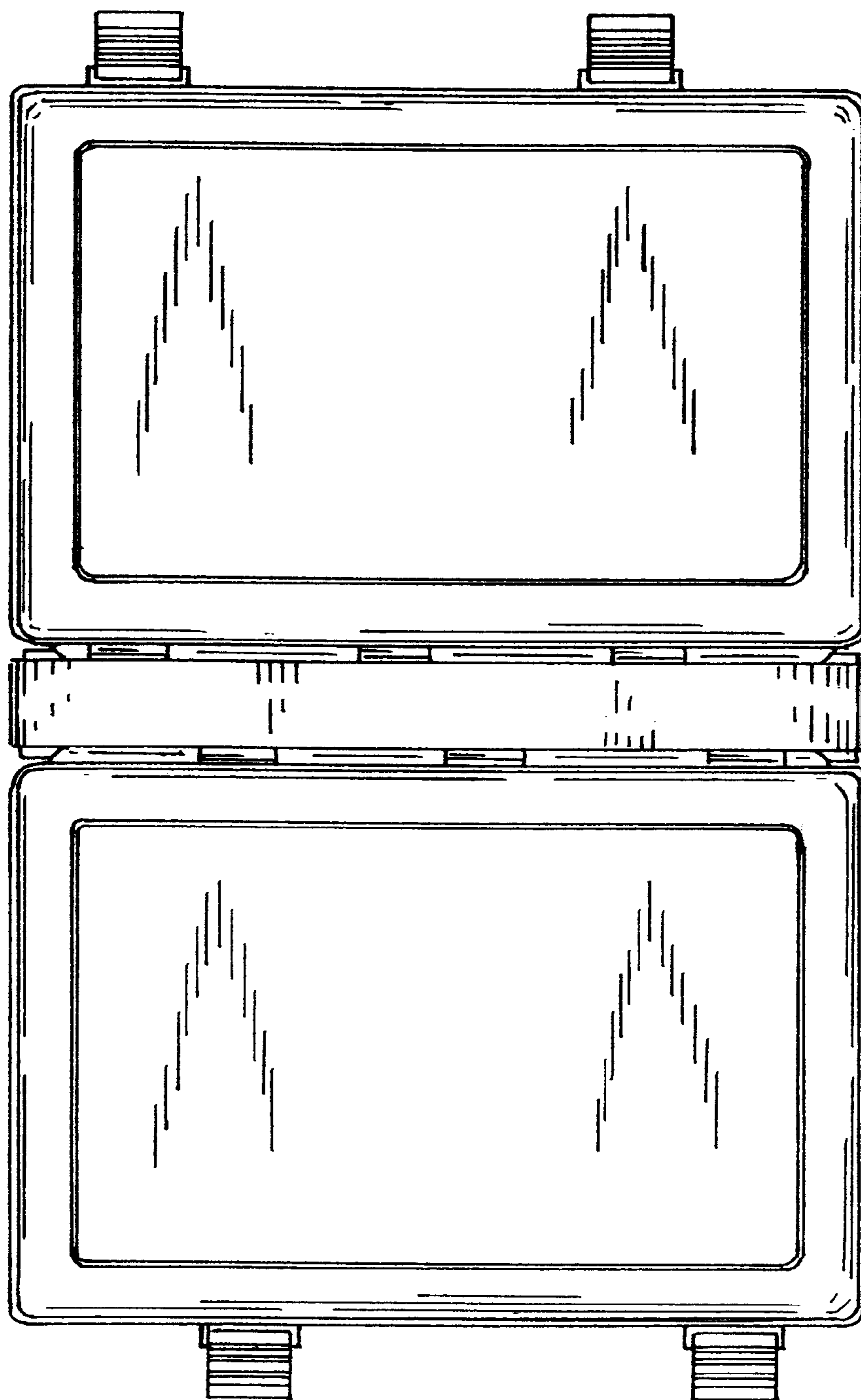


Fig. 6