



US00D523242S

(12) **United States Design Patent**  
**Hardigg et al.**

(10) **Patent No.:** **US D523,242 S**  
(45) **Date of Patent:** **\*\* Jun. 20, 2006**

(54) **CASE**

D472,384 S \* 4/2003 Richardson ..... D3/273  
D487,970 S \* 4/2004 Meier et al. .... D3/281

(75) Inventors: **James S. Hardigg**, Conway, MA (US);  
**Stanley Lewandowski**, Shelburne Falls,  
MA (US)

**OTHER PUBLICATIONS**

Pelican Foam-Filled Watertight Cases as shown in Contact  
East Catalog-2003, p. 85 (www.contacteast.com through  
http://catalogs.google.com).\*

(73) Assignee: **Hardigg Industries, Inc.**, South  
Deerfield, MA (US)

Platt Rotational Molded Tool Case as shown at http://  
www.lashen.com/vendors/platt/RotationalMolded.asp-Nov.  
15, 2002 (available through web.archive.org).\*

(\*\*) **Term:** **14 Years**

\* cited by examiner

(21) Appl. No.: **29/219,359**

*Primary Examiner*—Philip S. Hyder  
*Assistant Examiner*—RoseLynne Ulm

(22) Filed: **Dec. 16, 2004**

(74) *Attorney, Agent, or Firm*—McCormick, Paulding &  
Huber LLP

(51) **LOC (8) Cl.** ..... **03-01**

(52) **U.S. Cl.** ..... **D3/276; D3/905**

(58) **Field of Classification Search** ..... D3/272-273,  
D3/276, 279, 294, 905; 190/37, 100, 115,  
190/900; 206/349, 372, 373

(57) **CLAIM**

See application file for complete search history.

The ornamental design for a case, as shown and described.

**DESCRIPTION**

(56) **References Cited**

**U.S. PATENT DOCUMENTS**

D353,048 S \* 12/1994 VanSkiver et al. .... D3/276  
D413,202 S \* 8/1999 Schmitt et al. .... D3/276  
D439,407 S \* 3/2001 Parker ..... D3/276  
D462,519 S \* 9/2002 Gaydos et al. .... D3/276  
D465,330 S \* 11/2002 Parker ..... D3/273  
D467,424 S \* 12/2002 Hardigg et al. .... D3/279  
D467,425 S \* 12/2002 Hardigg et al. .... D3/279  
D467,426 S \* 12/2002 Hardigg et al. .... D3/279

FIG. 1 is a front right perspective view of a case showing the  
new design;

FIG. 2 is a front elevation view of the case of FIG. 1;

FIG. 3 is a left side elevation view of the case of FIG. 1;

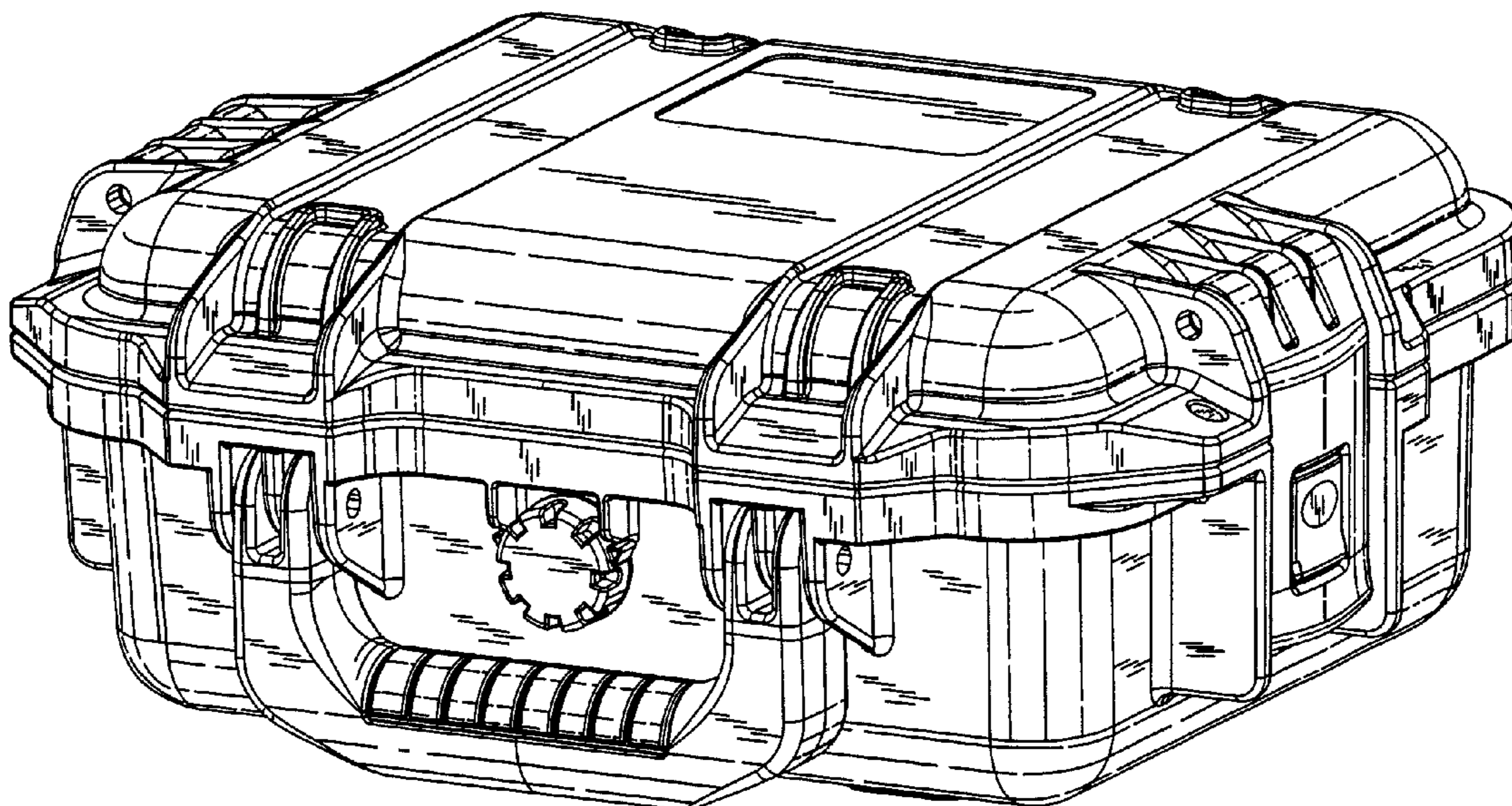
FIG. 4 is a right side elevation view of the case of FIG. 1;

FIG. 5 is a top plan view of the case of FIG. 1;

FIG. 6 is a bottom plan view of the case of FIG. 1; and,

FIG. 7 is a rear elevation view of the case of FIG. 1.

**1 Claim, 3 Drawing Sheets**



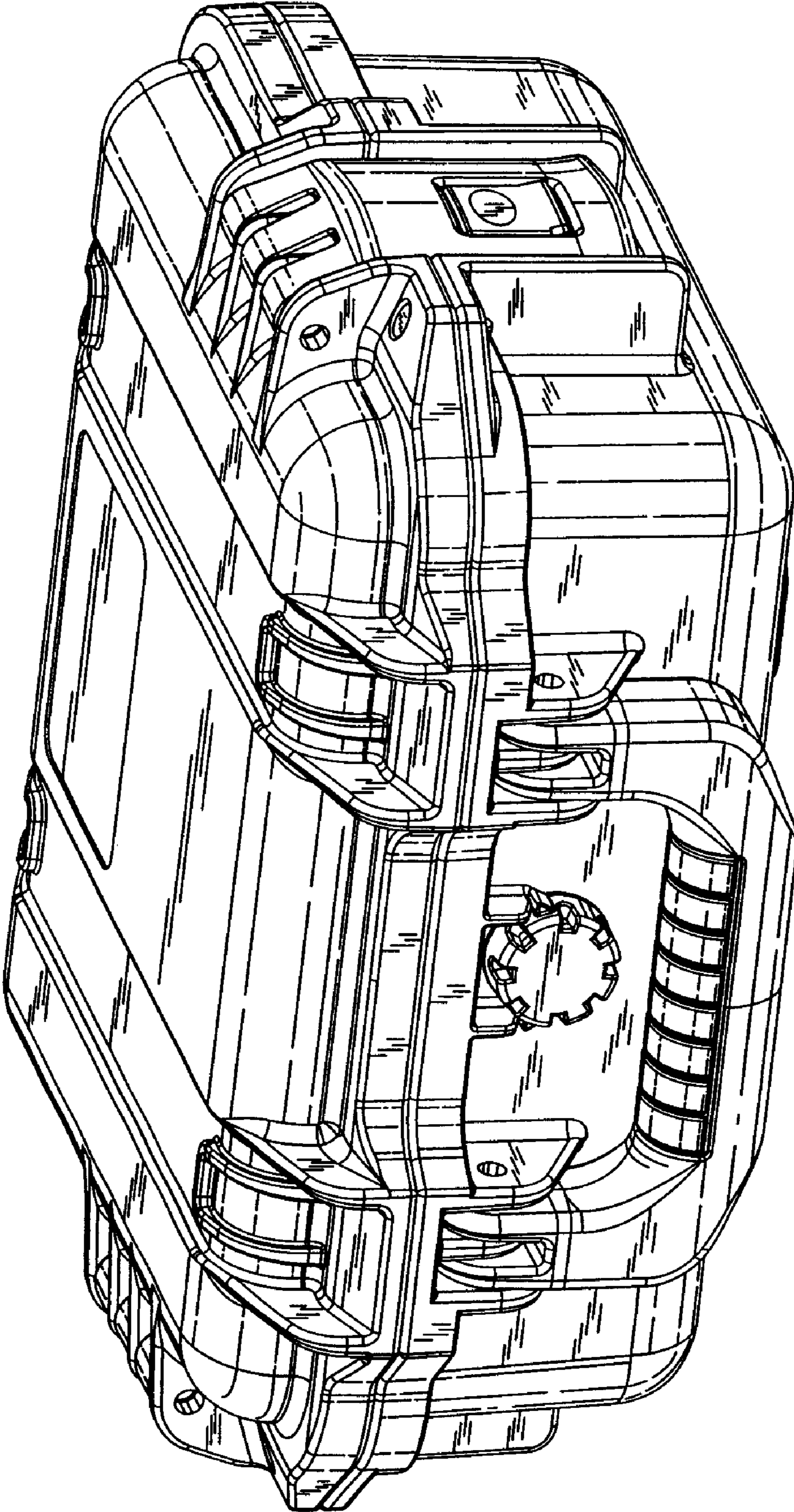


FIG. 1

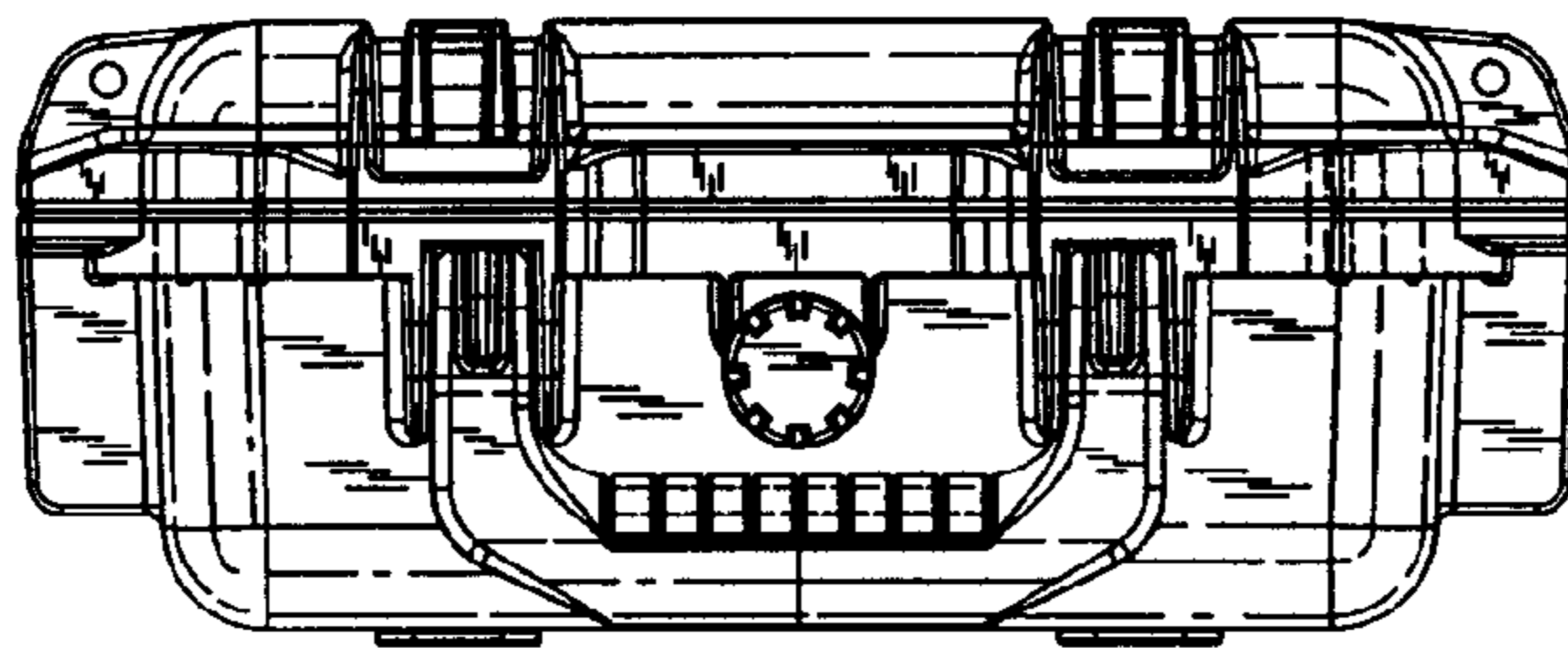


FIG. 2

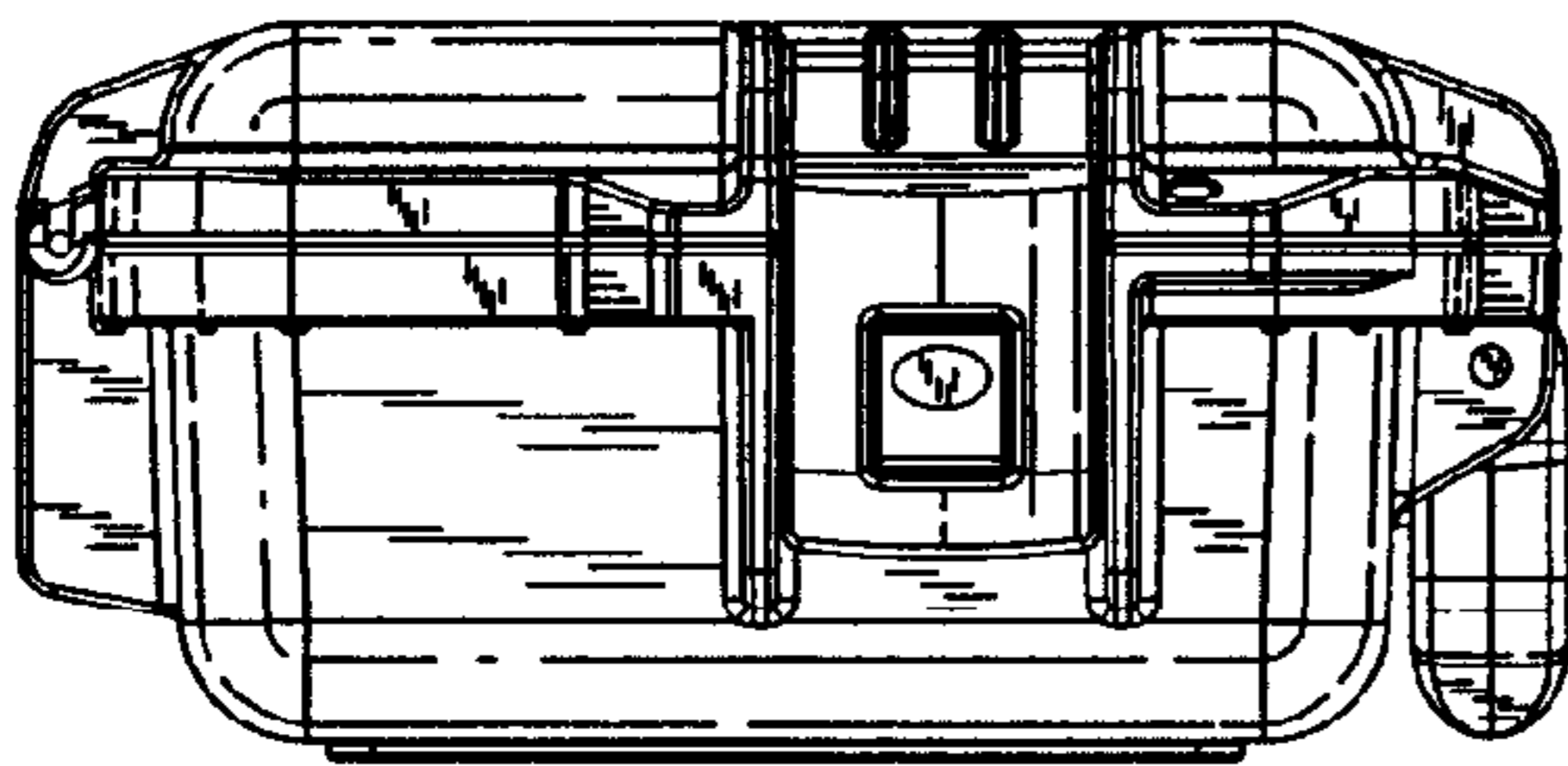


FIG. 3

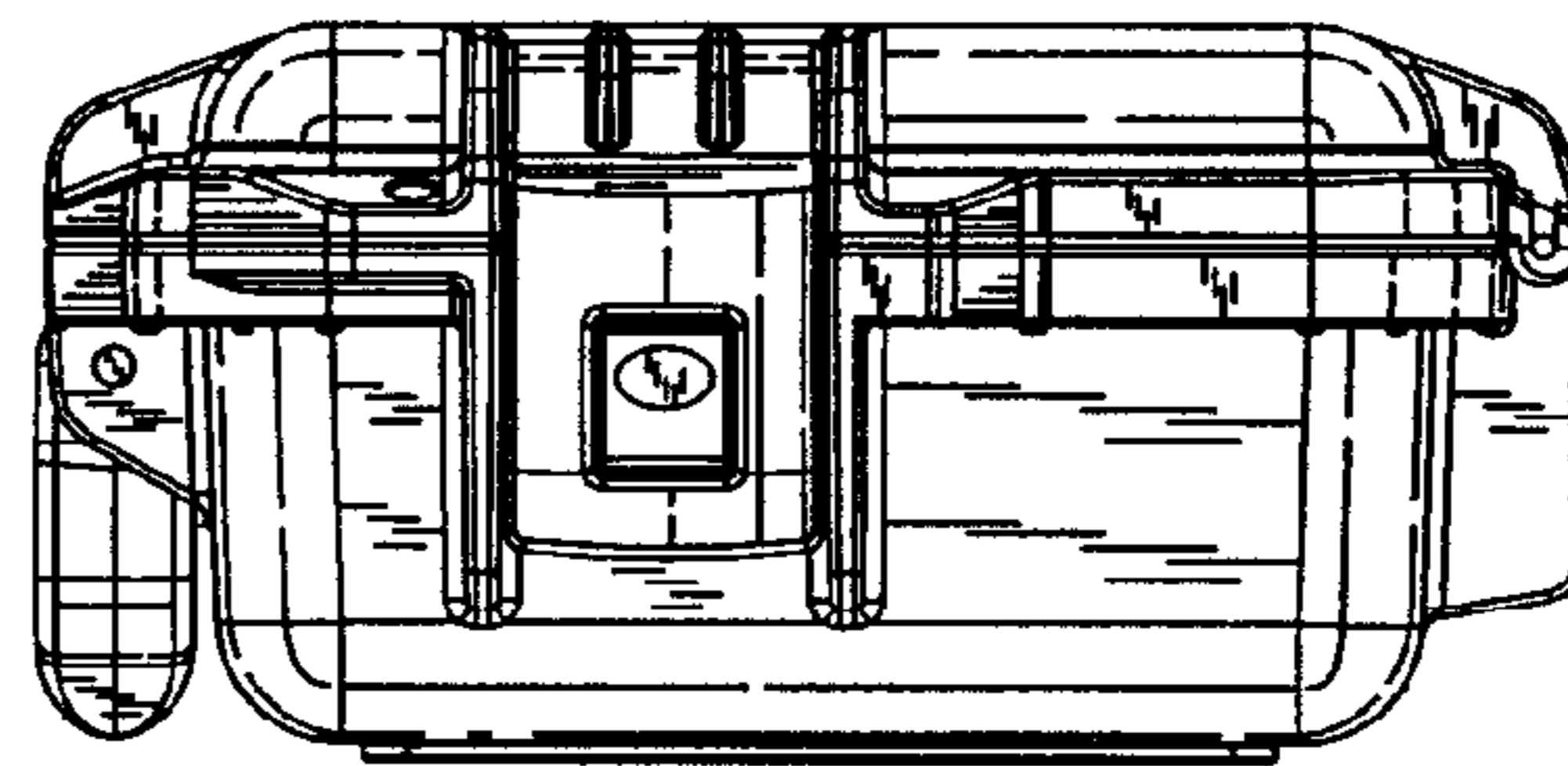


FIG. 4



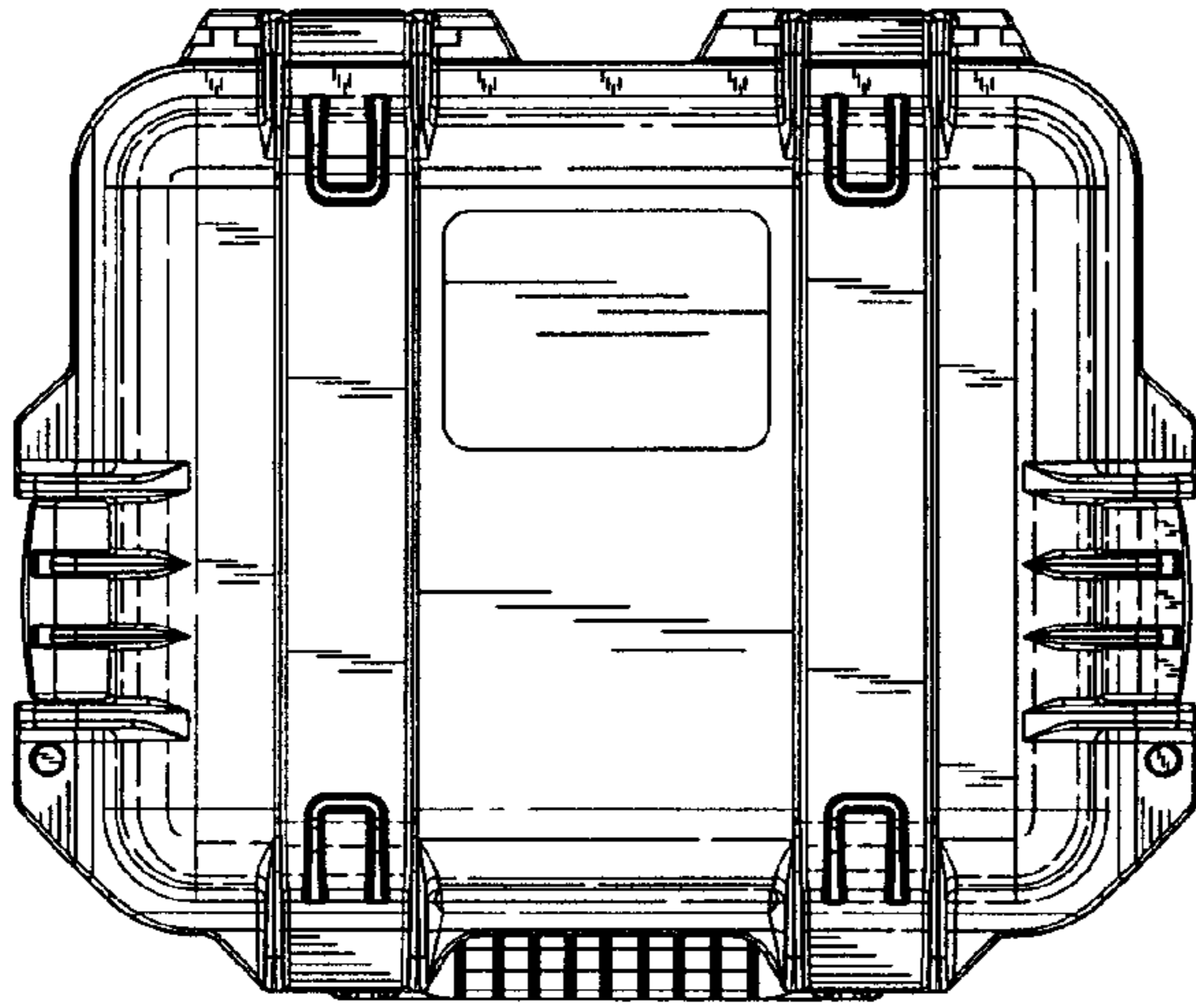


FIG. 5

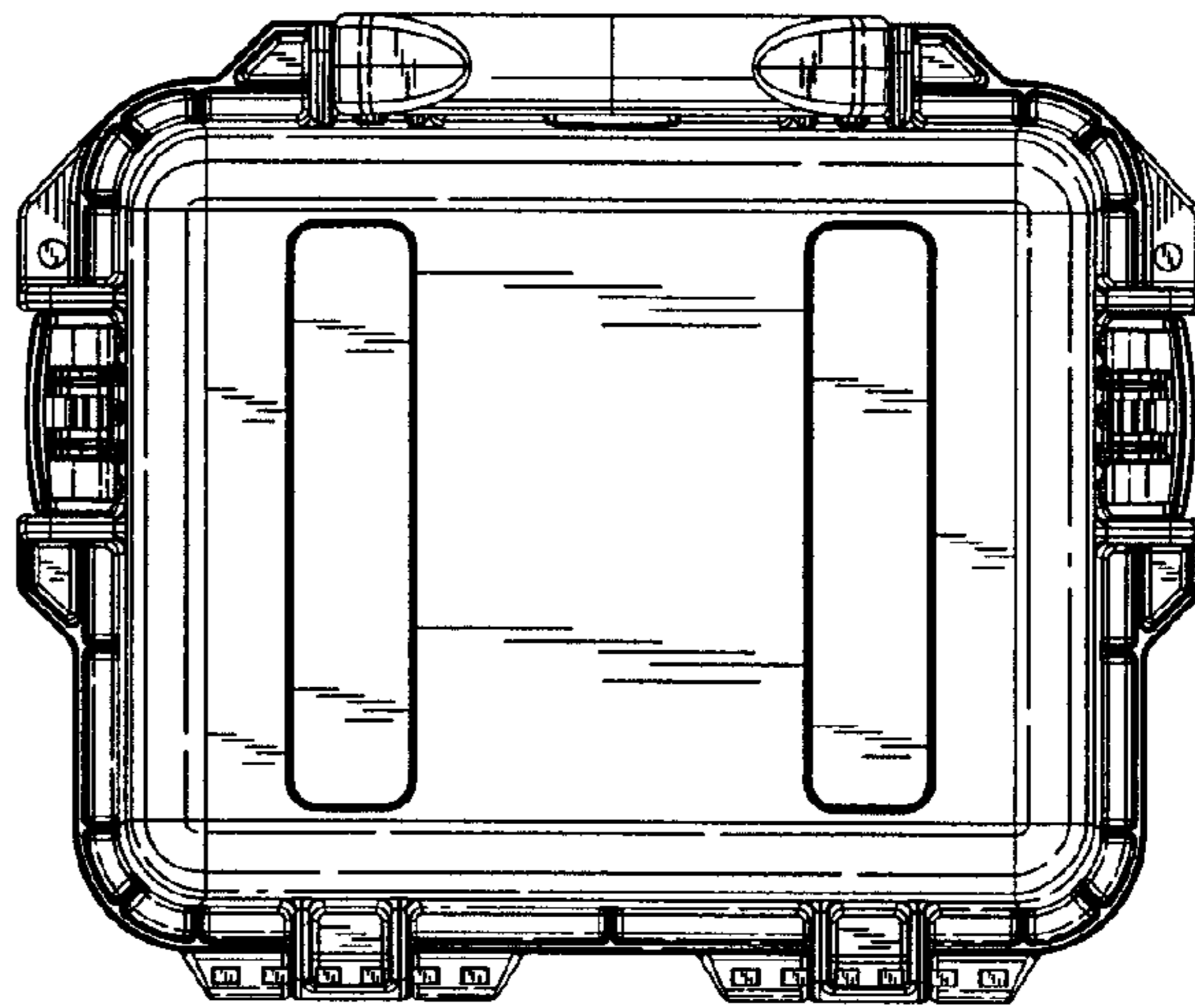


FIG. 6

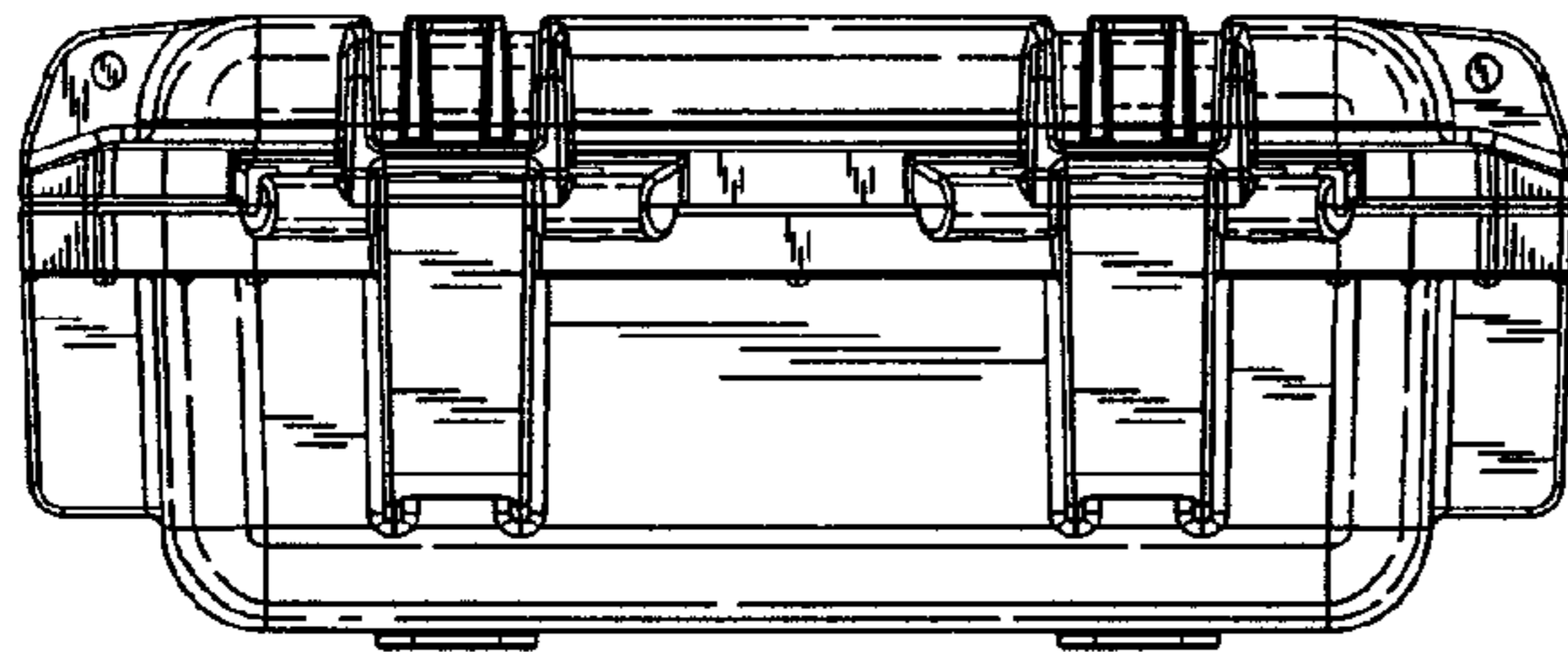


FIG. 7