



US00D523237S

(12) **United States Design Patent**  
**Kiriakides**

(10) **Patent No.:** **US D523,237 S**

(45) **Date of Patent:** **\*\* Jun. 20, 2006**

(54) **KEY CHAIN**

D415,343 S 10/1999 Maddox  
6,065,563 A 5/2000 Stowers

(76) Inventor: **John A. Kiriakides**, 219 Roper  
Mountain Rd., Extension, Greenville,  
SC (US) 29615

\* cited by examiner

*Primary Examiner*—Ralf Seifert  
(74) *Attorney, Agent, or Firm*—Dority & Manning, P.A.

(\*\*) Term: **14 Years**

(57) **CLAIM**

(21) Appl. No.: **29/232,090**

The ornamental design of a key chain, as shown and described.

(22) Filed: **Jun. 14, 2005**

(51) **LOC (8) Cl.** ..... **03-01**

**DESCRIPTION**

(52) **U.S. Cl.** ..... **D3/211**

FIG. 1 is a perspective view of the key chain taken from one side.

(58) **Field of Classification Search** ..... D3/207–212;  
206/37.1, 38.1; 150/147; 70/456 R, 456 B,  
70/458–459; 24/3 K, 3.6, 100; D11/44, 48  
See application file for complete search history.

FIG. 2 is a perspective view of the key chain taken from the other side.

FIG. 3 is a top plan view of the key chain.

FIG. 4 is a bottom plan view of the key chain.

FIG. 5 is a side elevation view of the key chain taken from one side.

(56) **References Cited**

FIG. 6 is a side elevation view of the key chain taken from the other side.

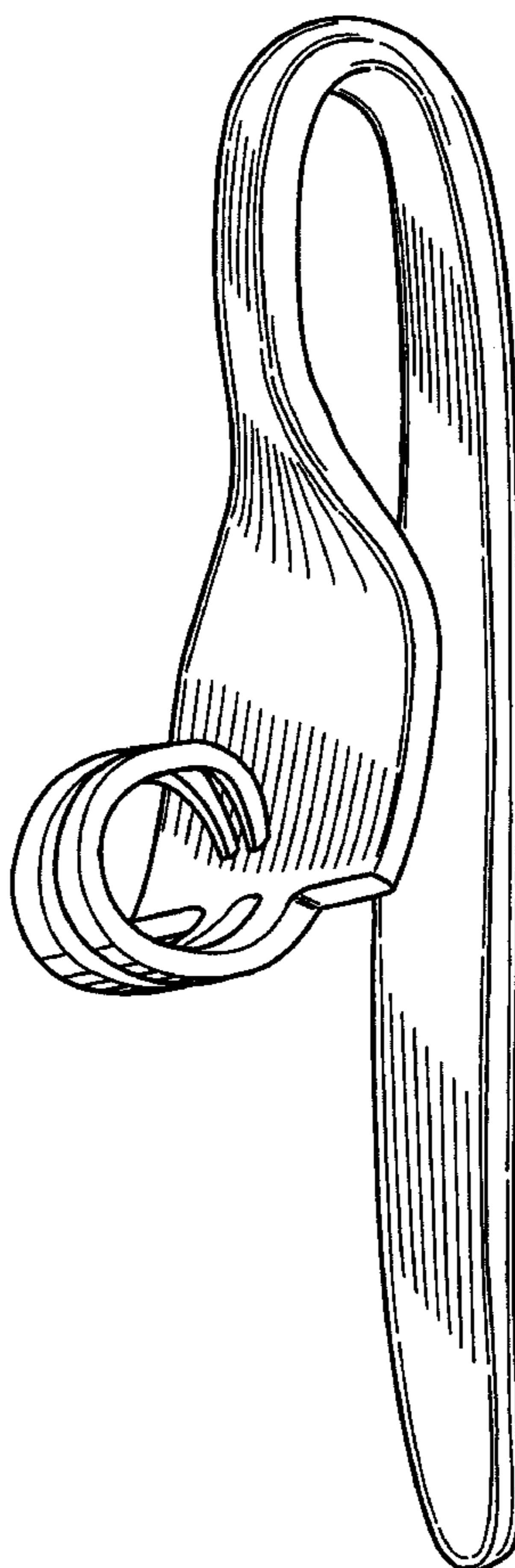
**U.S. PATENT DOCUMENTS**

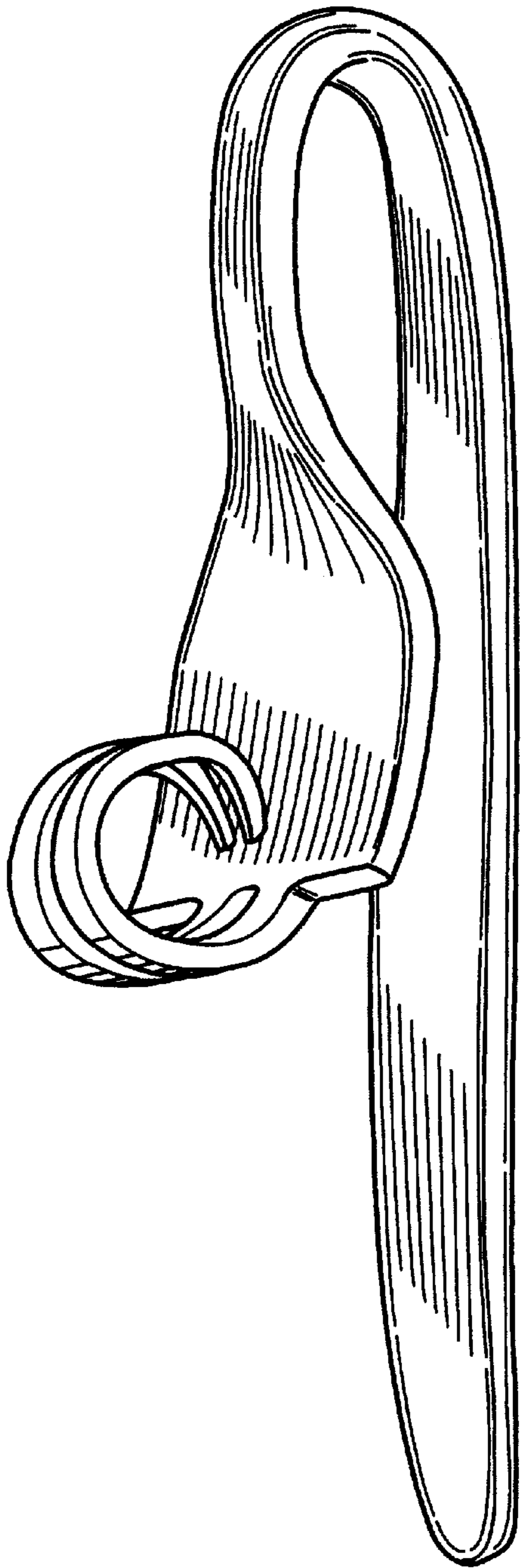
FIG. 7 is an end view of the key chain taken from one end; and,

1,095,247 A 5/1914 Toce  
D46,019 S \* 6/1914 Cantrell et al. .... D3/207  
1,432,016 A 10/1922 Crawford  
3,970,227 A 7/1976 Hardy  
D374,745 S \* 10/1996 Harris ..... D28/65

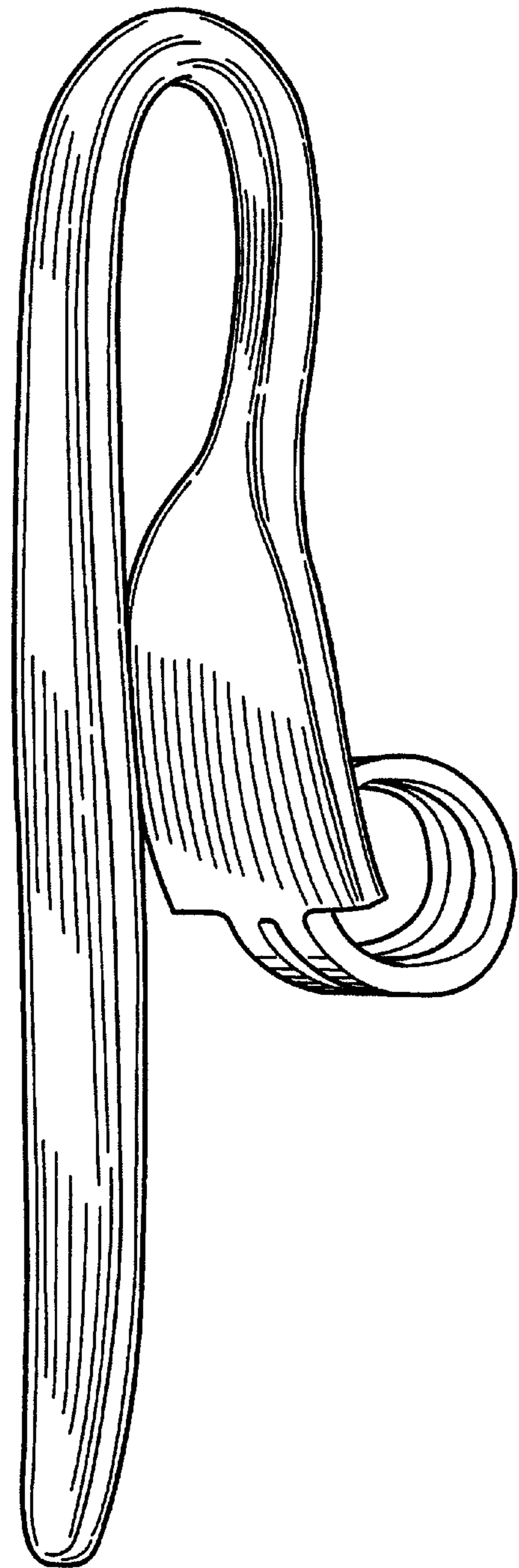
FIG. 8 is an end view of the key chain taken from the other end.

**1 Claim, 4 Drawing Sheets**

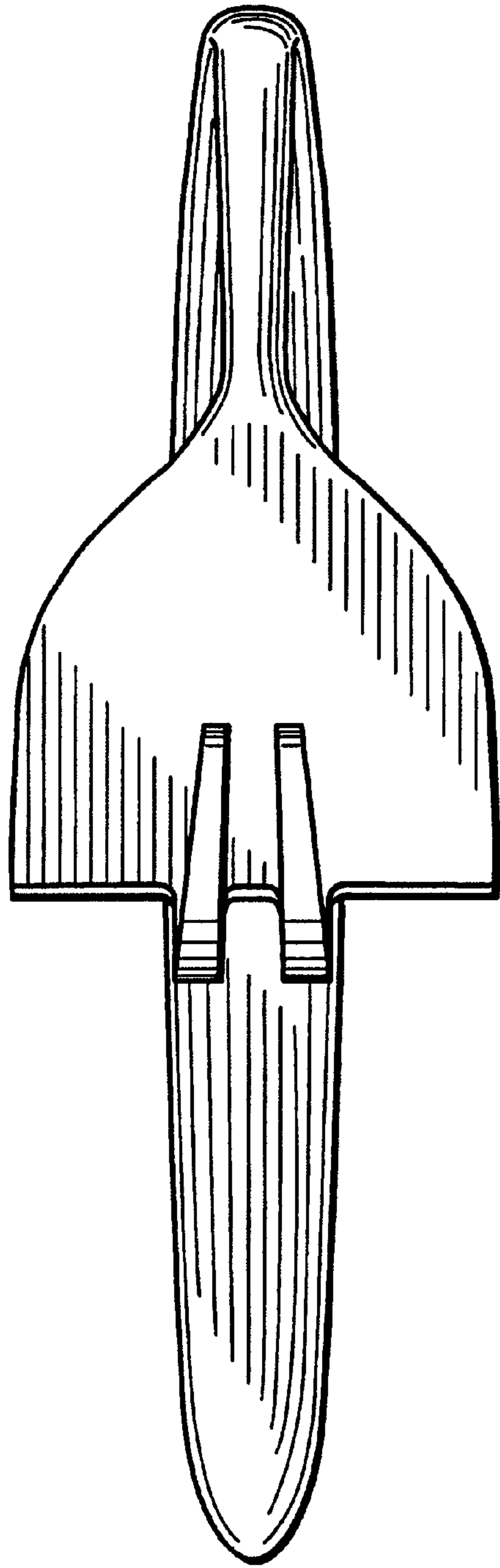




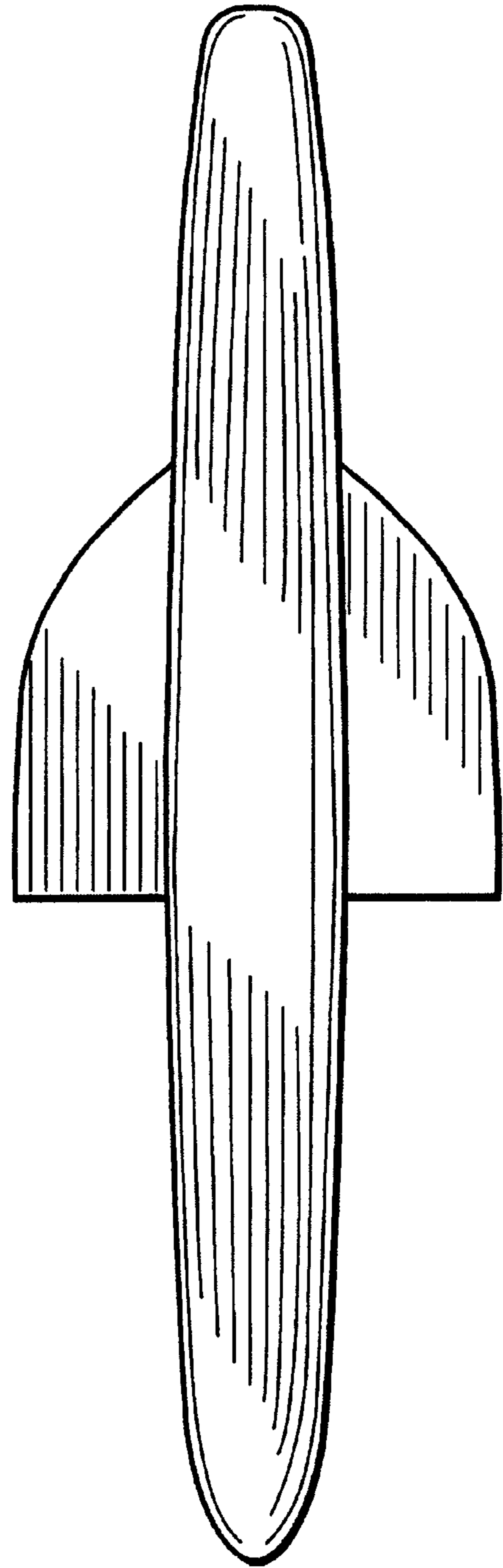
*Fig. 1*



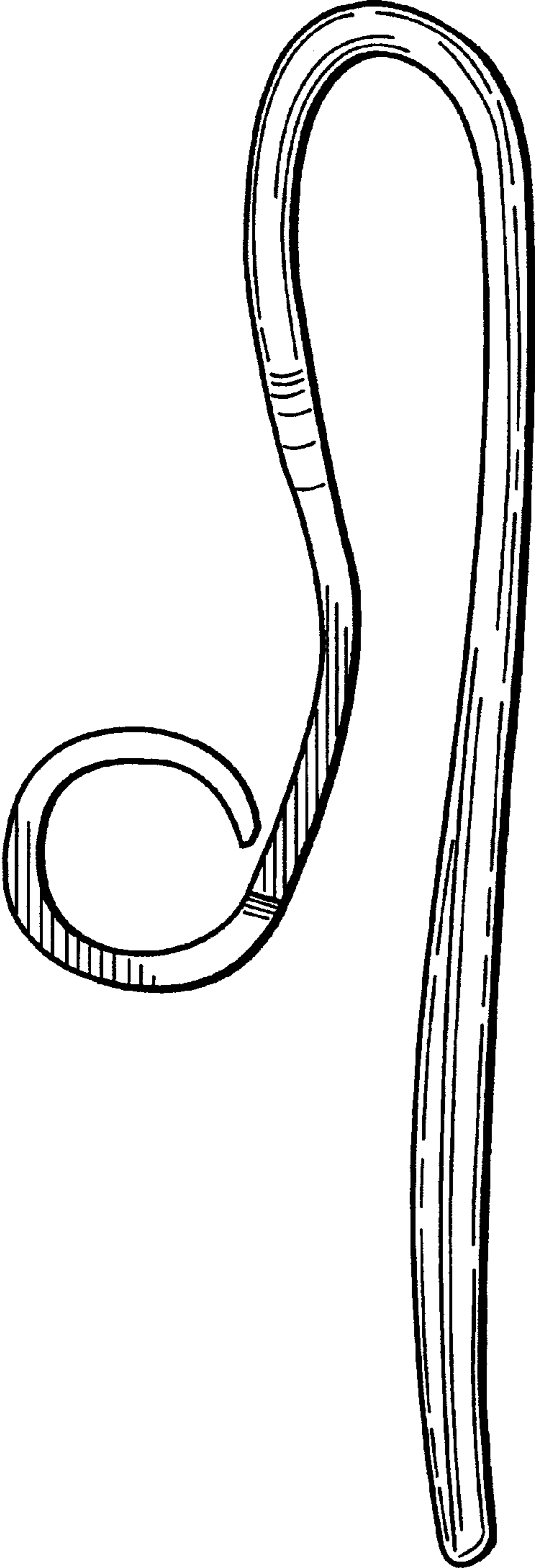
*Fig. 2*



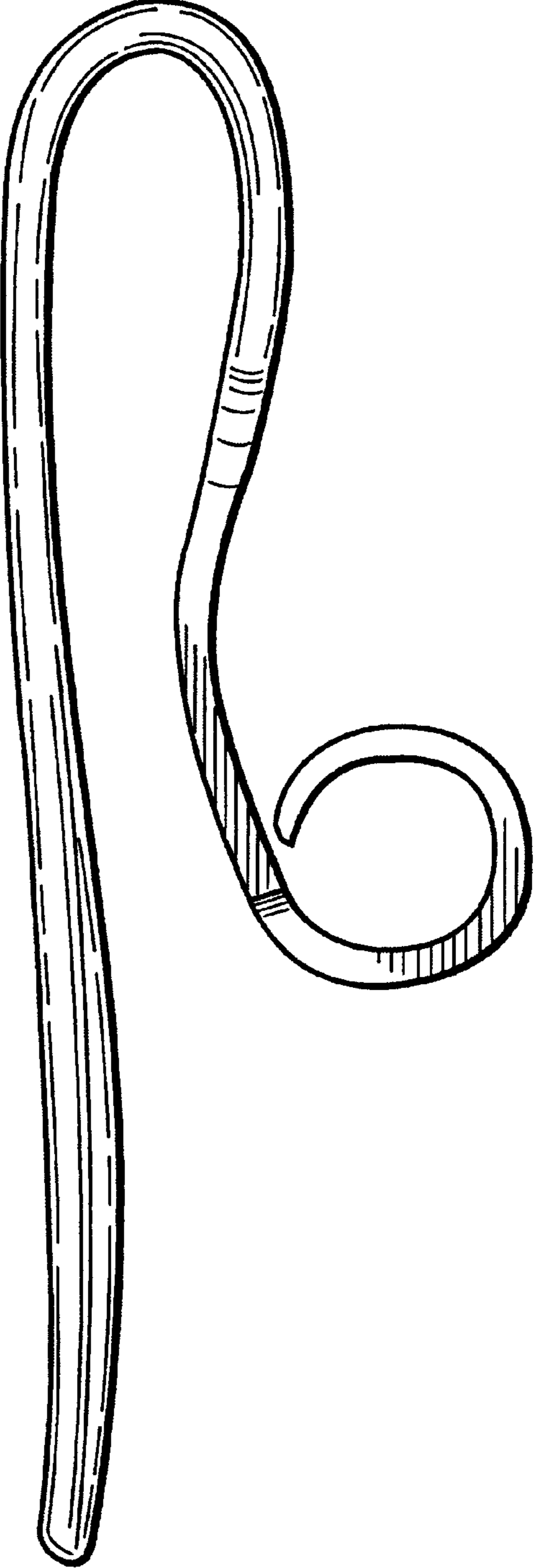
*Fig. 3*



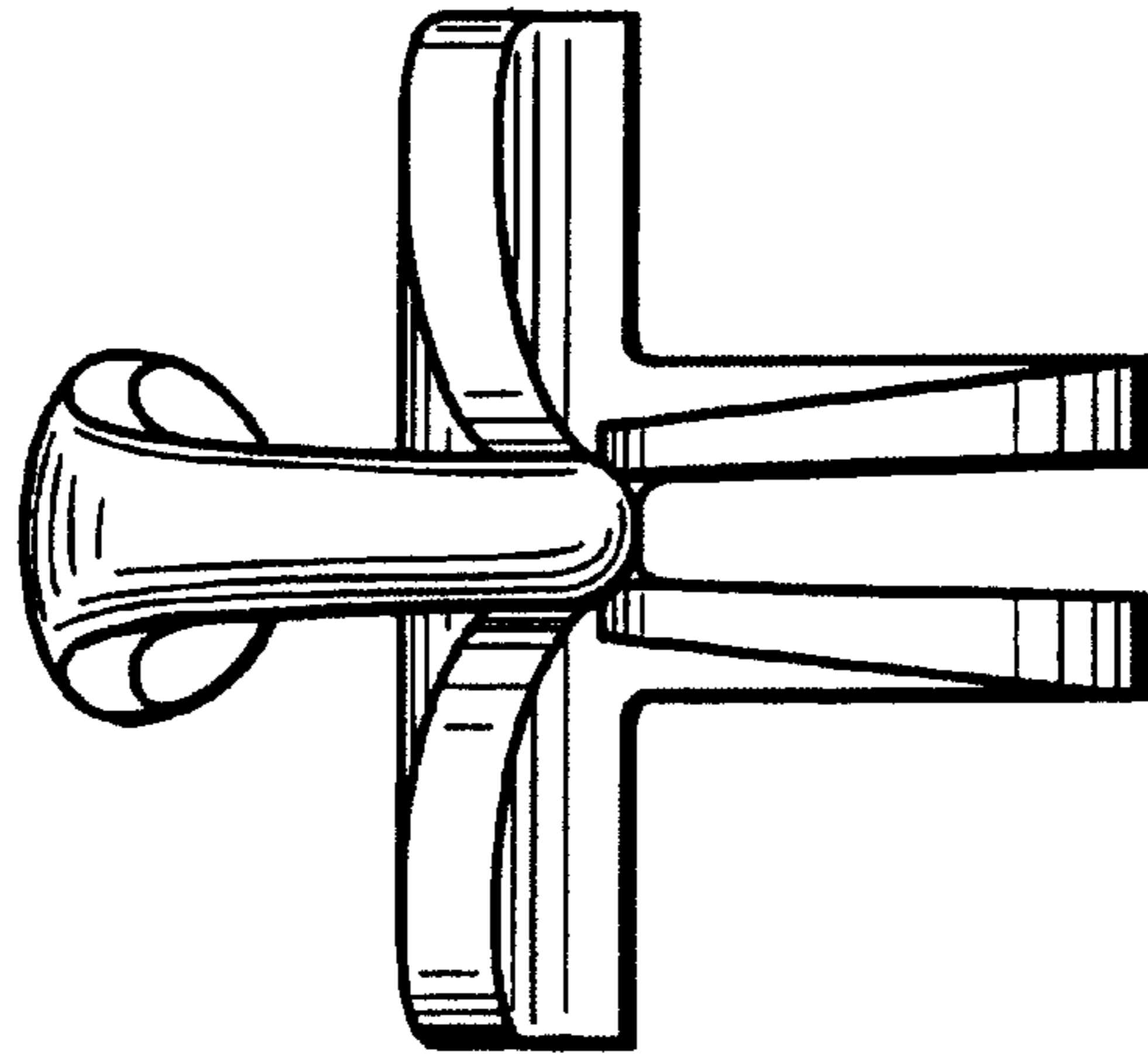
*Fig. 4*



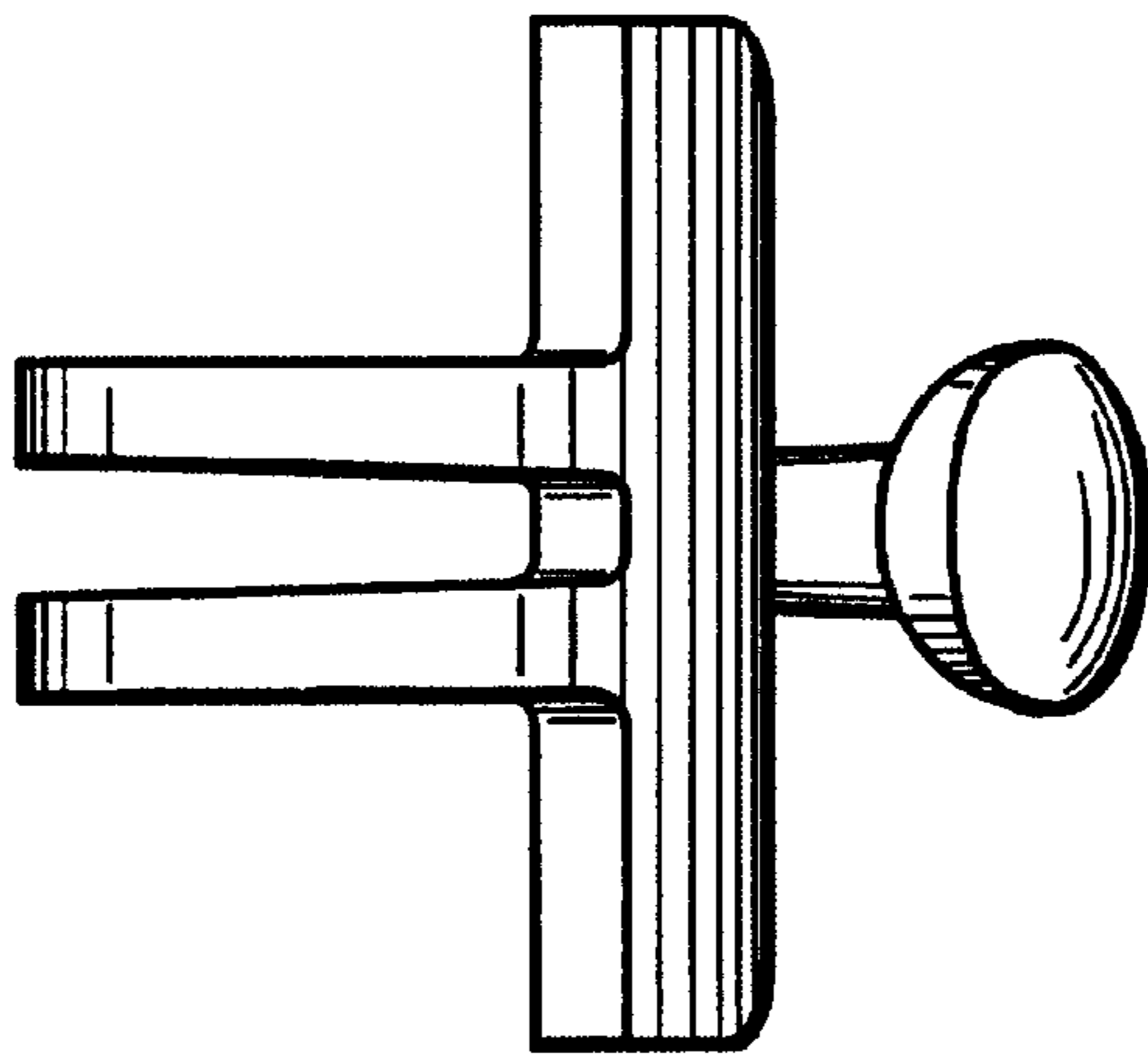
*Fig. 5*



*Fig. 6*



*Fig. 7*



*Fig. 8*