

US00D523235S

(12) **United States Design Patent**  
**Oas**

(10) **Patent No.:** **US D523,235 S**

(45) **Date of Patent:** **\*\* Jun. 20, 2006**

(54) **KEY RING**

(75) Inventor: **Daniel Oas**, Irwindale, CA (US)

(73) Assignee: **Calibre International, LLC**, Irwindale, CA (US)

(\*\*) Term: **14 Years**

(21) Appl. No.: **29/229,919**

(22) Filed: **May 12, 2005**

(51) **LOC (8) Cl.** ..... **03-01**

(52) **U.S. Cl.** ..... **D3/207**

(58) **Field of Classification Search** ..... D3/207-212;  
206/37.1, 38.1; 150/147; 70/456 R, 456 B,  
70/458-459; 24/3 K, 3.6; D16/100; D26/38  
See application file for complete search history.

(56) **References Cited**

**U.S. PATENT DOCUMENTS**

D250,006 S \* 10/1978 Kleiner ..... D11/79  
D380,896 S \* 7/1997 Grant ..... D3/208  
D431,355 S \* 10/2000 Boyd, Jr. .... D3/209

D455,006 S \* 4/2002 Pinchuk ..... D3/209  
D458,017 S \* 6/2002 Yehudai ..... D3/209  
D475,195 S \* 6/2003 Christianson ..... D3/209  
D478,720 S \* 8/2003 Lo ..... D3/209  
D489,889 S \* 5/2004 Zhang ..... D3/209

\* cited by examiner

*Primary Examiner*—Ralf Seifert

(74) *Attorney, Agent, or Firm*—The Soni Law Firm

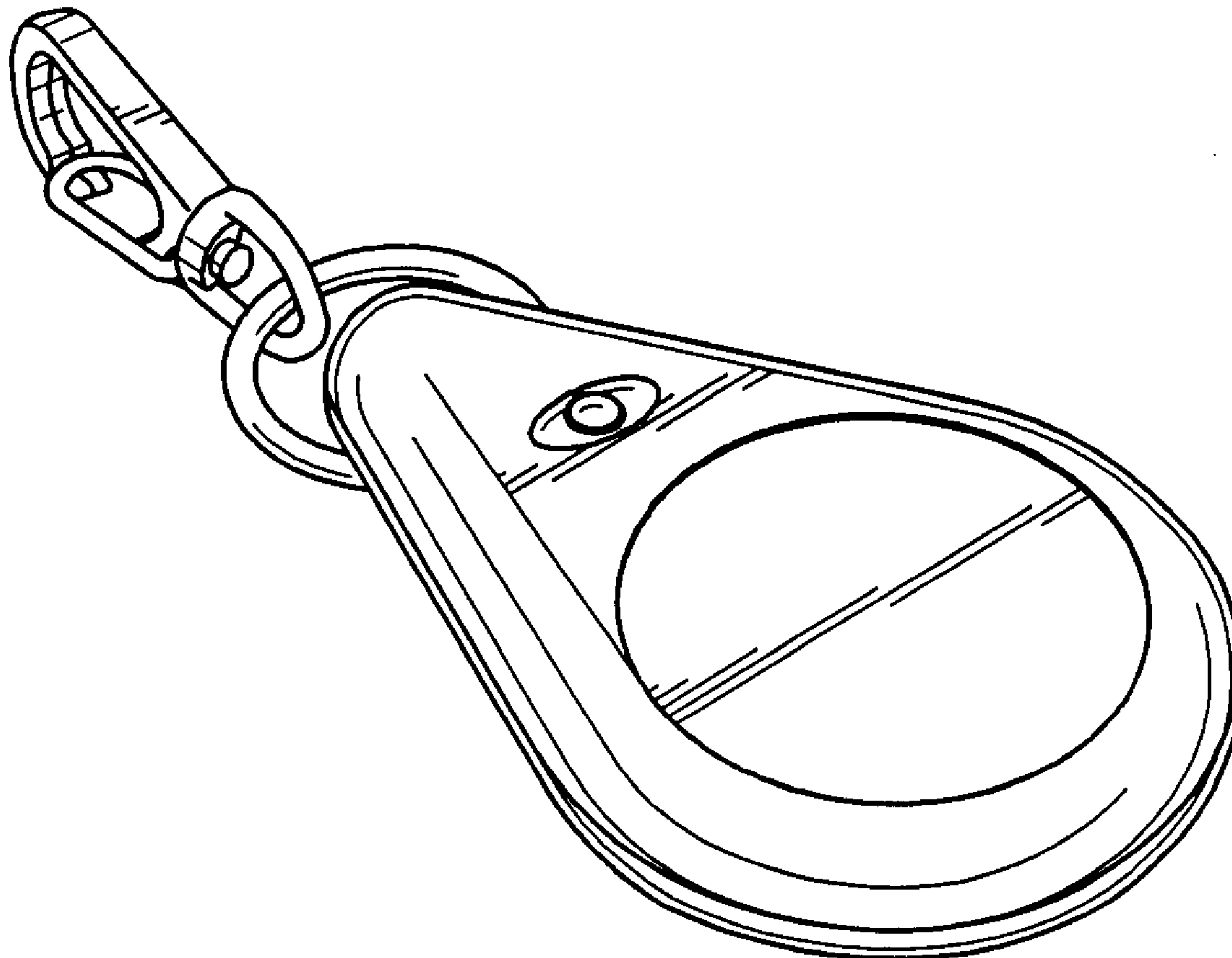
(57) **CLAIM**

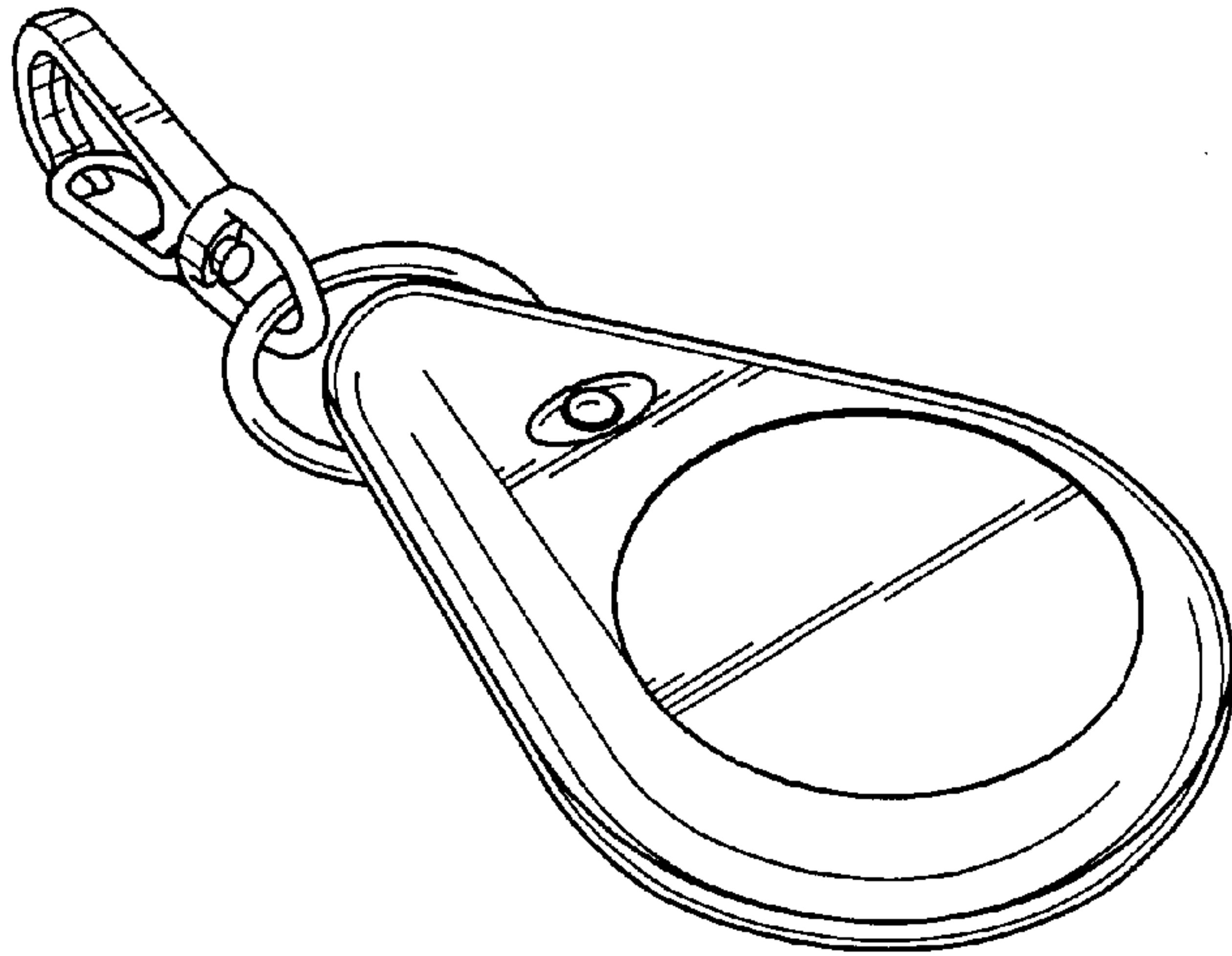
The ornamental design for a key ring, as shown and described.

**DESCRIPTION**

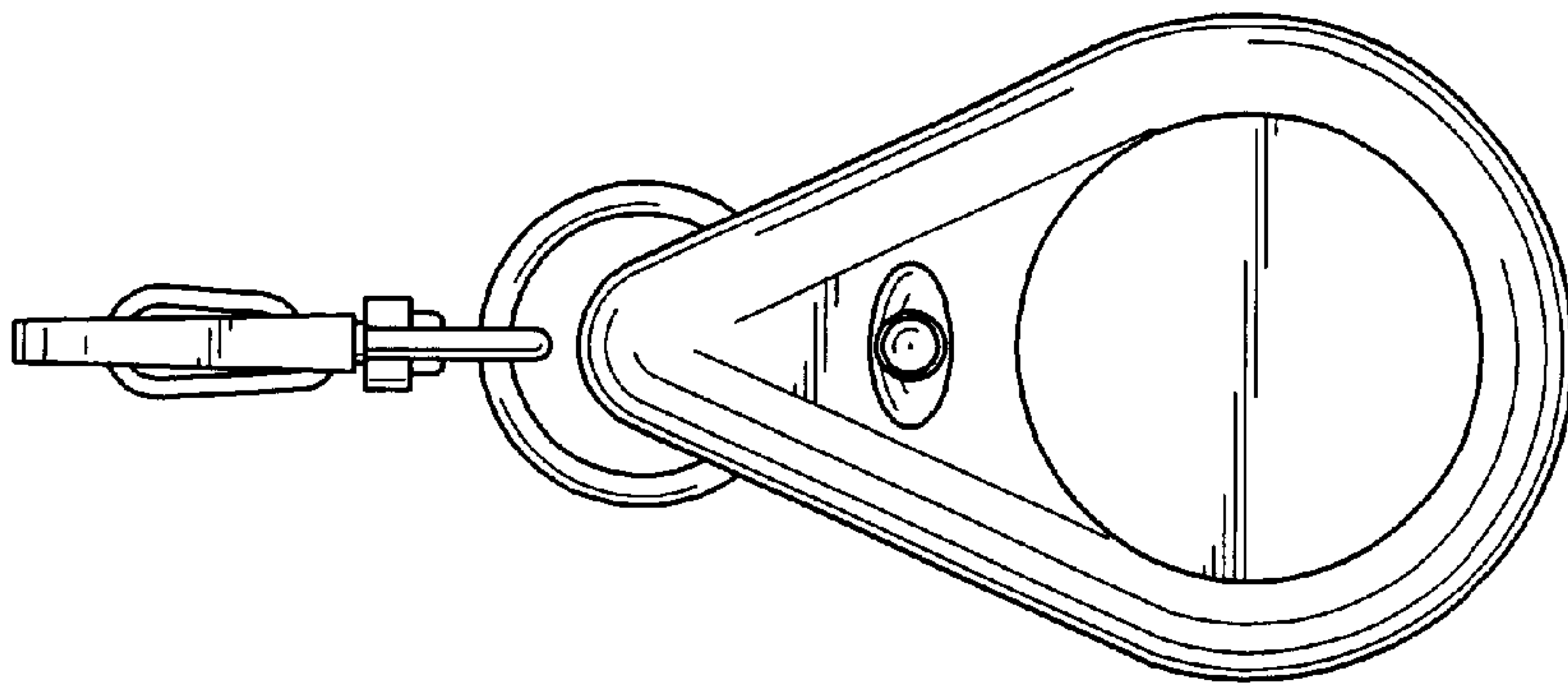
FIG. 1 is a front perspective view of a key ring;  
FIG. 2 is a front view of the key ring of FIG. 1;  
FIG. 3 is a left side view of the key ring of FIG. 1;  
FIG. 4 is a right side view of the key ring of FIG. 1;  
FIG. 5 is a top plan view of the key ring of FIG. 1;  
FIG. 6 is a bottom plan view of the key ring of FIG. 1; and,  
FIG. 7 is a rear view of the key ring of FIG. 1.

**1 Claim, 2 Drawing Sheets**

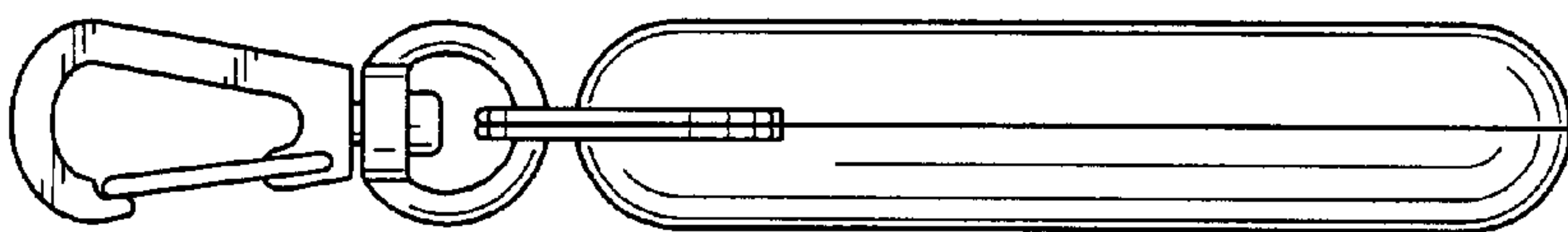




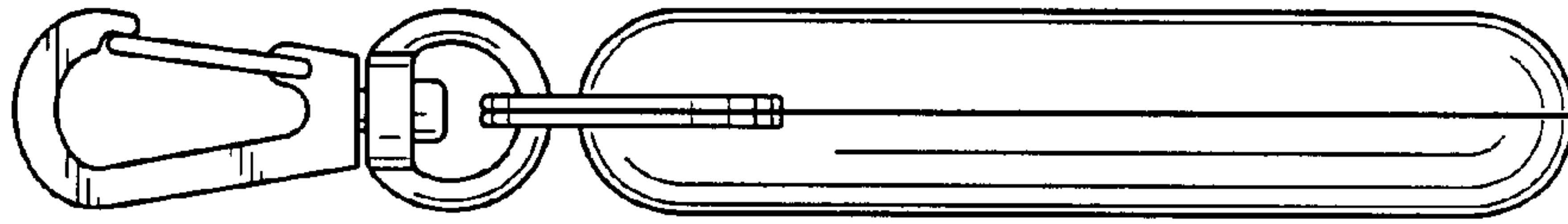
*FIG. 1*



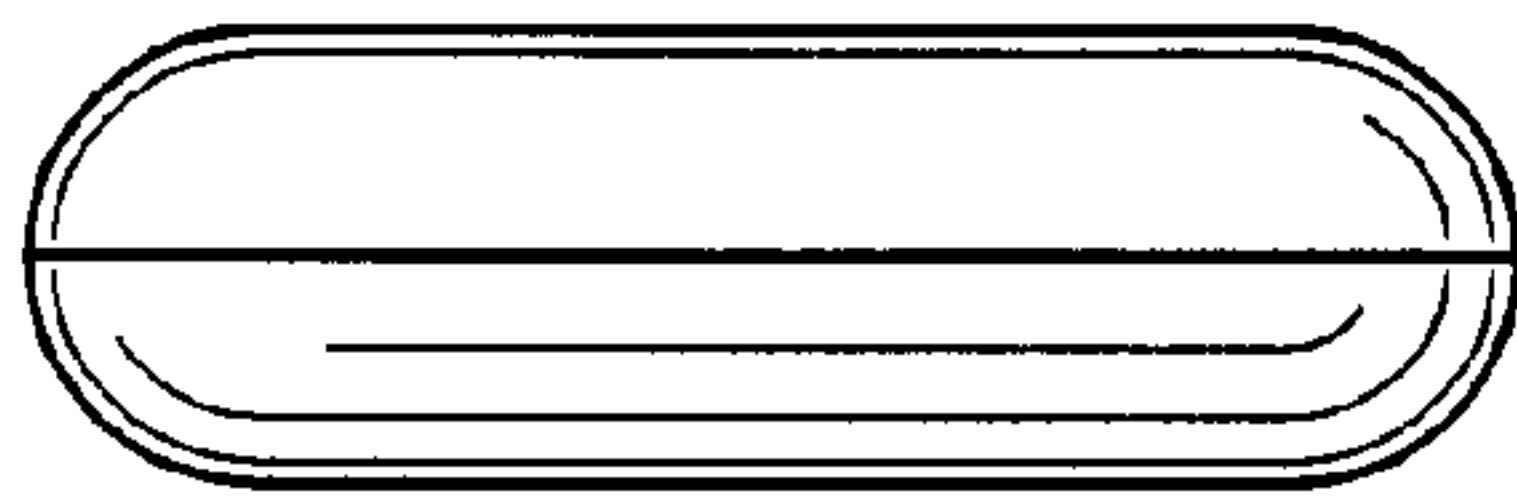
*FIG. 2*



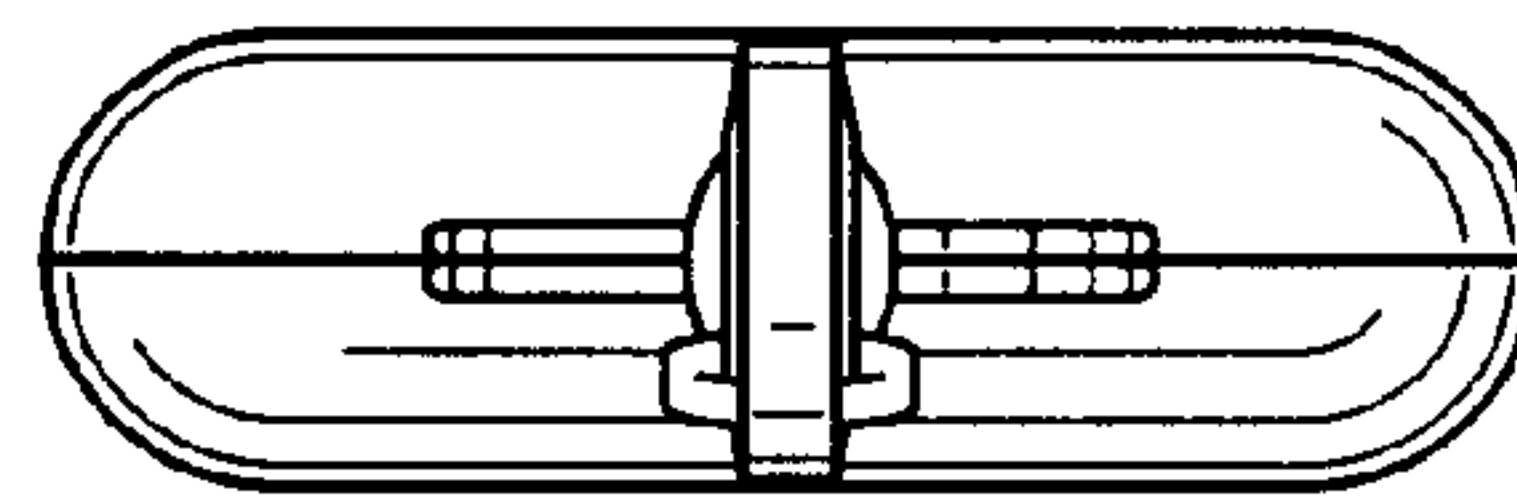
*FIG. 3*



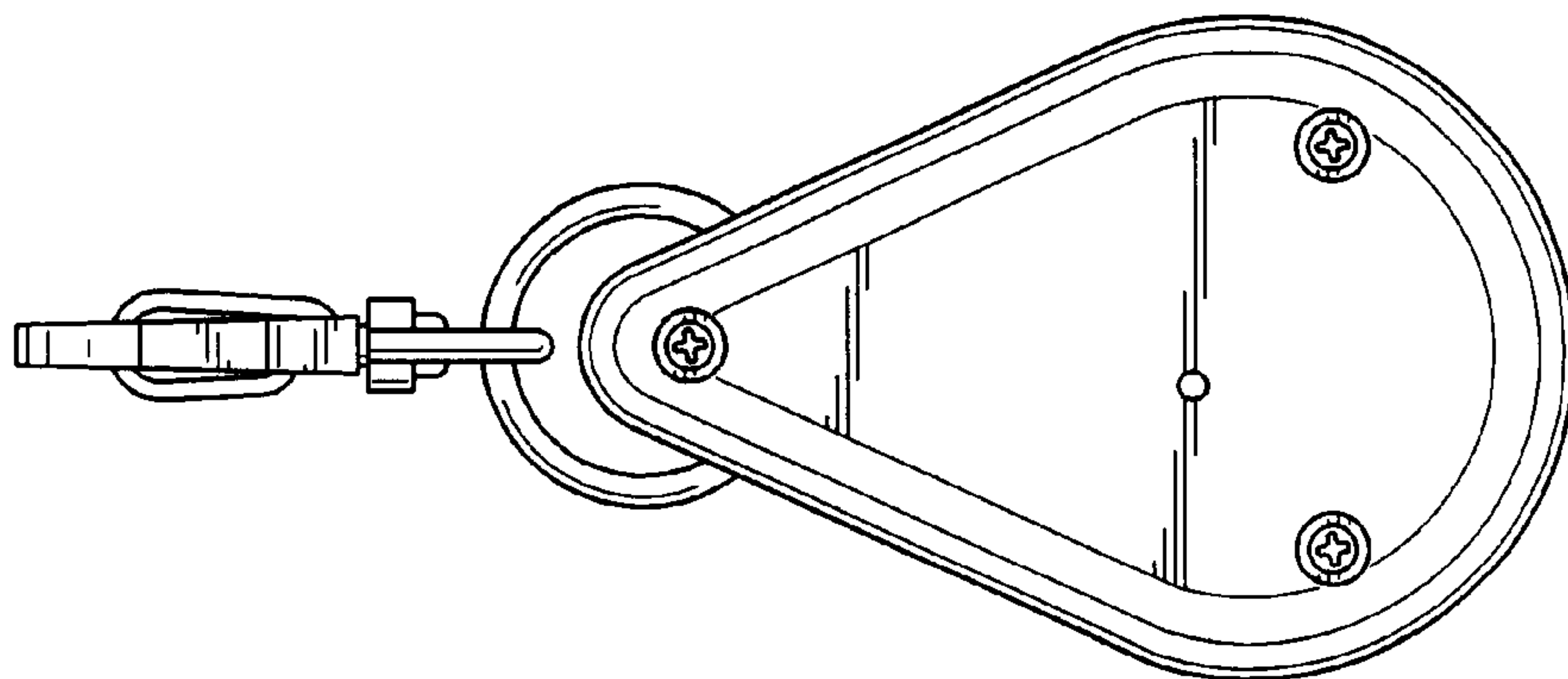
*FIG. 4*



*FIG. 5*



*FIG. 6*



*FIG. 7*