



US00D523209S

(12) **United States Design Patent**
Heikaus

(10) **Patent No.:** **US D523,209 S**

(45) **Date of Patent:** **** Jun. 13, 2006**

(54) **PACKING MACHINE**

(75) Inventor: **Gerd Heikaus**, Nuembrecht (DE)

(73) Assignee: **Illinois Tool Works Inc.**, Glenview, IL (US)

(**) Term: **14 Years**

(21) Appl. No.: **29/203,639**

(22) Filed: **Apr. 19, 2004**

(30) **Foreign Application Priority Data**

Oct. 20, 2003 (EP) 000092341

(51) **LOC (8) Cl.** **12-05**

(52) **U.S. Cl.** **D34/34**

(58) **Field of Classification Search** D34/33,
D34/34, 35; 180/19.1, 214; 187/231, 222,
187/414

See application file for complete search history.

(56) **References Cited**

U.S. PATENT DOCUMENTS

3,187,829	A	*	6/1965	Ulinski	180/19.1
D222,670	S	*	11/1971	Goodacre et al.	D34/34
D222,694	S	*	12/1971	Goodacre	D34/34
4,669,561	A	*	6/1987	Sheen	180/19.1
4,921,385	A	*	5/1990	Okuno	414/21
5,174,415	A	*	12/1992	Neagle et al.	187/234
D348,759	S	*	7/1994	Bhambra	D34/34
D370,761	S	*	6/1996	Stark	D34/34
D373,887	S	*	9/1996	Soederberg	D34/34
D386,876	S	*	11/1997	Niebuhr	D34/34
D408,958	S	*	4/1999	Schneider	D34/28
D416,369	S	*	11/1999	Johansson	D34/28
D419,741	S	*	1/2000	Johansson	D34/28

6,125,971	A	*	10/2000	Niebuhr et al.	187/231
D447,612	S	*	9/2001	Niebuhr	D34/34
D464,785	S	*	10/2002	Gallagher	D34/35
6,766,882	B1	*	7/2004	Lohmann	187/231

* cited by examiner

Primary Examiner—Cynthia E. Ramirez

(74) *Attorney, Agent, or Firm*—Lowe Hauptman & Berner, LLP

(57) **CLAIM**

The ornamental design for a packing machine, as shown and described.

DESCRIPTION

FIG. 1 is a front perspective view of a packing machine in accordance with the design;

FIG. 2 is an enlarged portion of the rear perspective view of the packing machine in FIG. 1;

FIG. 3 is a detailed portion of the front perspective view of the packing machine in FIG. 1;

FIG. 4 is a detailed portion of the rear perspective view of the packing machine in FIG. 1;

FIG. 5 is a left side plan view of the packing machine in FIG. 1;

FIG. 6 is a right side plan view of the packing machine in FIG. 1;

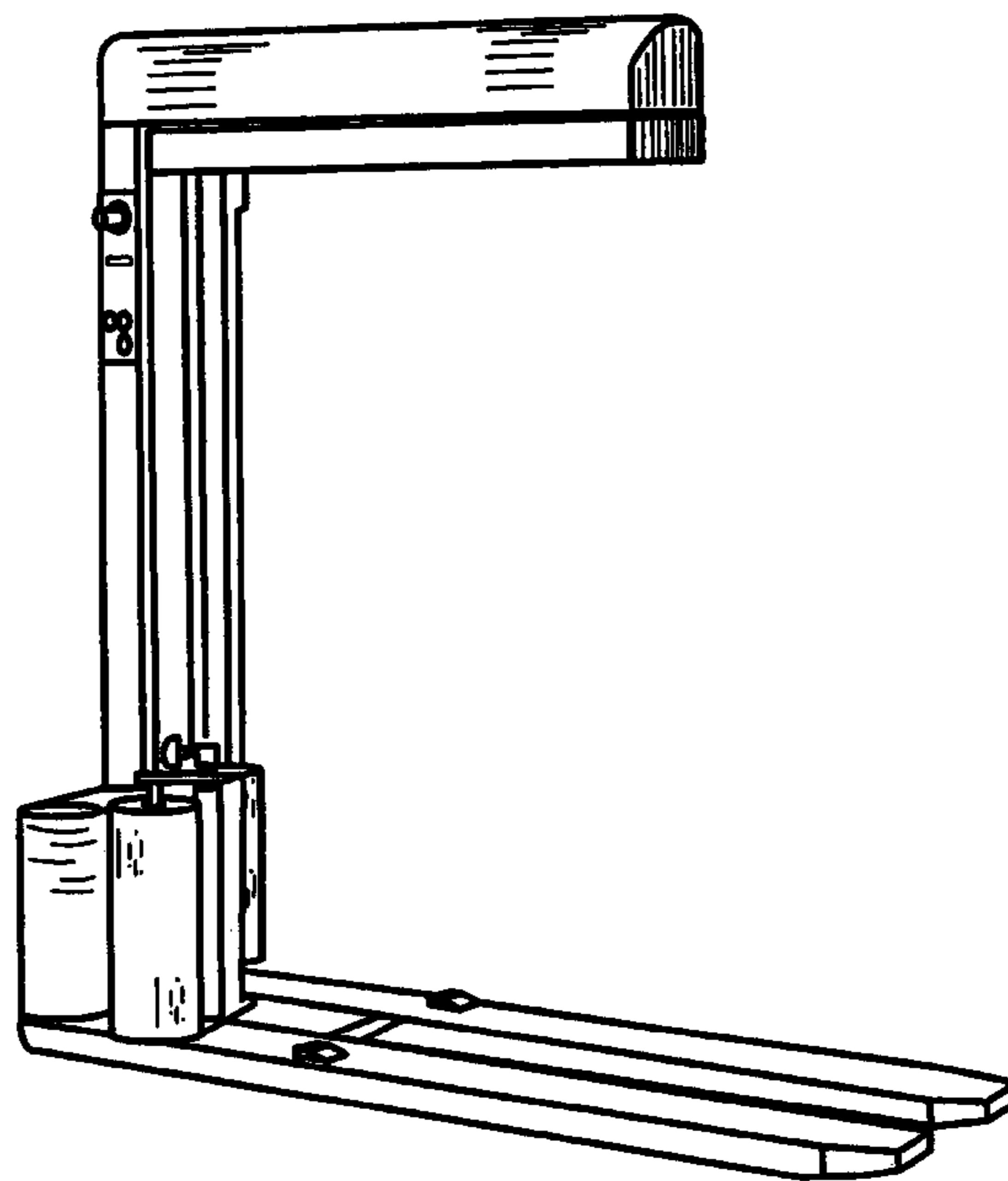
FIG. 7 is a front plan view of the packing machine in FIG. 1;

FIG. 8 is a rear plan view of the packing machine in FIG. 1;

FIG. 9 is a top plan view of the packing machine in FIG. 1; and,

FIG. 10 is a bottom plan view of the packing machine in FIG. 1.

1 Claim, 10 Drawing Sheets



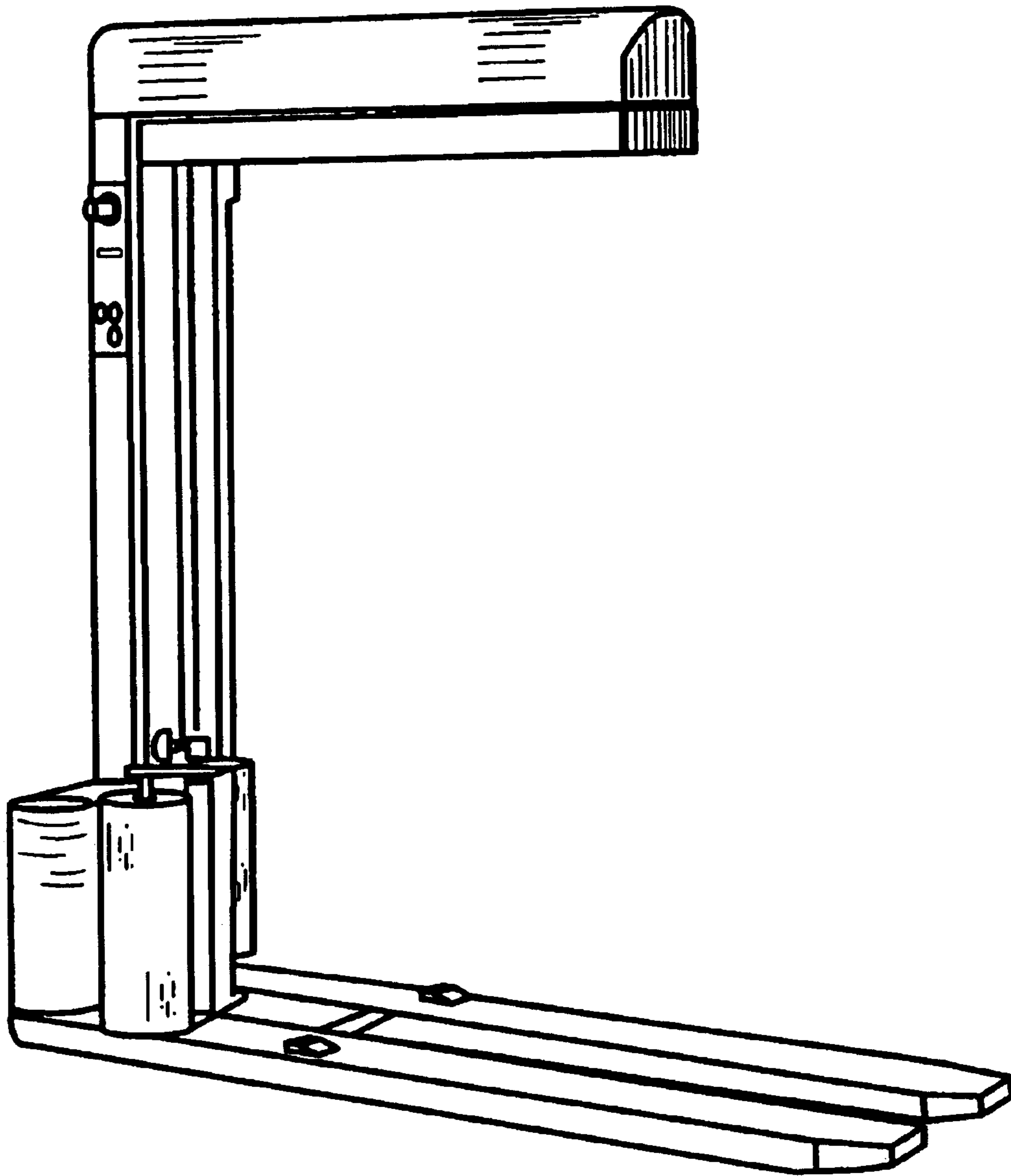


FIGURE 1

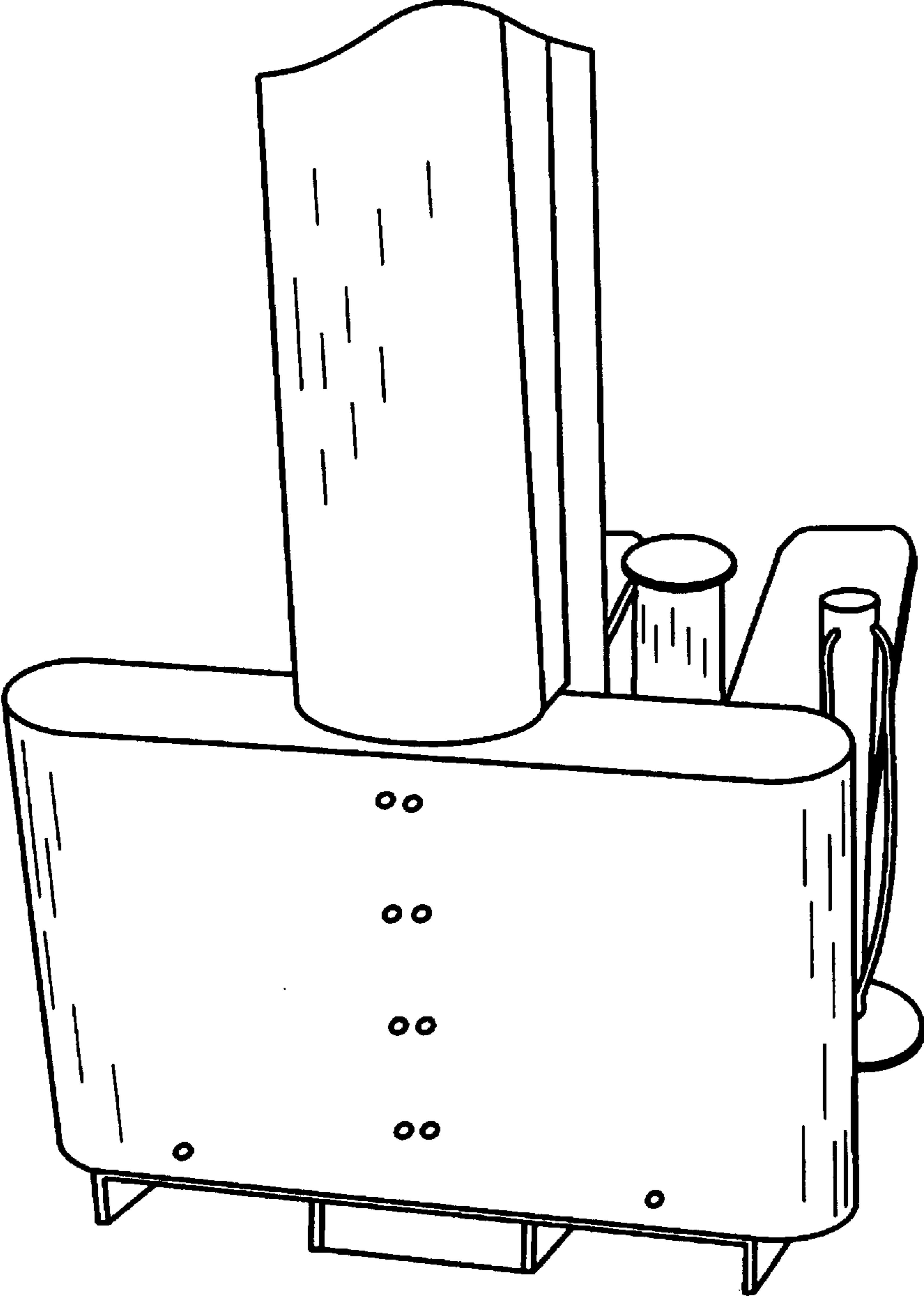


FIGURE 2

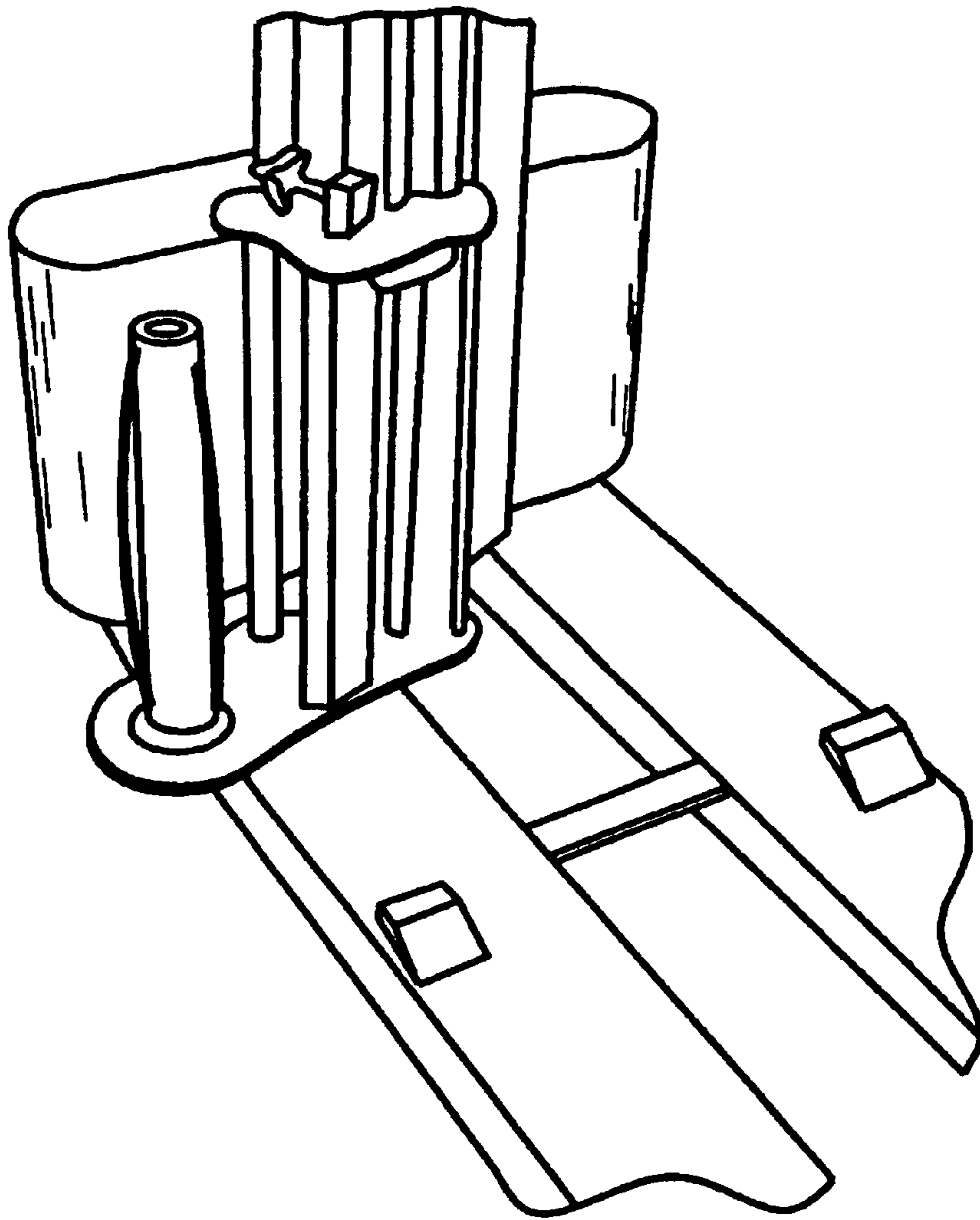


FIGURE 3

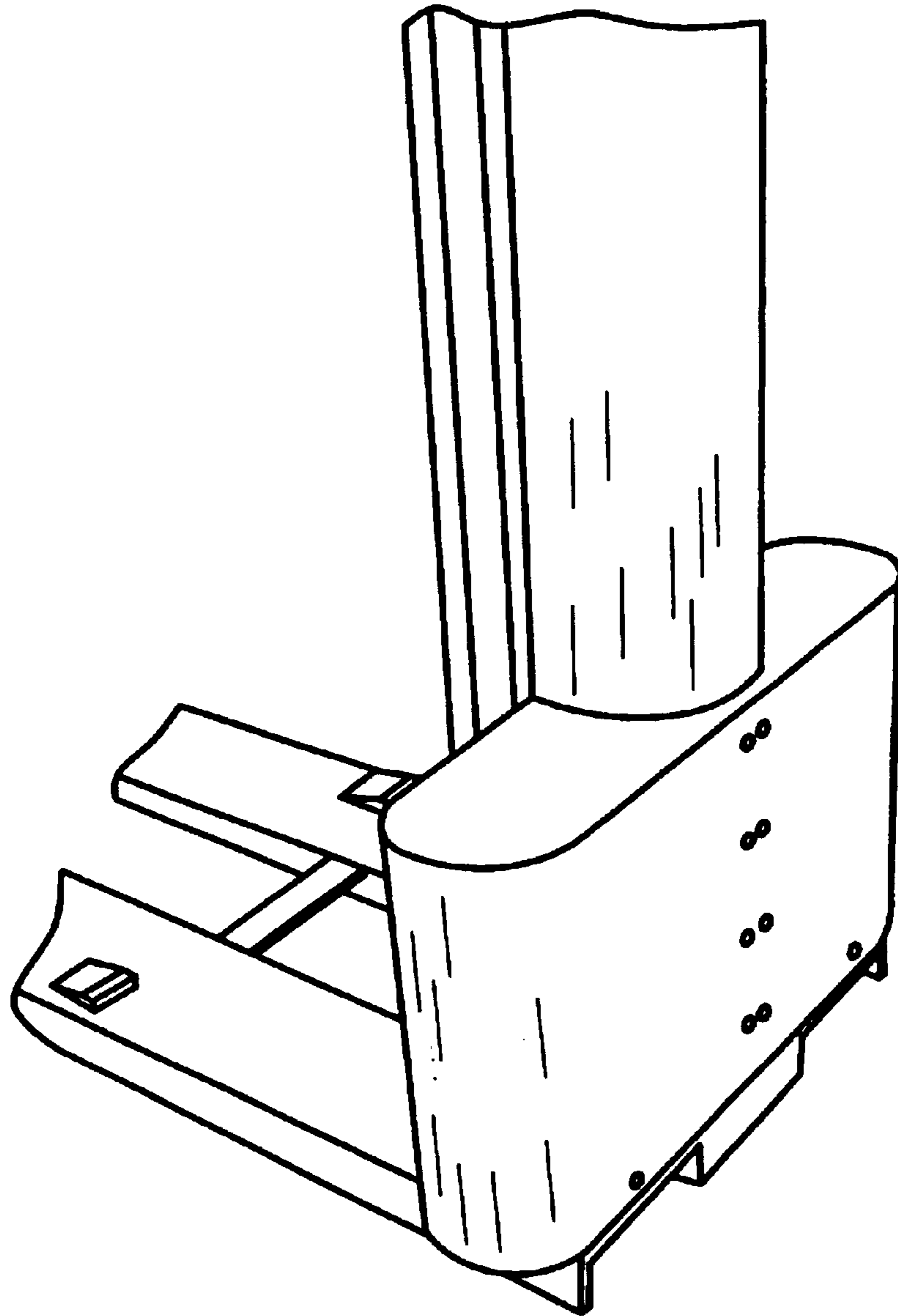


FIGURE 4

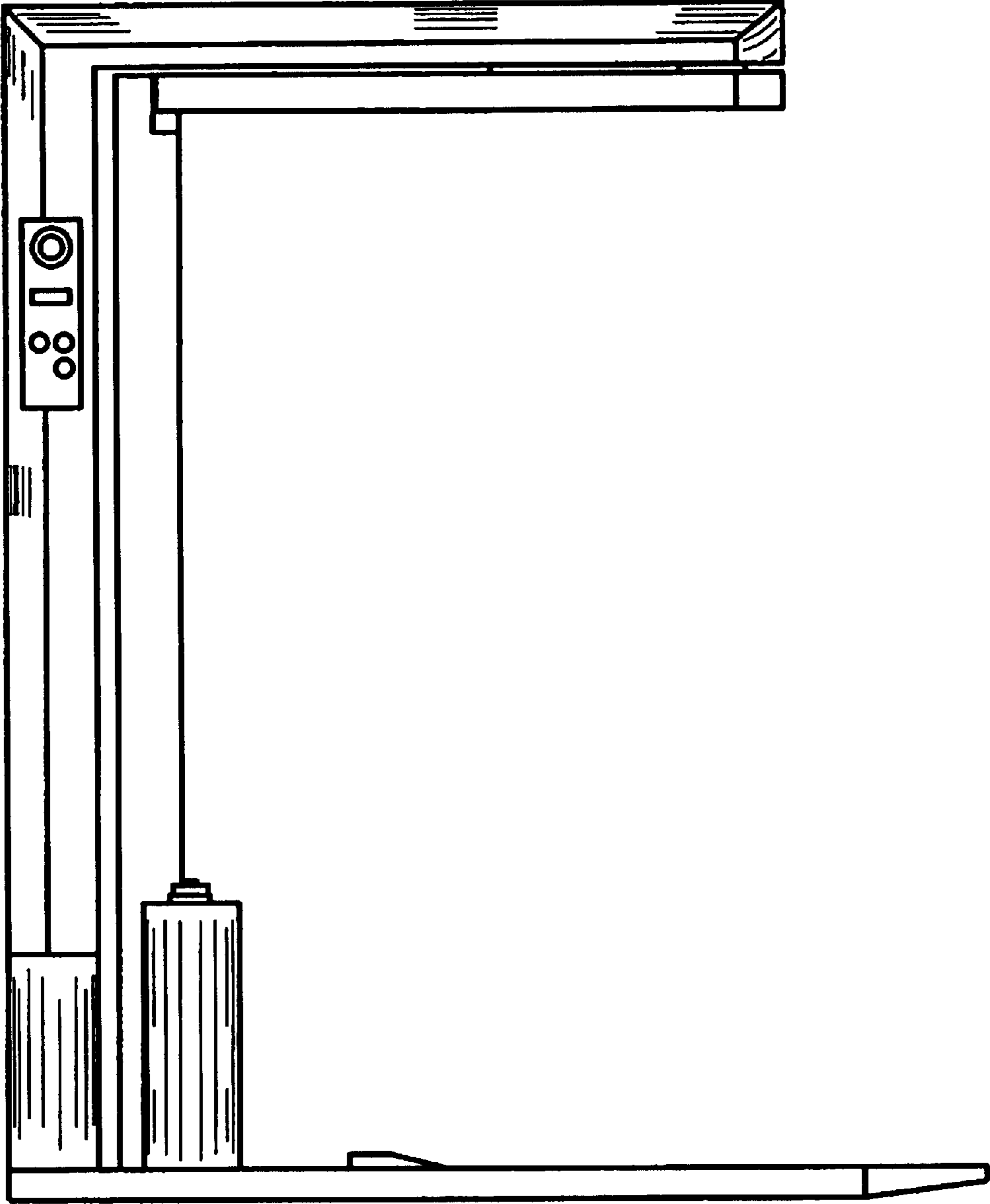


FIGURE 5

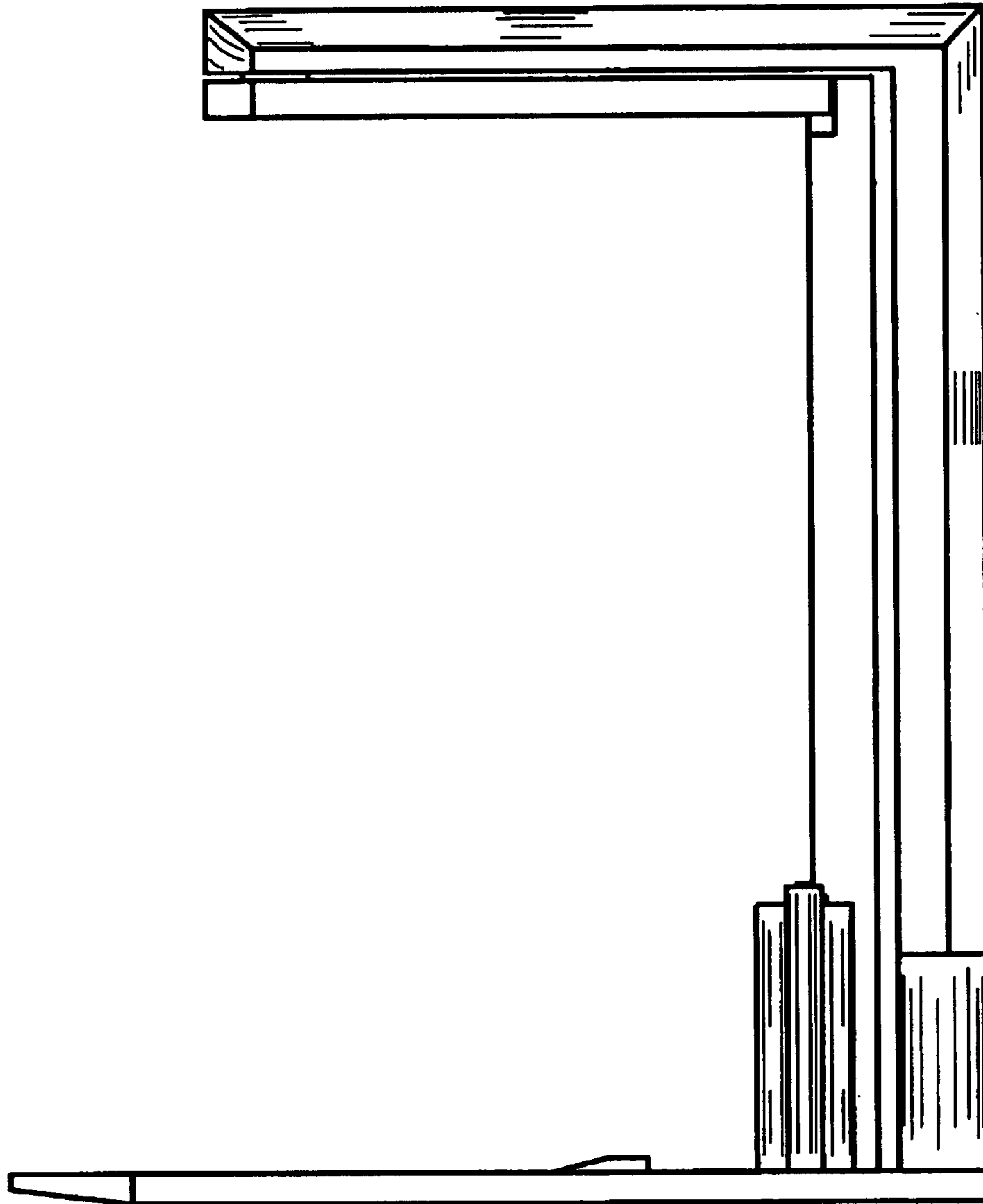


FIGURE 6

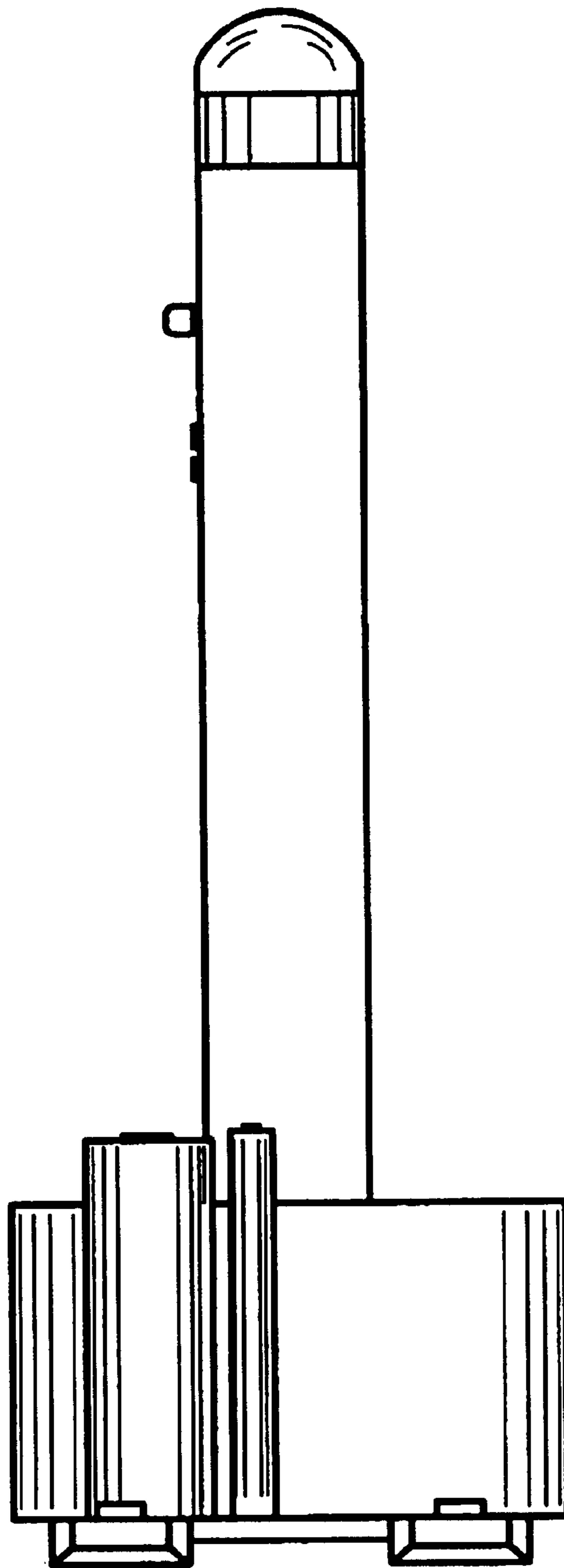


FIGURE 7

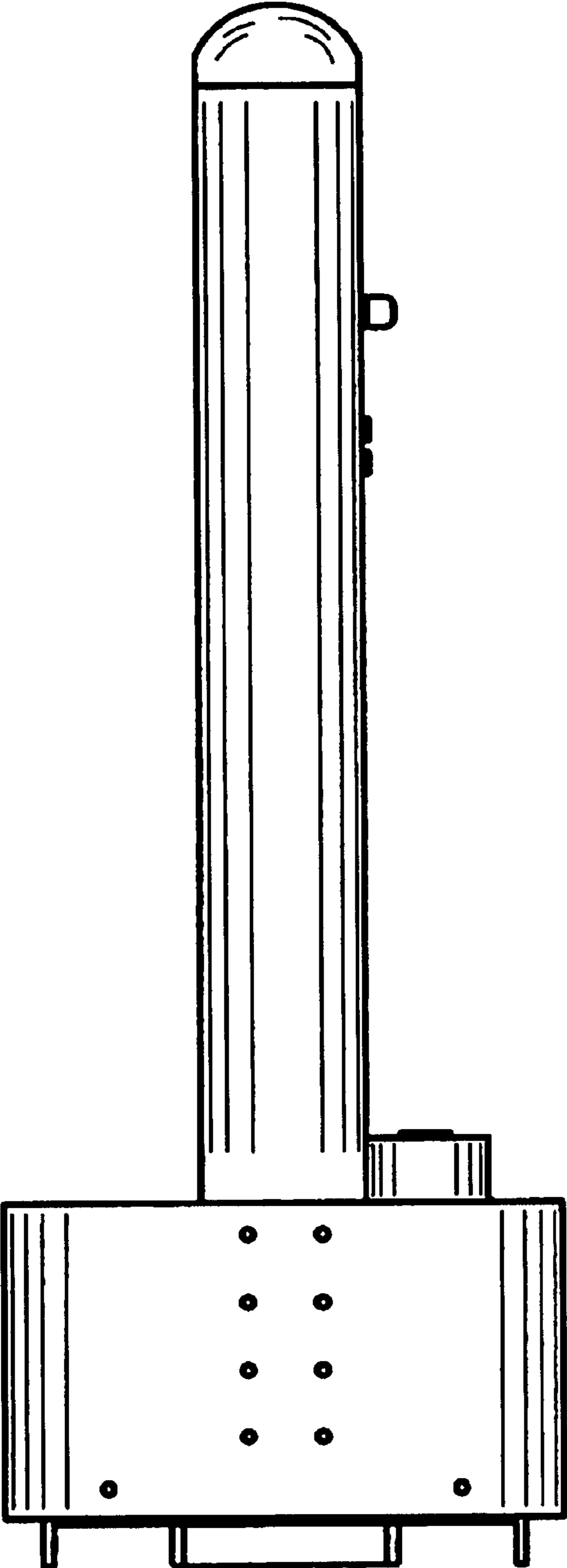


FIGURE 8

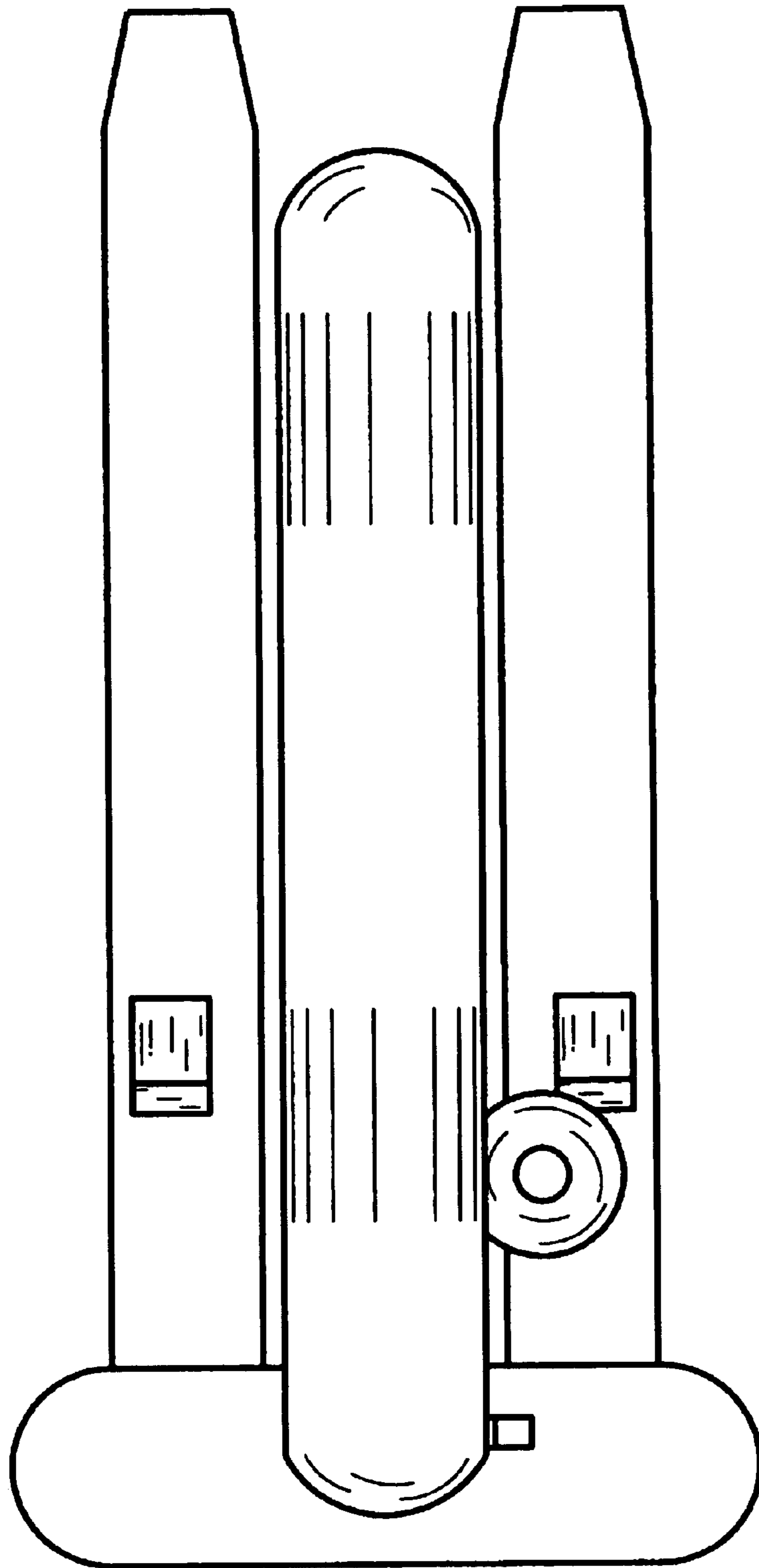


FIGURE 9

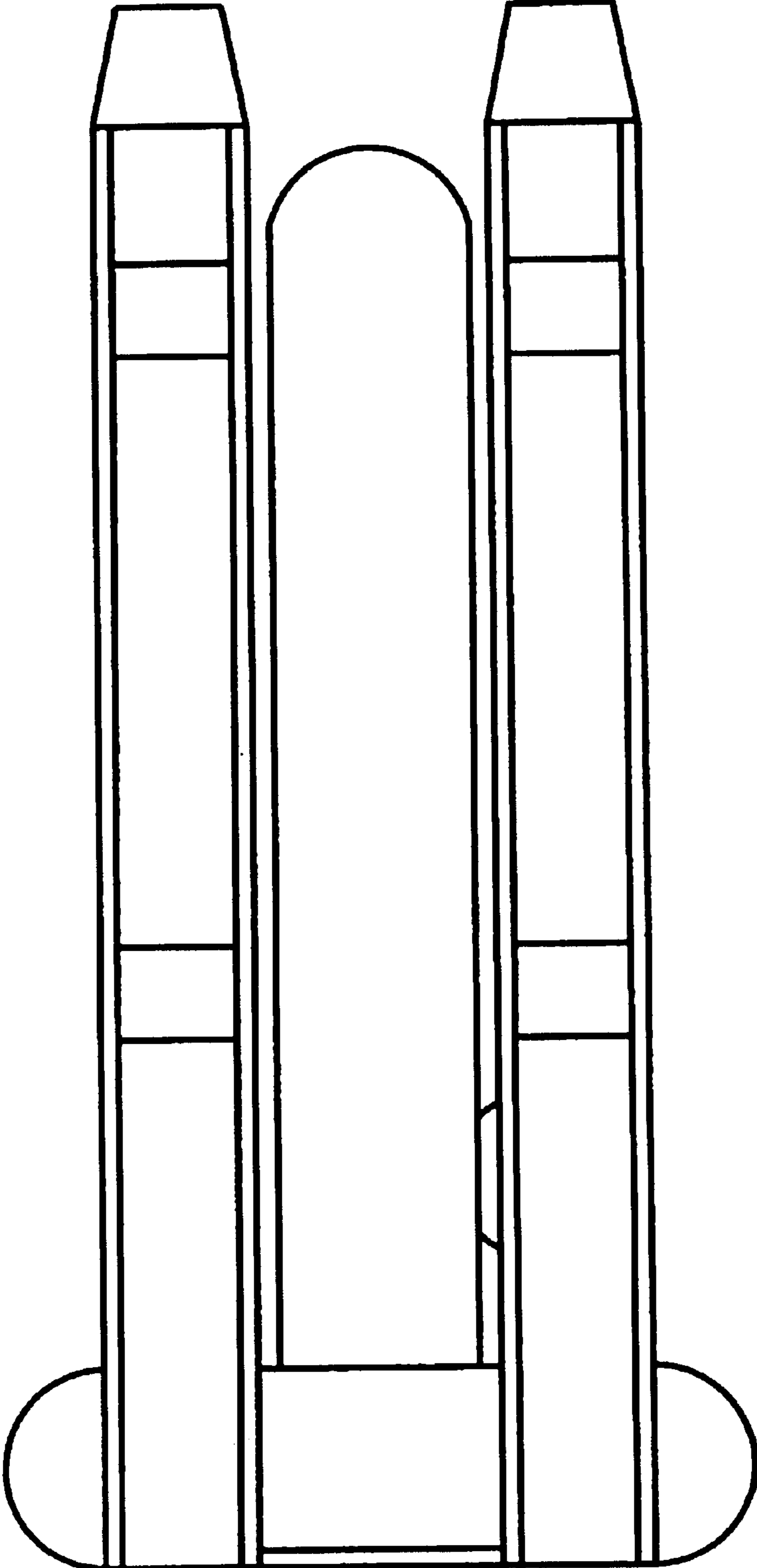


FIGURE 10