



US00D523208S

(12) **United States Design Patent**
Inglis

(10) **Patent No.:** **US D523,208 S**
(45) **Date of Patent:** **** Jun. 13, 2006**

(54) **WINDLASS**

D475,499 S * 6/2003 Hodge D34/33

(75) Inventor: **Peter Inglis**, Glasgow (GB)

OTHER PUBLICATIONS

(73) Assignee: **Lewmar Limited**, Hampshire (GB)

“Marine Equipment for Sail and Power Boats”, “Windlass & Anchor Section”. Lewmar Catalogue Issue 1. Lewmar Ltd, Havant, Hampshire, UK, pp. i-iv and 1-36 (2001).

(**) Term: **14 Years**

* cited by examiner

(21) Appl. No.: **29/211,259**

Primary Examiner—Cynthia E. Ramirez

(22) Filed: **Aug. 13, 2004**

(74) *Attorney, Agent, or Firm*—Buchanan Ingersoll PC

(30) **Foreign Application Priority Data**

Feb. 13, 2004 (EM) 145271

(57) **CLAIM**

(51) **LOC (8) Cl.** **12-05**

The ornamental design for a windlass, as shown and described.

(52) **U.S. Cl.** **D34/33**

DESCRIPTION

(58) **Field of Classification Search** D34/28,

D34/33; 254/264, 266, 386, 374, 356

See application file for complete search history.

FIG. 1 is a top, left and front perspective view of a windlass showing my new design.

FIG. 2 is a top, right and front perspective view thereof.

FIG. 3 is a top, left, and rear perspective view thereof.

FIG. 4 is a top, right, and rear perspective view thereof.

FIG. 5 is a left perspective view thereof.

FIG. 6 is a front elevational view thereof.

FIG. 7 is a rear elevational view thereof.

FIG. 8 is a right elevational view thereof; and,

FIG. 9 is a top plan view thereof.

(56) **References Cited**

U.S. PATENT DOCUMENTS

D304,119 S * 10/1989 Lyall et al. D34/33

D364,027 S * 11/1995 Hung D34/33

5,573,091 A * 11/1996 Hung 192/12 R

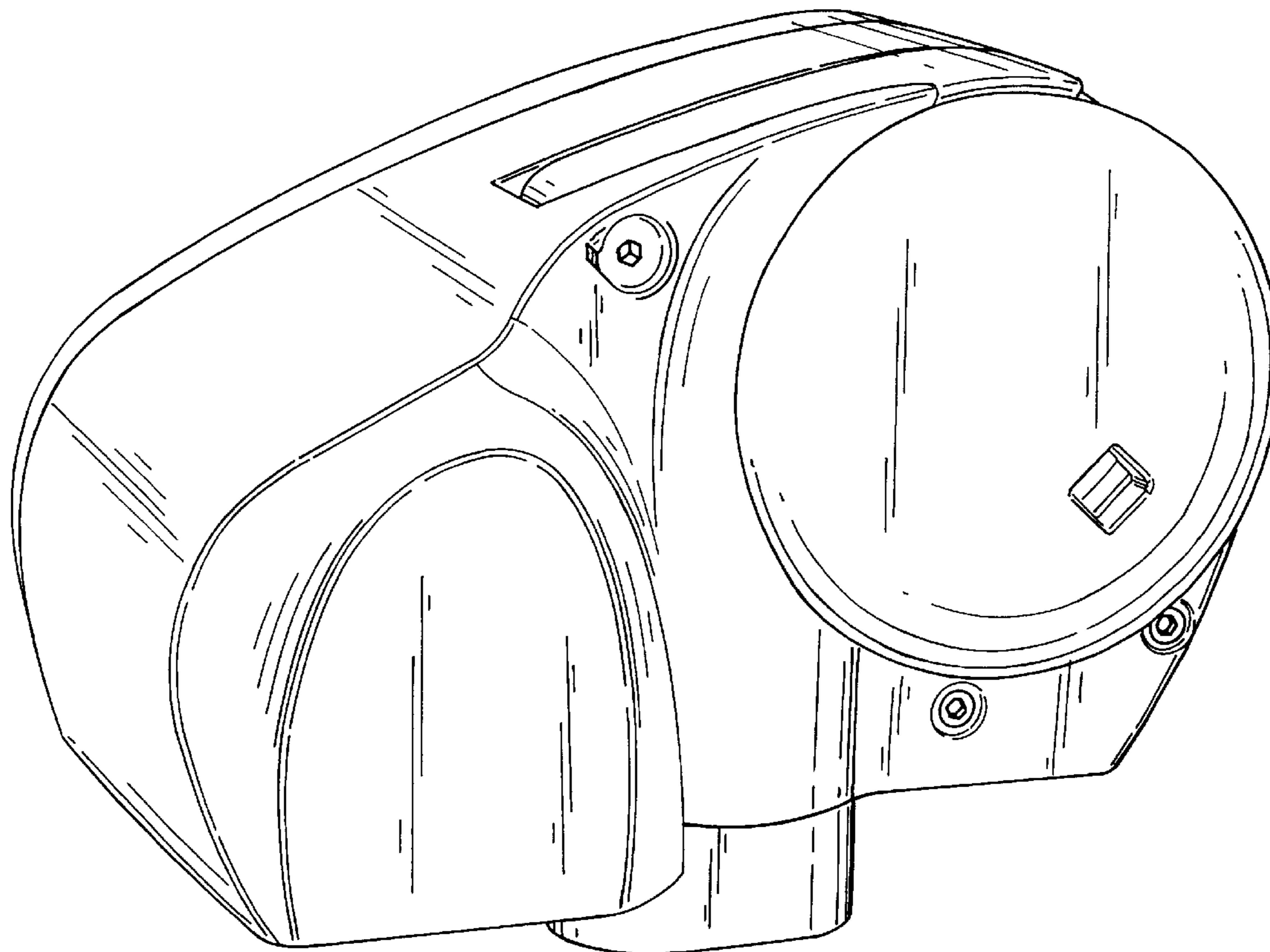
D427,408 S * 6/2000 Daniels et al. D34/33

D438,358 S * 2/2001 Huang D34/33

D439,722 S * 3/2001 Huang D34/33

D459,048 S * 6/2002 Leemans D34/33

1 Claim, 9 Drawing Sheets



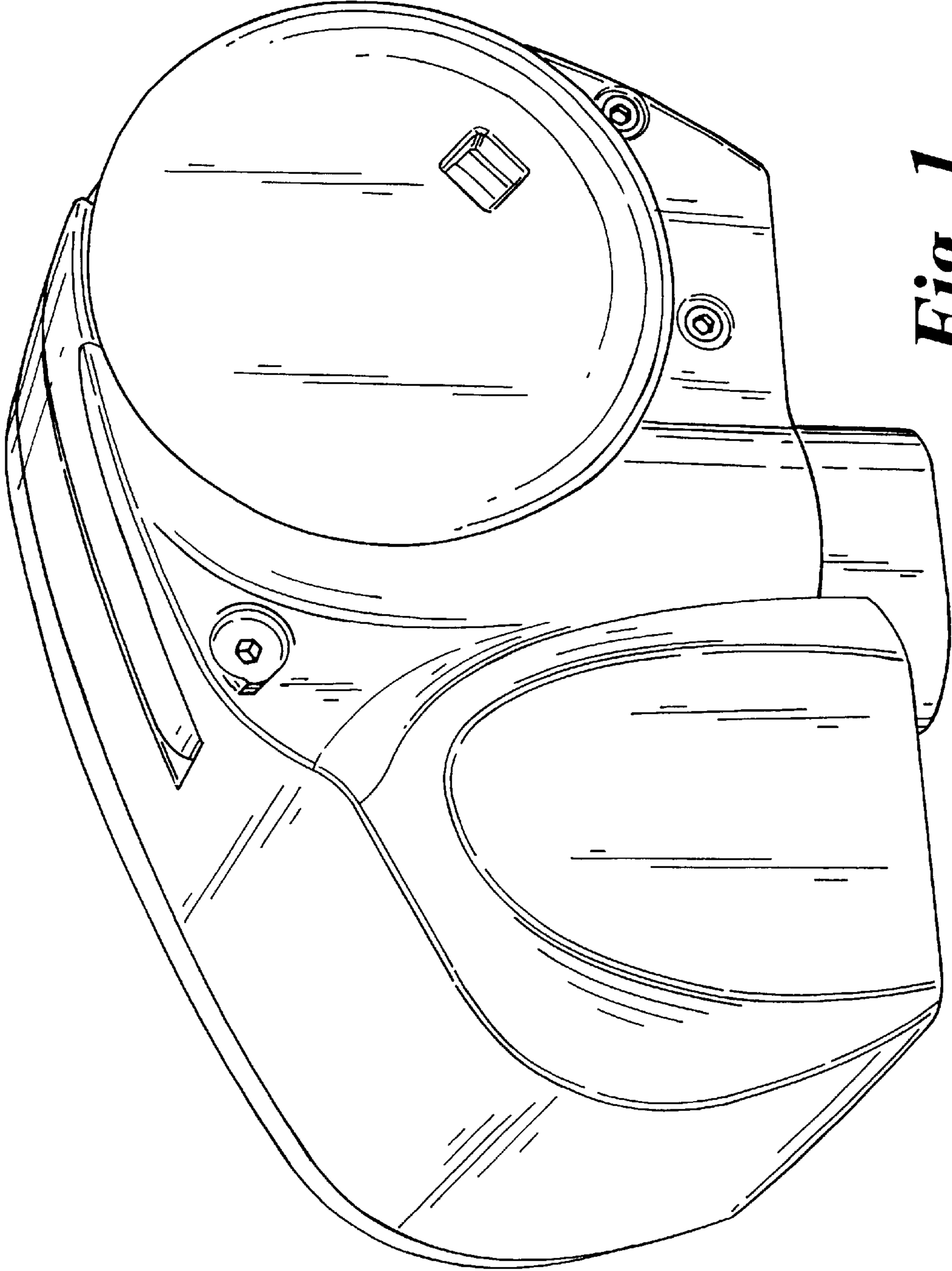


Fig. 1

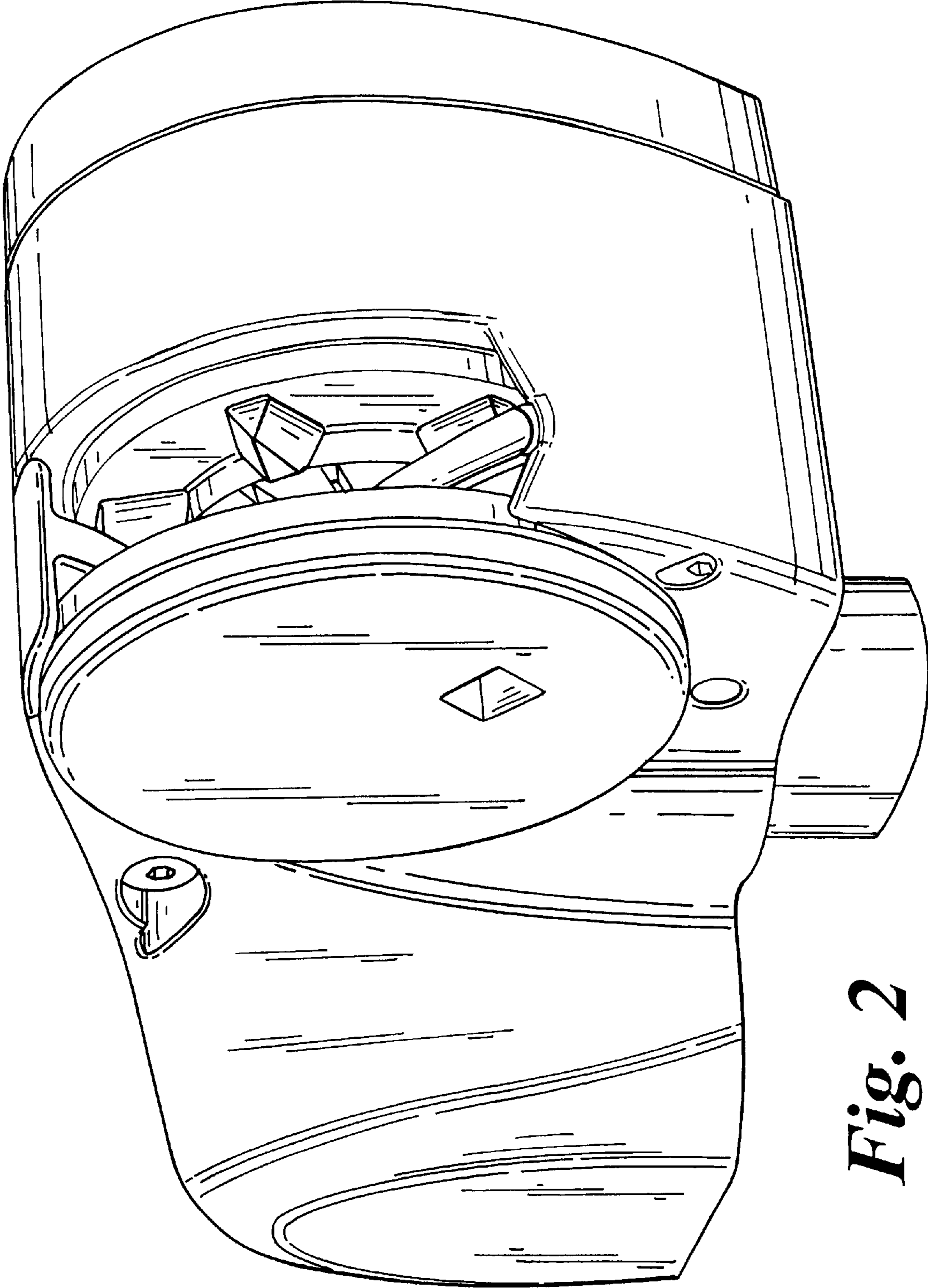


Fig. 2

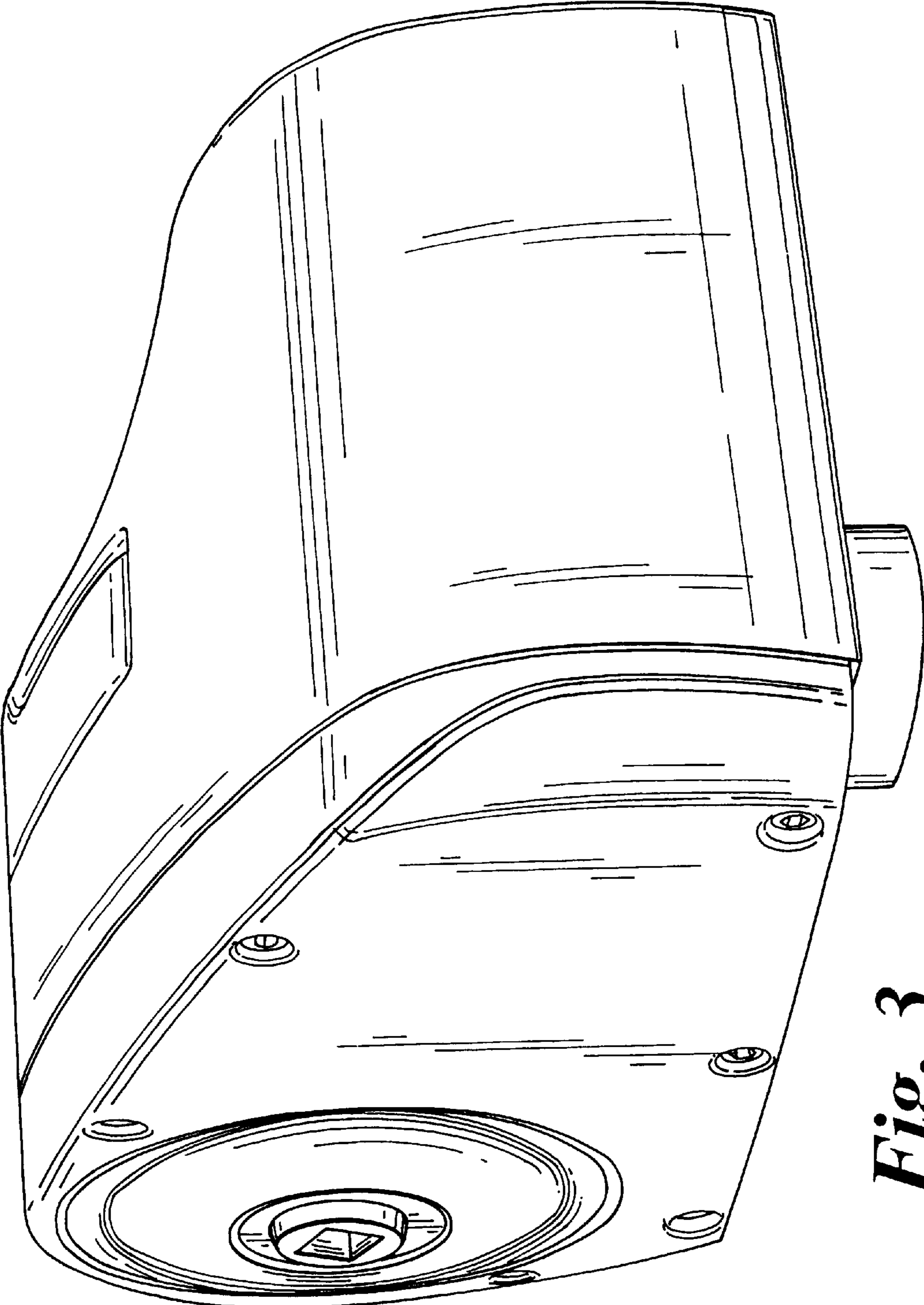


Fig. 3

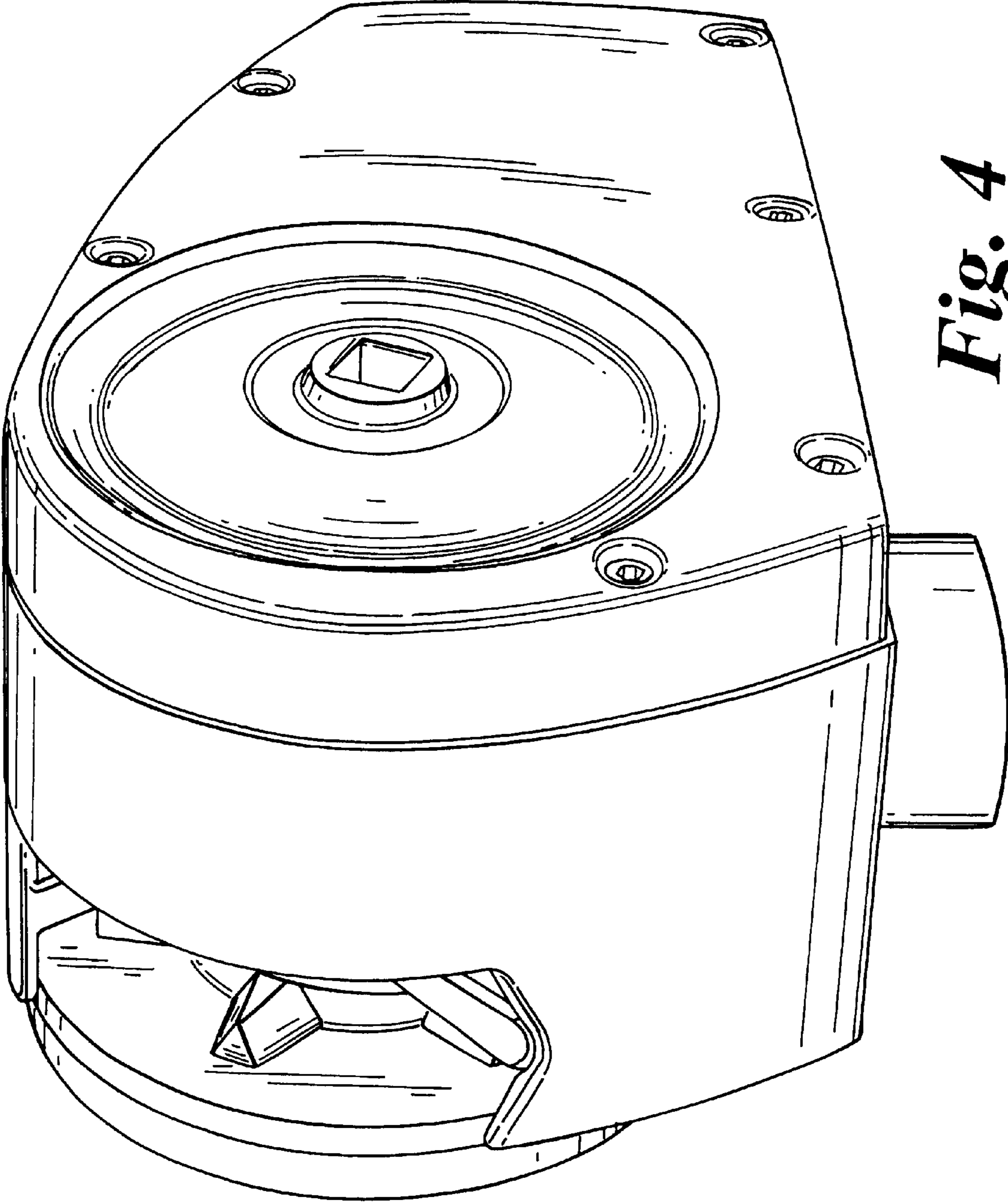


Fig. 4

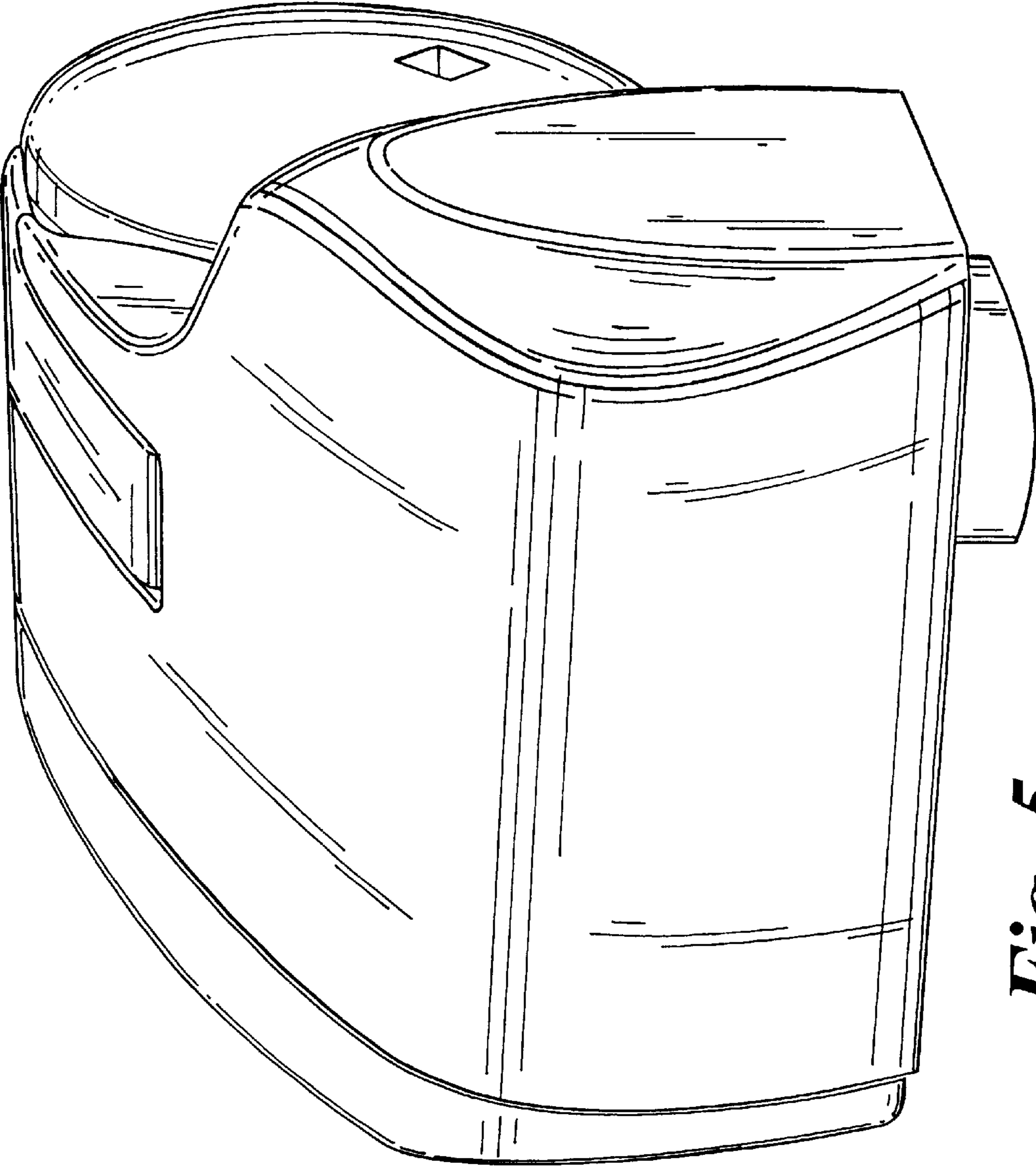


Fig. 5

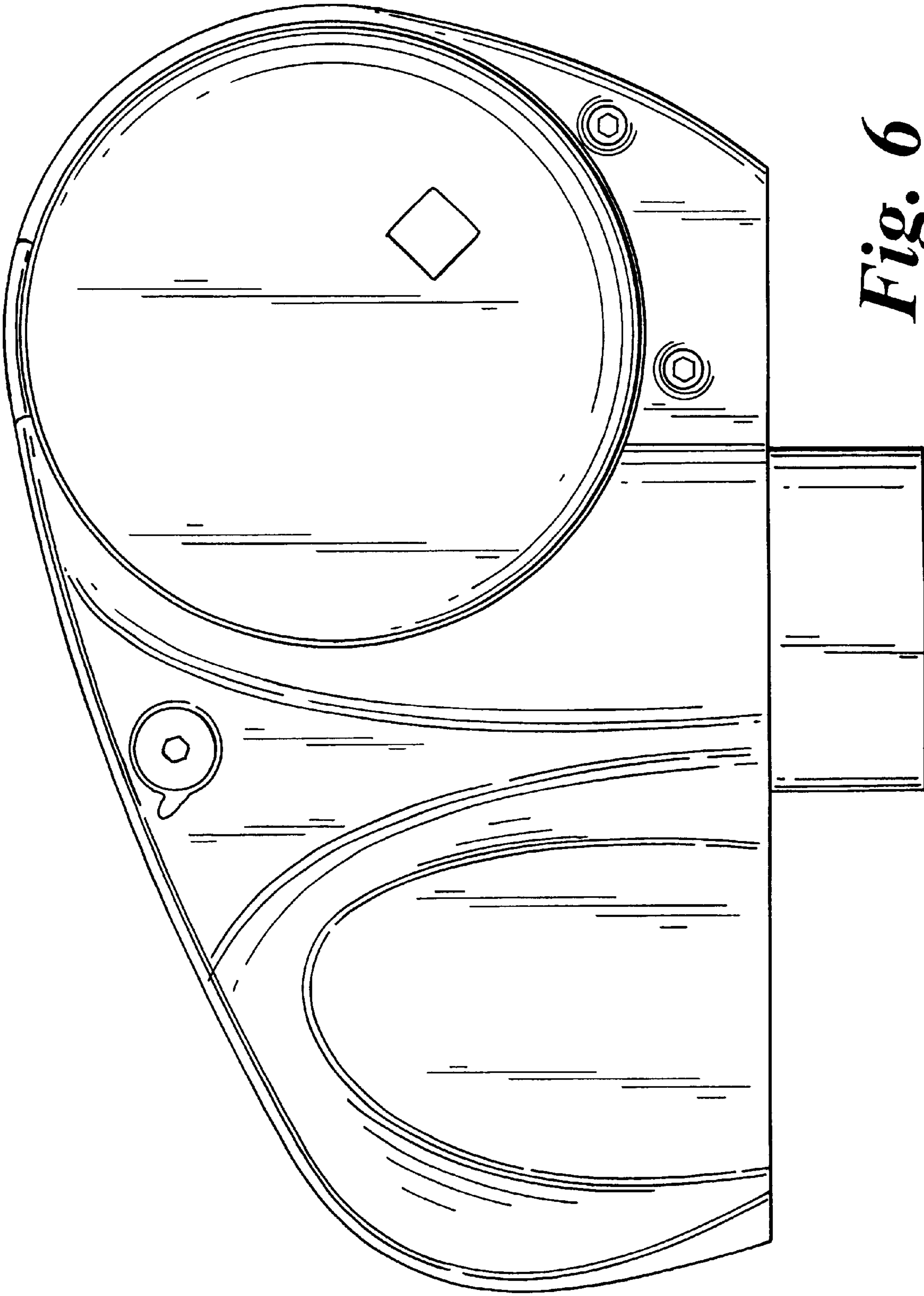


Fig. 6

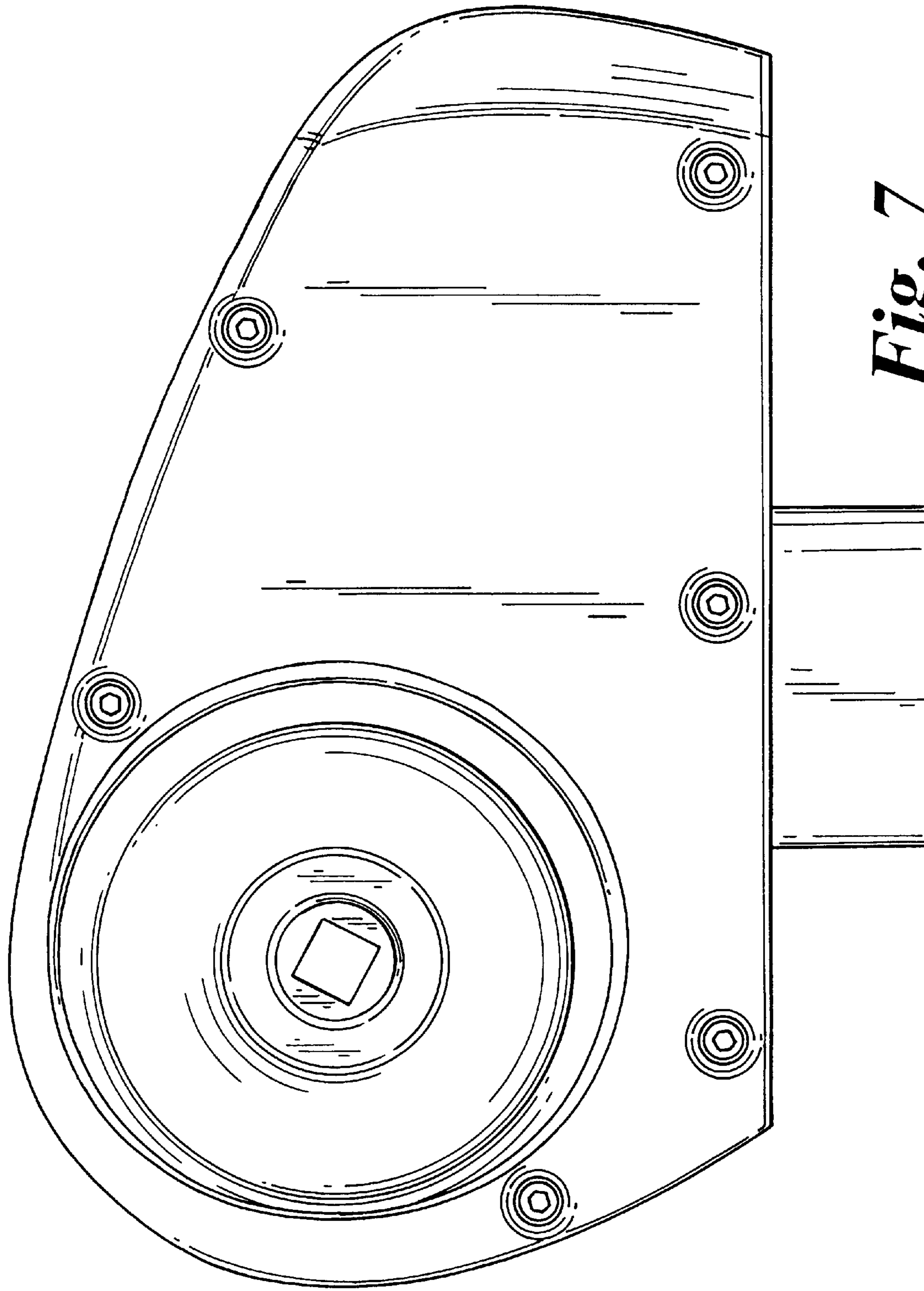


Fig. 7

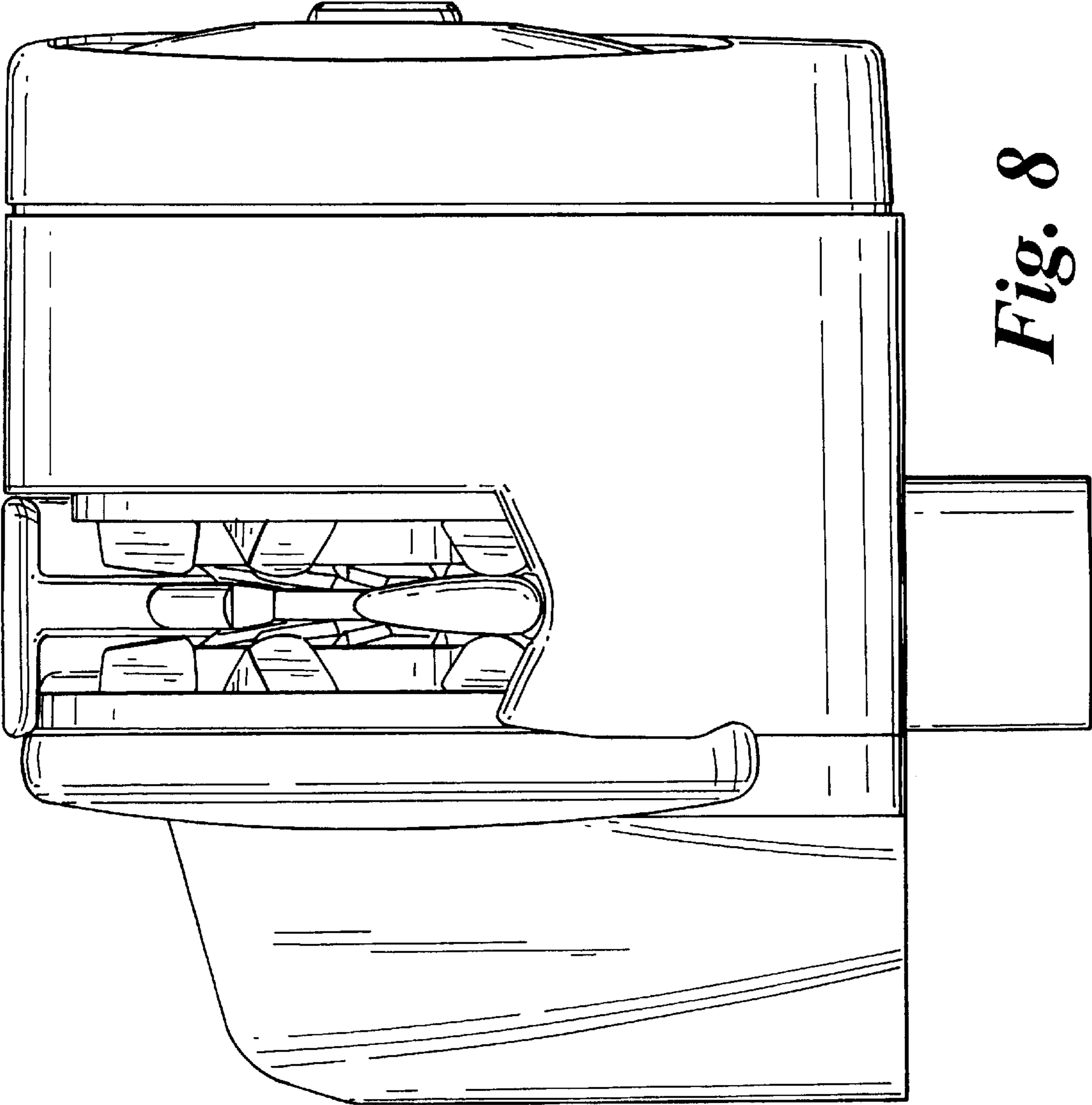


Fig. 8

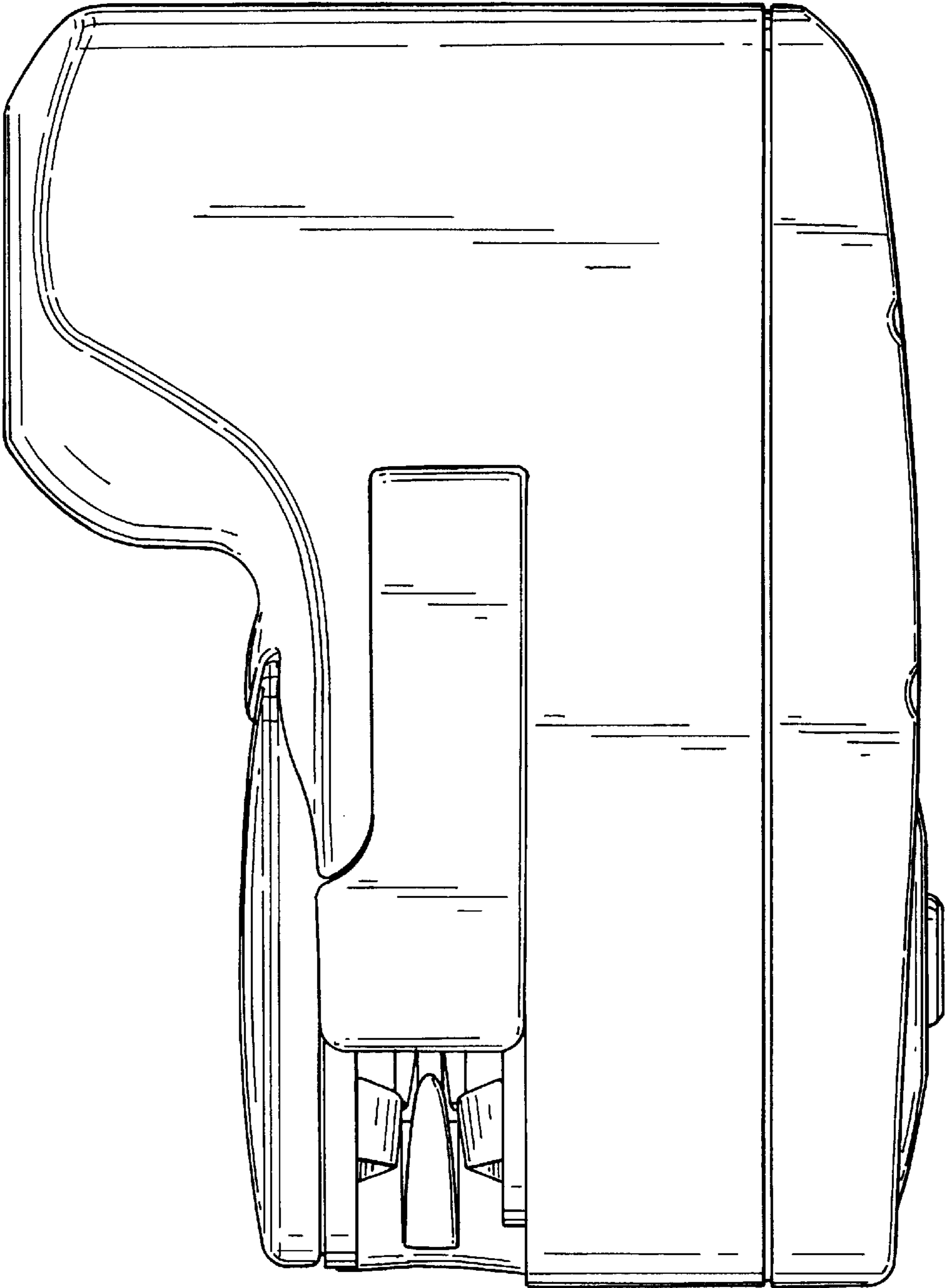


Fig. 9