

US00D523204S

(12) **United States Design Patent**
Geldbach et al.

(10) **Patent No.:** **US D523,204 S**
(45) **Date of Patent:** **** Jun. 13, 2006**

(54) **MULTI-FUNCTIONAL DOLLY**

(76) Inventors: **Phillip A. Geldbach**, 2225 Iowa St.,
Granite City, IL (US) 62040; **Barbara**
A. Geldbach, 2225 Iowa St., Granite
City, IL (US) 62040

(**) Term: **14 Years**

(21) Appl. No.: **29/212,047**

(22) Filed: **Aug. 26, 2004**

(51) **LOC (8) Cl.** **12-02**

(52) **U.S. Cl.** **D34/24**

(58) **Field of Classification Search** D34/12-27,
D34/1; 280/47.131, 47.17-47.19, 47.24,
280/47.28, 47.27, 47.34, 47.2, 47.29, 47.315,
280/40, 200, 641, 652, 651, 655, 655.1, 646,
280/79.11, 79.2, 79.5; 180/19.1-19.3; 248/129;
414/490, 444; D15/13; D3/201

See application file for complete search history.

(56) **References Cited**

U.S. PATENT DOCUMENTS

2,483,908	A	*	10/1949	Jackson	414/428
2,497,440	A	*	2/1950	Denny	280/47.29
2,514,781	A		7/1950	Miller		
2,680,003	A	*	6/1954	Feinstein	254/131
D184,962	S	*	4/1959	Ress	D34/24
3,036,723	A		5/1962	McCormick et al.		

3,598,420	A		8/1971	Edlin		
D238,058	S	*	12/1975	Weyrauch	D34/26
4,969,660	A	*	11/1990	Spak	280/646
D349,385	S		8/1994	Suggs, Sr.		
5,356,163	A		10/1994	Suggs, Sr.		
5,433,469	A		7/1995	Cassels		
5,474,313	A	*	12/1995	Marquardt	280/47.28
D367,346	S	*	2/1996	Young	D34/15
D395,113	S	*	6/1998	Pingel et al.	D34/27
D423,174	S	*	4/2000	Burr	D34/24
6,382,642	B1	*	5/2002	Rainey	280/47.24
D466,266	S	*	11/2002	Wu	D34/24
6,557,869	B1	*	5/2003	Gillette et al.	280/47.28

* cited by examiner

Primary Examiner—Freda Nunn
Assistant Examiner—Kevin K. Rudzinski

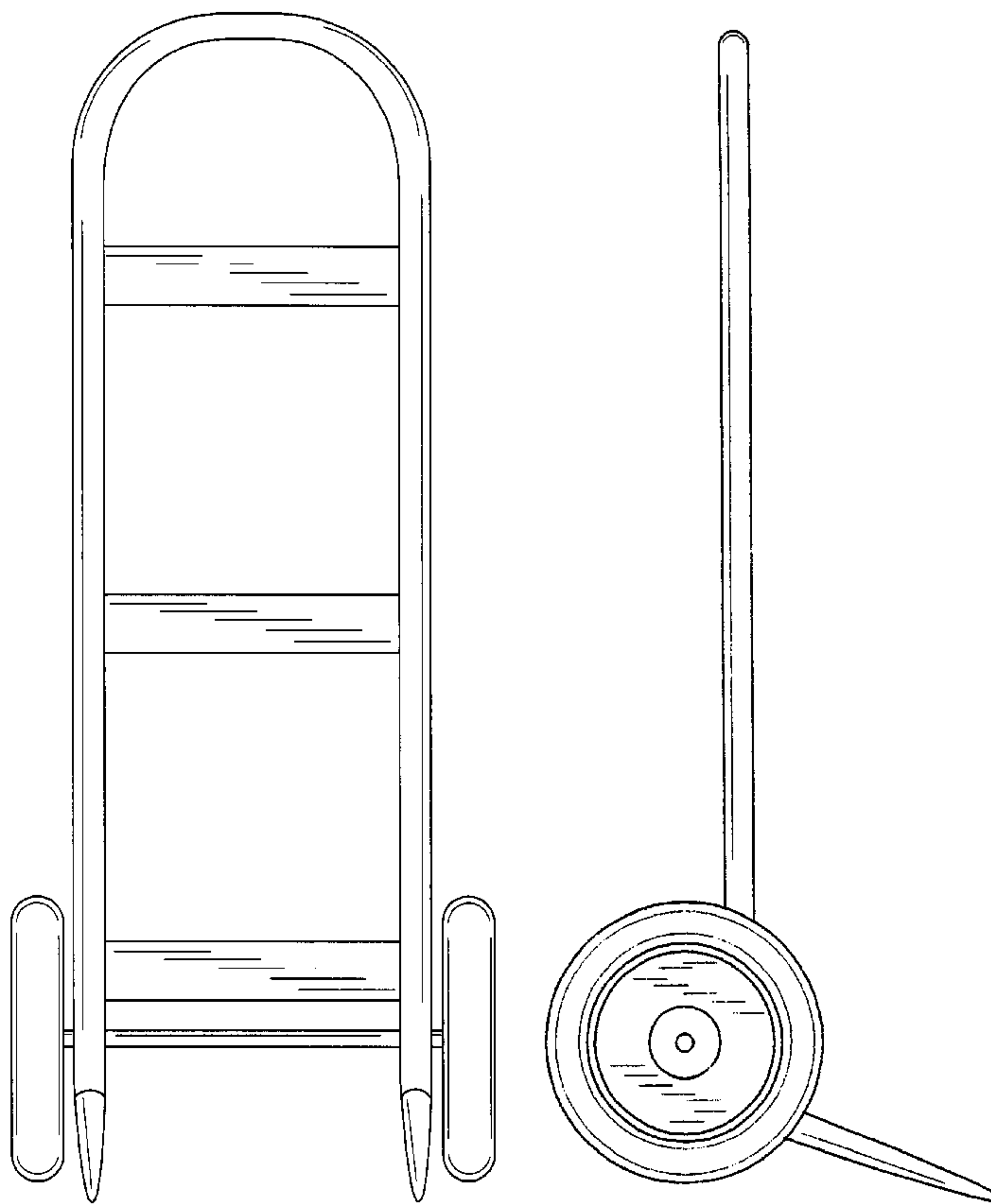
(57) **CLAIM**

The ornamental design for a multi-functional dolly, as shown and described.

DESCRIPTION

FIG. 1 is a front elevational view of a multi-functional dolly showing my new design;
FIG. 2 is rear elevational view thereof;
FIG. 3 is a side elevational view thereof;
FIG. 4 is a top plan view thereof; and,
FIG. 5 is a bottom plan view thereof.

1 Claim, 3 Drawing Sheets



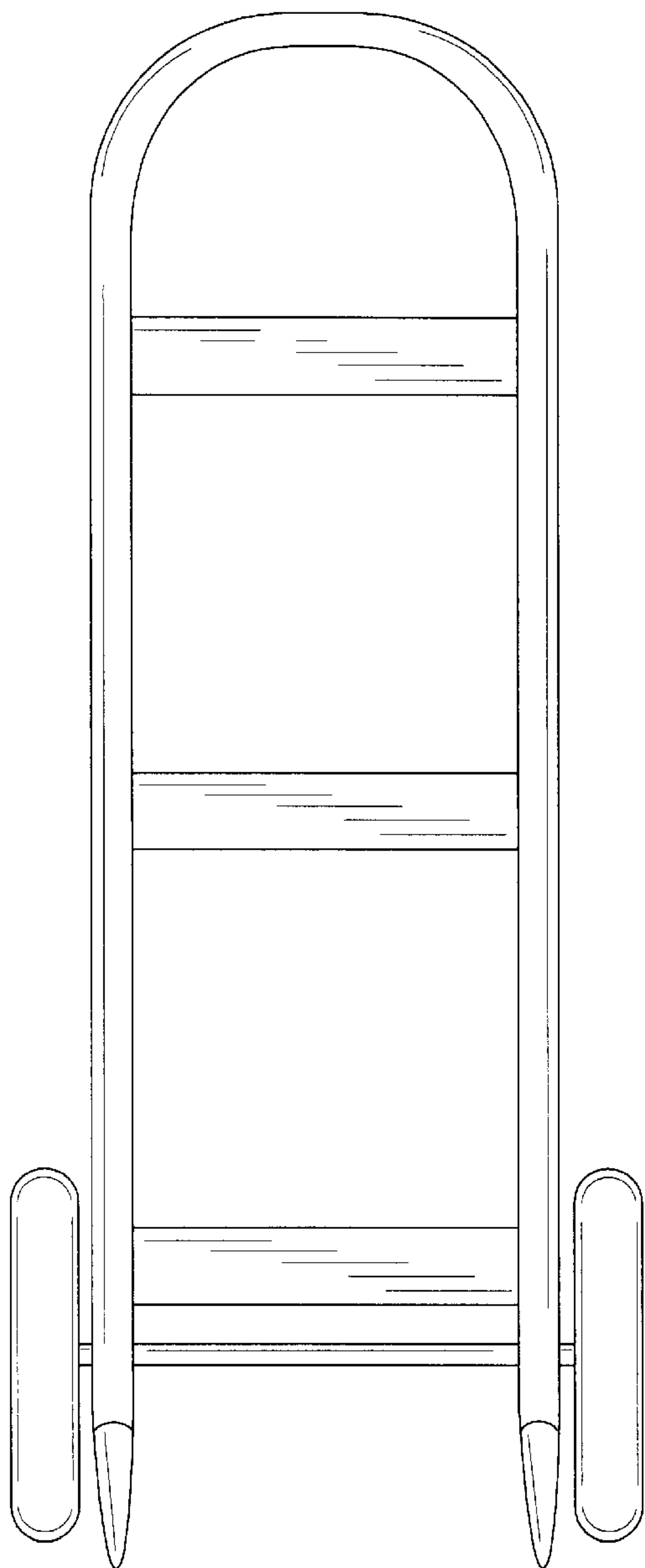


FIG. 1

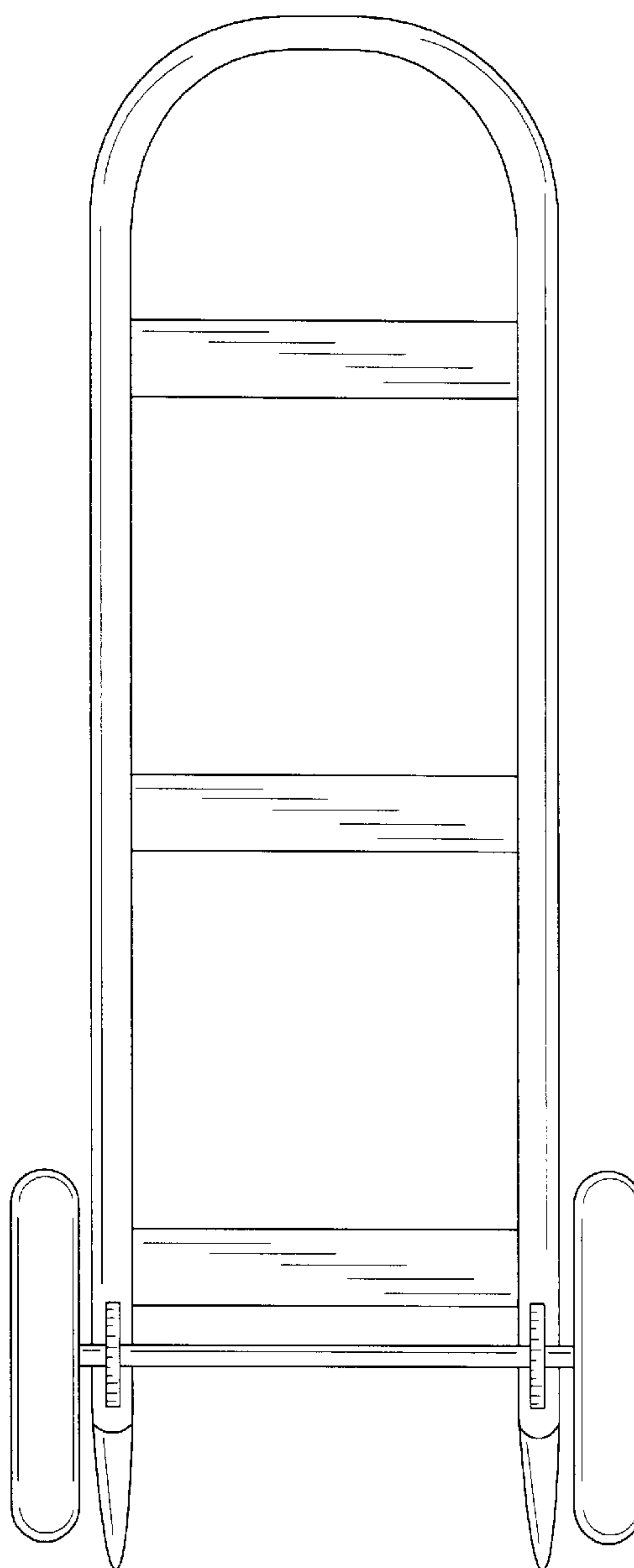


FIG. 2

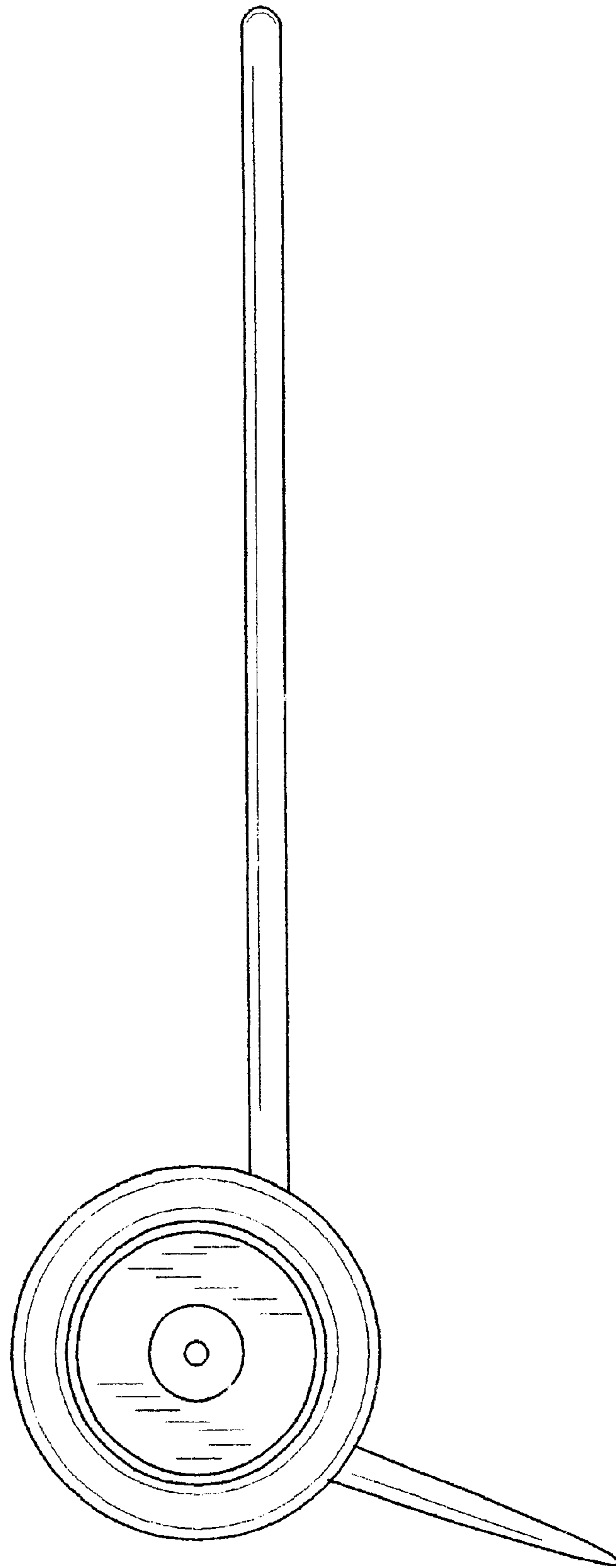


FIG. 3

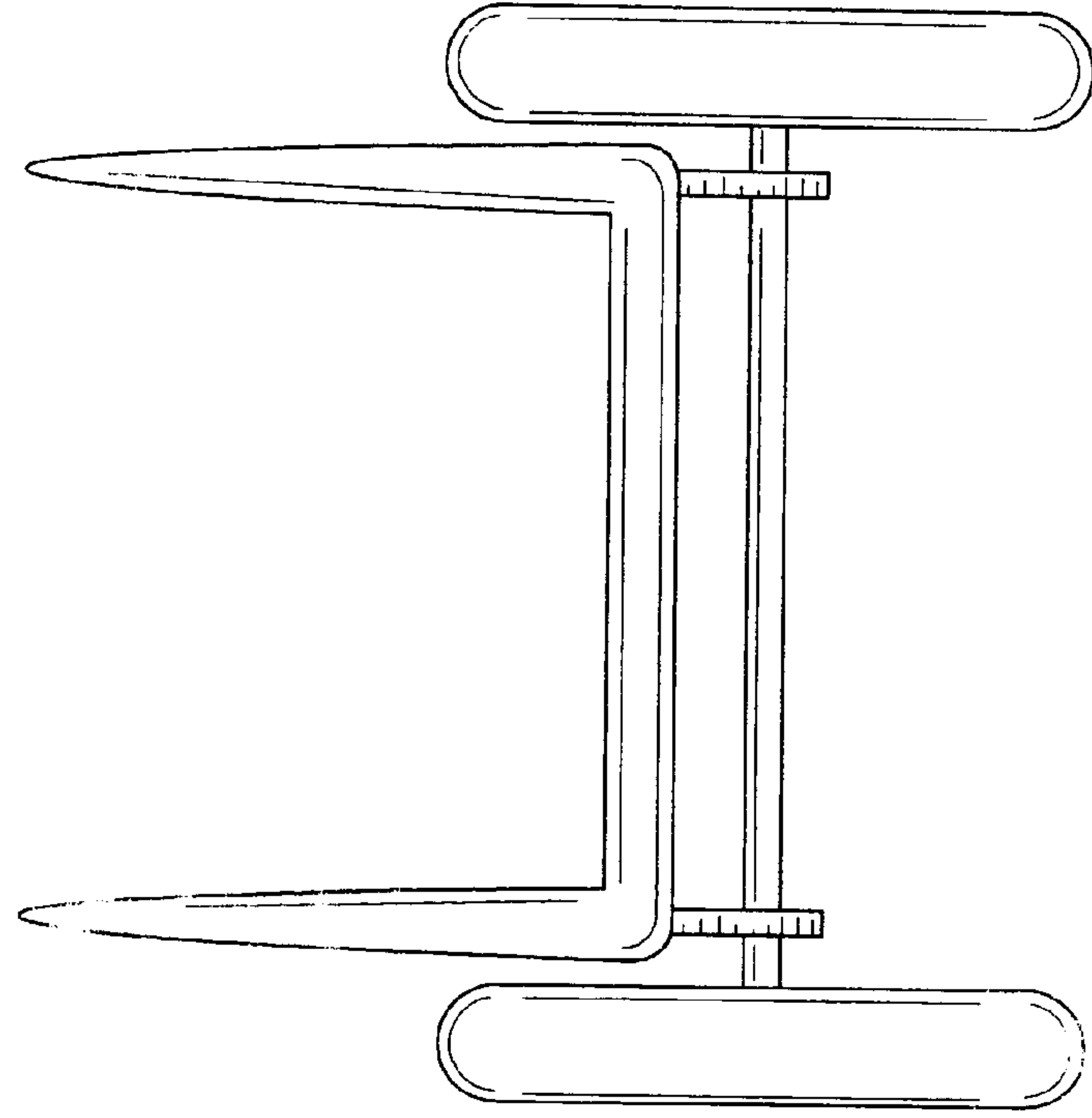


FIG. 5

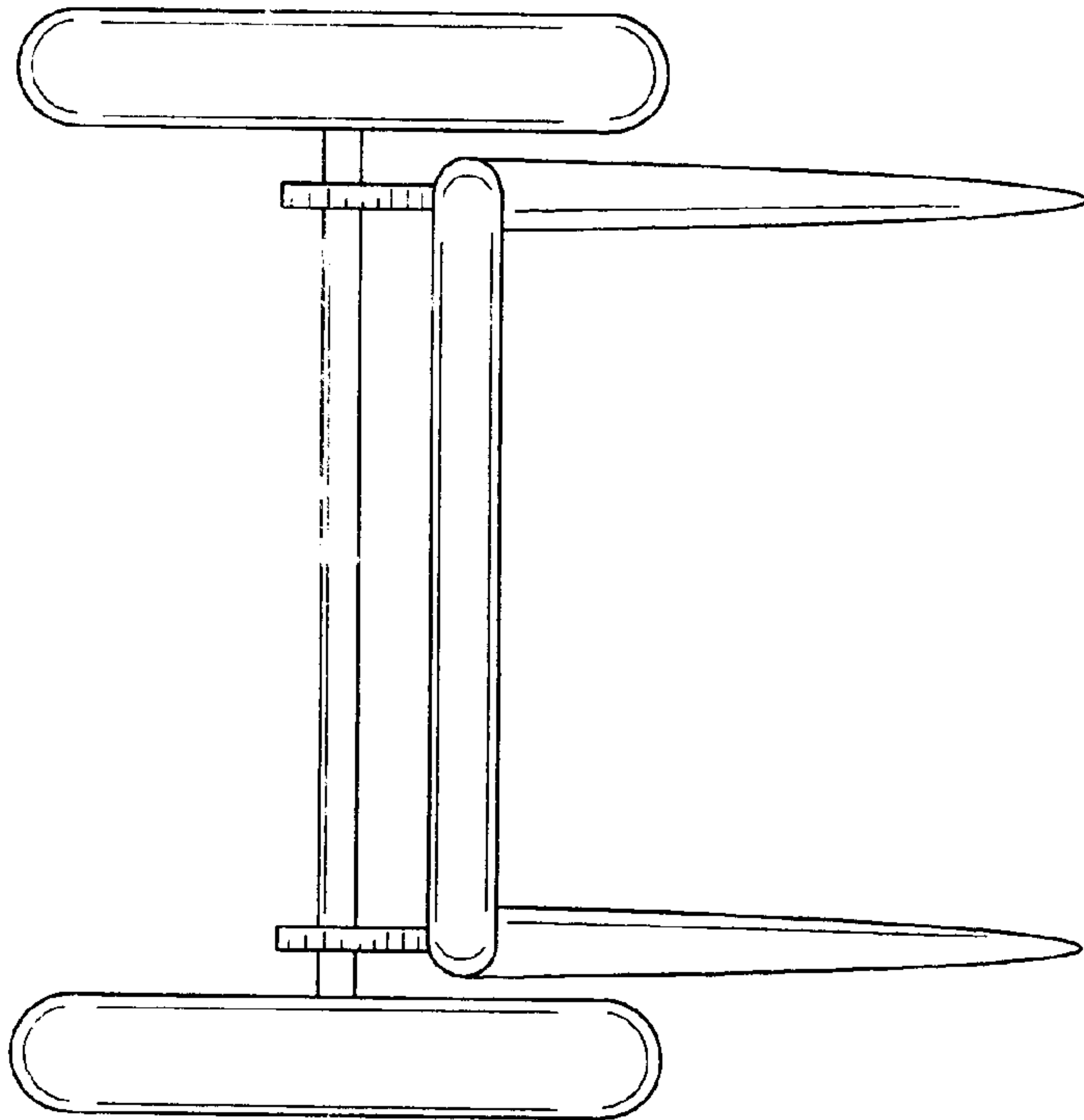


FIG. 4