

US00D523203S

(12) **United States Design Patent**
Pertuset

(10) **Patent No.:** **US D523,203 S**

(45) **Date of Patent:** **** Jun. 13, 2006**

(54) **BUCKET CARRIER**

(76) **Inventor:** **Richard Orville Pertuset**, 526-A E. St.,
Minford, OH (US) 45653

(**) **Term:** **14 Years**

(21) **Appl. No.:** **29/209,077**

(22) **Filed:** **Jul. 12, 2004**

(51) **LOC (8) Cl.** **12-02**

(52) **U.S. Cl.** **D34/24**

(58) **Field of Classification Search** D34/12-27,
D34/1; 280/47.131, 47.17-47.19, 47.24,
280/47.28, 47.27, 47.34, 47.2, 47.29, 47.315,
280/40, 200, 641, 652, 651, 655, 655.1, 646,
280/79.11, 79.2, 79.5; 180/19.1-19.3; 248/129;
414/490, 444; D15/13; D3/201

See application file for complete search history.

(56) **References Cited**

U.S. PATENT DOCUMENTS

2,417,918	A	*	3/1947	Fatur	414/456
D166,953	S	*	6/1952	Clarke	D34/15
D169,336	S	*	4/1953	Reece	D34/21
2,668,977	A	*	2/1954	Reece	15/246.4
2,704,165	A	*	3/1955	Hoover	414/456

D196,104	S	*	8/1963	Babcock et al.	D34/15
D208,536	S		9/1967	Clark et al.		
D250,326	S		11/1978	Blatzer et al.		
4,746,141	A	*	5/1988	Willis	280/655
4,861,050	A		8/1989	Bergeron		
4,905,944	A	*	3/1990	Jost et al.	248/125.8
5,494,308	A		2/1996	Southerland		
D376,238	S	*	12/1996	Tsai	D34/26
5,626,351	A	*	5/1997	Tsai	280/40
5,967,544	A		10/1999	Kanta		
D424,770	S	*	5/2000	Watkins et al.	D34/12
D459,564	S		6/2002	Daniels et al.		

* cited by examiner

Primary Examiner—Freda Nunn
Assistant Examiner—Kevin K. Rudzinski
(74) *Attorney, Agent, or Firm*—Richard L. Mikesell

(57) **CLAIM**

The ornamental design for a bucket carrier, as shown and described.

DESCRIPTION

FIG. 1 is a top right side perspective view of the design of the instant invention; and,
FIG. 2 is a rear elevational view thereof.

1 Claim, 1 Drawing Sheet

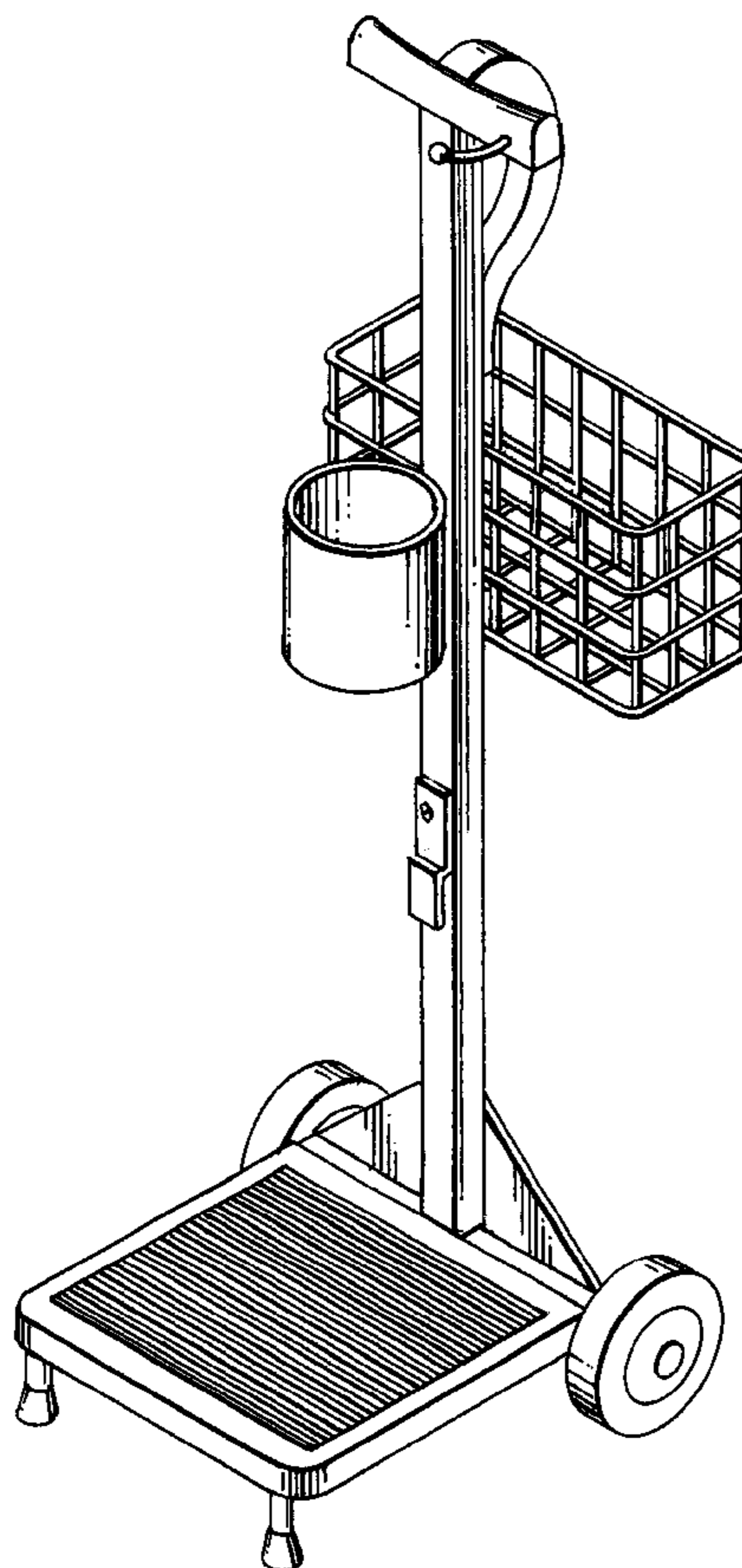


FIG. 1

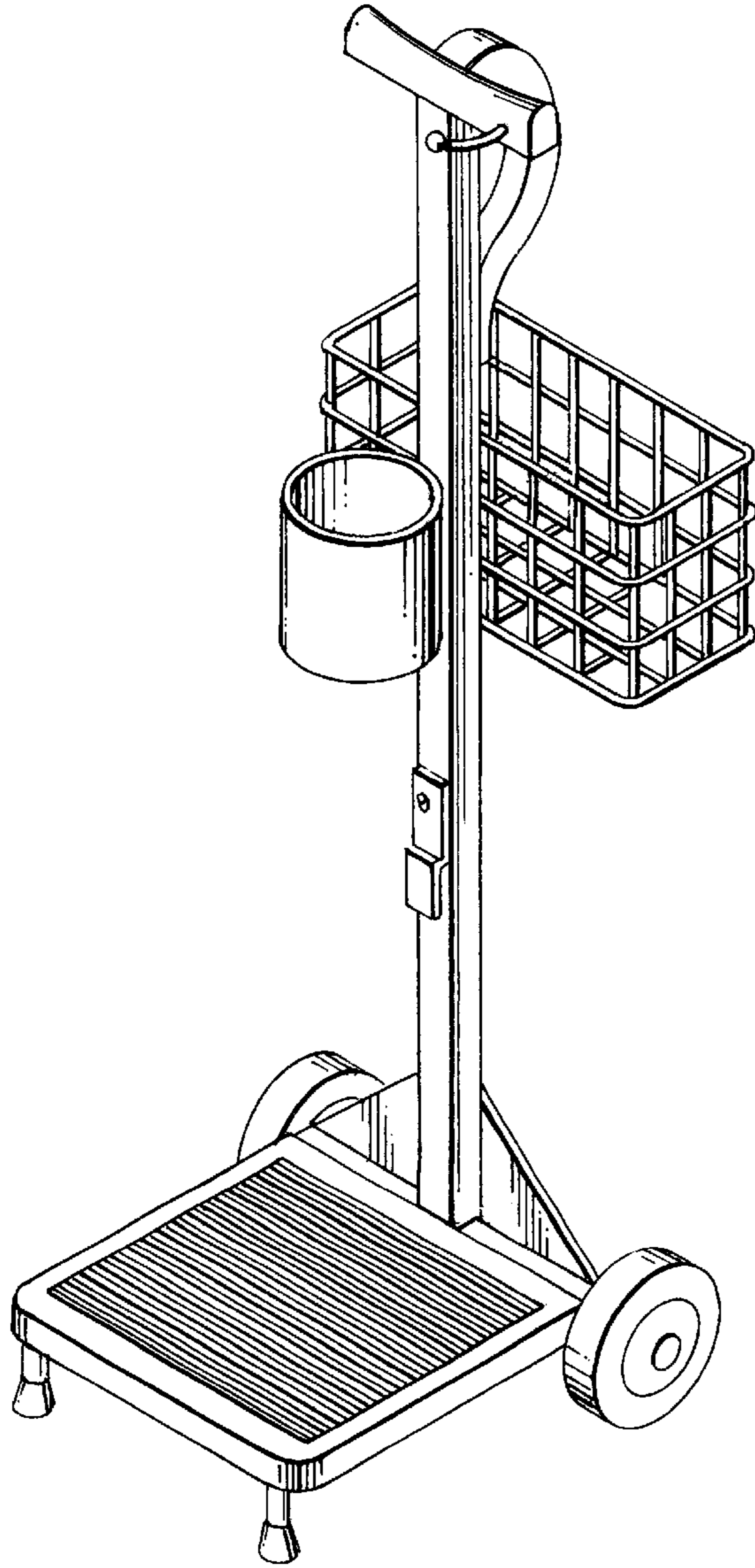


FIG. 2

