



US00D523202S

(12) **United States Design Patent**
Willison

(10) **Patent No.:** **US D523,202 S**

(45) **Date of Patent:** **** Jun. 13, 2006**

(54) **UTILITY CART**

(76) **Inventor:** **George R. Willison**, 6465 Polo Dr.,
Cumming, GA (US) 30040

(**) **Term:** **14 Years**

(21) **Appl. No.:** **29/215,828**

(22) **Filed:** **Oct. 26, 2004**

(51) **LOC (8) Cl.** **12-02**

(52) **U.S. Cl.** **D34/21**

(58) **Field of Classification Search** D34/1,
D34/5, 6, 7, 12-27; 211/49.1, 194, 126.1,
211/134, 187, 188, 189; 108/59, 63, 91, 106,
108/156, 144.11; 248/128, 129; D6/479,
D6/478, 480, 476, 396, 439, 465, 446, 477,
D6/461, 473, 462, 463, 464; 280/47.35, 47.34,
280/47.19, 47.24, 47.26, 79.3, 79.11, 79.2,
280/659, 654, 33.991; 206/545, 546, 549;
D7/334, 335, 336; D32/37; 220/908, 909,
220/910, 911

See application file for complete search history.

(56) **References Cited**

U.S. PATENT DOCUMENTS

- 1,353,180 A * 9/1920 Preston et al. 297/119
- D90,713 S * 9/1933 Goodman D34/18
- D99,804 S * 5/1936 Hoffman D34/24
- 2,677,470 A * 5/1954 Catalano 108/62
- 2,886,186 A * 5/1959 Hamilton 108/189
- D187,653 S * 4/1960 Warshawsky D34/18

- D188,099 S * 6/1960 Barrett et al. D34/18
- D236,705 S * 9/1975 Woeckener D34/18
- 4,706,817 A * 11/1987 Greathouse 206/545
- 5,140,973 A * 8/1992 Home 126/41 R
- D354,186 S * 1/1995 Grosfillex D34/21
- D423,826 S * 5/2000 Ho D6/479
- D424,267 S * 5/2000 Lin D34/24
- D425,280 S * 5/2000 vom Braucke et al. D34/21
- D446,376 S * 8/2001 Vanderbyl D34/24
- D469,591 S * 1/2003 Vanderminden D34/21

* cited by examiner

Primary Examiner—Freda Nunn

Assistant Examiner—Kevin K. Rudzinski

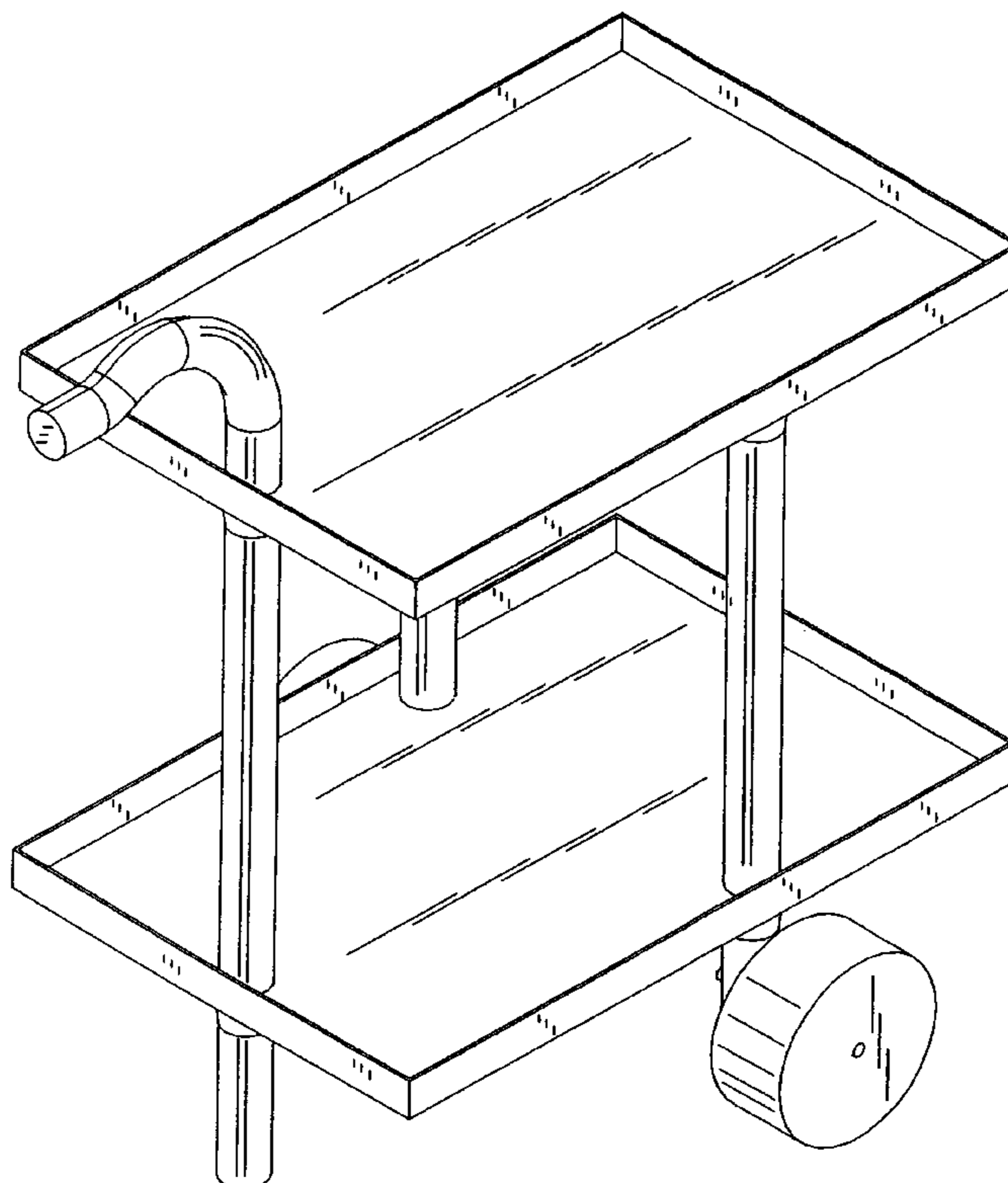
(57) **CLAIM**

The ornamental design for a utility cart, as shown and described.

DESCRIPTION

FIG. 1 is a top, front, right side perspective view of a utility cart embodying my design;
 FIG. 2 is a front elevational view thereof;
 FIG. 3 is a rear elevational view thereof;
 FIG. 4 is a top plan view thereof;
 FIG. 5 is a bottom plan view thereof;
 FIG. 6 is a right side elevational view, the left side elevational view being a mirror image thereof;
 FIG. 7 is a view along lines 7—7 of FIG. 6; and,
 FIG. 8 is a view along lines 8—8 of FIG. 6.

1 Claim, 7 Drawing Sheets



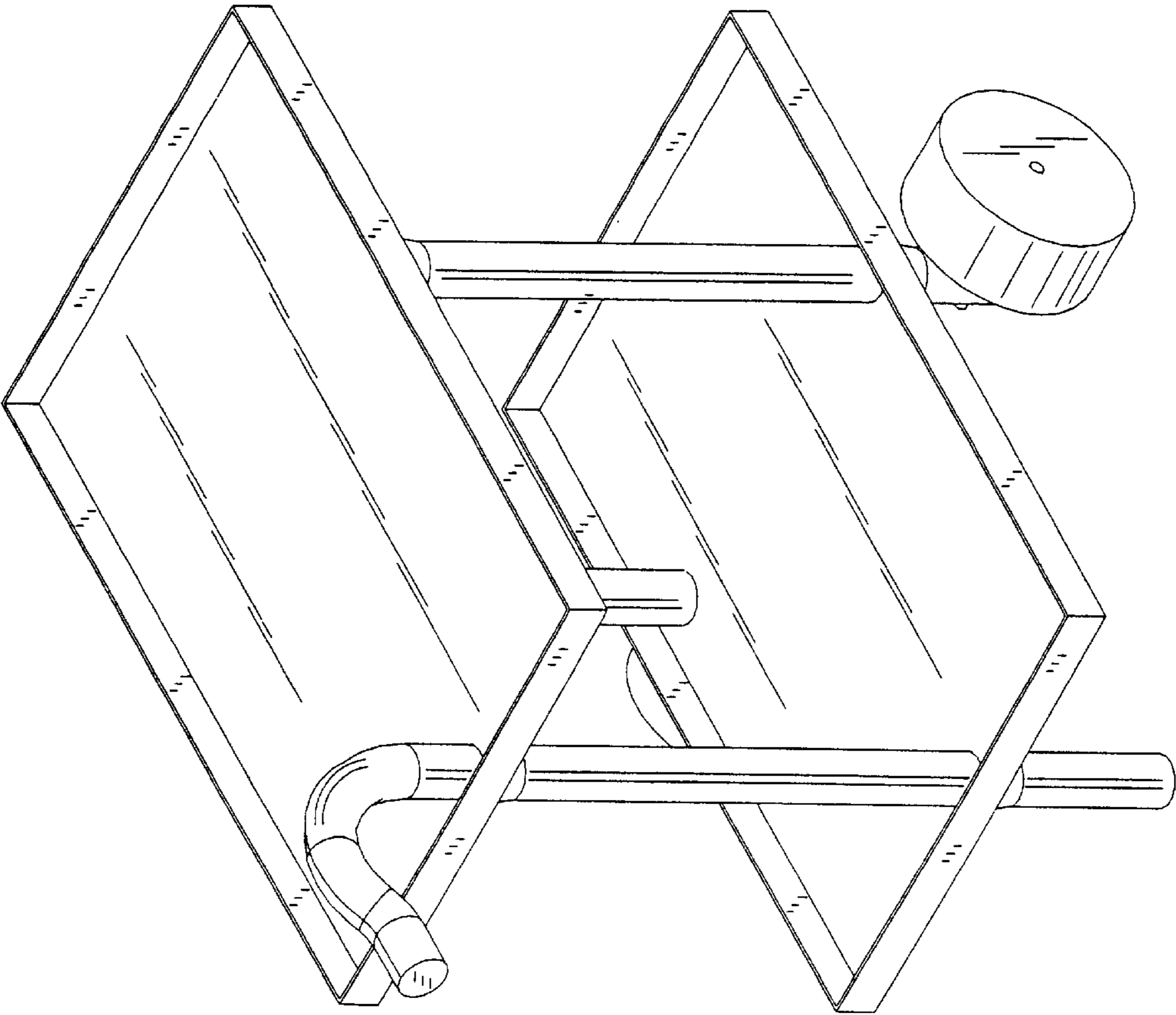


FIG. 1

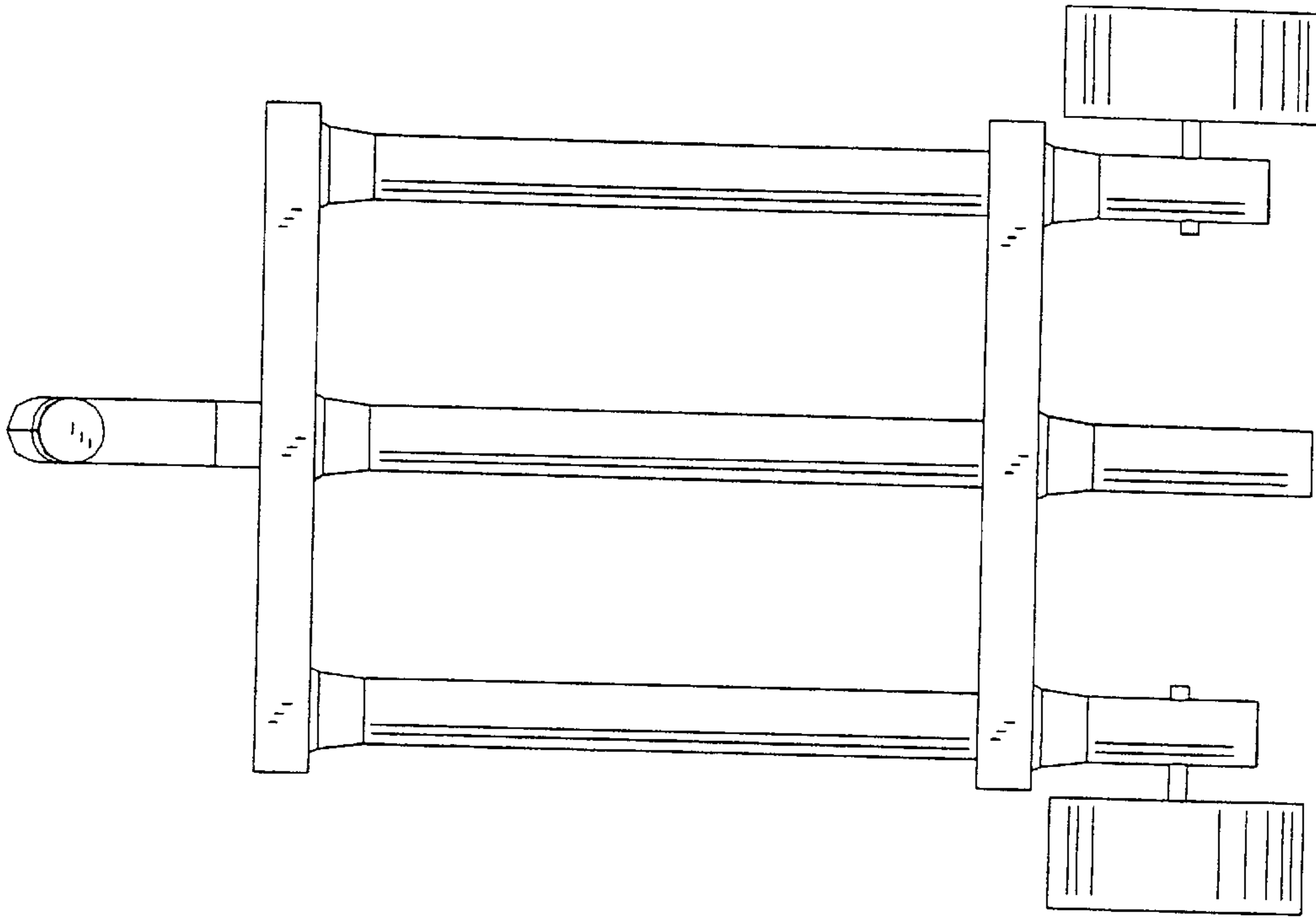


FIG. 2

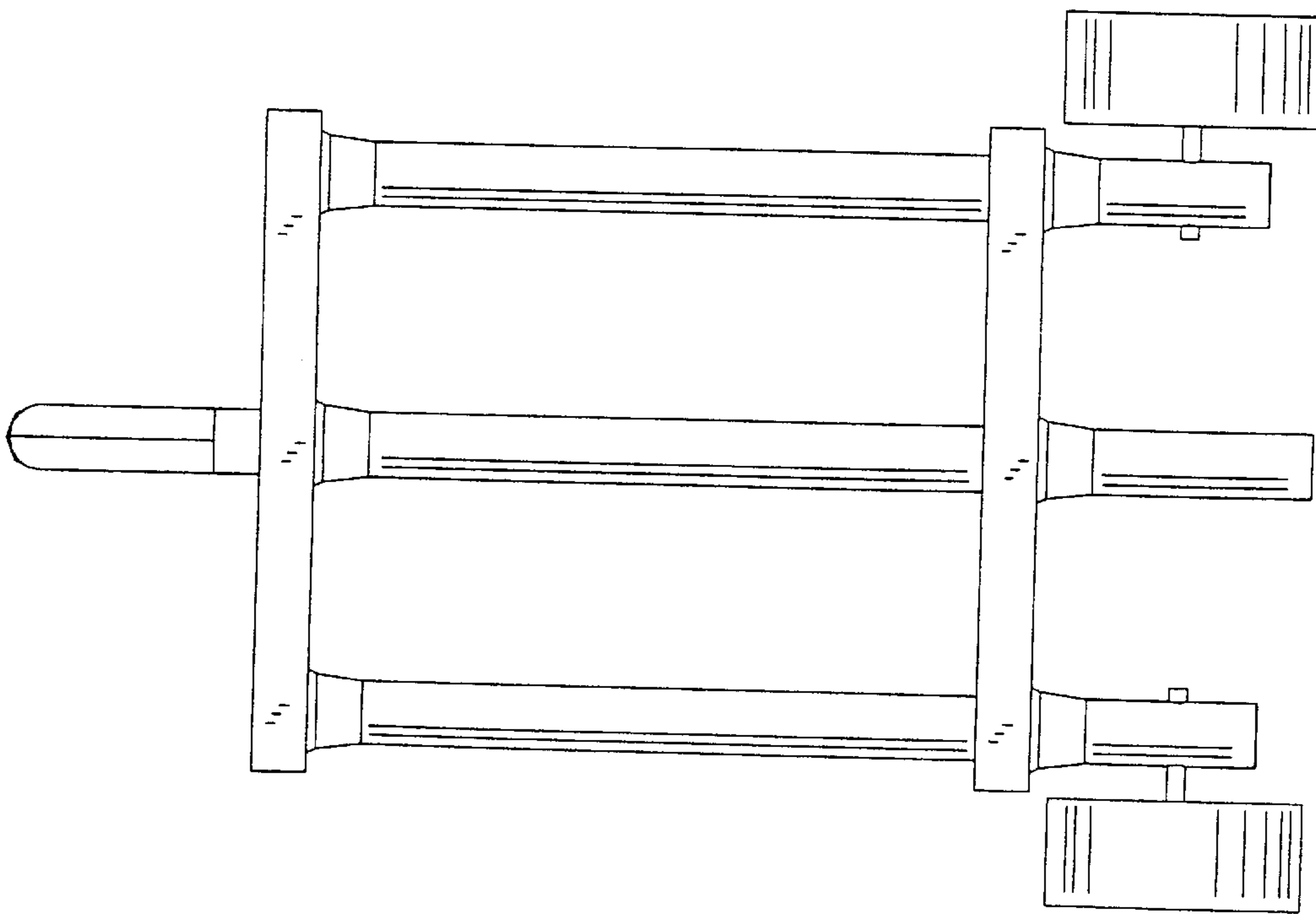


FIG. 3

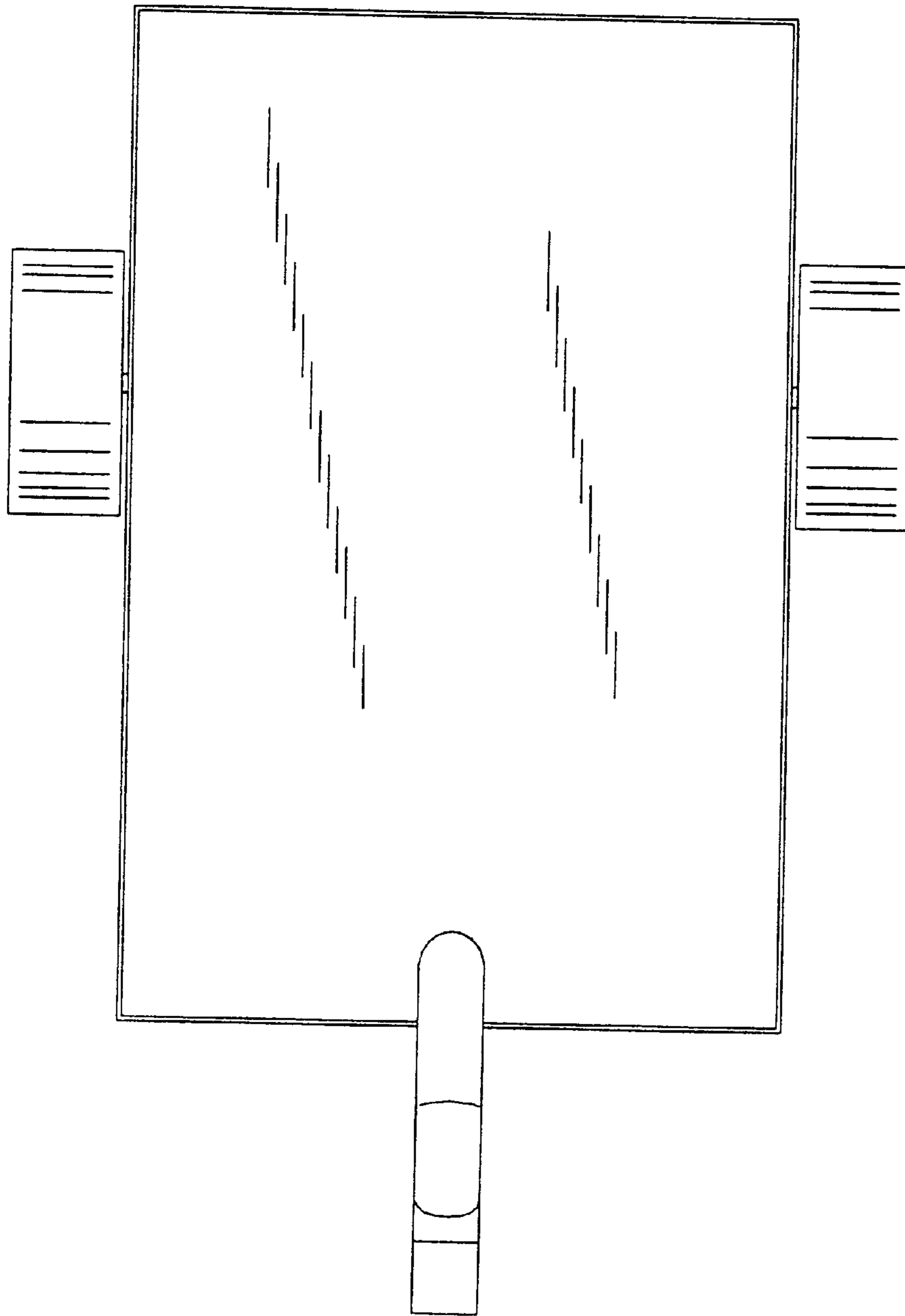


FIG. 4

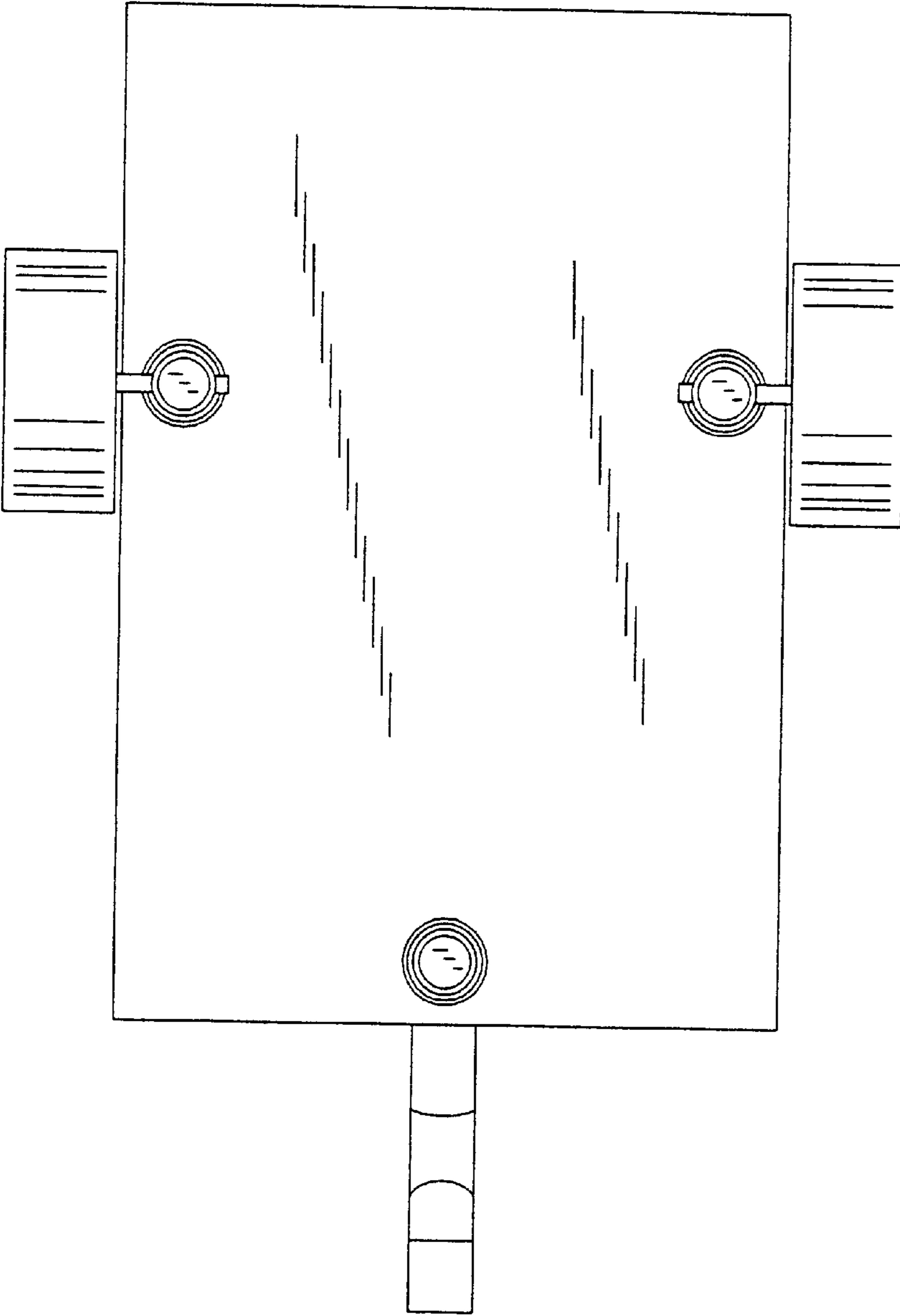


FIG. 5

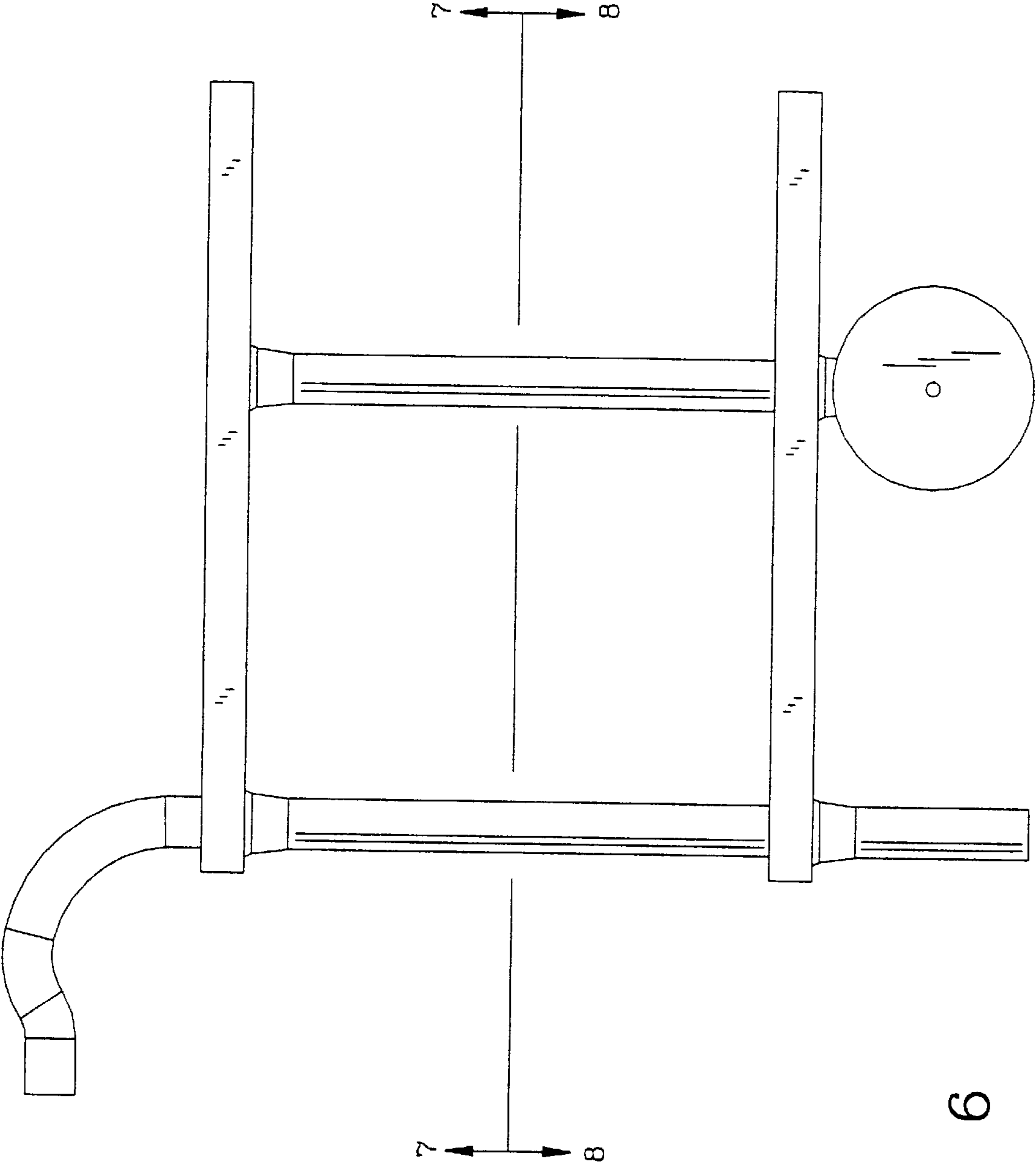


FIG. 6

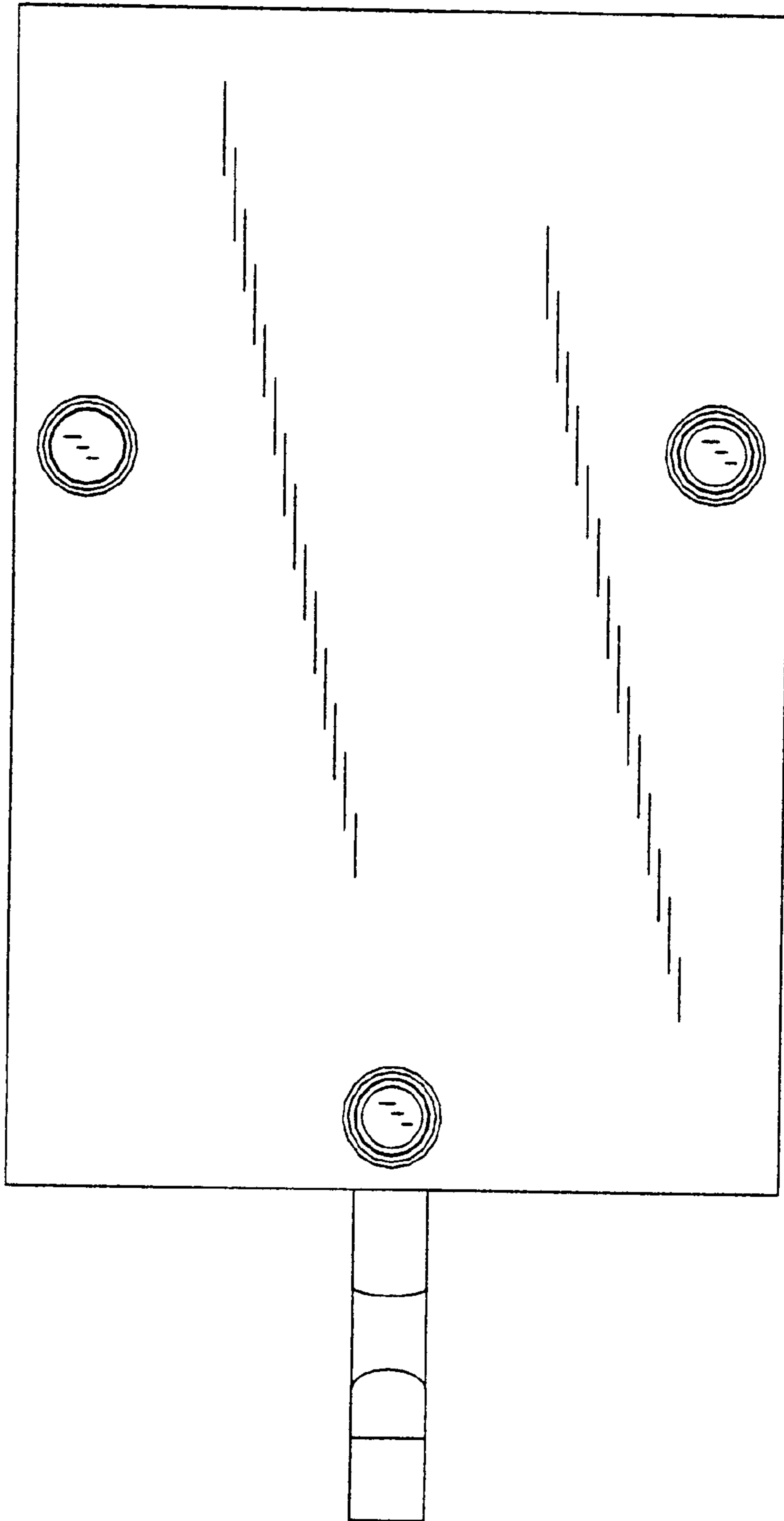


FIG. 7

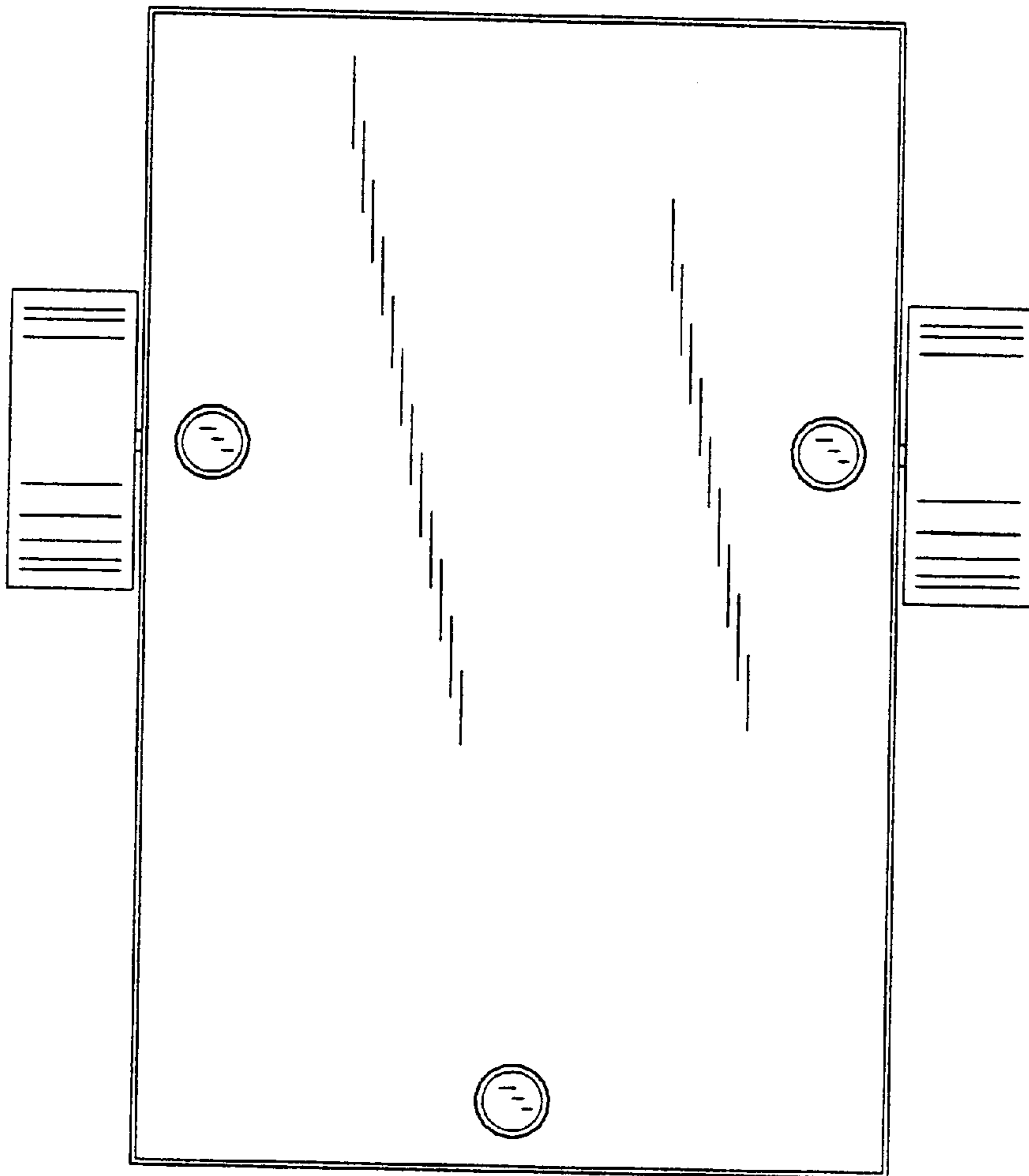


FIG. 8