

US00D523201S

(12) **United States Design Patent**
Widmer

(10) **Patent No.:** **US D523,201 S**

(45) **Date of Patent:** **** Jun. 13, 2006**

(54) **DOLLY**

(76) Inventor: **Keith A. Widmer**, 5615 Kingston Pike,
Knoxville, TN (US) 37919

(**) Term: **14 Years**

(21) Appl. No.: **29/225,854**

(22) Filed: **Mar. 21, 2005**

(51) **LOC (8) Cl.** **12-02**

(52) **U.S. Cl.** **D34/12**

(58) **Field of Classification Search** D34/12-27,
D34/1; 280/47.131, 47.17-47.19, 47.24,
280/47.28, 47.27, 47.34, 47.2, 47.29, 47.315,
280/40, 200, 641, 652, 651, 655, 655.1, 646,
280/79.11, 79.2, 79.5; 180/19.1-19.3; 248/129;
414/490, 444; D15/13; D3/201

See application file for complete search history.

(56) **References Cited**

U.S. PATENT DOCUMENTS

2,070,095	A	*	2/1937	Shepard, Jr. et al.	280/47.16
2,414,277	A	*	1/1947	Garbarino et al.	280/47.34
D193,772	S	*	10/1962	Brunette	D34/17
D219,649	S	*	1/1971	Salcman et al.	D34/17
4,458,906	A	*	7/1984	Lamson	280/47.34
D289,578	S	*	4/1987	Ruffin	D34/17
D340,334	S	*	10/1993	Kean et al.	D34/17
D340,335	S	*	10/1993	Kean et al.	D34/17
5,409,245	A	*	4/1995	Kern et al.	280/33.996
D363,588	S	*	10/1995	Bancroft et al.	D34/17
D384,467	S		9/1997	Stallbaumer		
D396,918	S	*	8/1998	Golichowski et al.	D34/12
D404,871	S	*	1/1999	Golichowski et al.	D34/17
D410,577	S	*	6/1999	Ciphers, Sr.	D34/17
D415,600	S	*	10/1999	Hsieh et al.	D34/23

D469,996	S		2/2003	Ashby		
D470,352	S		2/2003	Strong		
D485,719	S		1/2004	Ashby et al.		
D498,953	S		11/2004	Strong		
D499,283	S		12/2004	Winter et al.		
6,860,493	B1	*	3/2005	Orozco	280/33.991
6,877,764	B1	*	4/2005	Sagol	280/655.1
6,912,961	B1	*	7/2005	Winter et al.	108/118

* cited by examiner

Primary Examiner—Freda Nunn

Assistant Examiner—Kevin K. Rudzinski

(74) *Attorney, Agent, or Firm*—Pitts & Brittan, P.C.

(57) **CLAIM**

I claim the ornamental design of a dolly, as shown and described.

DESCRIPTION

FIG. 1 is a right side perspective view of a dolly showing my new design;

FIG. 2 is a right side perspective view of a dolly as seen from a rearward location showing my new design;

FIG. 3 is a rear elevation view of a dolly showing my new design;

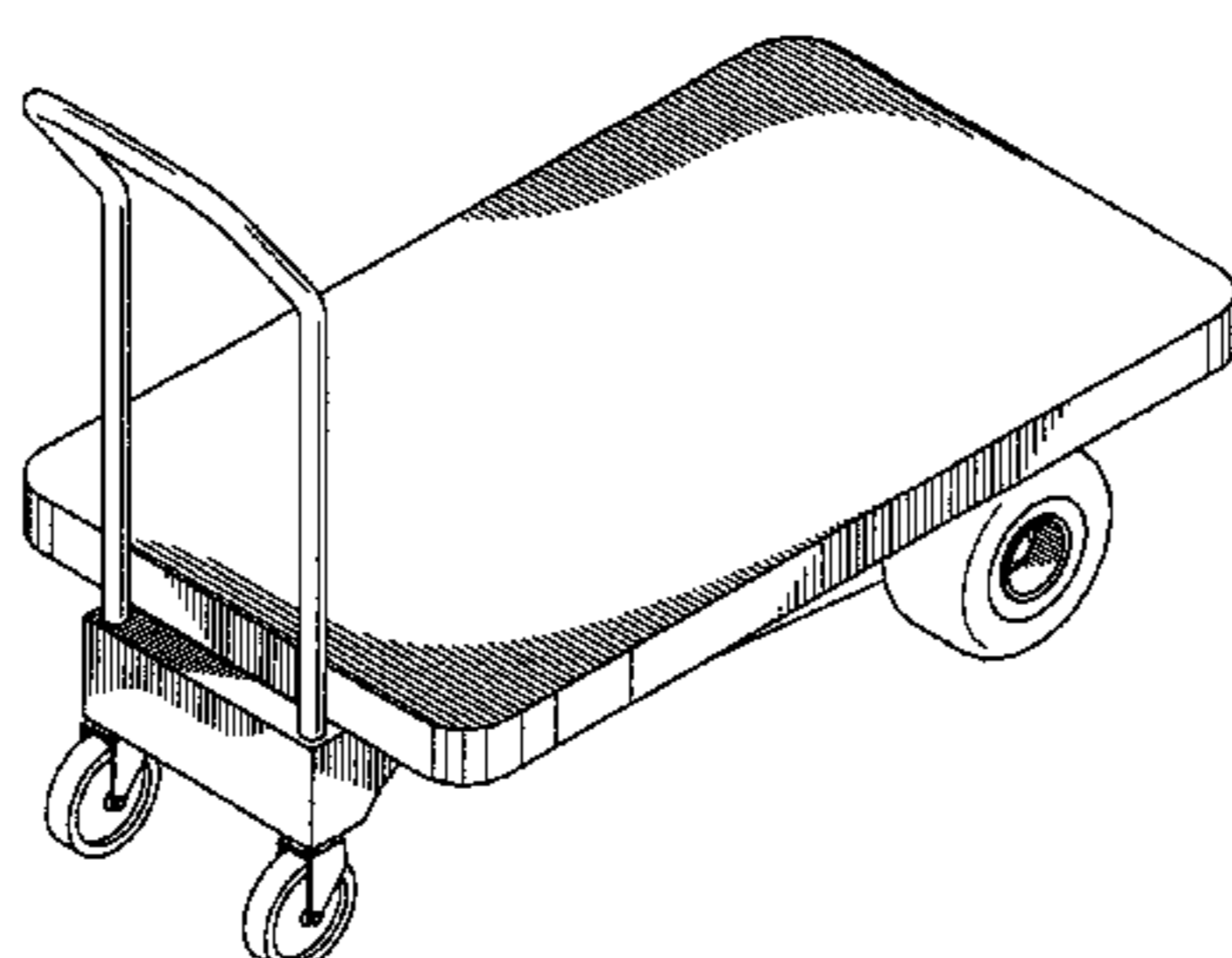
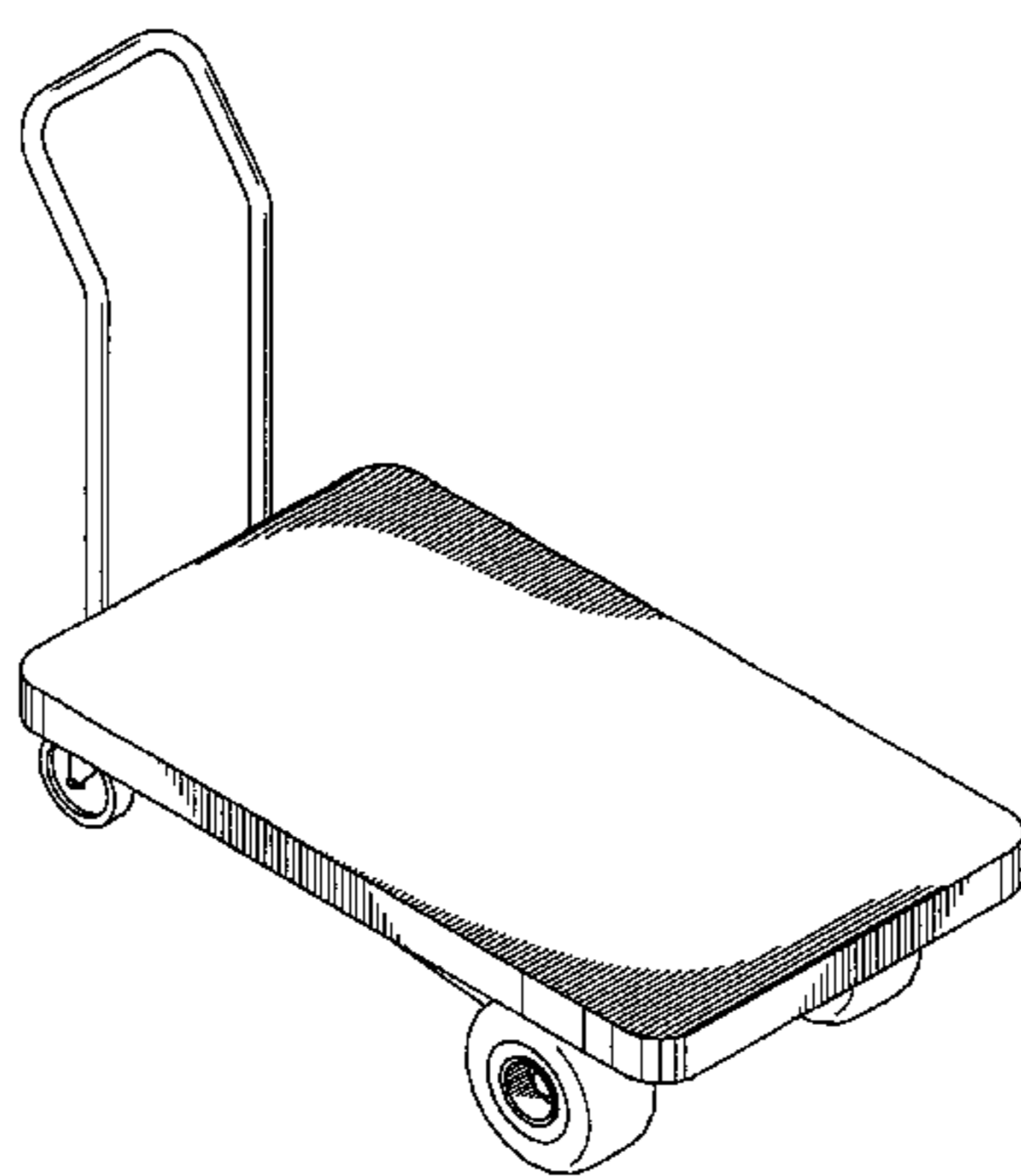
FIG. 4 is a front elevation view of a dolly showing my new design;

FIG. 5 is a right side elevational view of a dolly showing my new design, the left side elevational view being a mirror image thereof.

FIG. 6 is a top plan view of a dolly showing my new design; and,

FIG. 7 is a bottom plan view of a dolly showing my new design.

1 Claim, 4 Drawing Sheets



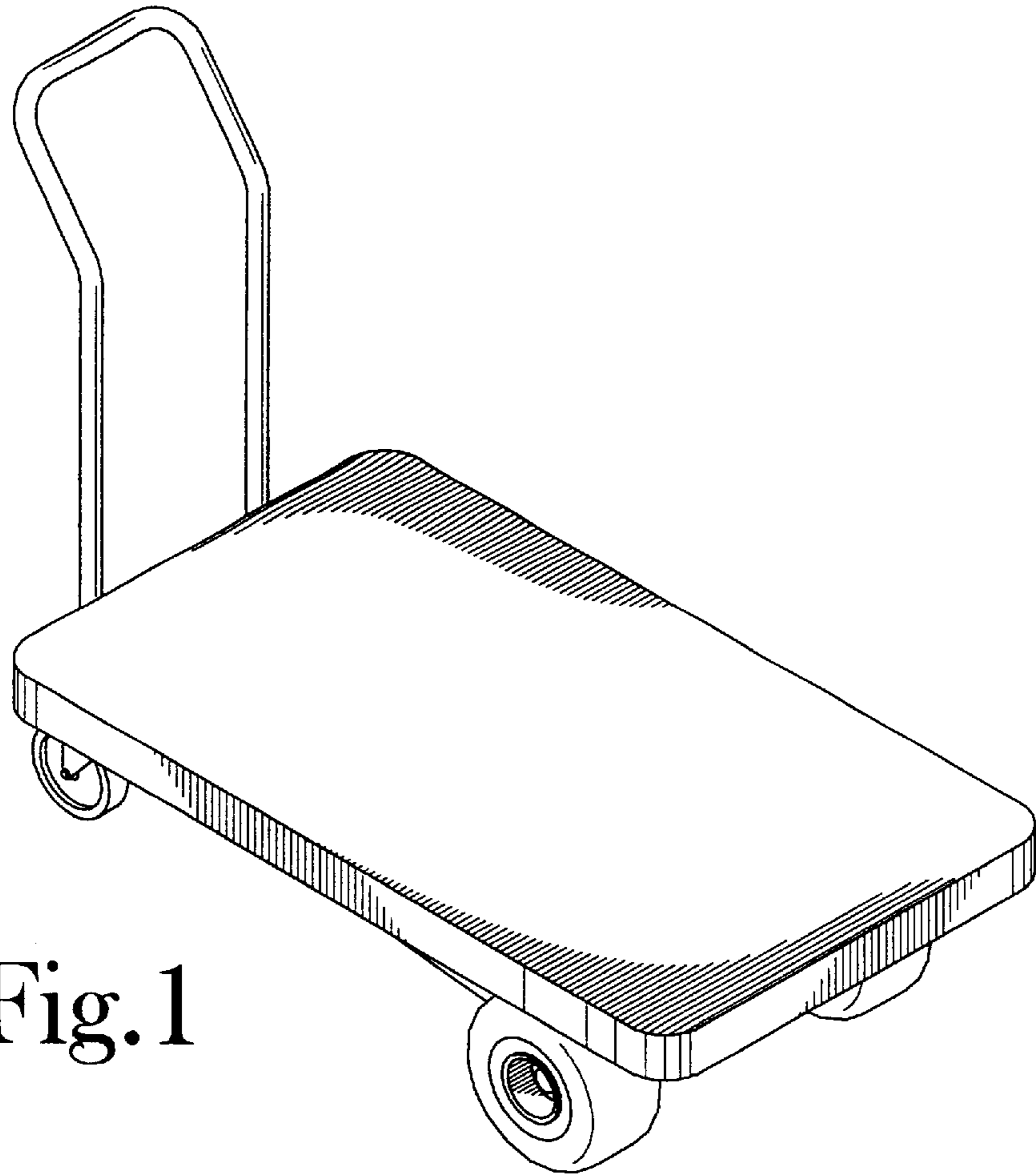


Fig. 1

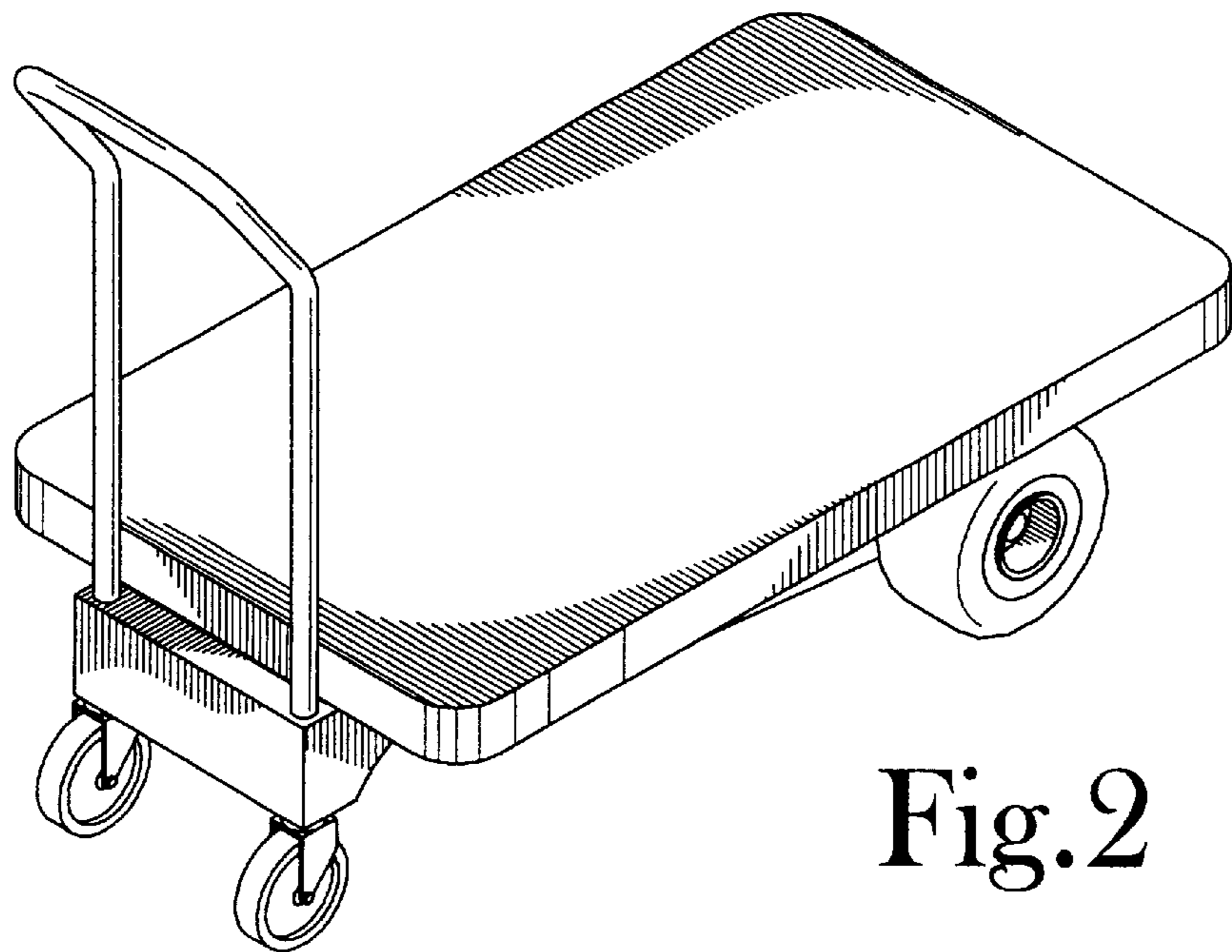


Fig. 2

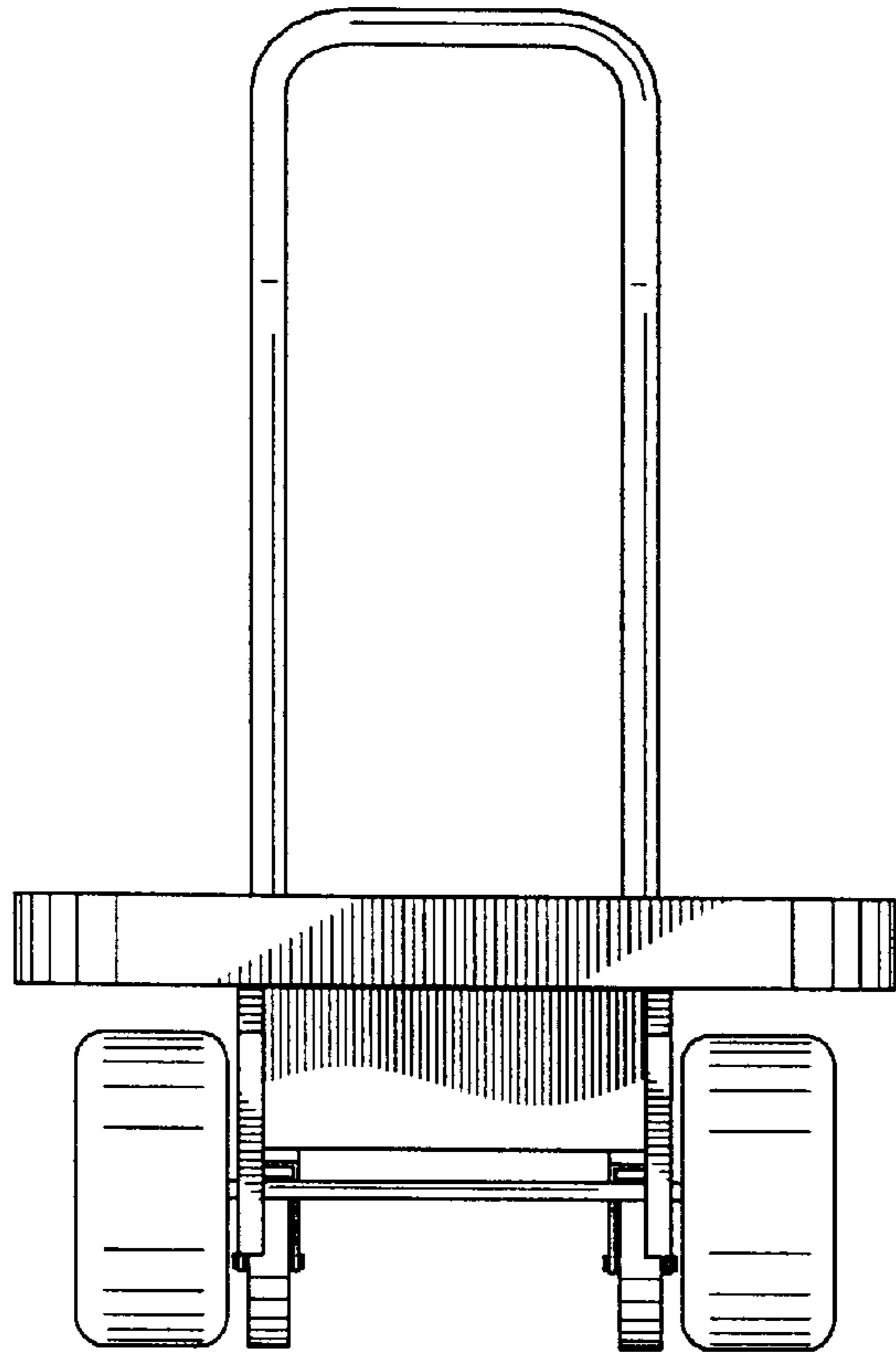


Fig. 3

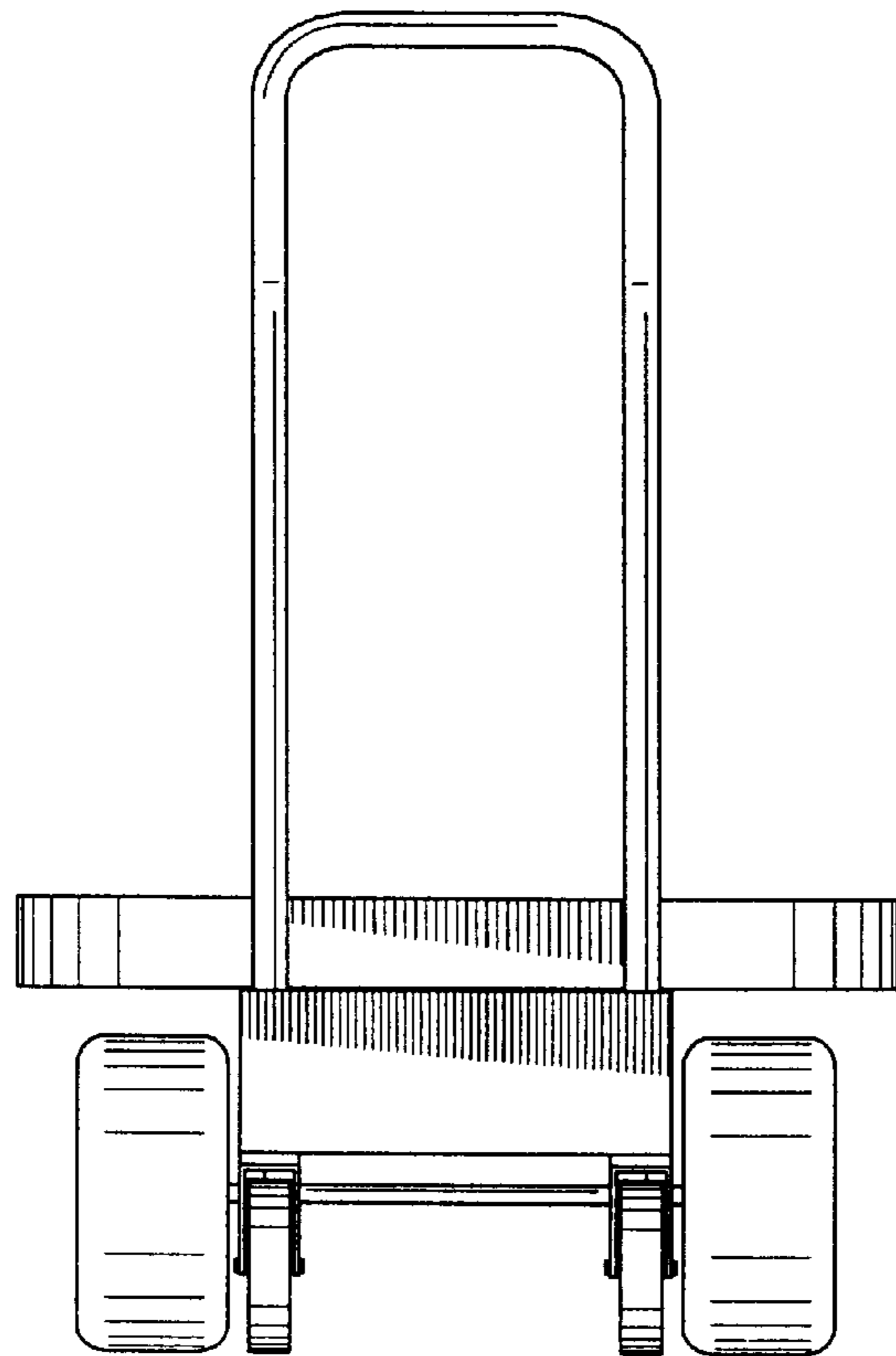


Fig. 4

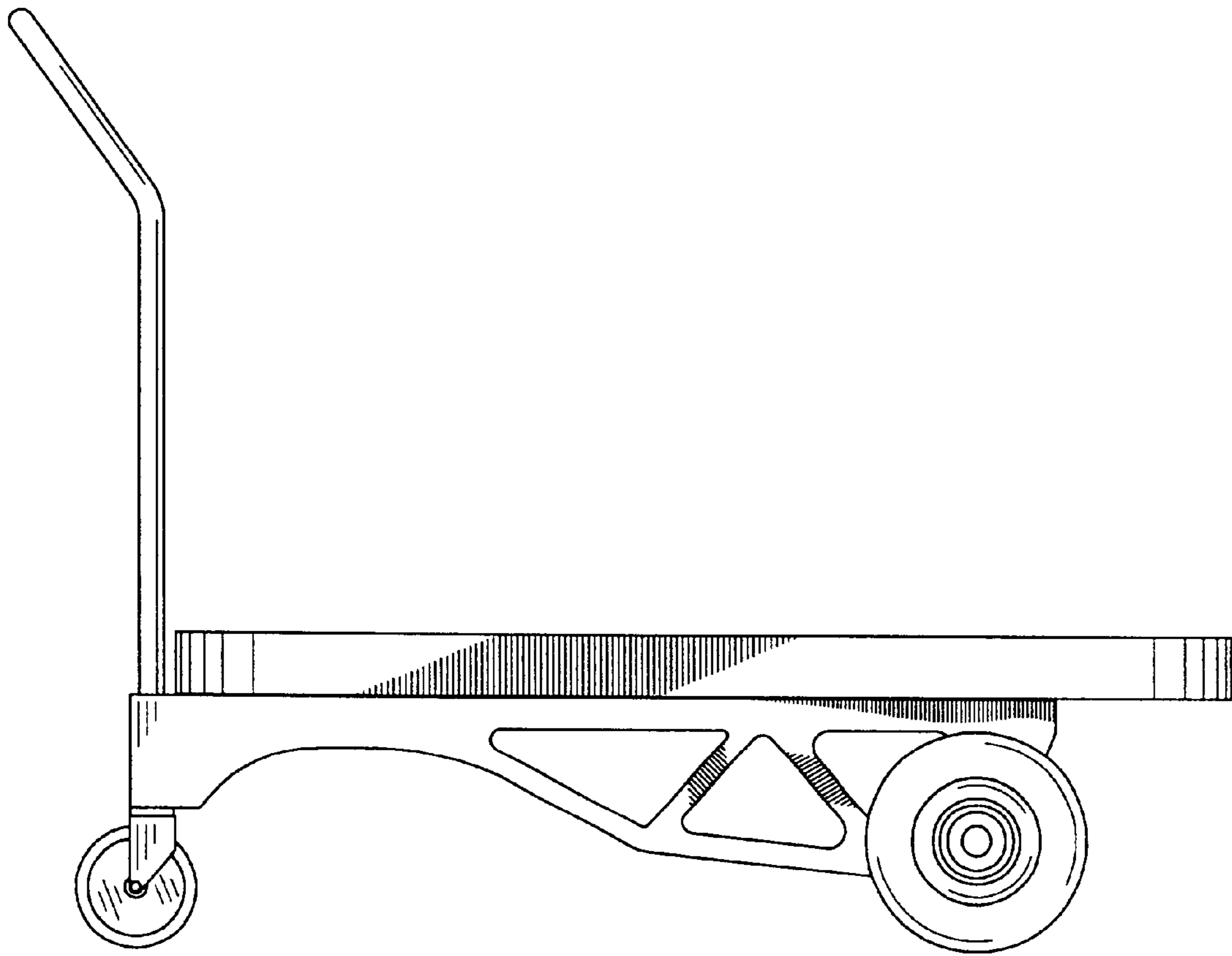


Fig. 5

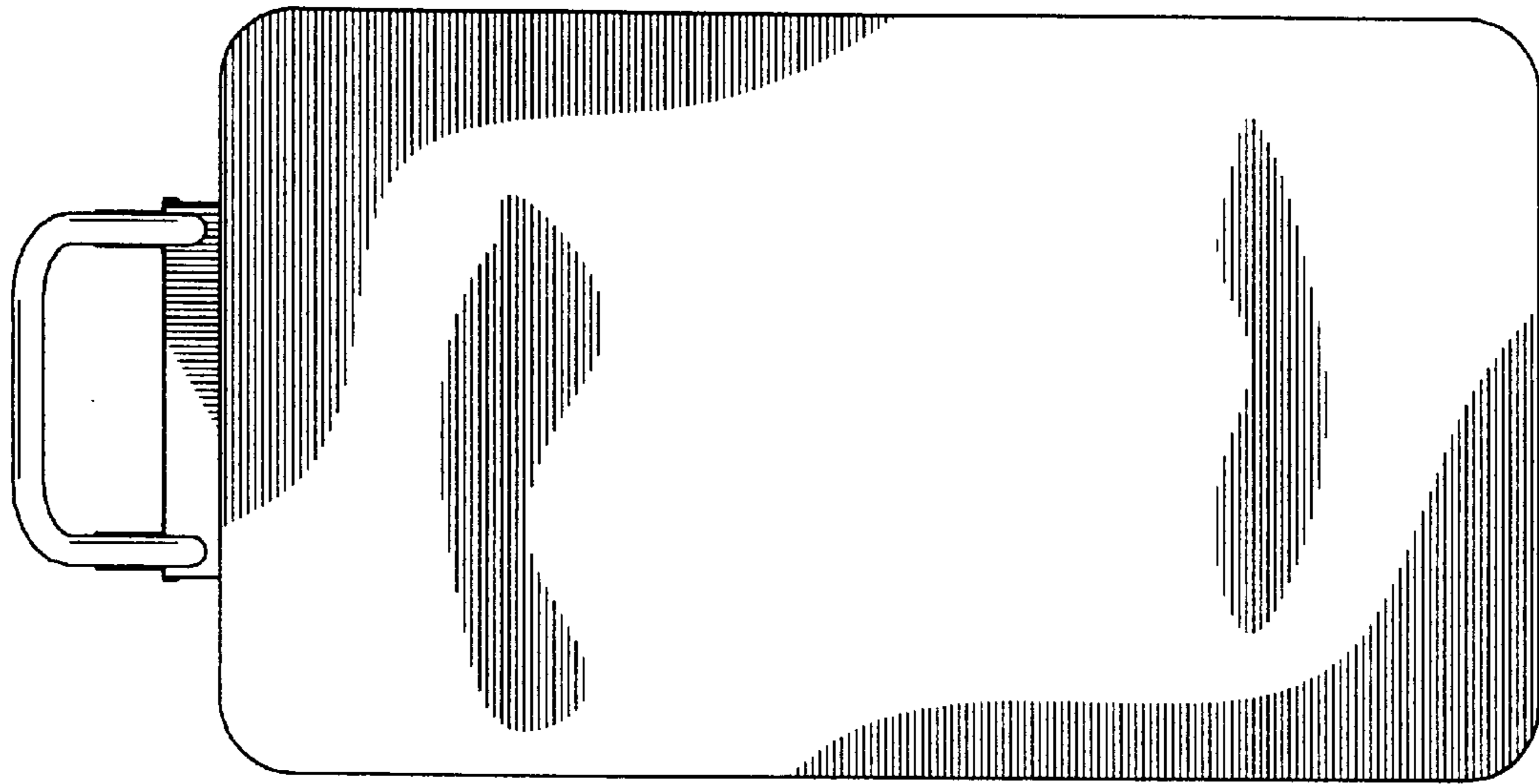


Fig.6

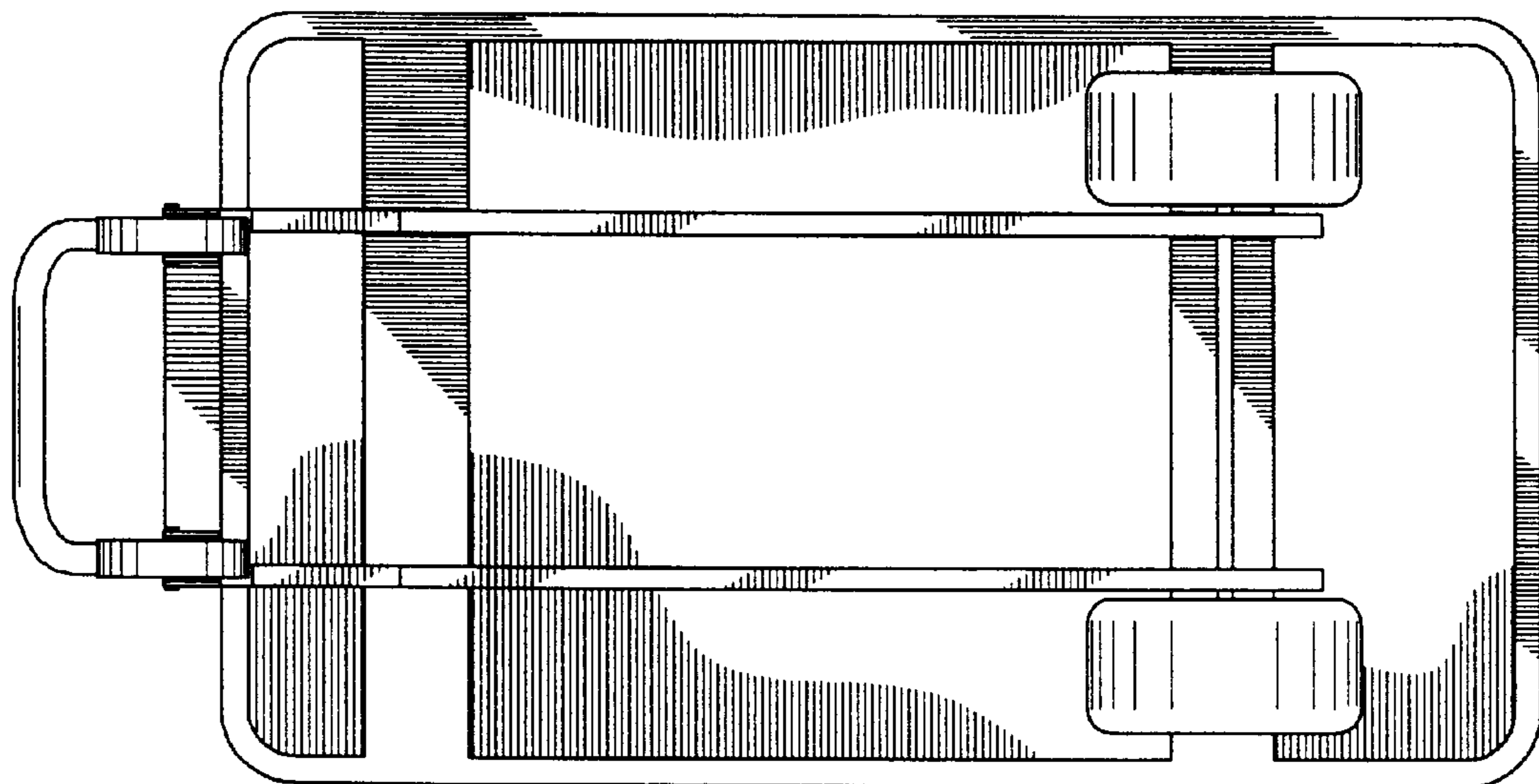


Fig.7