

US00D523199S

(12) **United States Design Patent**
Libman et al.

(10) **Patent No.:** **US D523,199 S**
(45) **Date of Patent:** **** Jun. 13, 2006**

(54) **BUCKET WRINGER**

(75) Inventors: **Robert J. Libman**, Champaign, IL
(US); **Enzo Berti**, Dolo/Venice (IT)

(73) Assignee: **The Libman Company**, Arcola, IL
(US)

(**) Term: **14 Years**

(21) Appl. No.: **29/180,305**

(22) Filed: **Apr. 22, 2003**

Related U.S. Application Data

(63) Continuation of application No. 29/174,057, filed on Jan. 10, 2003, now Pat. No. Des. 499,223.

(51) **LOC (8) Cl.** **07-07**

(52) **U.S. Cl.** **D32/54**

(58) **Field of Classification Search** D32/53,
D32/54; 15/260, 261, 263, 264; 68/241, 243;
100/131, 132

See application file for complete search history.

(56) **References Cited**

U.S. PATENT DOCUMENTS

D218,778 S * 9/1970 Gunfaus D32/54

D223,774 S * 6/1972 Swanson et al. D32/54
4,735,332 A * 4/1988 Thumser 15/260 X
D383,270 S * 9/1997 Weihsrauch D32/54
D410,310 S * 5/1999 Haley et al. D32/54
D427,738 S * 7/2000 McRorie, III et al. D32/54

FOREIGN PATENT DOCUMENTS

DE 100 45 525 C 1 2/2002

* cited by examiner

Primary Examiner—Alan P. Douglas

Assistant Examiner—Lavone D. Tabor

(74) *Attorney, Agent, or Firm*—Banner & Witcoff, Ltd.

(57) **CLAIM**

The ornamental design for a bucket wringer, as shown and described.

DESCRIPTION

FIG. 1 is a perspective view of a bucket wringer in accordance with the present invention;

FIG. 2 is an enlarged side view thereof;

FIG. 3 is an enlarged top view thereof; and,

FIG. 4 is an enlarged front view of the bucket wringer.

The broken line environmental showing is for illustrative purposes only and form no part of the claimed design.

1 Claim, 4 Drawing Sheets

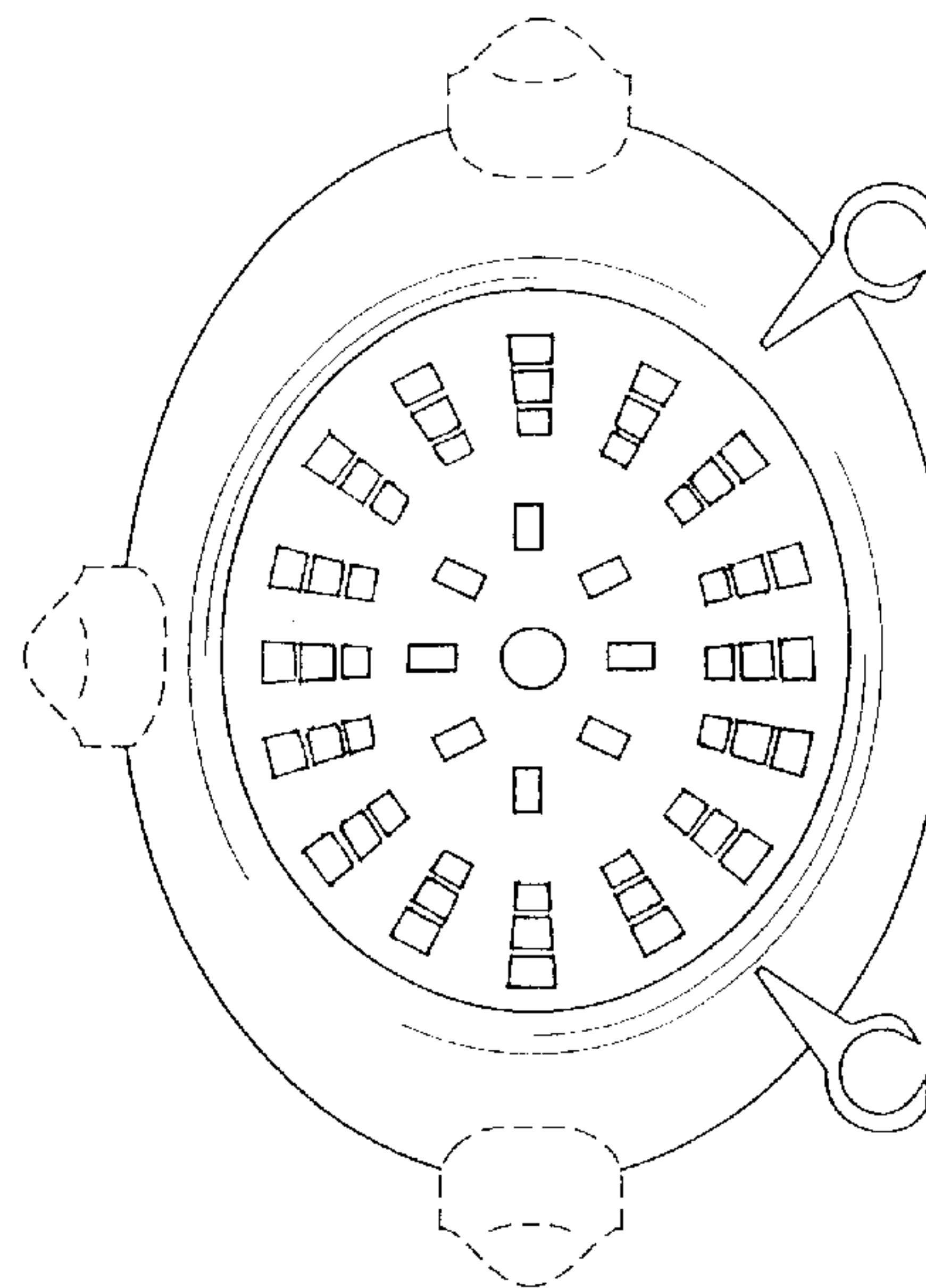
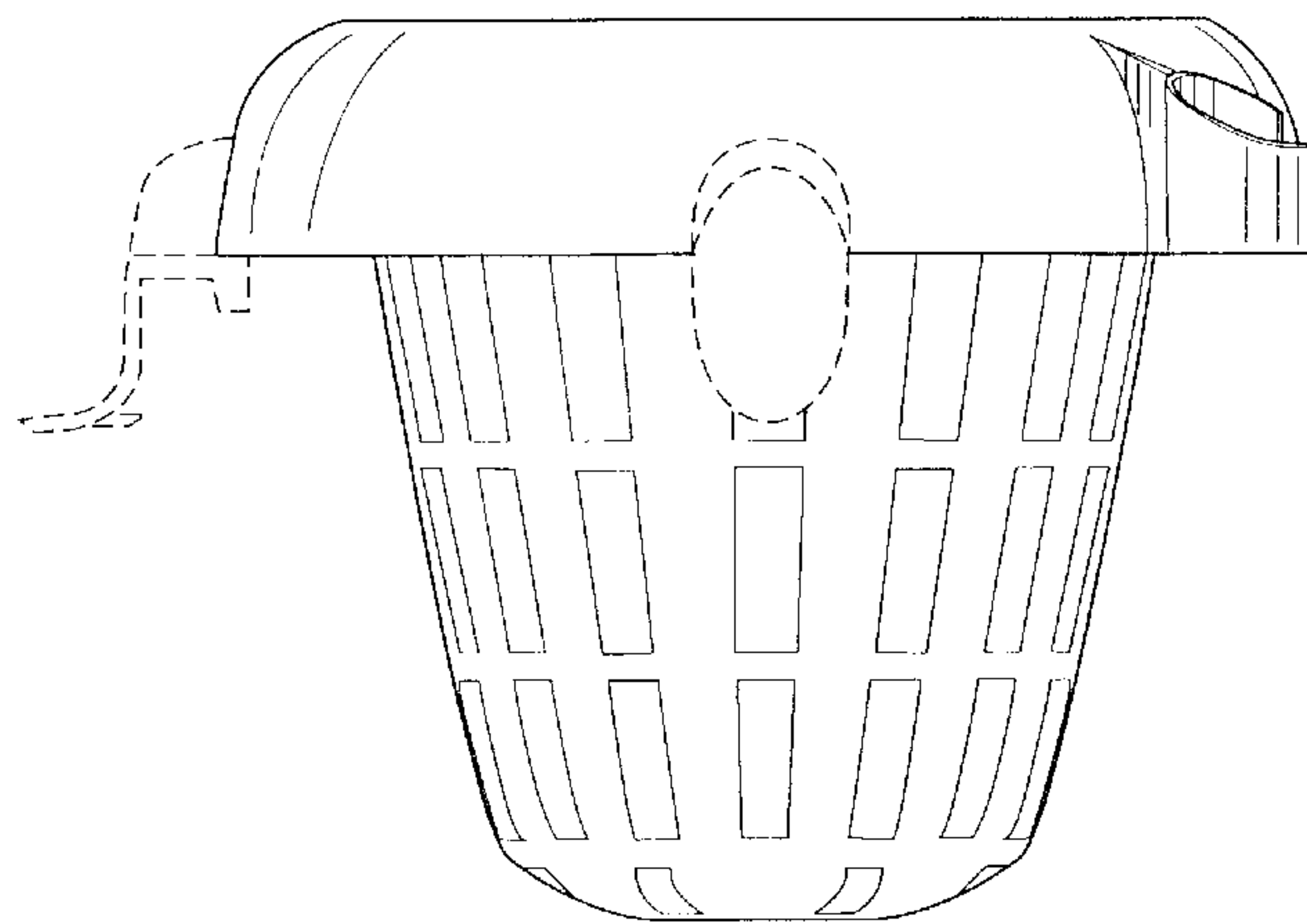


FIG. 1

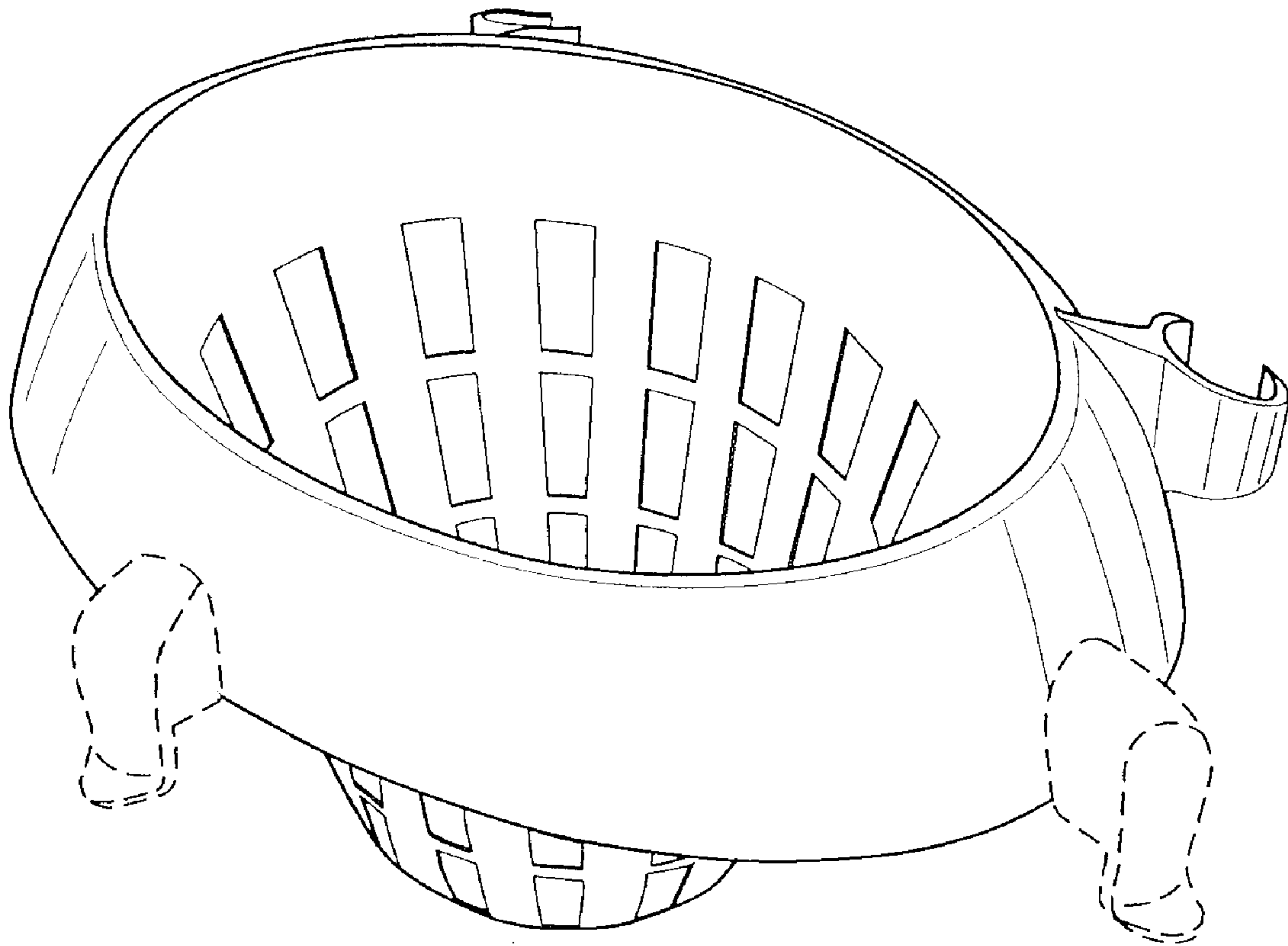


FIG. 2

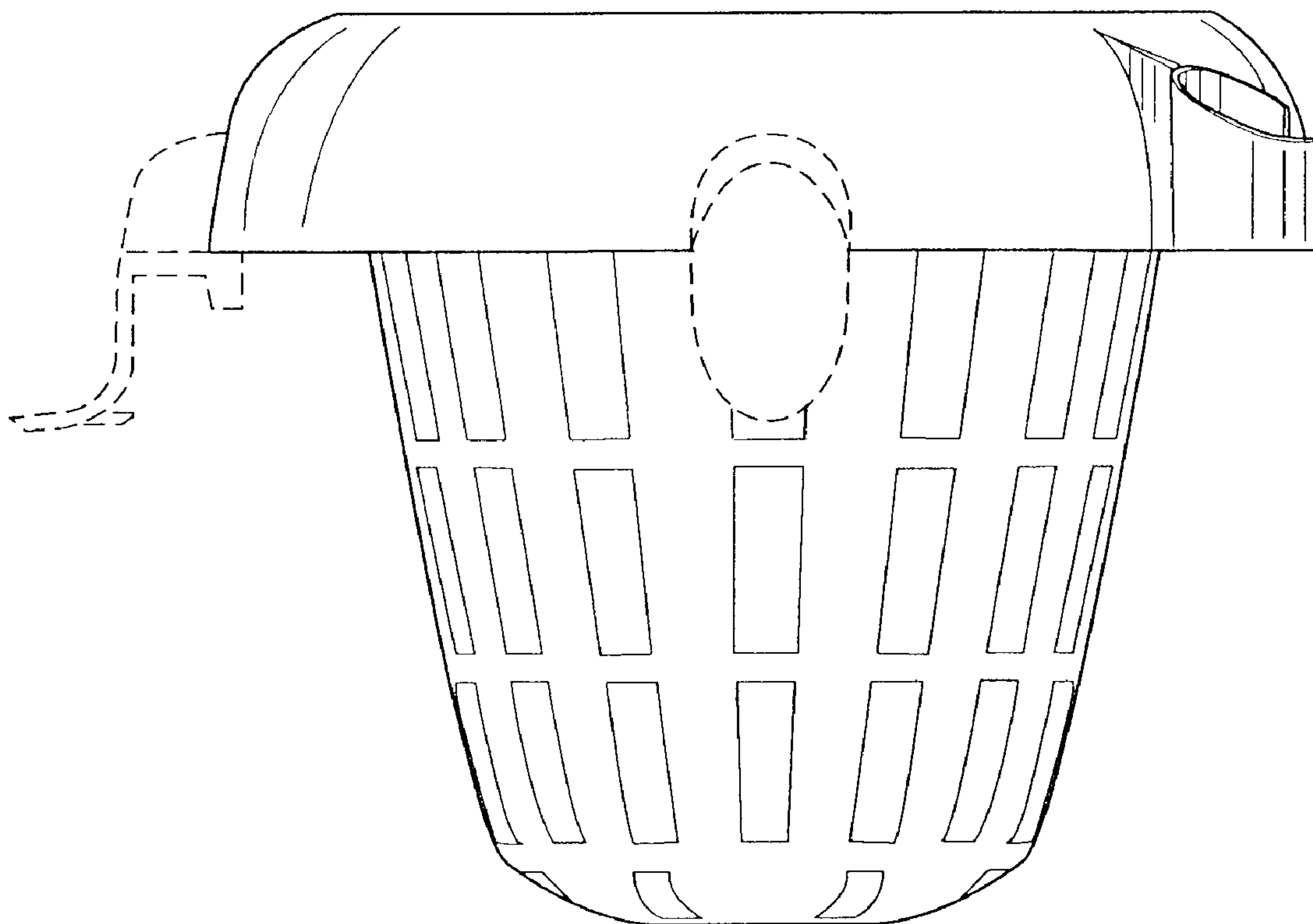


FIG. 3

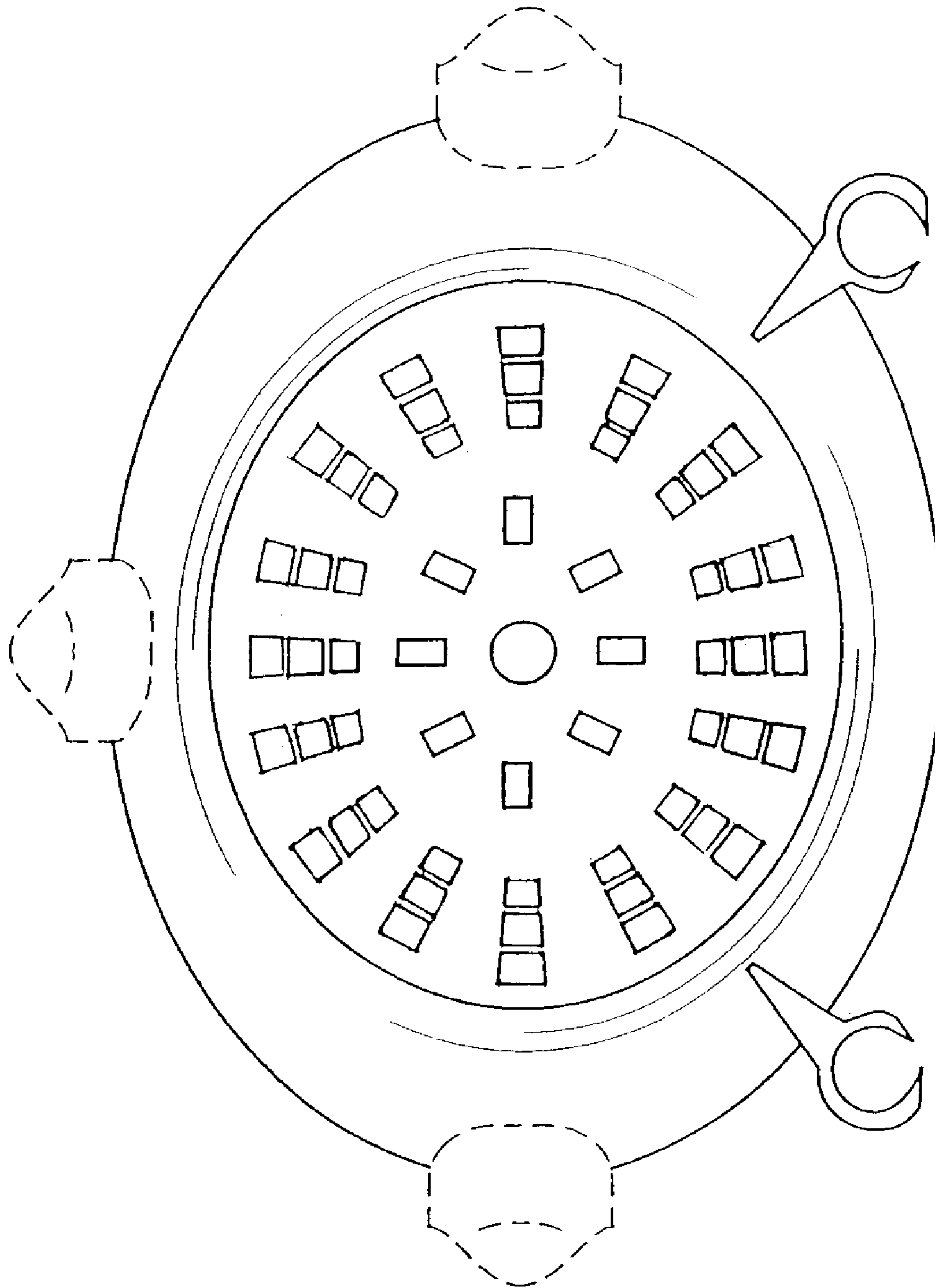


FIG. 4

