

US00D523198S

(12) **United States Design Patent**
Veltrop et al.

(10) **Patent No.:** **US D523,198 S**

(45) **Date of Patent:** **** Jun. 13, 2006**

(54) **GRILL SCRAPER**

(75) Inventors: **Loren J. Veltrop**, Deerfield, IL (US);
Lawrence G. Banovez, Kenosha, WI
(US); **Edward T. Eaton**, Wheaton, IL
(US)

(73) Assignee: **Prince Castle Inc.**, Carol Stream, IL
(US)

(**) Term: **14 Years**

(21) Appl. No.: **29/237,419**

(22) Filed: **Aug. 31, 2005**

Related U.S. Application Data

(62) Division of application No. 29/154,161, filed on Jan. 18,
2002.

(51) **LOC (8) Cl.** **07-05**

(52) **U.S. Cl.** **D32/49**

(58) **Field of Classification Search** D32/35,
D32/40, 44, 46, 48, 49; 15/236.01, 236.02,
15/236.05, 236.09, 143.1, 111; 30/169, 171
See application file for complete search history.

(56) **References Cited**

U.S. PATENT DOCUMENTS

D172,537 S * 7/1954 Hill D32/42

4,542,553 A * 9/1985 Cary 15/236.04
4,763,547 A * 8/1988 Dike, Jr. 30/169
5,001,946 A * 3/1991 Shirlin et al. 30/169
D381,483 S * 7/1997 Hartman D32/48
6,216,306 B1 * 4/2001 Esterson et al. 15/111
2003/0106569 A1 * 6/2003 Marion et al. 15/236.02

* cited by examiner

Primary Examiner—Jennifer Rivard

(74) *Attorney, Agent, or Firm*—John R. Hoffman

(57) **CLAIM**

The ornamental design for the grill scraper, as shown and
described.

DESCRIPTION

FIG. 1 is a front elevational view of our design;
FIG. 2 is a side elevational view, the opposite side being a
mirror image thereof;
FIG. 3 is a top plan view;
FIG. 4 is a bottom plan;
FIG. 5 is a front elevational view looking toward the
left-hand ends of FIGS. 2–4; and,
FIG. 6 is a rear elevational view looking at the right-hand
ends of FIGS. 2–4.

1 Claim, 1 Drawing Sheet

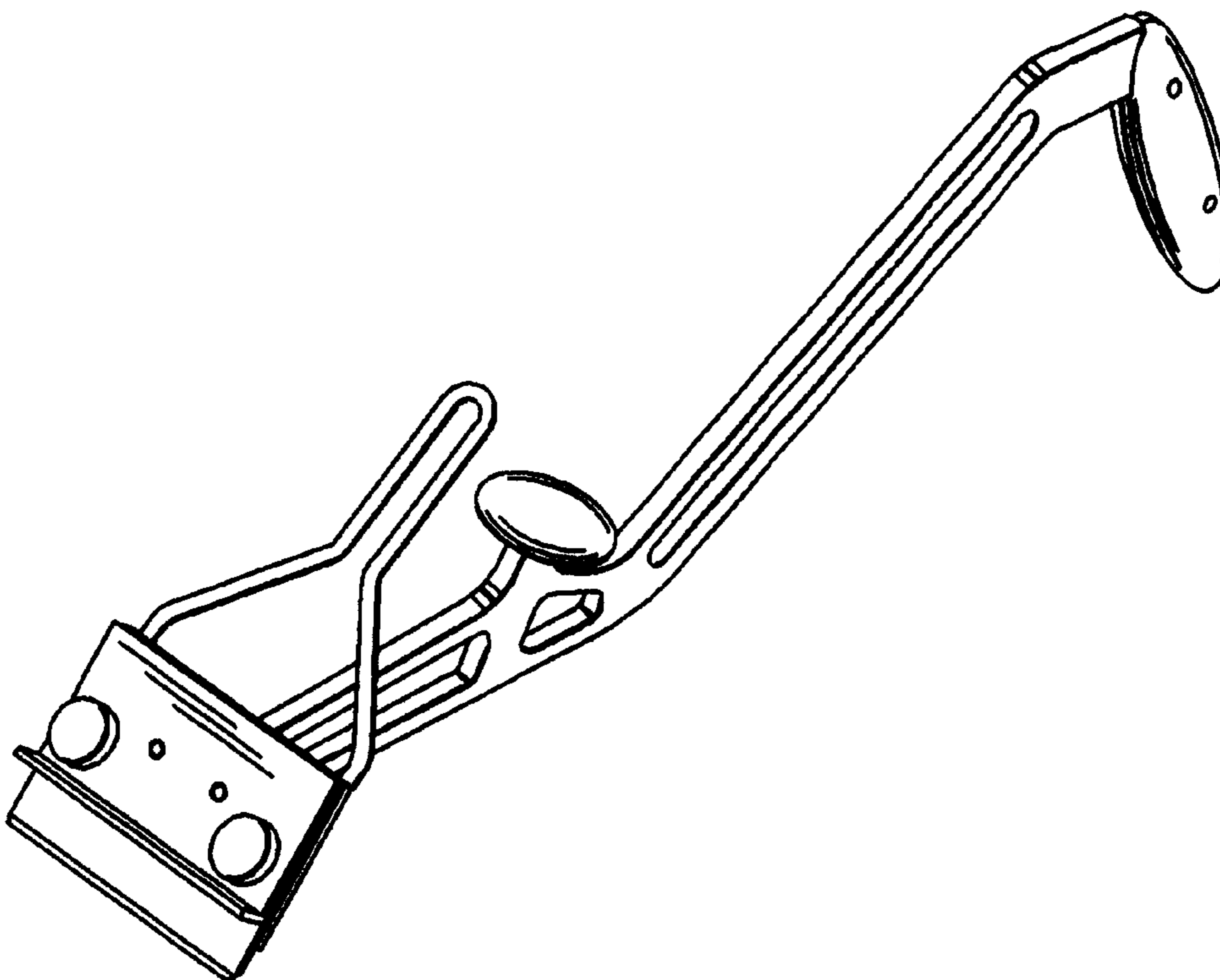




FIG. 3

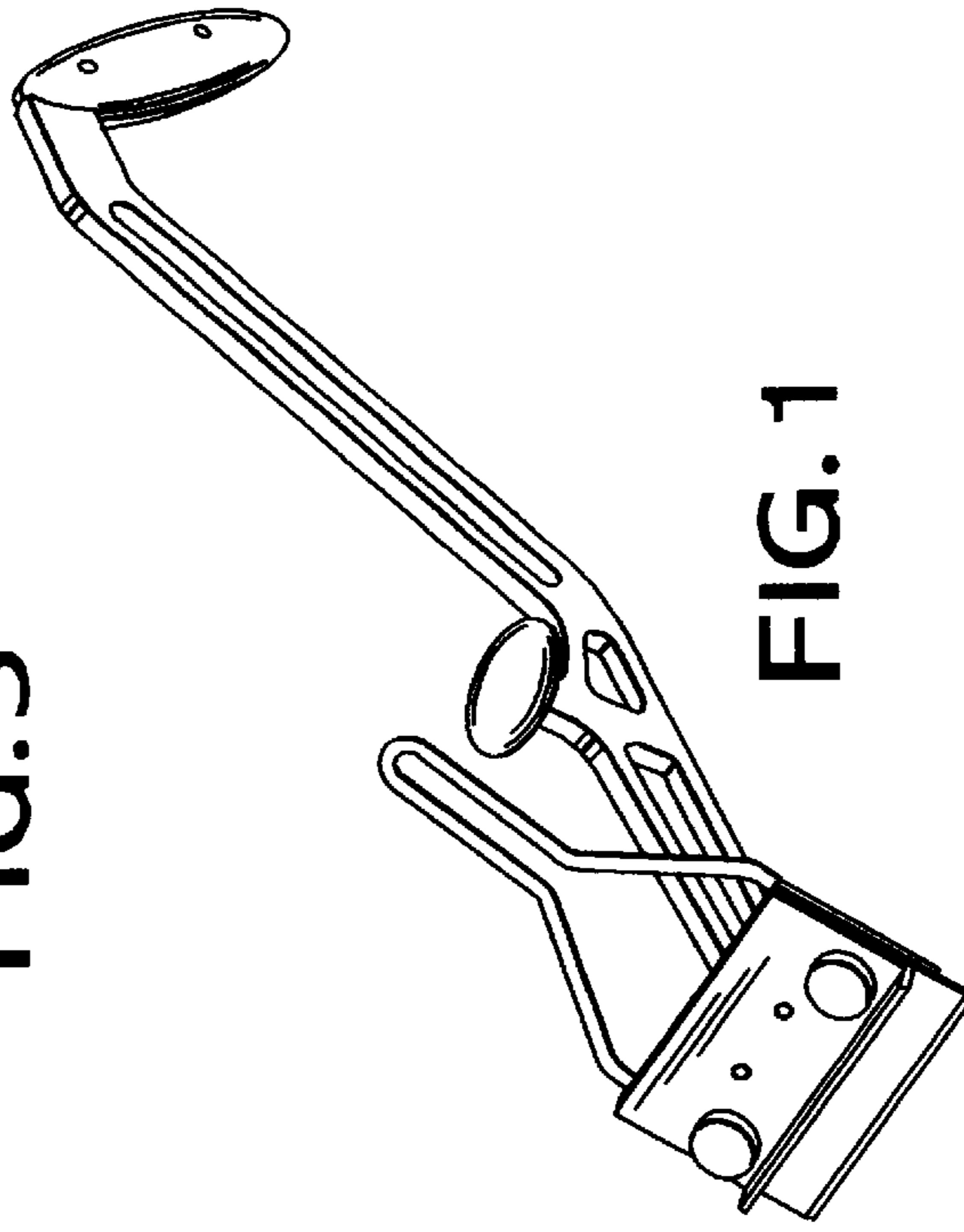


FIG. 1

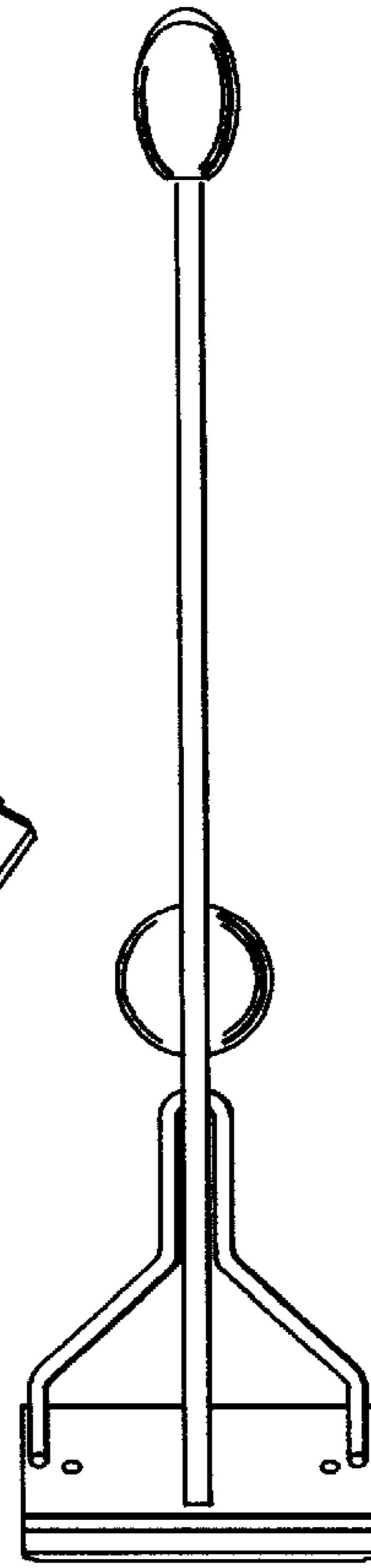


FIG. 4

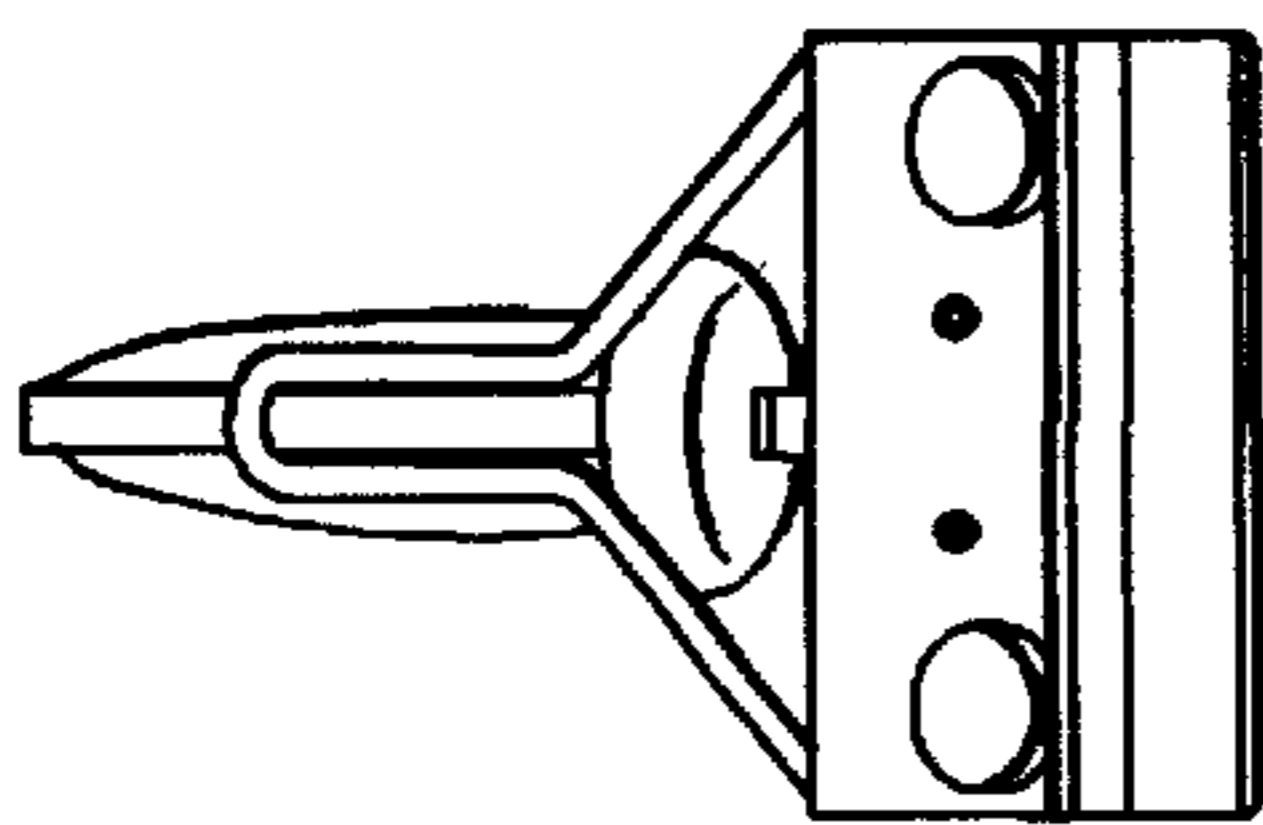


FIG. 5

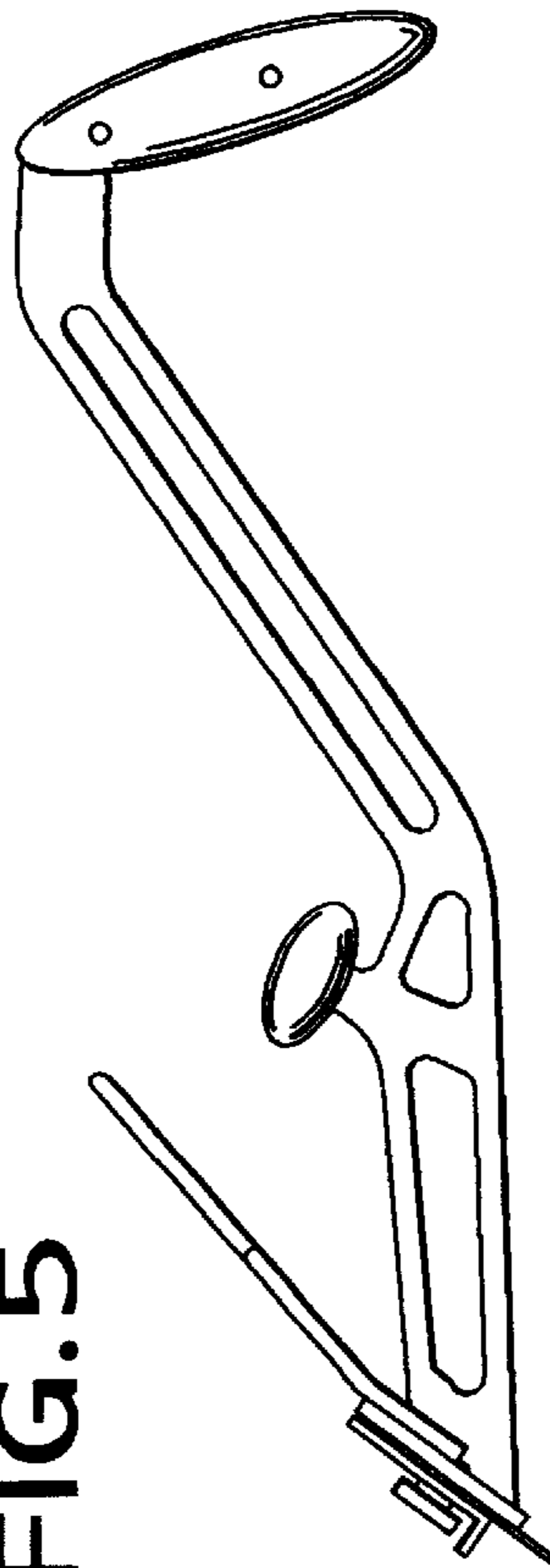


FIG. 2

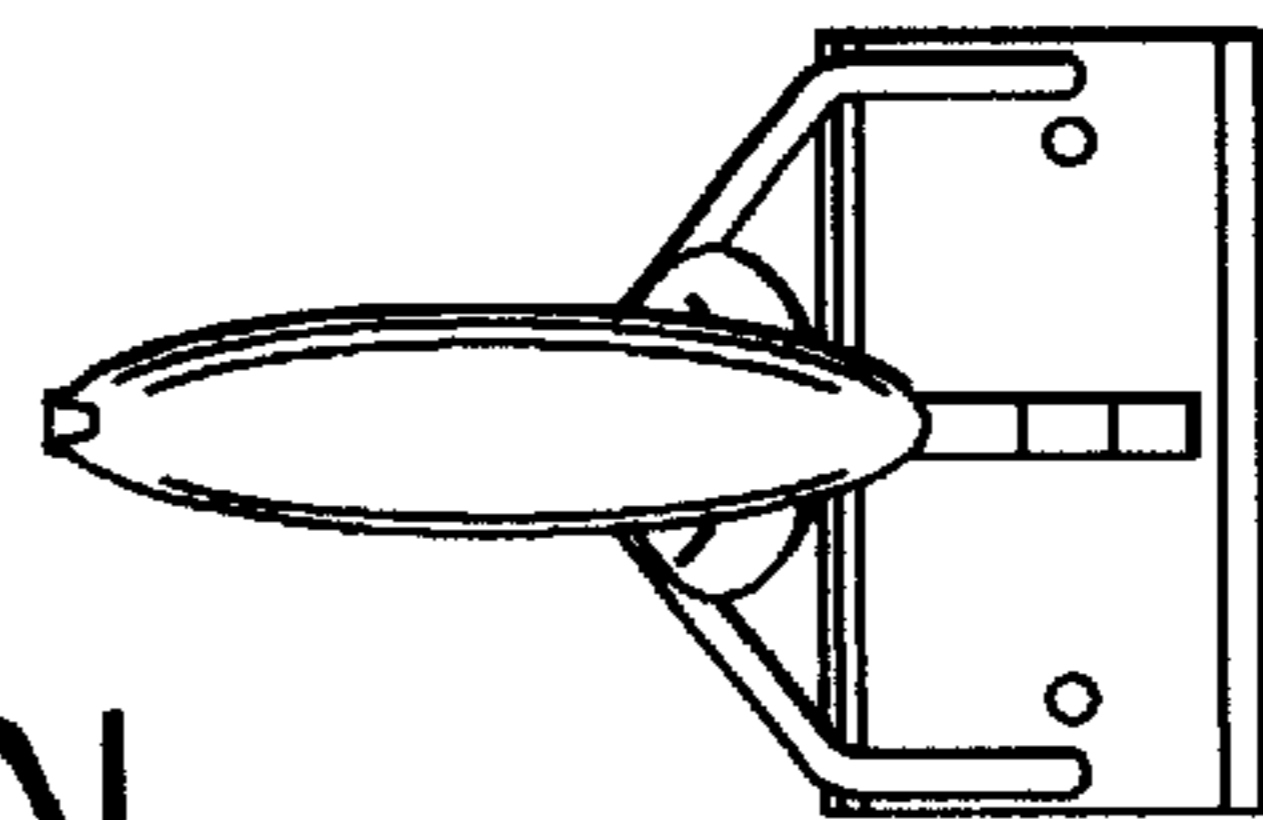


FIG. 6