

US00D523195S

(12) **United States Design Patent**
Choi

(10) **Patent No.:** **US D523,195 S**
(45) **Date of Patent:** **** Jun. 13, 2006**

(54) **BODY OF VACUUM CLEANER**
(75) Inventor: **Kyu Kwan Choi**, Kyunggi-do (KR)
(73) Assignee: **LG Electronics Inc.**, Seoul (KR)
(**) Term: **14 Years**

D456,101 S * 4/2002 Lee D32/21
D460,843 S * 7/2002 Saimen et al. D32/21
D476,783 S * 7/2003 Kondo et al. D32/21
D477,443 S * 7/2003 Kondo et al. D32/21
D484,285 S * 12/2003 Schroter D32/24
D485,653 S * 1/2004 Warburton D32/21
D490,580 S * 5/2004 Choi D32/21
D491,703 S * 6/2004 Harada D32/21
D498,886 S * 11/2004 Fujii D32/21

(21) Appl. No.: **29/222,091**
(22) Filed: **Jan. 27, 2005**

* cited by examiner

(30) **Foreign Application Priority Data**

Jul. 28, 2004 (KR) 30-2004-0023073

Primary Examiner—Ruth McInroy
(74) *Attorney, Agent, or Firm*—Birch, Stewart, Kolasch & Birch, LLP

(51) **LOC (8) Cl.** **15-05**
(52) **U.S. Cl.** **D32/21**
(58) **Field of Classification Search** D32/17–18,
D32/21–24, 31; 15/143.1, 320–321, 323,
15/327.1, 327.2, 327.4, 327.5, 327.6, 327.7,
15/329, 344, 350–353, 410, 412–413, DIG. 8,
15/DIG. 10; 55/337, 429, 459.1, 459.2, DIG. 2,
55/DIG. 3; 417/423.2; 95/268, 271
See application file for complete search history.

(57) **CLAIM**

I claim the ornamental design for body of vacuum cleaner,
as shown and described.

DESCRIPTION

FIG. 1 is a perspective view of body of vacuum cleaner
showing the new design;
FIG. 2 is a front elevation view thereof;
FIG. 3 is a rear elevation view thereof;
FIG. 4 is a left-side elevation view thereof;
FIG. 5 is a right-side elevation view thereof;
FIG. 6 is a top plan view thereof; and,
FIG. 7 is a bottom plan view thereof.

(56) **References Cited**

U.S. PATENT DOCUMENTS

D448,128 S * 9/2001 Oh D32/21
D455,529 S * 4/2002 Wu D32/21
D455,875 S * 4/2002 Lee D32/21

1 Claim, 5 Drawing Sheets

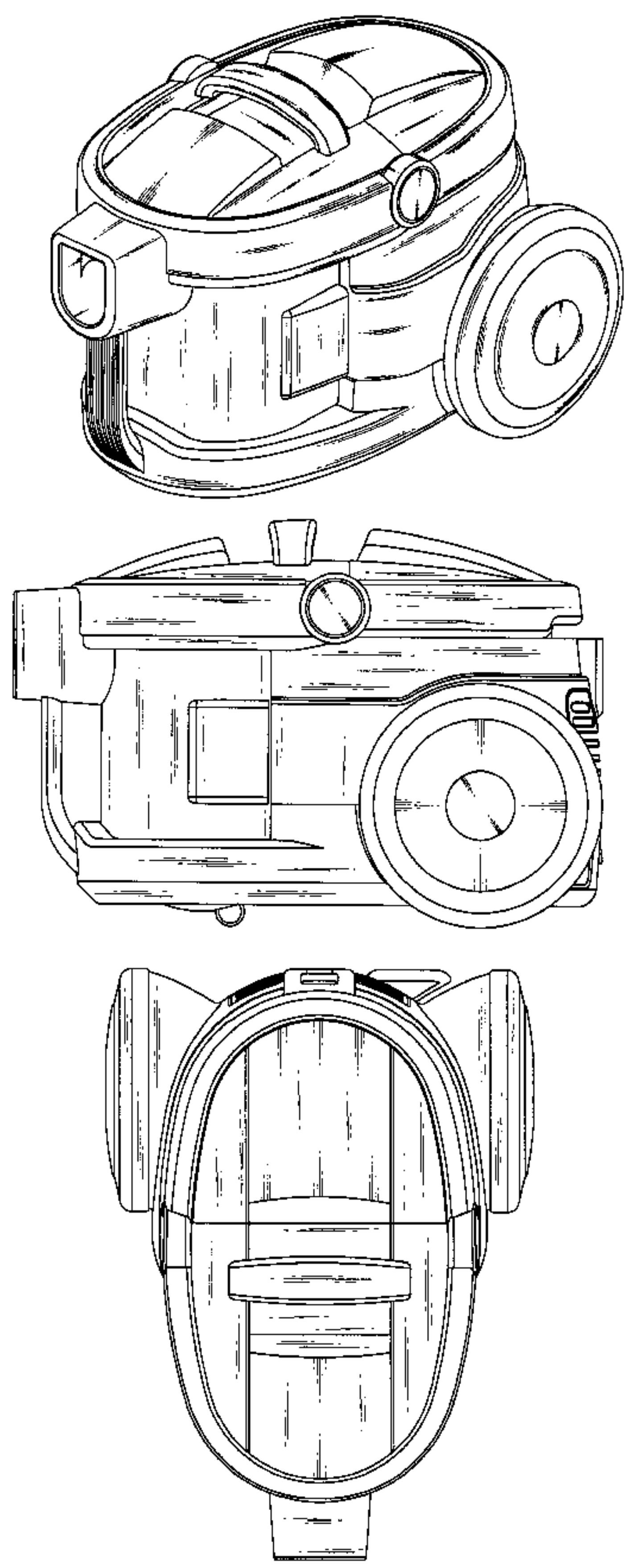


FIG. 1

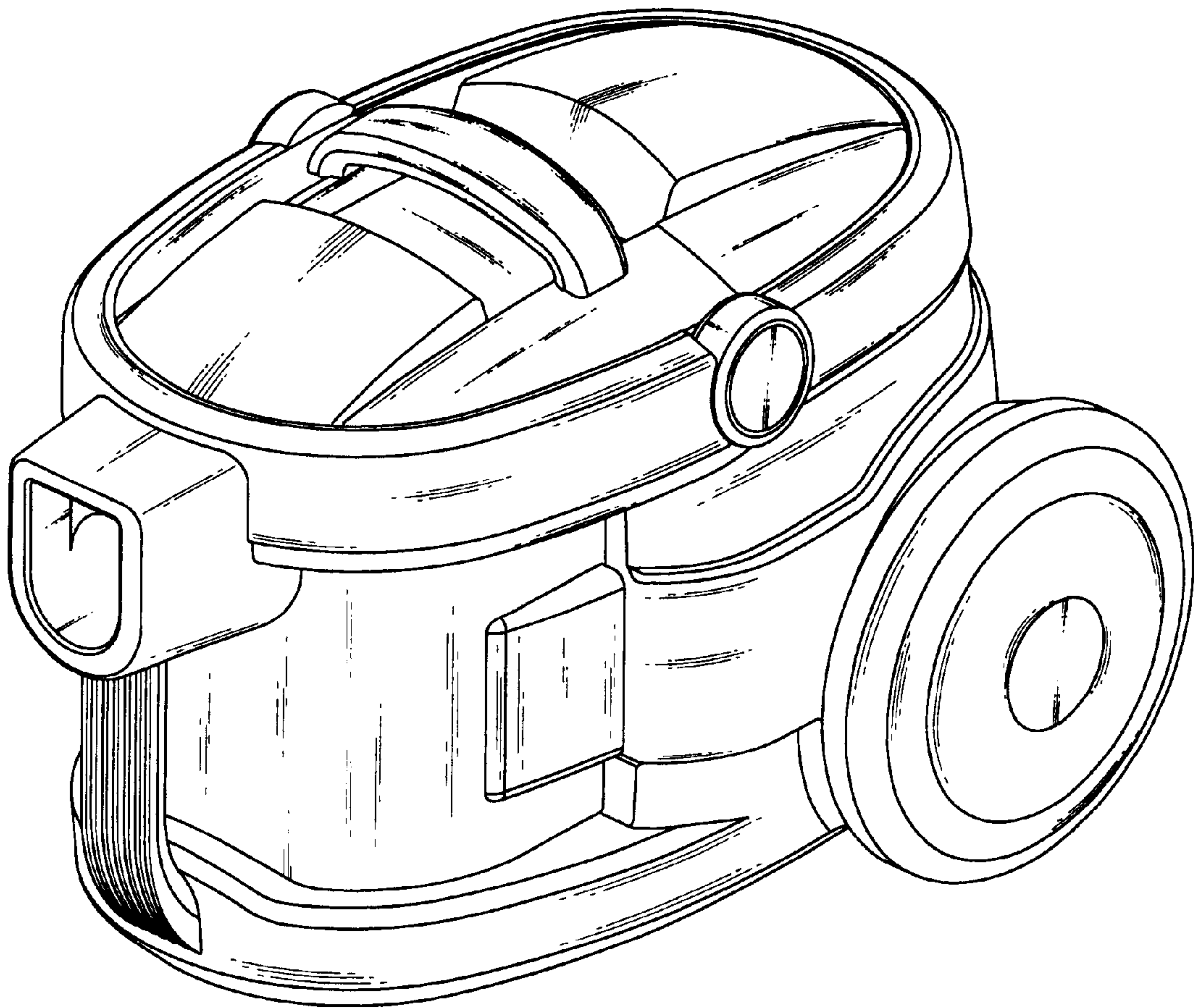


FIG. 2

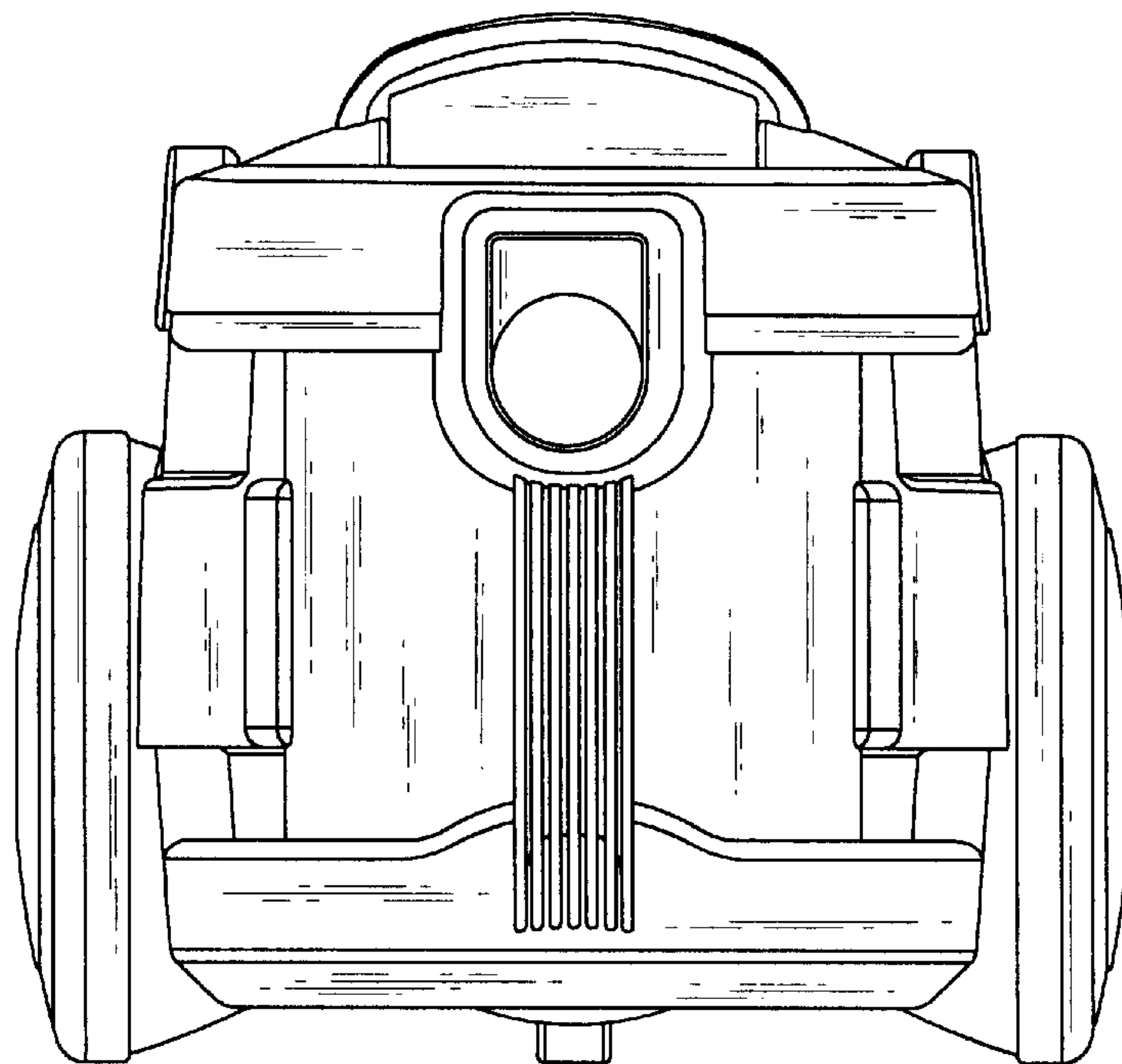


FIG. 3

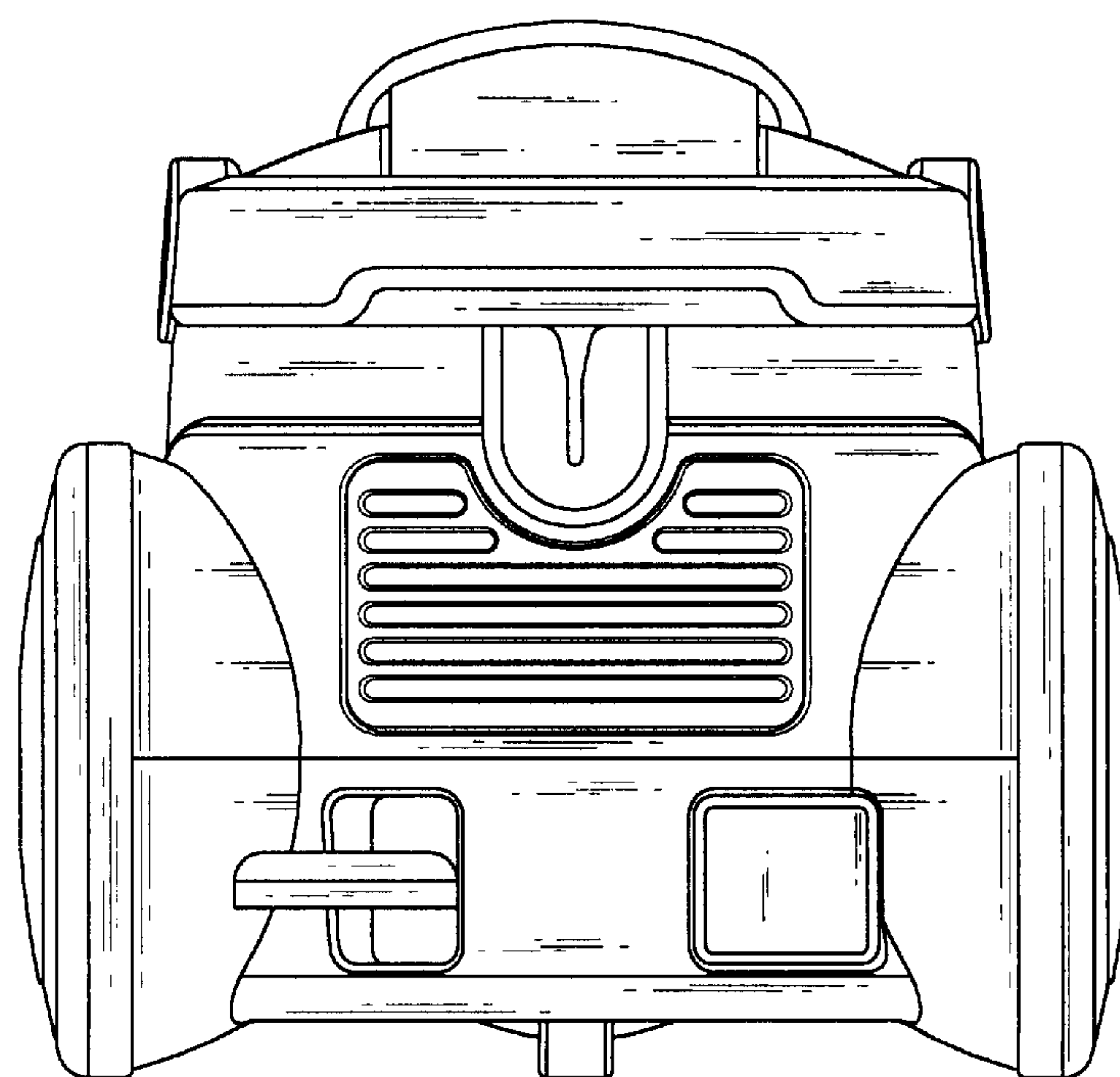


FIG. 4

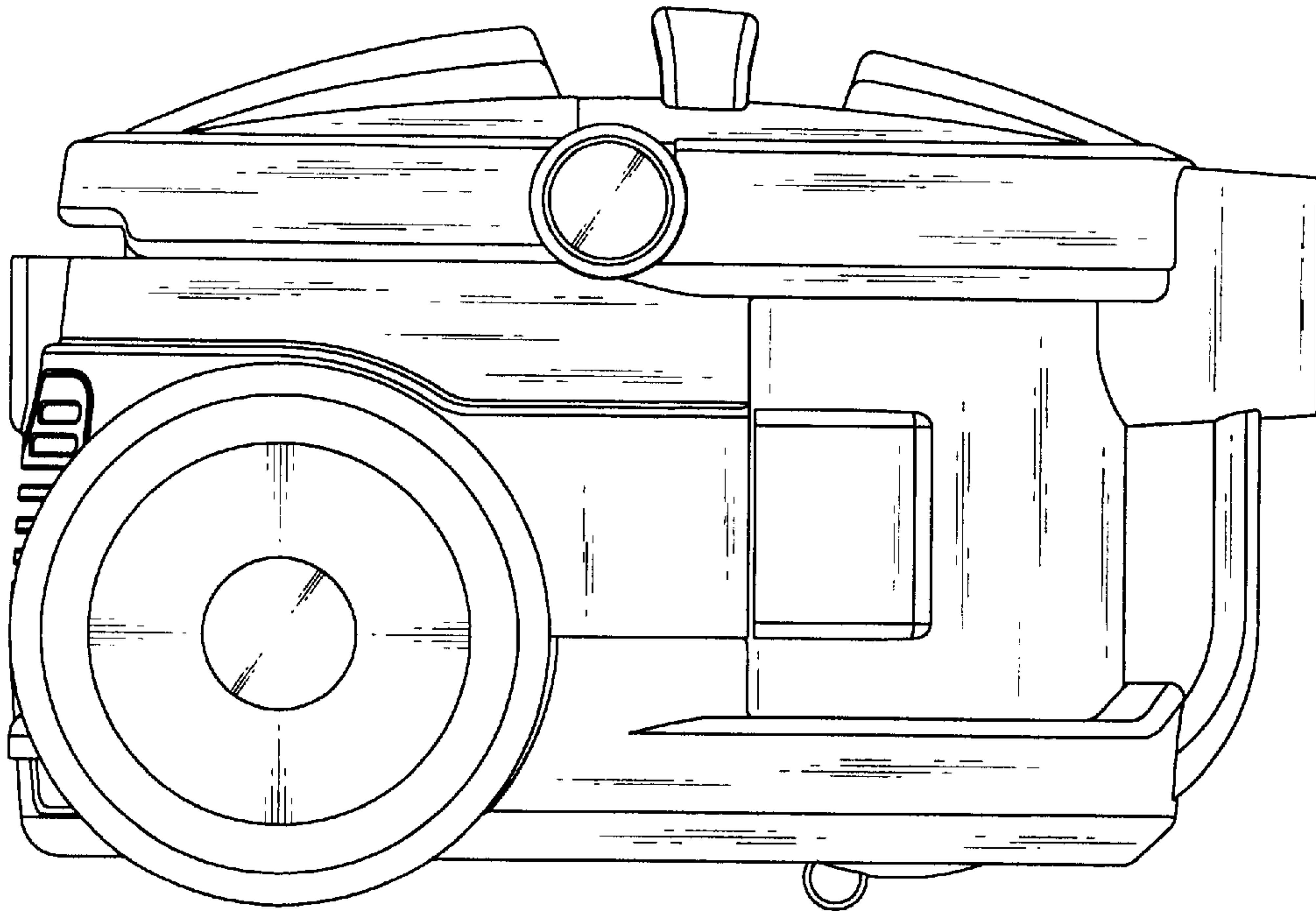


FIG. 5

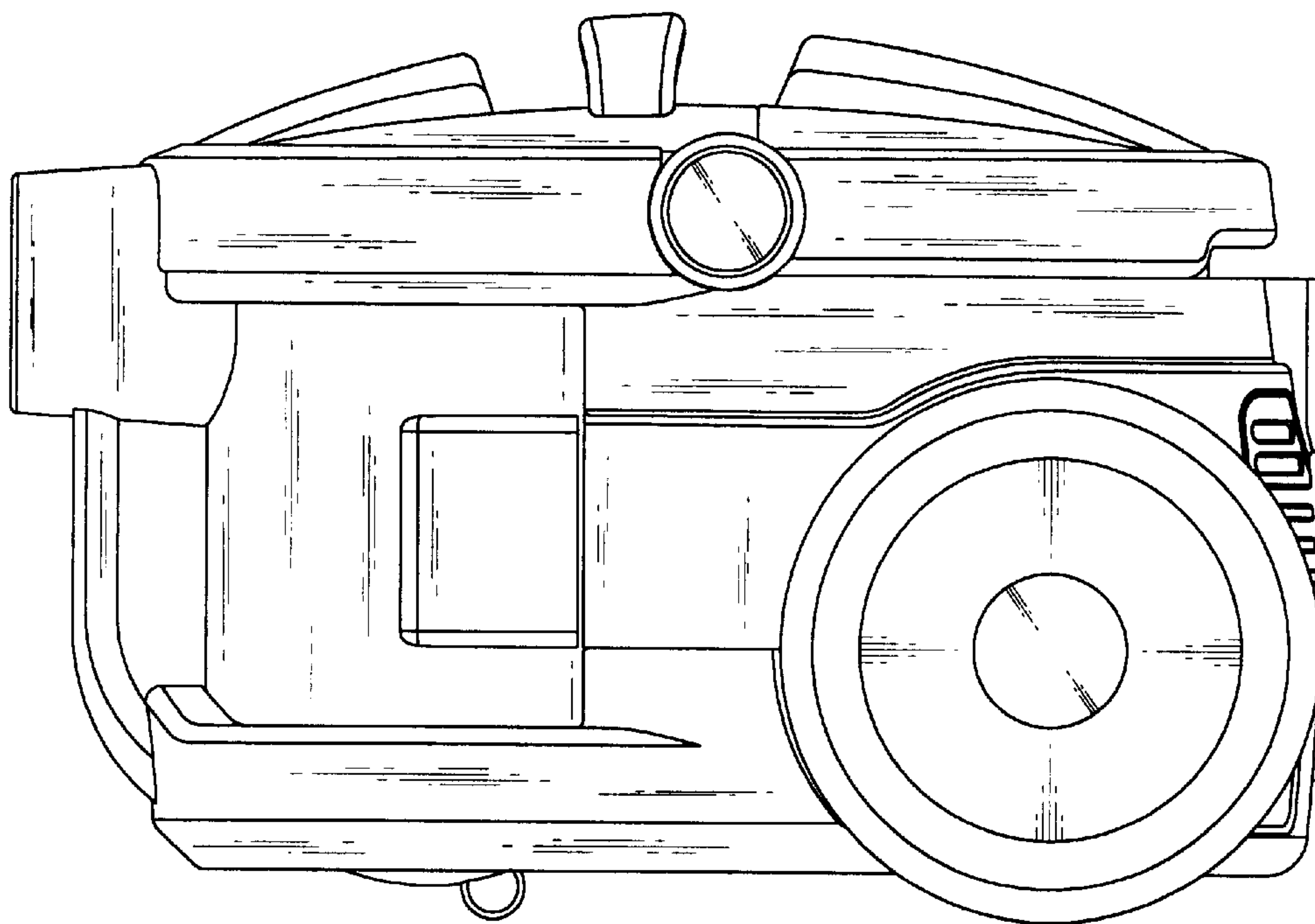


FIG. 6

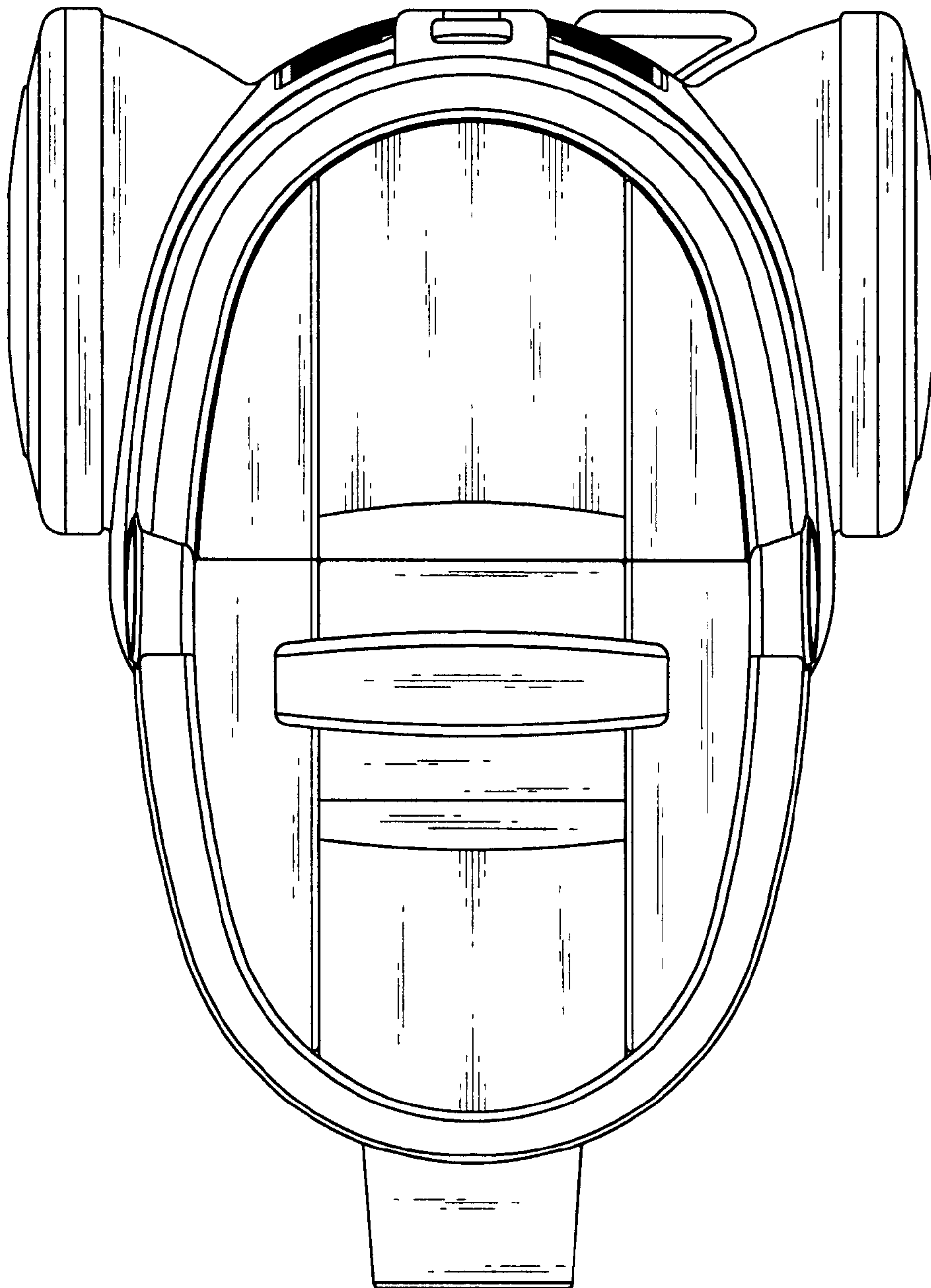


FIG. 7

