



US00D523193S

(12) **United States Design Patent**
Hong

(10) **Patent No.:** **US D523,193 S**

(45) **Date of Patent:** **** Jun. 13, 2006**

(54) **PRESSURE WASHER**

(75) Inventor: **David Hong**, Hong Kong (HK)

(73) Assignee: **Winners Products Engineering Ltd.**,
Hong Kong (HK)

(**) Term: **14 Years**

(21) Appl. No.: **29/213,860**

(22) Filed: **Sep. 24, 2004**

(51) **LOC (8) Cl.** **15-05**

(52) **U.S. Cl.** **D32/15**

(58) **Field of Classification Search** D32/1,
D32/15, 16, 21, 22, 25, 31; 15/347, 320,
15/321, 3, 323, 352, 403; 134/200; 239/146-9;
D15/7; D34/24, 27, 25, 26
See application file for complete search history.

(56) **References Cited**

U.S. PATENT DOCUMENTS

- D381,779 S * 7/1997 Pritchett et al. D32/21
- D481,838 S * 11/2003 Renner D32/15
- D488,596 S * 4/2004 Cattaneo D32/15
- D489,498 S * 5/2004 Cattaneo D32/15

- D490,196 S * 5/2004 Lanfredi D32/15
- D490,948 S * 6/2004 Cattaneo D32/15
- D496,503 S * 9/2004 Chen D32/16
- D496,763 S * 9/2004 Chen D32/16
- 2005/0189437 A1 * 9/2005 Alexander et al. 239/332

* cited by examiner

Primary Examiner—Louis S. Zarfes

Assistant Examiner—Kathleen Sims

(74) *Attorney, Agent, or Firm*—Bacon & Thomas PLLC

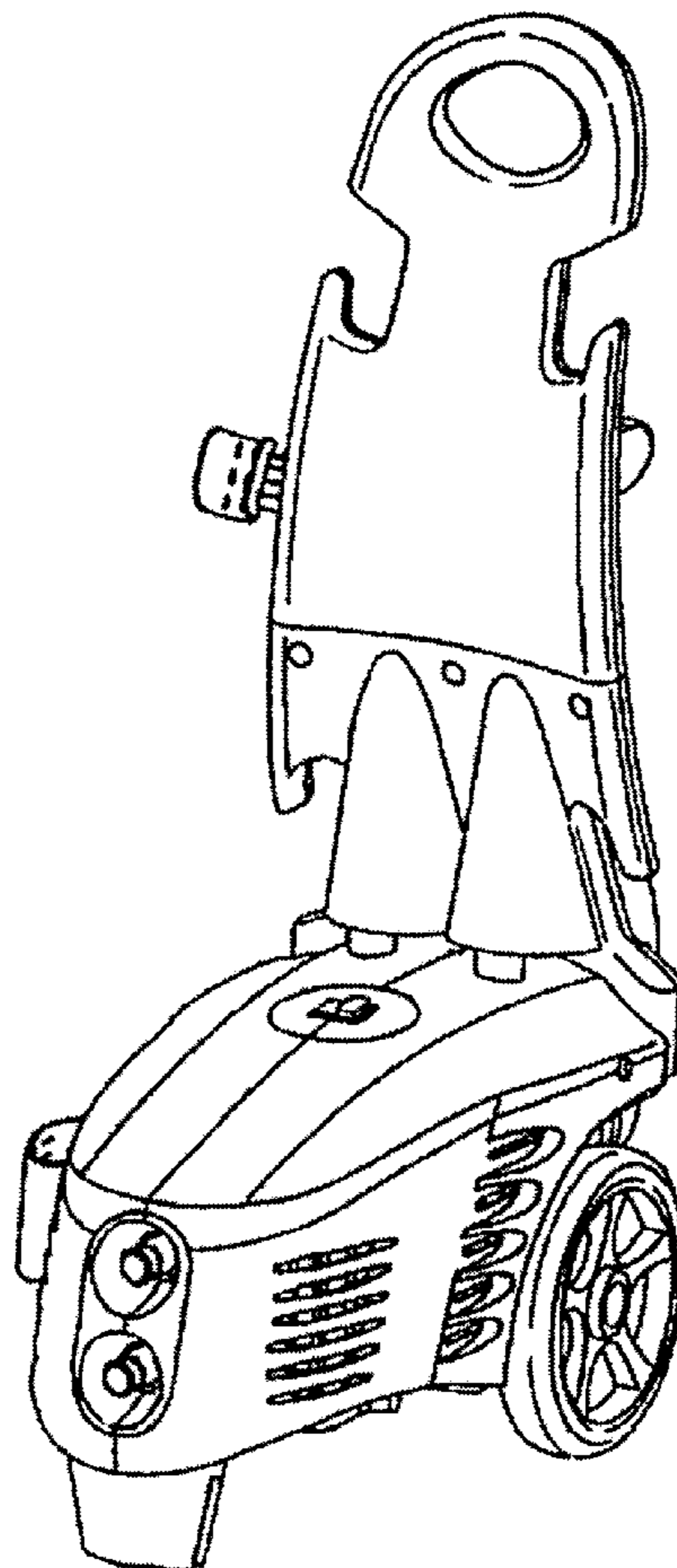
(57) **CLAIM**

The ornamental design for a pressure washer, as shown and described.

DESCRIPTION

FIG. 1 is a right side perspective view of a pressure washer etc. showing my new design;
FIG. 2 is a front view thereof;
FIG. 3 is a rear view thereof;
FIG. 4 is a left side view thereof;
FIG. 5 is a right side view thereof;
FIG. 6 is a top view thereof; and,
FIG. 7 is a bottom view thereof.

1 Claim, 4 Drawing Sheets



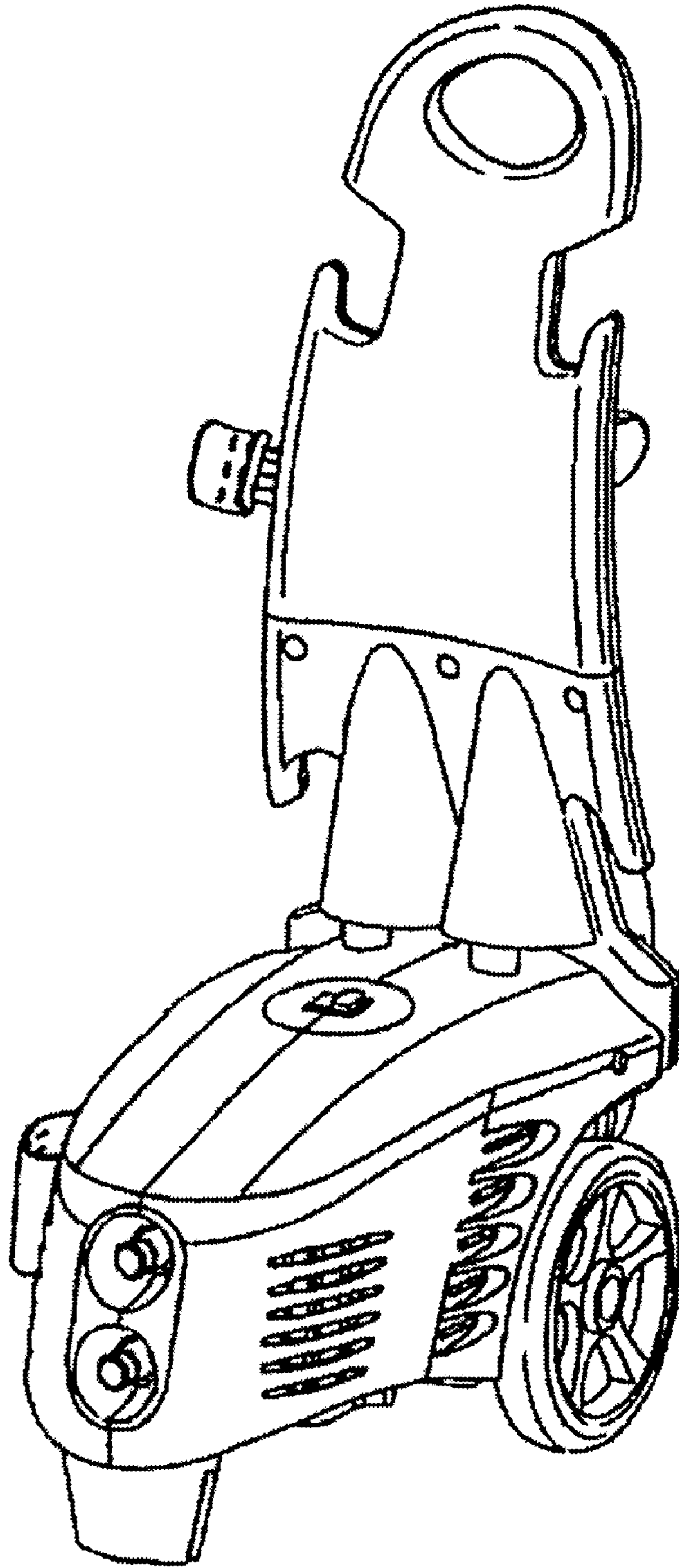


FIG.1

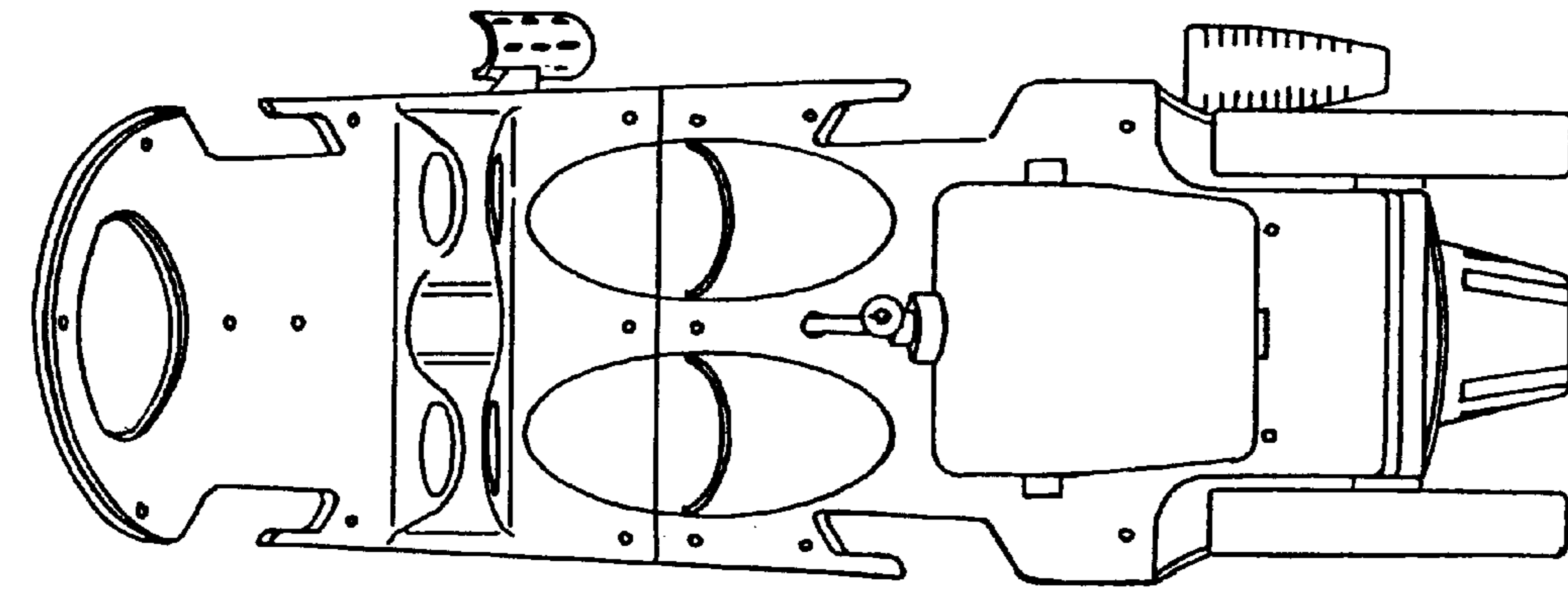


FIG. 2

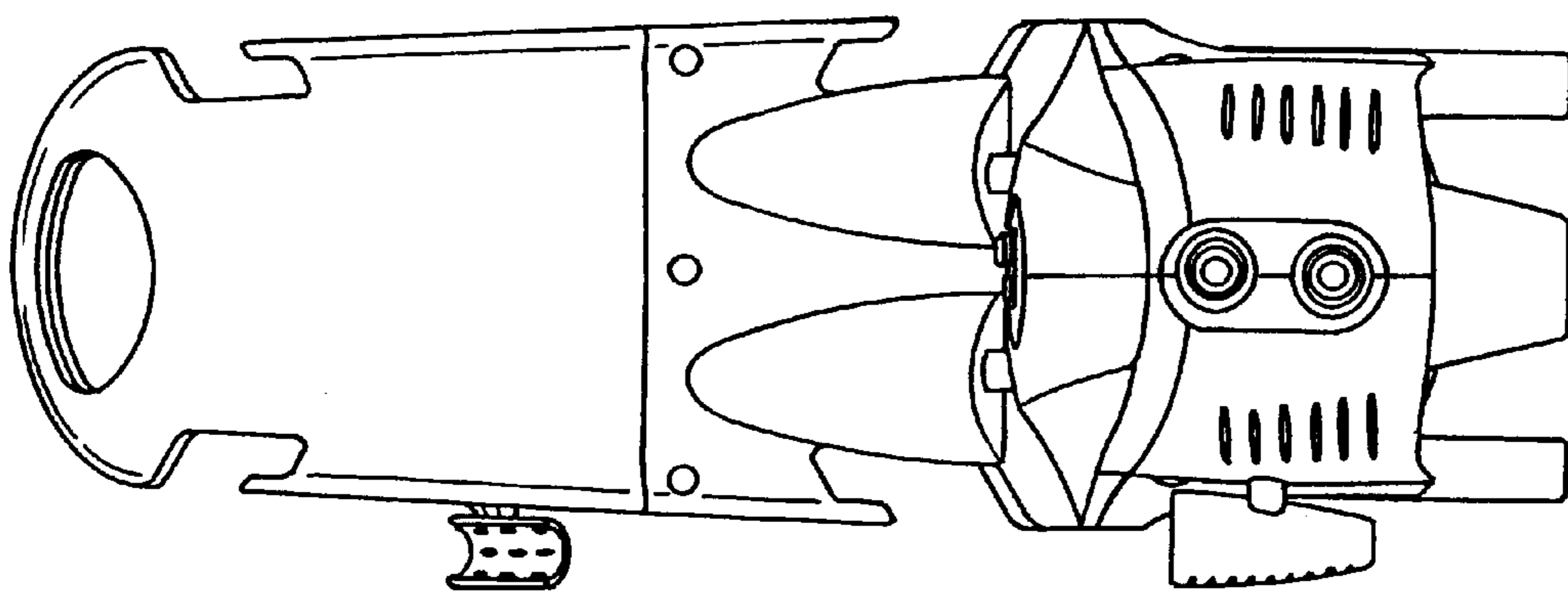


FIG. 3

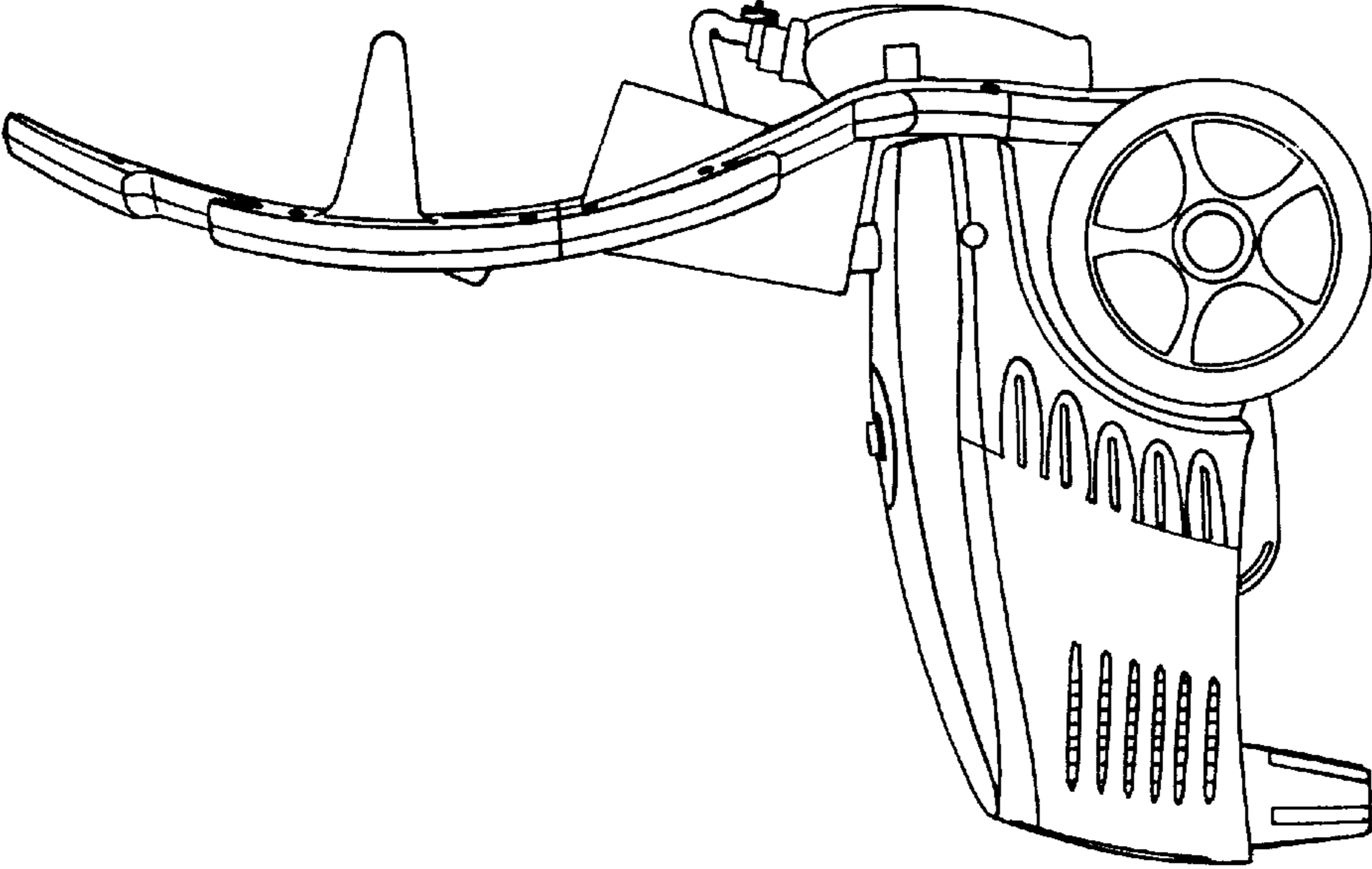


FIG.5

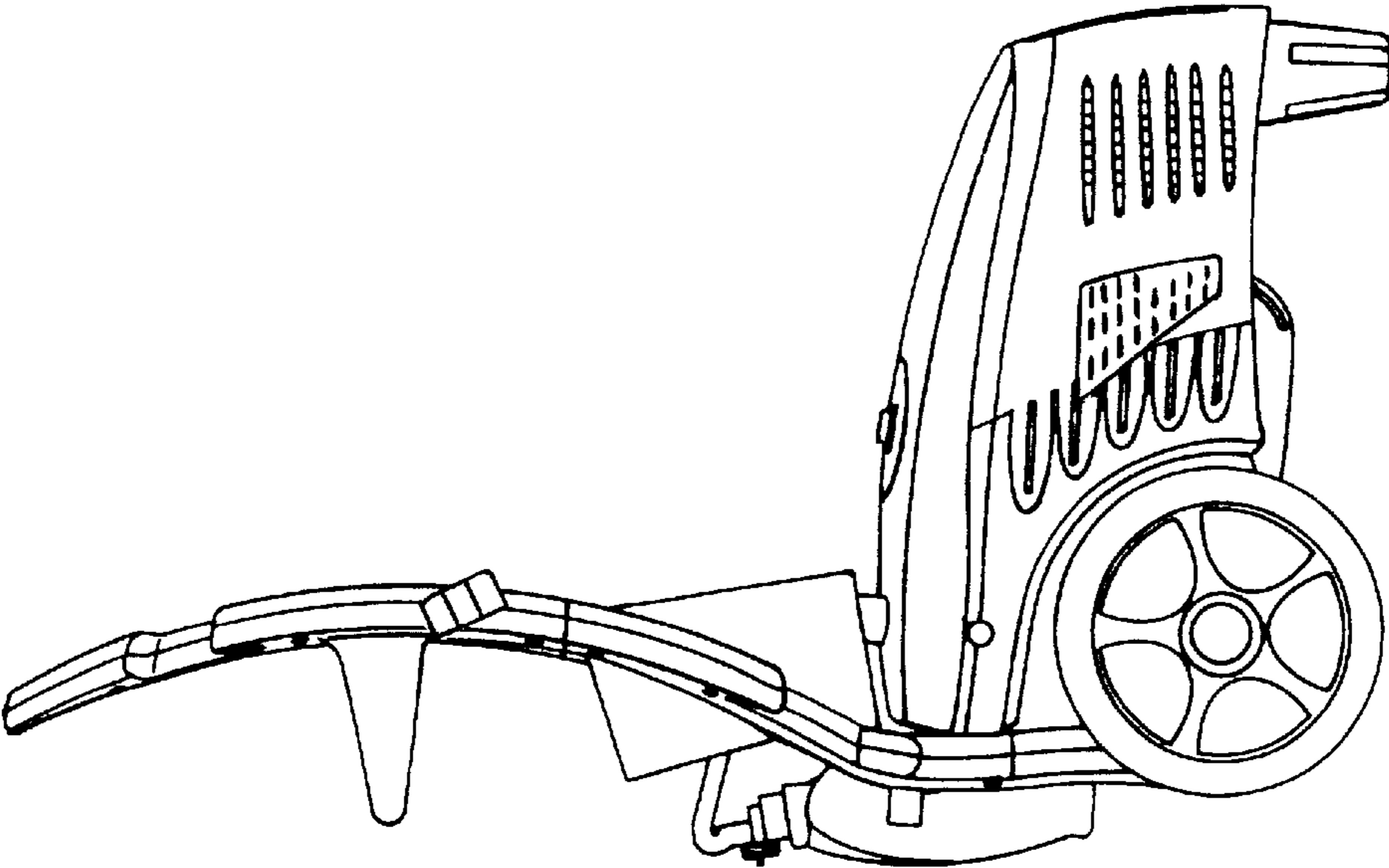


FIG.4

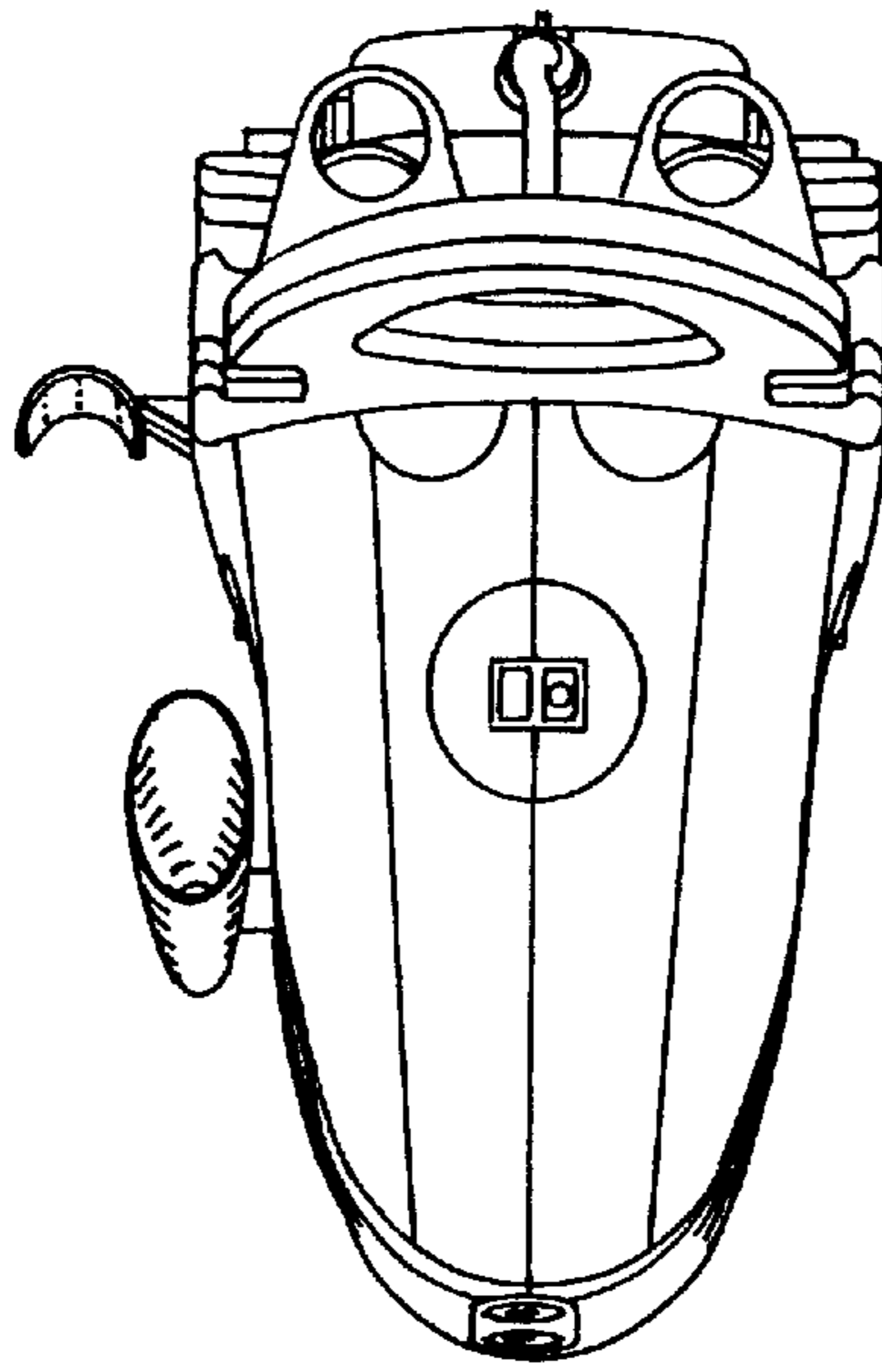


FIG. 6

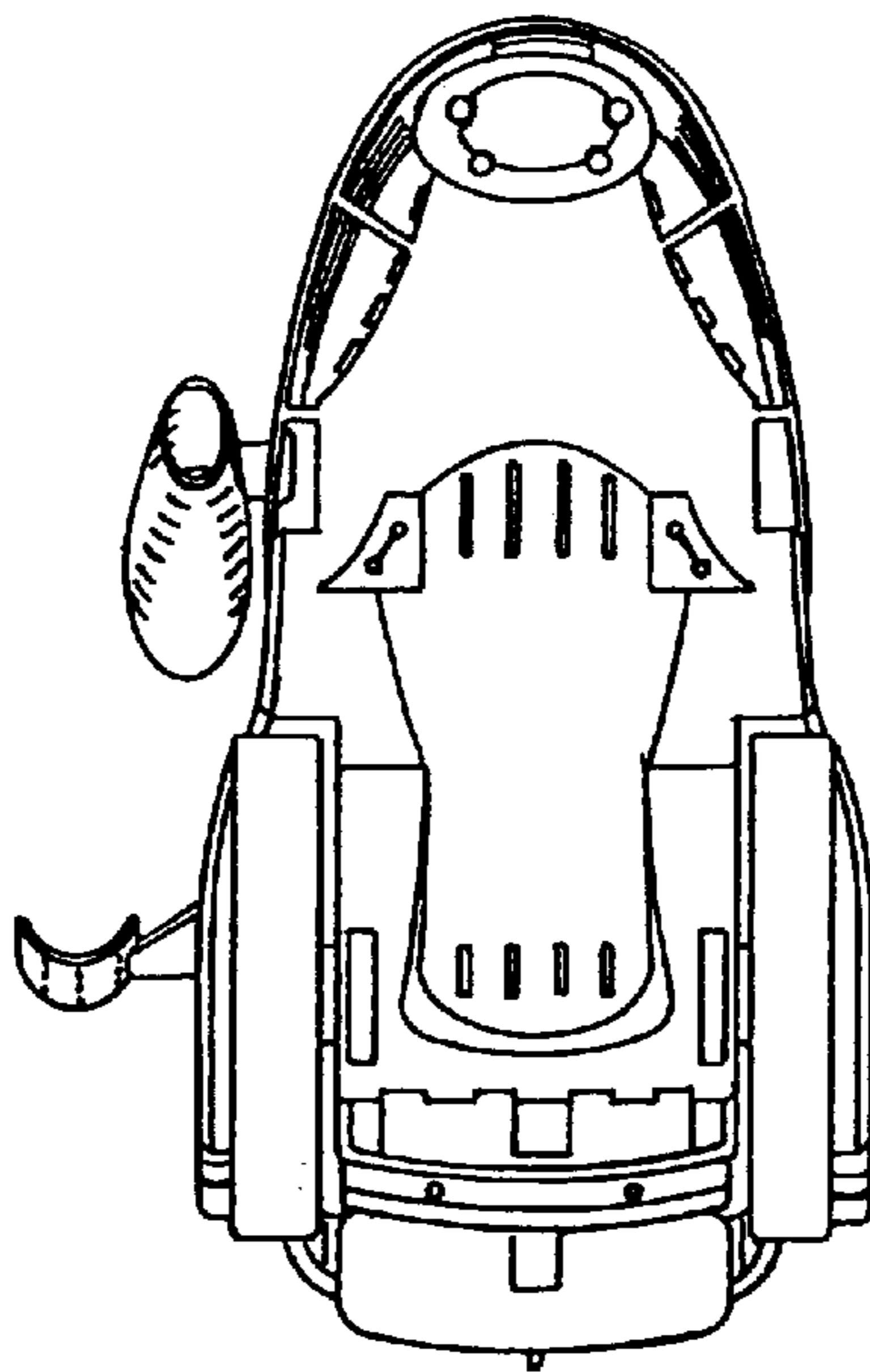


FIG. 7