



US00D523189S

(12) **United States Design Patent**
Wisdom

(10) **Patent No.:** **US D523,189 S**
(45) **Date of Patent:** **** Jun. 13, 2006**

(54) **PET CHEW TOY**
(75) Inventor: **Kevin M. Wisdom**, Celebration, FL
(US)
(73) Assignee: **Petsport USA, Inc.**, Pittsburg, CA (US)
(**) Term: **14 Years**

D420,630 S * 2/2000 De Coninck et al. D12/600
D445,376 S * 7/2001 Le Mentec D12/512
D458,895 S * 6/2002 Rayman D12/579
D462,651 S * 9/2002 Rayman D12/579
D464,613 S * 10/2002 Weaver D12/544
D467,865 S * 12/2002 Comps et al. D12/594
D492,643 S * 7/2004 Robert D12/579
D496,136 S * 9/2004 Byrne D30/160

(21) Appl. No.: **29/219,388**
(22) Filed: **Dec. 16, 2004**

* cited by examiner
Primary Examiner—Cathy Anne MacCormac
(74) *Attorney, Agent, or Firm*—Holland & Knight LLP

(51) **LOC (8) Cl.** **30-99**
(52) **U.S. Cl.** **D30/160; D12/544**
(58) **Field of Classification Search** D30/160;
D1/106, 125–128, 199; D21/681, 685; D24/211,
D24/212; 119/702–703, 706–711; 601/118,
601/120, 121; D12/501–502, 510, 536, 542,
D12/544, 558
See application file for complete search history.

(57) **CLAIM**

The ornamental design of a pet chew toy, as shown and described.

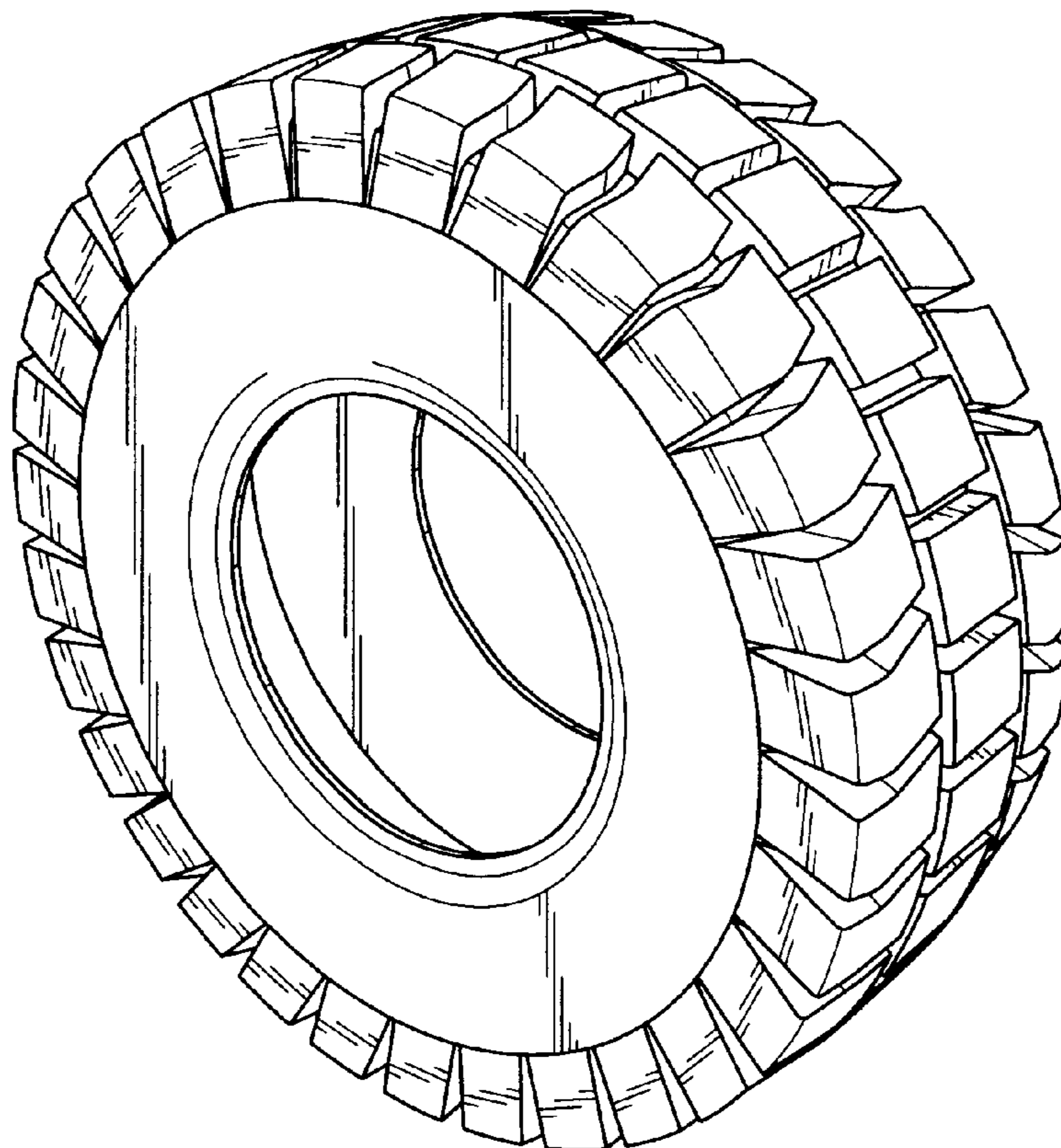
DESCRIPTION

FIG. 1 is a perspective view of the pet chew toy of my new design;
FIG. 2 is a side view thereof which, due to the symmetry of the design, is identical to the opposite side view;
FIG. 3 is a top plan view thereof which, due to the symmetry of the design, is identical to the bottom, front and rear views thereof; and,
FIG. 4 is a sectional view thereof taken through line 4—4 in FIG. 3 showing the hollow interior of the toy.

(56) **References Cited**
U.S. PATENT DOCUMENTS

4,815,607 A * 3/1989 Agapiou D30/160
D336,269 S * 6/1993 Hinrichsen et al. D12/600
D384,622 S * 10/1997 Scheuren et al. D12/600
D390,818 S * 2/1998 De Barys et al. D12/566
D411,820 S * 7/1999 Hagmaier et al. D12/596
D412,302 S * 7/1999 Rayman et al. D12/579

1 Claim, 2 Drawing Sheets



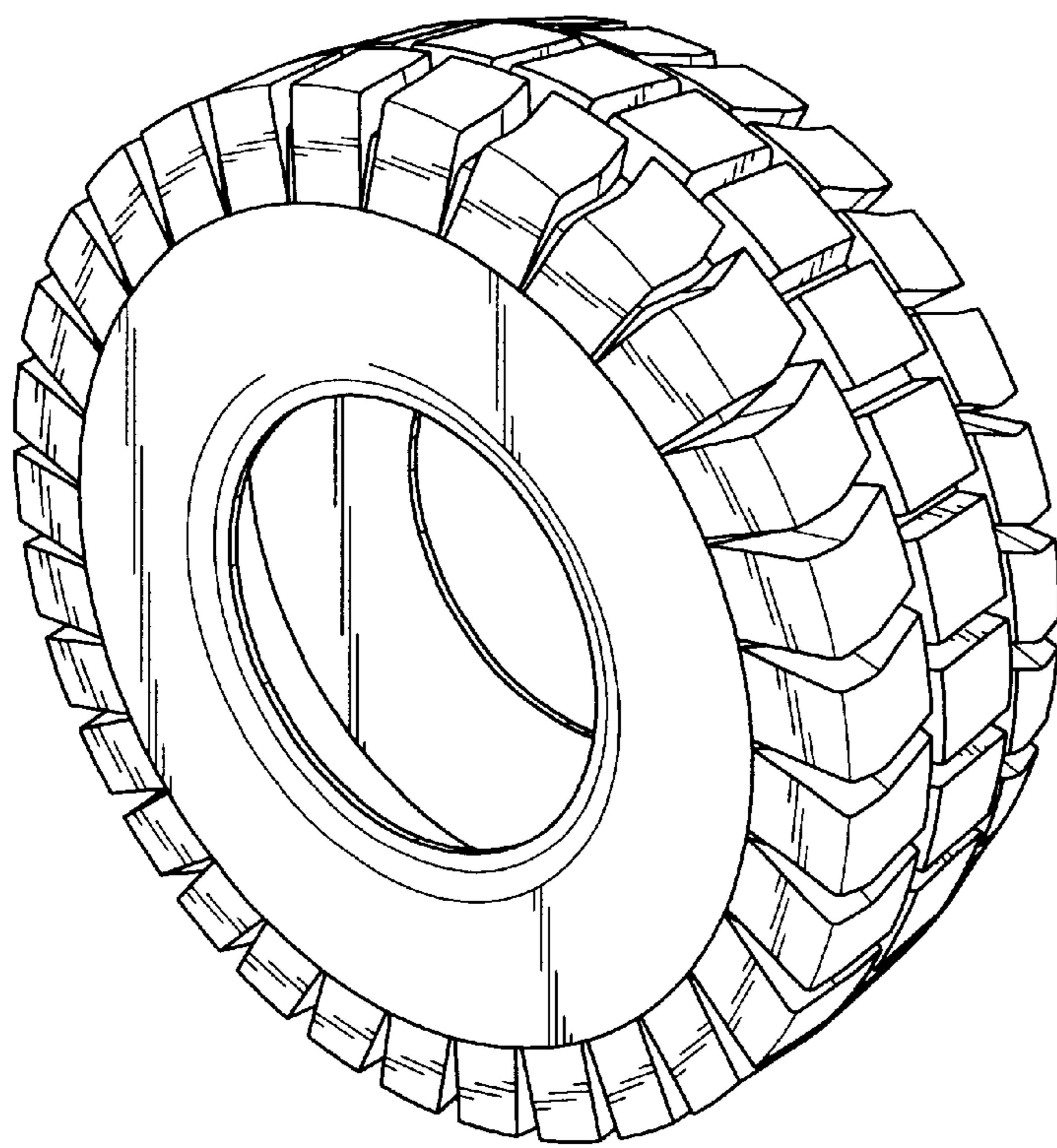


FIG. 1

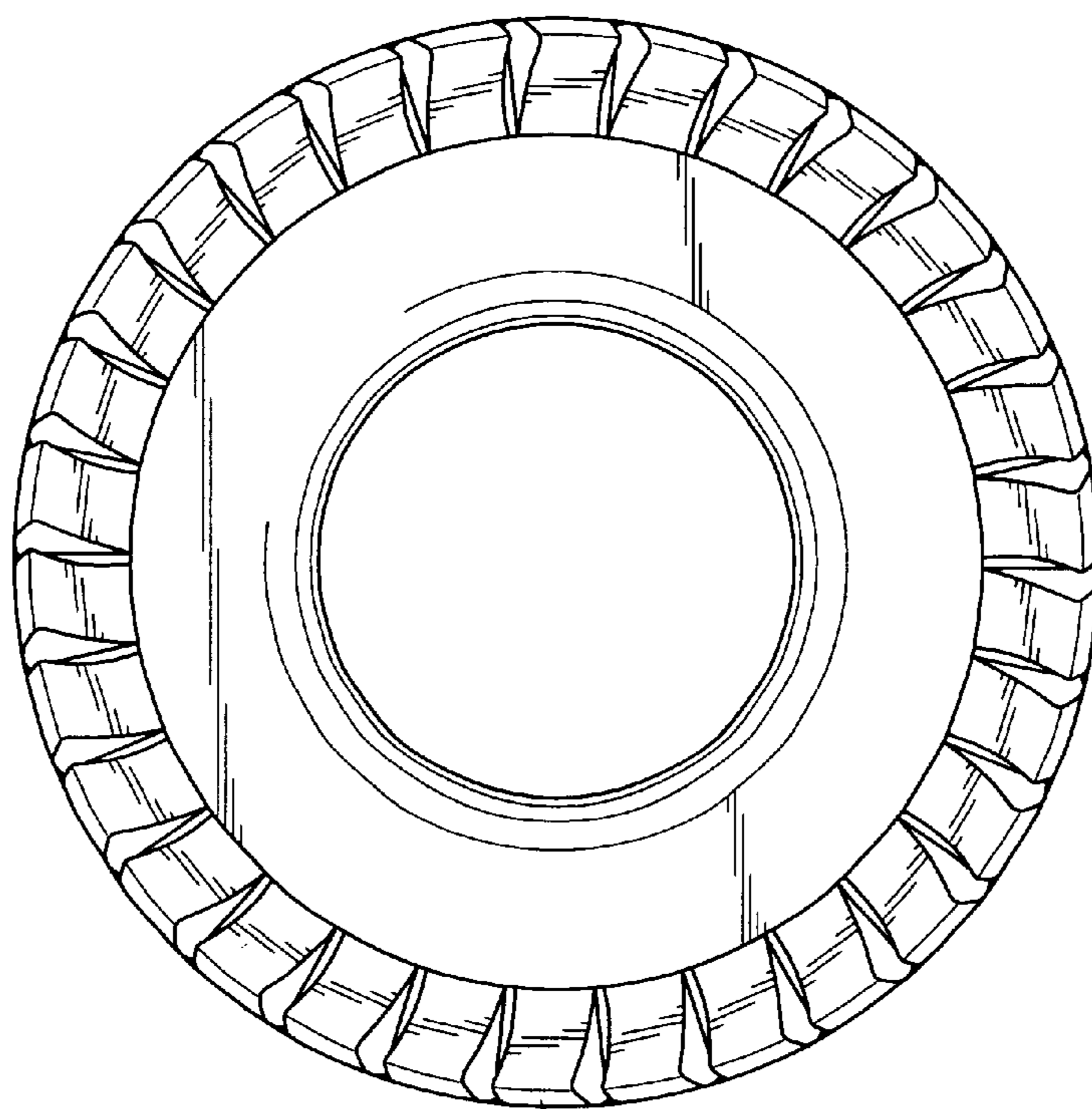


FIG. 2

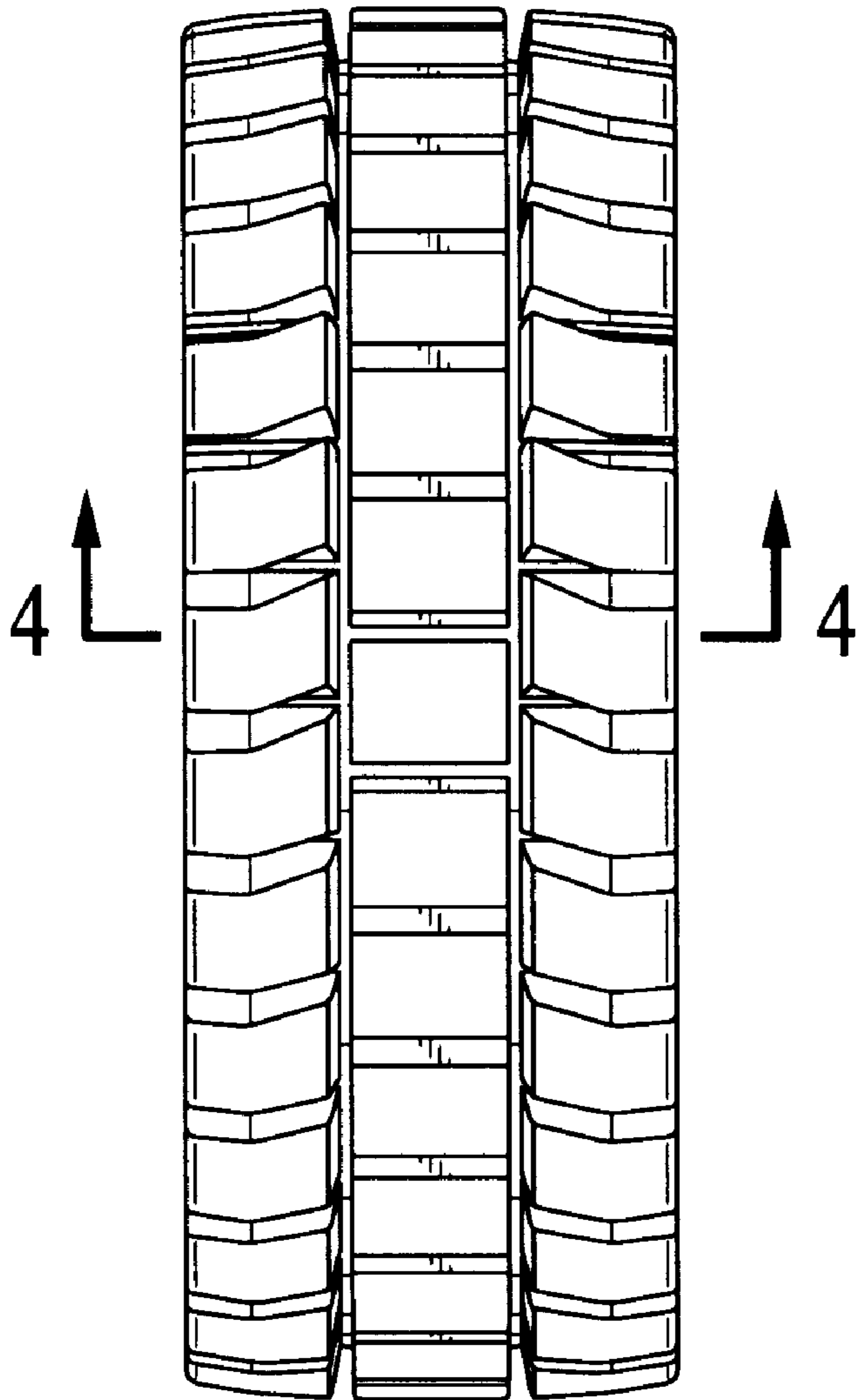


FIG. 3

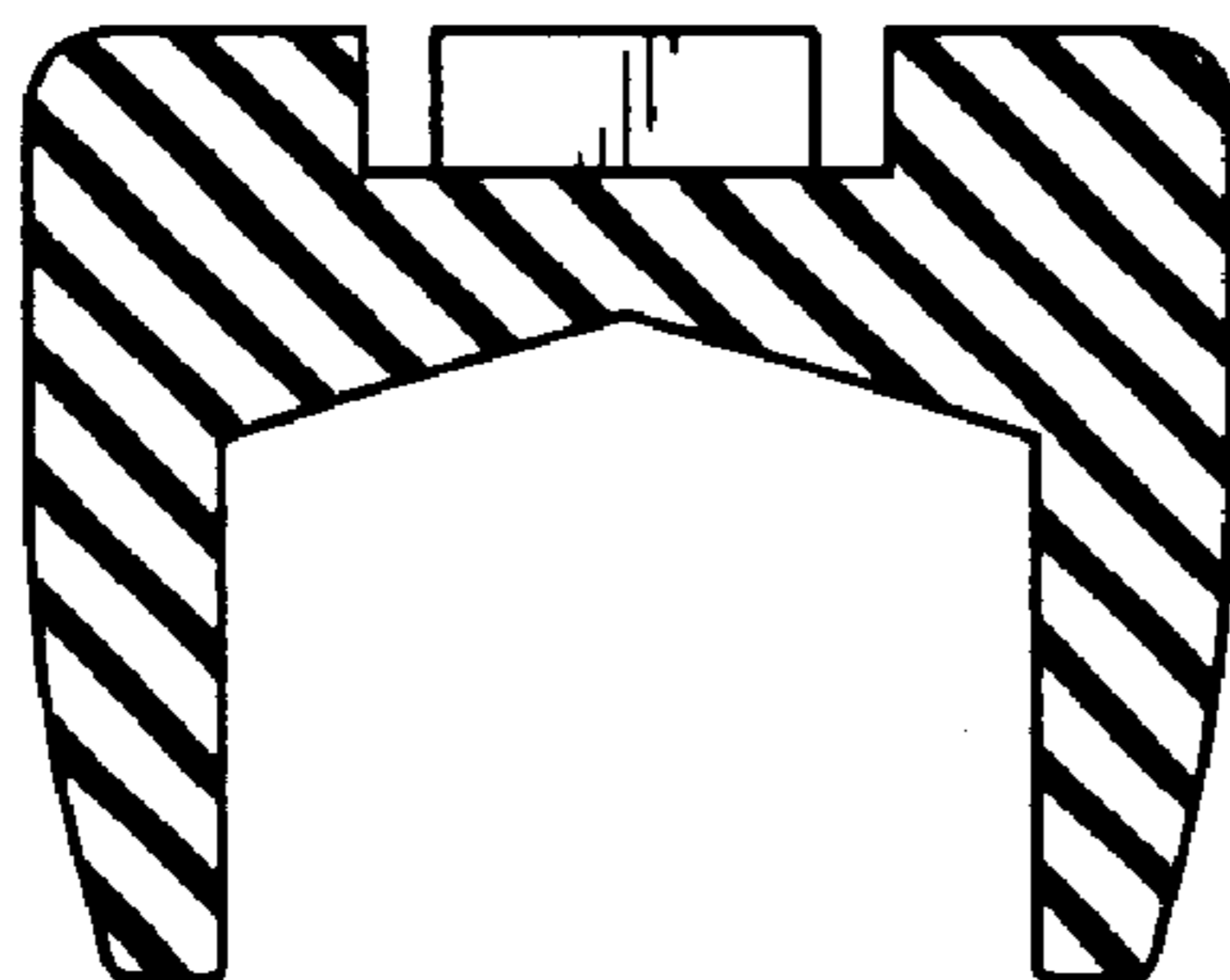


FIG. 4