



US00D523188S

(12) **United States Design Patent**
Lord

(10) **Patent No.:** **US D523,188 S**
(45) **Date of Patent:** **** Jun. 13, 2006**

(54) **ANIMAL CONTROL DEVICE**

(76) Inventor: **Anthony L. Lord**, 1563 N. Doheny Dr., Los Angeles, CA (US) 90069

(**) Term: **14 Years**

(21) Appl. No.: **29/238,323**

(22) Filed: **Sep. 13, 2005**

Related U.S. Application Data

(63) Continuation of application No. 11/115,084, filed on Apr. 25, 2005.

(51) **LOC (8) Cl.** **30-04**

(52) **U.S. Cl.** **D30/152**

(58) **Field of Classification Search** 119/792-98,
119/850, 855-59, 863-65, 654, 905, 907,
119/815, 712, 802, 784, 769, 760; D30/151-54,
D30/144, 199; 242/381.1-381.2; 362/108
See application file for complete search history.

(56) **References Cited**

U.S. PATENT DOCUMENTS

870,784	A	*	11/1907	Huff	119/794
D124,073	S	*	12/1940	Gottlieb	D30/153
D128,606	S	*	8/1941	Stickell	D30/153
2,799,245	A	*	7/1957	Ruggiero et al.	119/794
2,833,250	A	*	5/1958	Beebe	119/794
2,889,807	A	*	6/1959	Beebe	119/794
3,198,175	A	*	8/1965	Dean	119/796
3,233,591	A	*	2/1966	Rogers et al.	119/796
3,250,253	A	*	5/1966	Galín	119/794
3,477,410	A	*	11/1969	Lettieri	119/794
3,776,198	A	*	12/1973	Gehrke	119/794
4,018,189	A	*	4/1977	Umphries et al.	119/794

4,197,817	A	*	4/1980	Crutchfield	119/794
4,328,767	A	*	5/1982	Peterson	119/794
4,413,589	A	*	11/1983	Bielen et al.	119/792
D298,579	S	*	11/1988	Brummett	D30/153
4,964,370	A	*	10/1990	Peterson	119/794
4,977,860	A	*	12/1990	Harwell	119/794
D337,866	S	*	7/1993	Wiens	D30/153
D359,598	S	*	6/1995	Forbes	D30/152
5,456,213	A	*	10/1995	Beauchamp	119/793
D366,542	S	*	1/1996	Pierson	D30/152
5,743,216	A	*	4/1998	Holt, Jr.	119/793
5,816,198	A	*	10/1998	Peterson	119/794
6,205,956	B1	*	3/2001	Dickie et al.	119/792
6,374,779	B1	*	4/2002	Miller	119/863
6,481,382	B1	*	11/2002	Cohn	119/794
6,499,437	B1	*	12/2002	Sorensen et al.	119/792
6,892,678	B1	*	5/2005	Cheng	119/859
2003/0106501	A1	*	6/2003	Austin	119/794
2004/0154556	A1	*	8/2004	Masterson et al.	119/794

* cited by examiner

Primary Examiner—Alan P. Douglas

Assistant Examiner—Susan Moon Lee

(74) *Attorney, Agent, or Firm*—Fish & Richardson P.C.

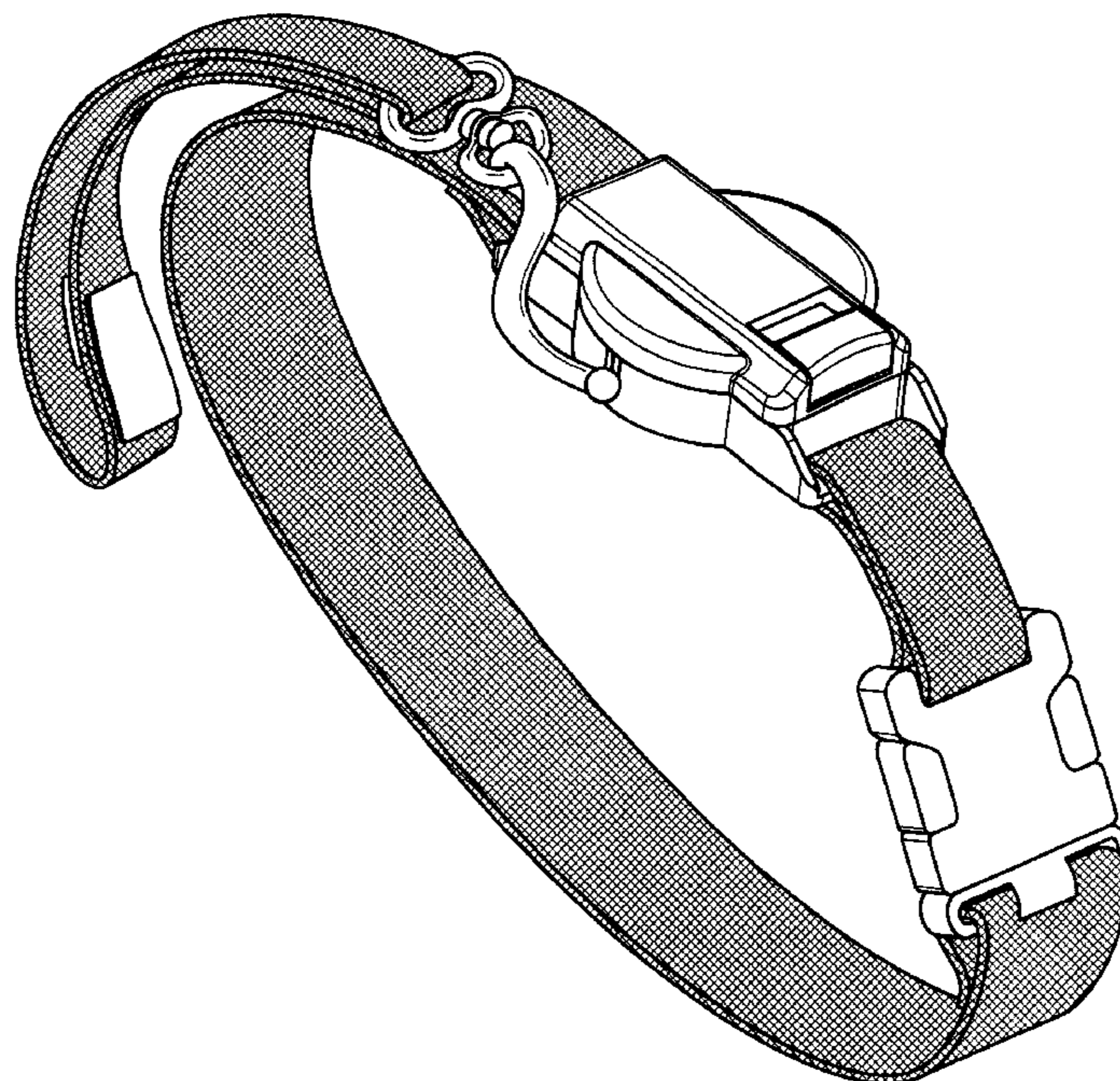
(57) **CLAIM**

The ornamental design for a animal control device, as shown and described.

DESCRIPTION

FIG. 1 is a perspective view of the device.
FIG. 2 is a perspective view of the device.
FIG. 3 is a side view of the device.
FIG. 4 is a side view of the device.
FIG. 5 is a top view of the device; and,
FIG. 6 is a bottom view of the device.

1 Claim, 3 Drawing Sheets



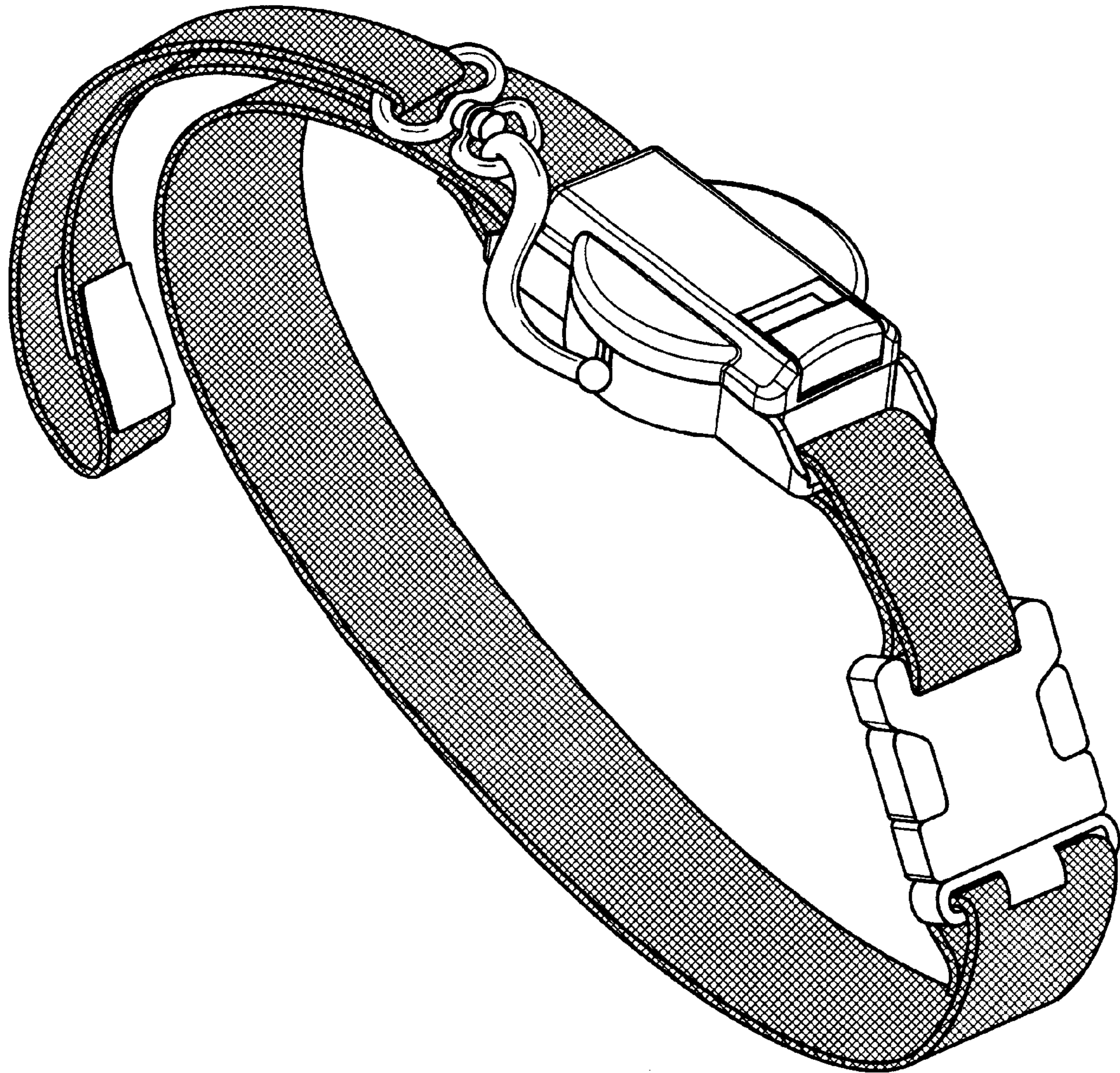


FIG. 1

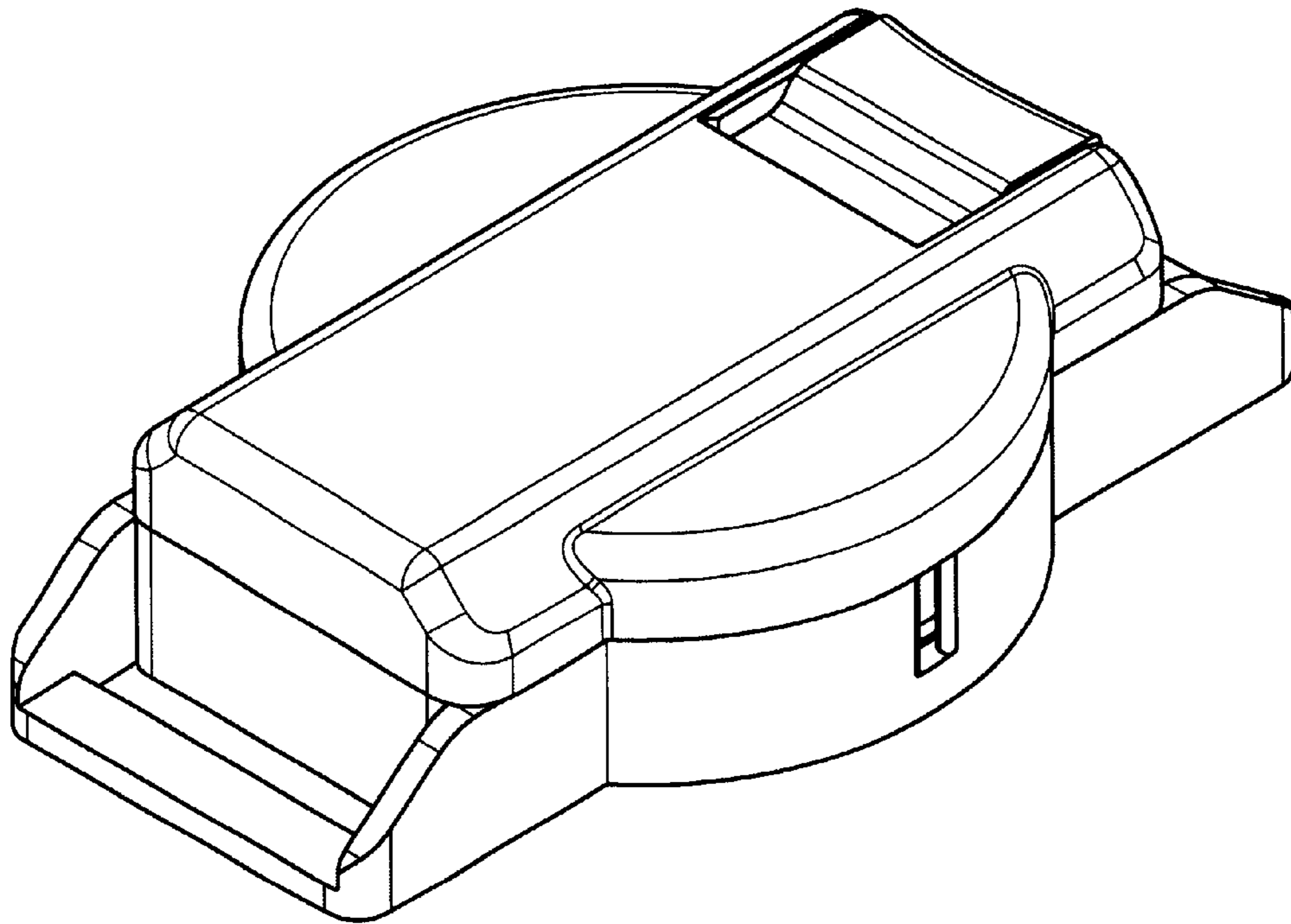


FIG. 2

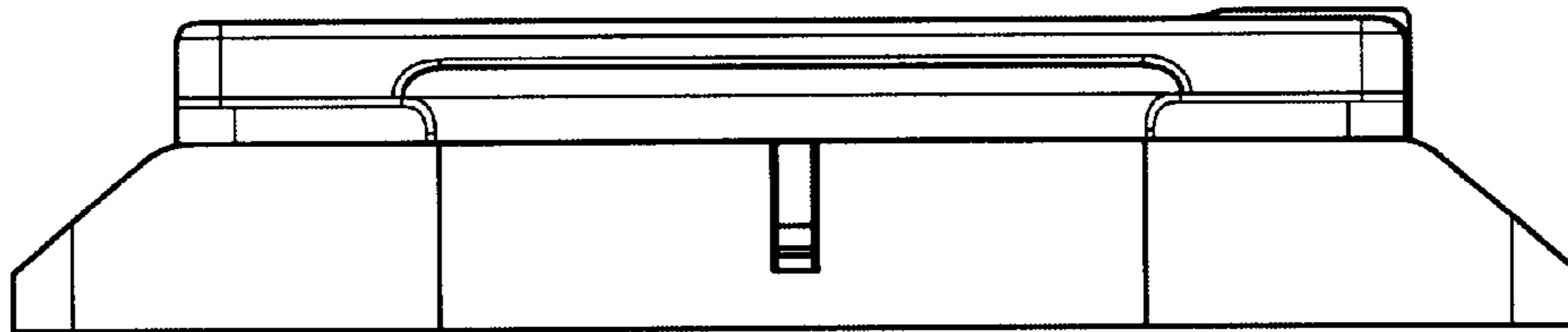


FIG. 3

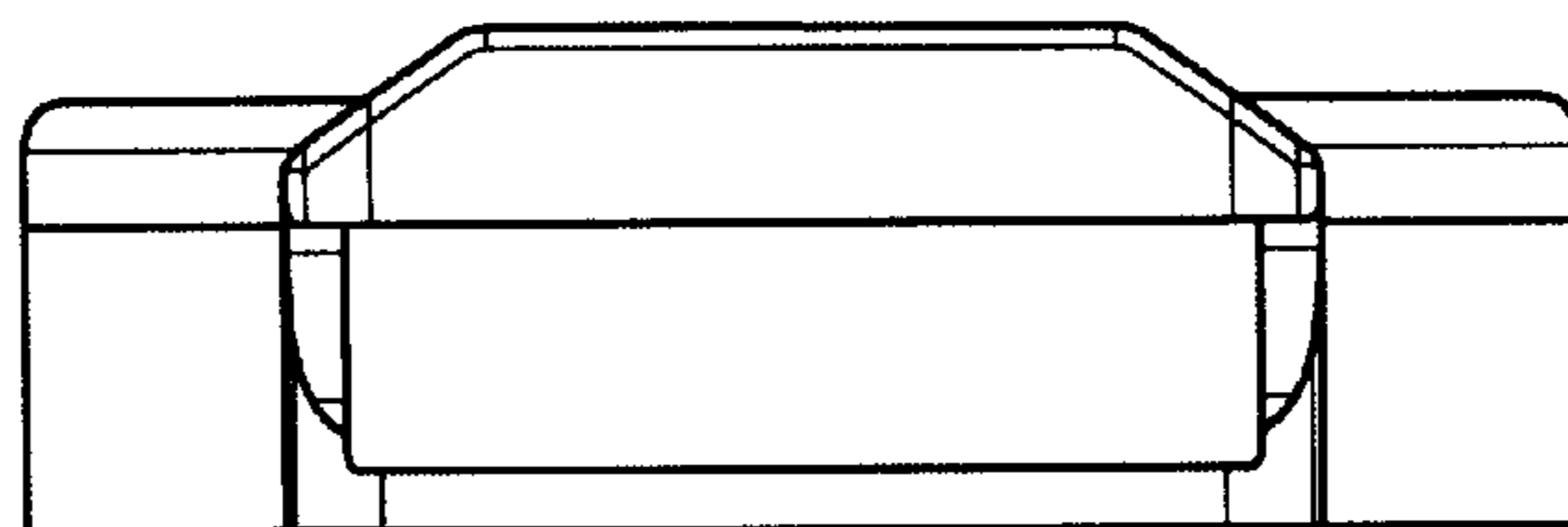


FIG. 4

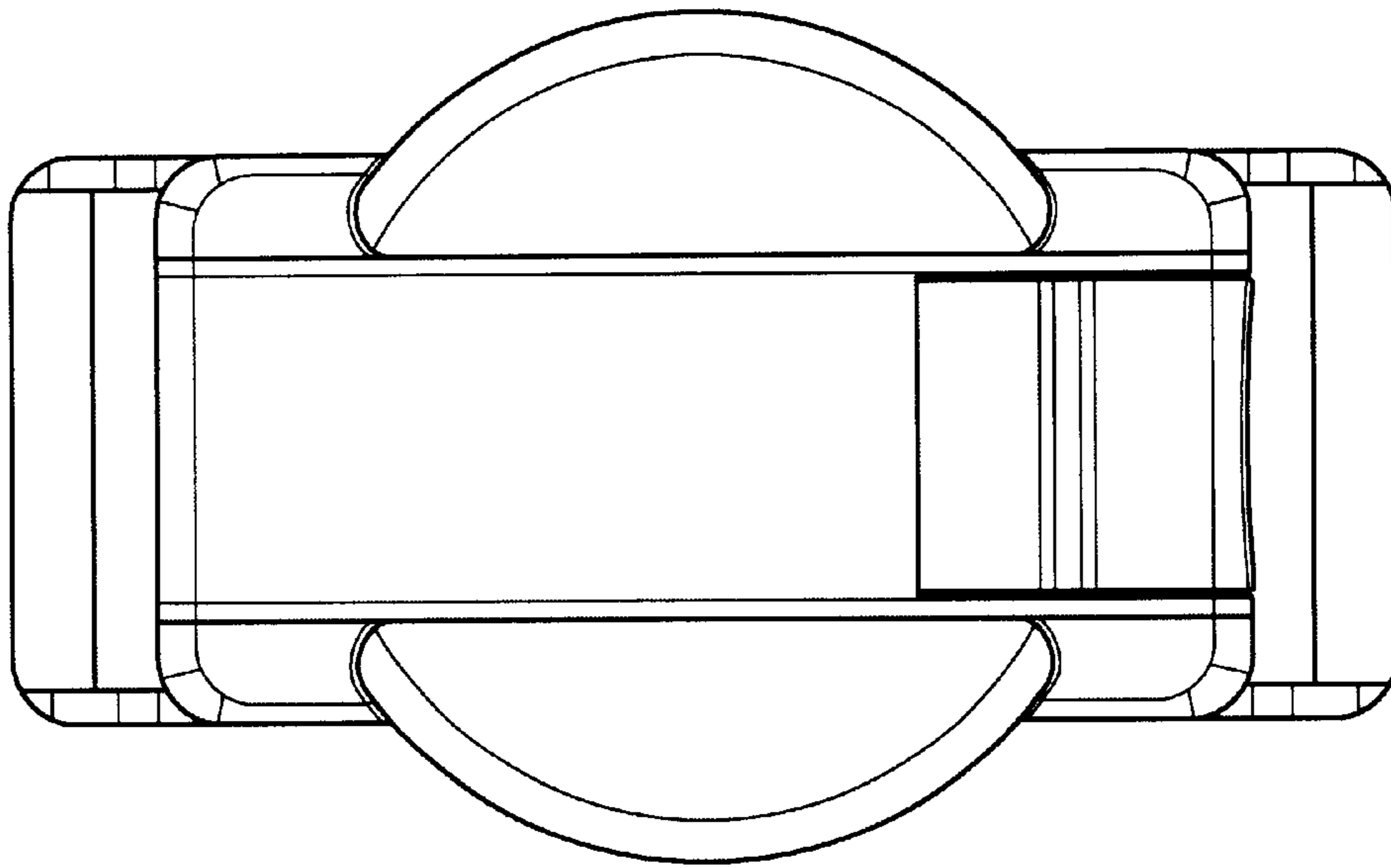


FIG. 5

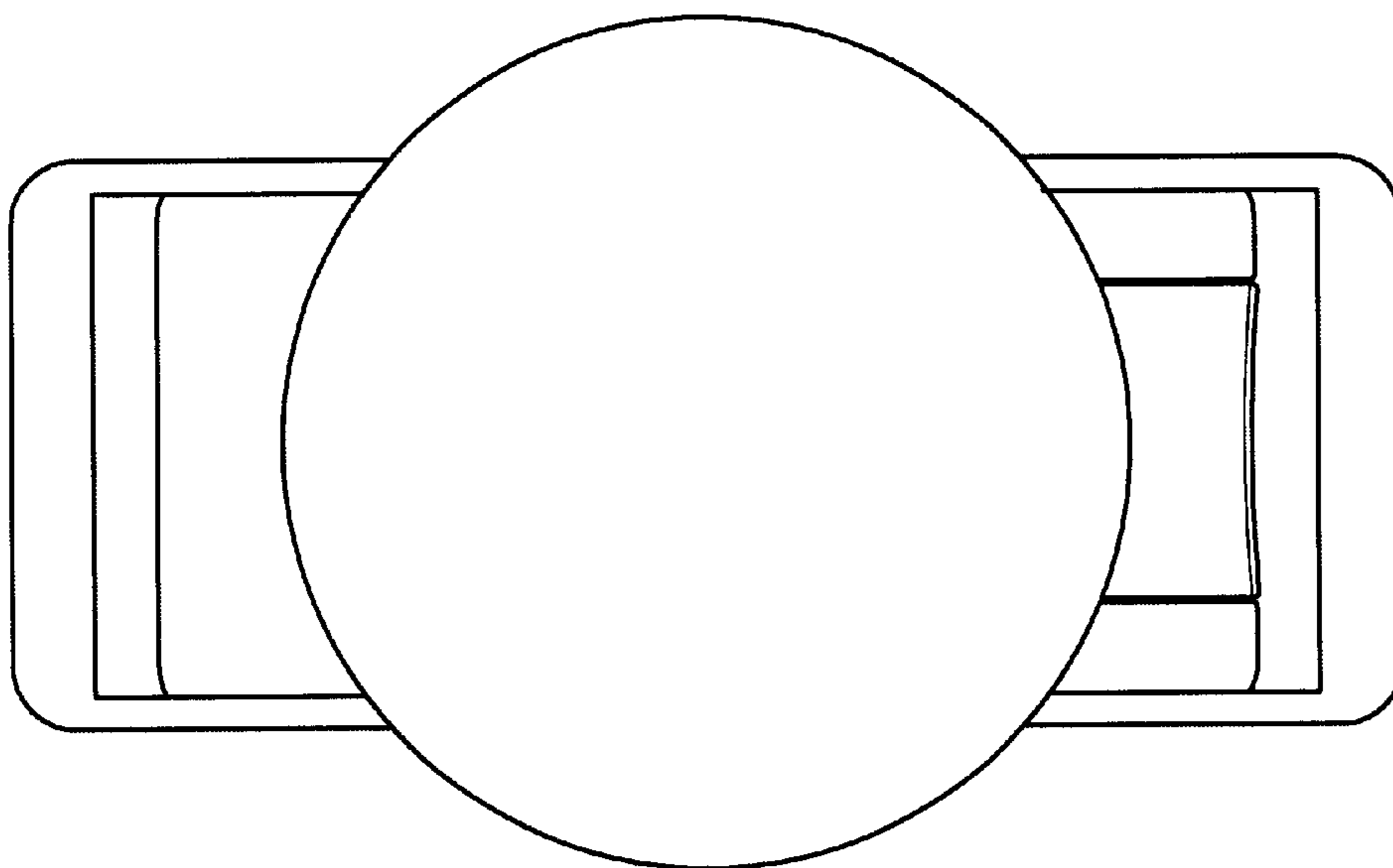


FIG. 6