



US00D523184S

(12) **United States Design Patent**
Colvin et al.

(10) **Patent No.:** **US D523,184 S**

(45) **Date of Patent:** **** Jun. 13, 2006**

(54) **SEED TRAY FOR A BIRD FEEDER**

5,479,880 A * 1/1996 Stuhr et al. 119/57.8
D408,223 S * 4/1999 Henry D7/545
D448,125 S * 9/2001 Ranly D30/121

(75) Inventors: **Barry D. Colvin**, Bristol, RI (US);
Kenneth M. DiOrio, Warren, RI (US)

* cited by examiner

(73) Assignee: **Aspects, Inc.**, Warren, RI (US)

Primary Examiner—Alan P. Douglas

(**) Term: **14 Years**

Assistant Examiner—Susan Moon Lee

(21) Appl. No.: **29/224,788**

(74) *Attorney, Agent, or Firm*—Barlow, Josephs & Holmes,
Ltd.

(22) Filed: **Mar. 7, 2005**

(57) **CLAIM**

(51) **LOC (8) Cl.** **30-03**

The ornamental design for a seed tray for a bird feeder, as shown and described.

(52) **U.S. Cl.** **D30/128**

(58) **Field of Classification Search** D30/121,
D30/124, 1, 26-29, 133, 199; 119/51.5, 61.5,
119/57.8-57.9, 52.3, 61.1, 531, 63; 47/67,
47/83; 248/318

DESCRIPTION

See application file for complete search history.

FIG. 1 is a perspective view of a seed tray for a bird feeder showing our new design;

(56) **References Cited**

U.S. PATENT DOCUMENTS

491,702 A * 2/1893 Felix 119/61.54
1,749,497 A * 3/1930 McGlashan 119/61.1
3,284,039 A * 11/1966 Brunner 248/153
3,664,304 A * 5/1972 Carter 119/61.5
D277,988 S * 3/1985 Kilham D30/121
D278,167 S * 3/1985 Kilham D30/121
4,821,681 A * 4/1989 Tucker 119/51.01
5,215,040 A * 6/1993 Lemley 119/57.9

FIG. 2 is a front elevational view thereof;

FIG. 3 is a rear elevational view thereof;

FIG. 4 is a left side elevational view thereof;

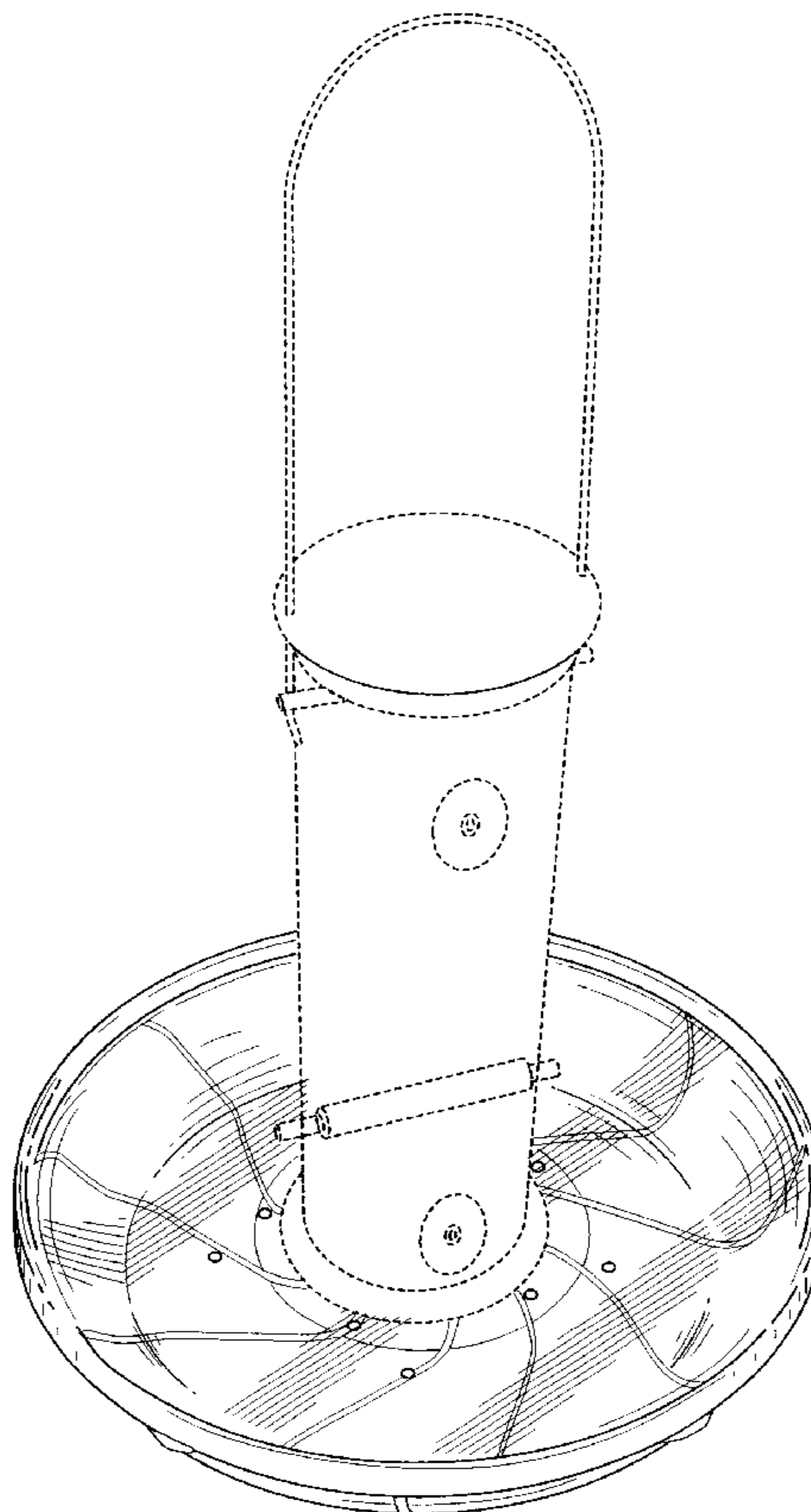
FIG. 5 is a right side elevational view thereof;

FIG. 6 is a top view thereof;

FIG. 7 is a bottom view thereof; and,

FIG. 8 is a perspective view of the seed tray for a bird feeder mounted on a bird feeder, which is shown in broken lines where the broken lines form no part of the present invention, to show environment of the present invention.

1 Claim, 8 Drawing Sheets



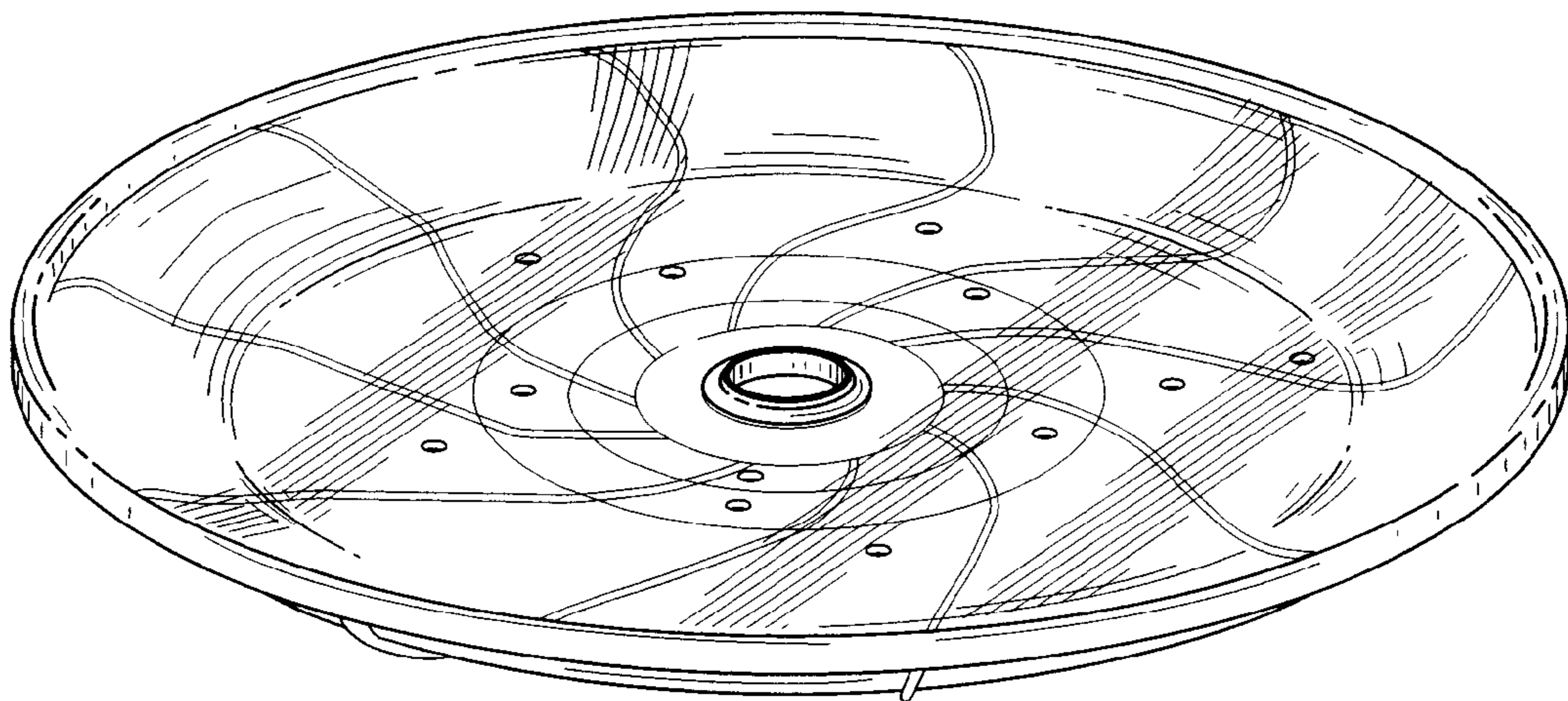


FIG. 1

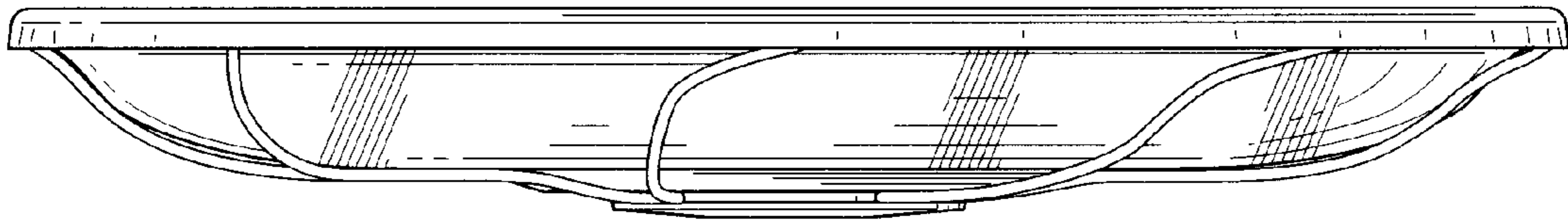


FIG. 2

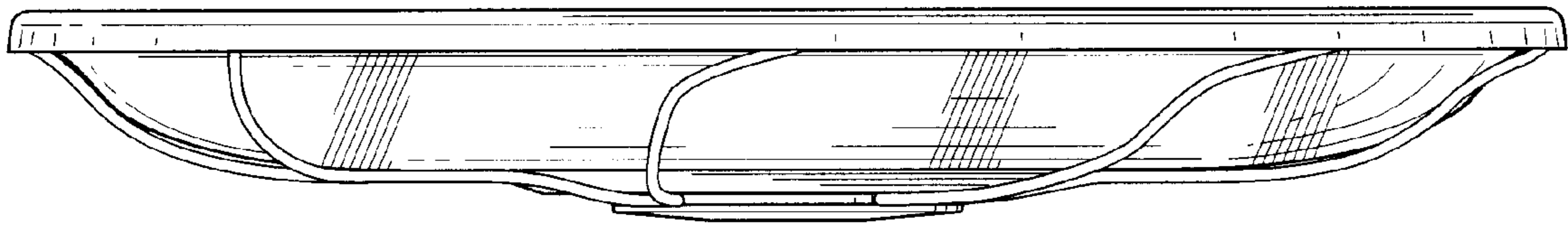


FIG. 3

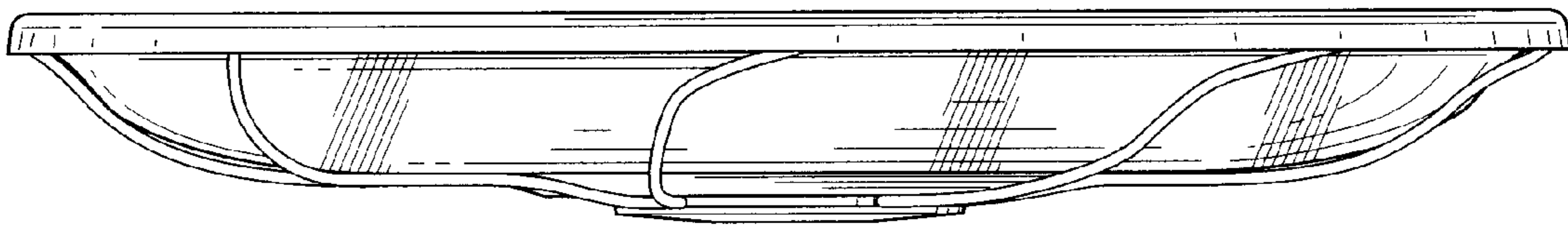


FIG. 4

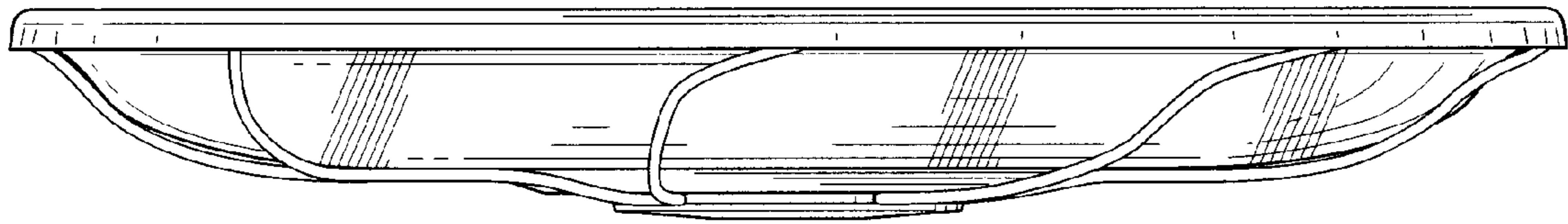


FIG. 5

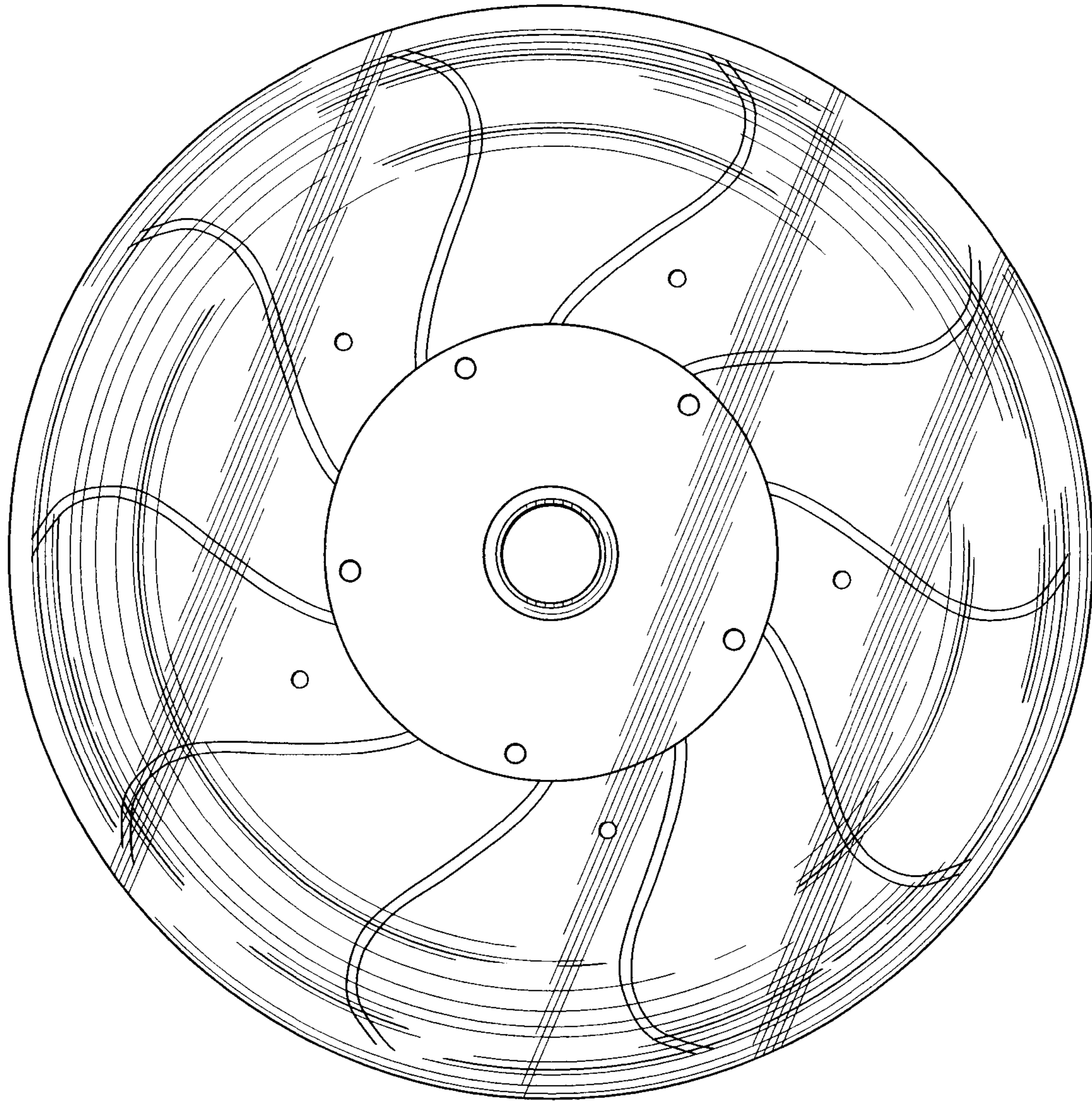


FIG. 6

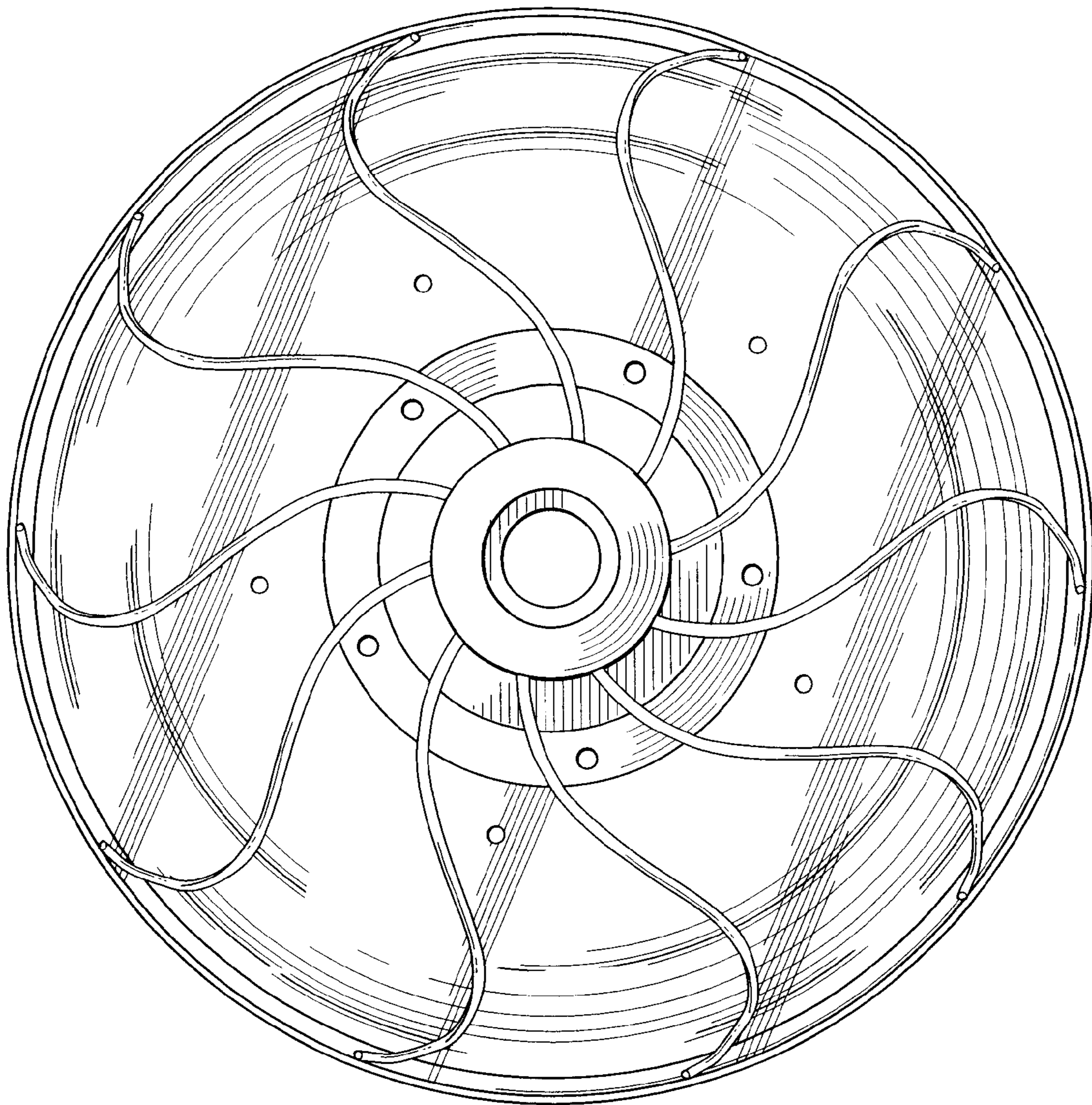


FIG. 7

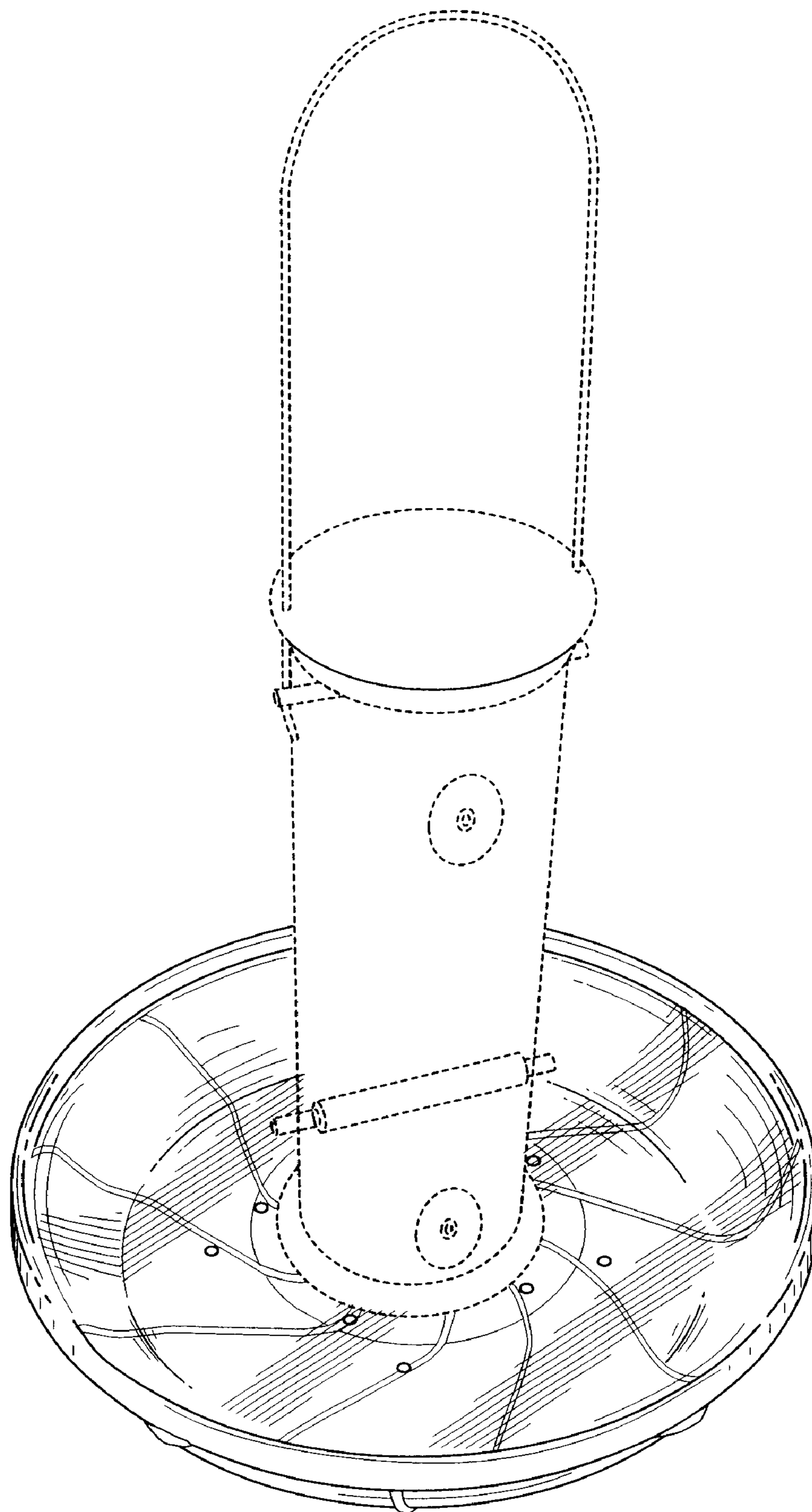


FIG. 8