



US00D523178S

(12) **United States Design Patent** (10) **Patent No.:** **US D523,178 S**  
**Funkhouser et al.** (45) **Date of Patent:** **\*\* Jun. 13, 2006**

(54) **PORTION OF COSMETIC CONTAINER**

(75) Inventors: **Benjamin E. Funkhouser**, New York, NY (US); **Kai Kaden**, New York, NY (US); **Christopher D. Barr**, Belmont, MI (US)

(73) Assignee: **Access Business Group International LLC**, Ada, MI (US)

(\*\*) Term: **14 Years**

(21) Appl. No.: **29/224,481**

(22) Filed: **Mar. 2, 2005**

(51) **LOC (8) Cl.** ..... **28-03**

(52) **U.S. Cl.** ..... **D28/82**

(58) **Field of Classification Search** ..... D28/76,  
D28/77, 78, 81, 82; 132/293-307; D9/529;  
220/4.22, 4.23, 4.27; 206/581, 823  
See application file for complete search history.

(56) **References Cited**

**U.S. PATENT DOCUMENTS**

4,807,773	A	2/1989	Tsai	
4,826,014	A	5/1989	Schefer	
4,936,324	A	6/1990	Chen	
D319,897	S *	9/1991	Bakic	D28/82
5,107,871	A	4/1992	Butcher et al.	
5,199,451	A	4/1993	Montoli	
5,295,496	A	3/1994	Machelett	
5,353,818	A	10/1994	Suzuki et al.	
5,431,177	A	7/1995	Kecman	
D366,737	S *	1/1996	Chen	D28/78
5,605,167	A	2/1997	Montoli	
5,638,838	A	6/1997	Lombardi	
5,819,764	A	10/1998	Sussman	
D420,172	S *	2/2000	Thorpe	D28/82

D424,752	S *	5/2000	Thorpe	D28/82
6,055,992	A	5/2000	Skarne	
6,345,627	B1	2/2002	Petit	
6,422,245	B1	7/2002	Song	
D496,759	S *	9/2004	Rodriguez	D28/82
D497,037	S *	10/2004	Rodriguez	D28/82
D507,078	S *	7/2005	Greenfield	D28/82

**FOREIGN PATENT DOCUMENTS**

GB	1081342	8/1967
JP	56-43903	4/1981
JP	8-56743	3/1996
JP	8-126519	5/1996
JP	9-56457	3/1997
JP	11-346825	12/1999
JP	2003-219910	8/2003

**OTHER PUBLICATIONS**

Photographs of stock compact offered by Alcan Packaging.

\* cited by examiner

*Primary Examiner*—Jennifer Rivard

(74) *Attorney, Agent, or Firm*—Warner Norcross & Judd

(57) **CLAIM**

The ornamental design for portion of cosmetic container, as shown and described.

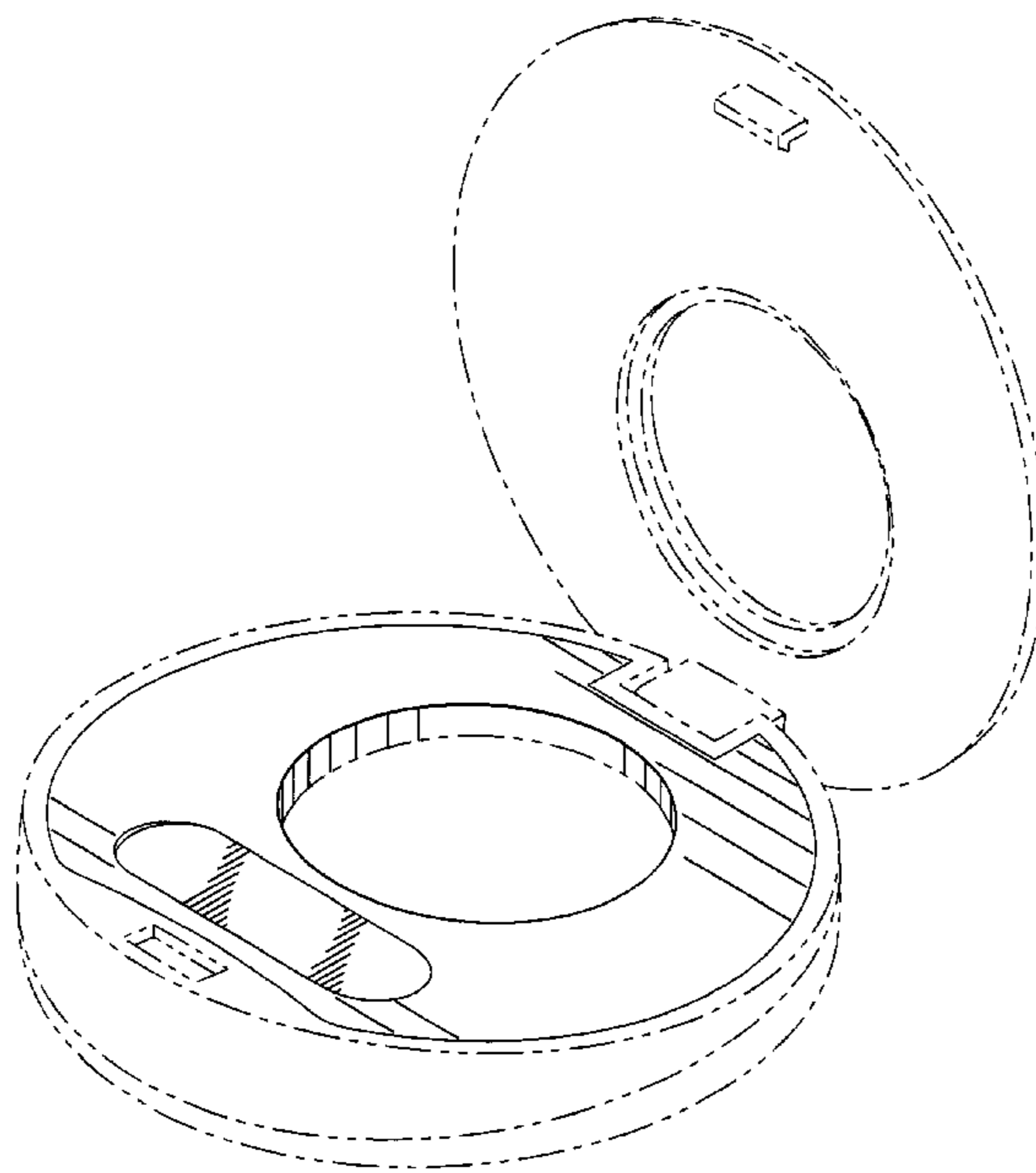
**DESCRIPTION**

FIG. 1 is a perspective view of the portion of cosmetic container; and,

FIG. 2 is a top plan view of the same.

The broken lines immediately adjacent the shaded areas represent the bounds of the claim and all other broken lines are for illustrative purposes only. None of the broken lines form a part of the claimed design.

**1 Claim, 2 Drawing Sheets**



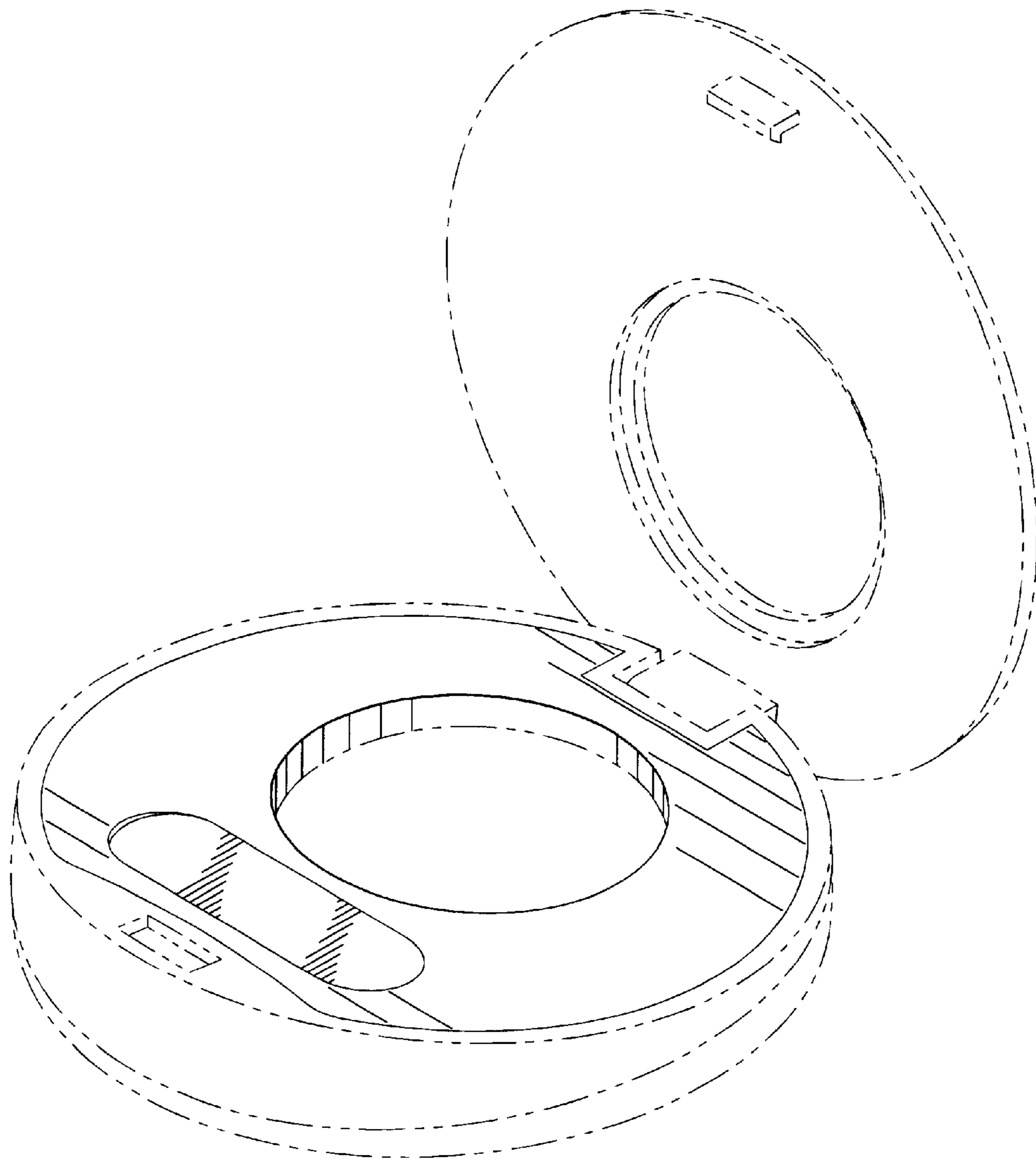


FIG. 1

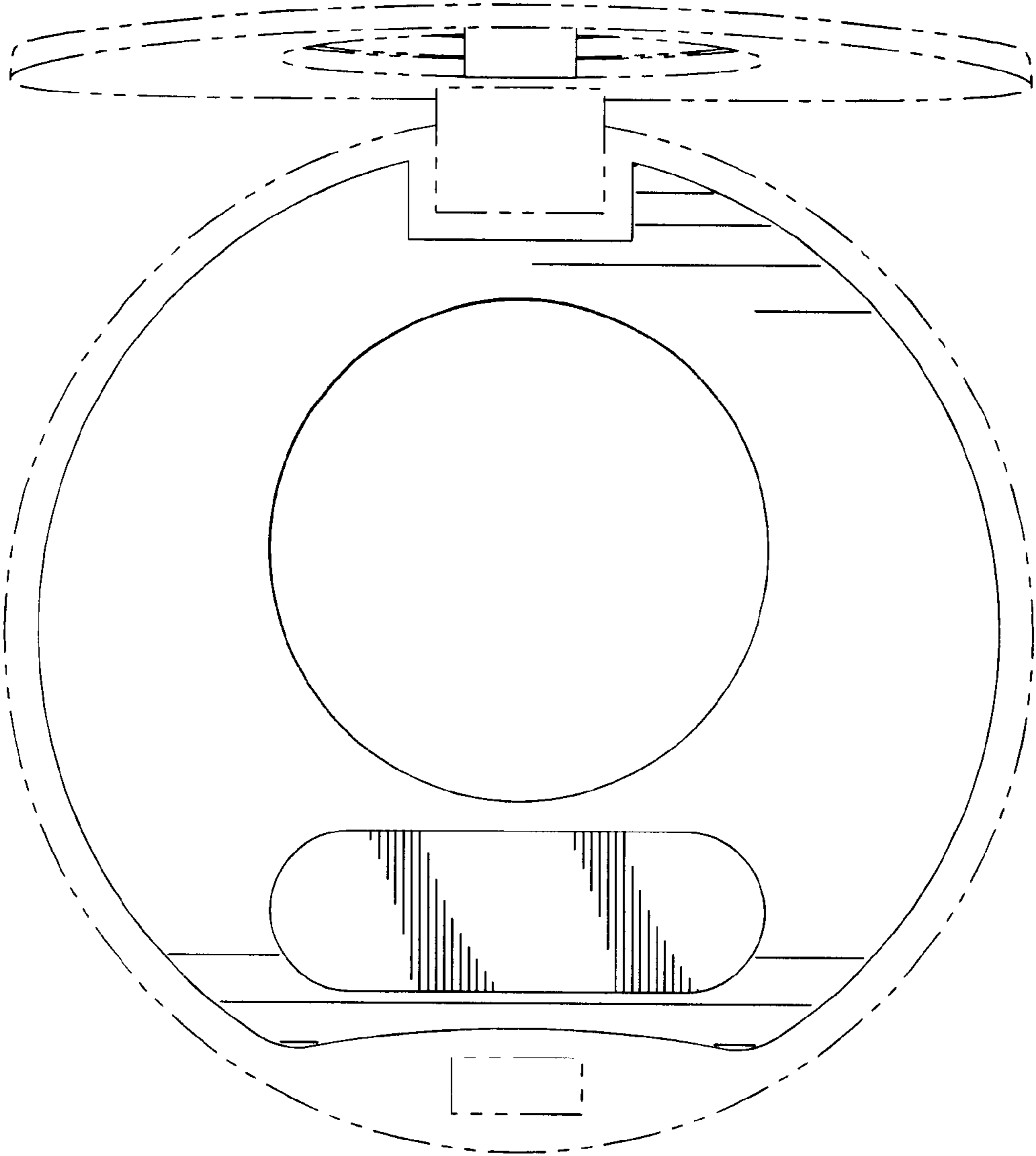


FIG. 2