



US00D523175S

(12) **United States Design Patent**
Kriser

(10) **Patent No.:** **US D523,175 S**
(45) **Date of Patent:** **** Jun. 13, 2006**

(54) **NAIL TRIMMER**

(76) Inventor: **Gregory A. Kriser**, 30 Sunflower Dr.,
Upper Saddle River, NJ (US) 07458

(**) Term: **14 Years**

(21) Appl. No.: **29/237,039**

(22) Filed: **Aug. 25, 2005**

Related U.S. Application Data

(63) Continuation of application No. 29/227,463, filed on Apr.
12, 2005.

(51) **LOC (8) Cl.** **28-03**

(52) **U.S. Cl.** **D28/60**

(58) **Field of Classification Search** D28/60;
30/26-29; 132/75, 73.5, 75.4, 75.5, 75.6,
132/76.2

See application file for complete search history.

(56) **References Cited**

U.S. PATENT DOCUMENTS

2,880,737	A	4/1959	Tone et al.	
2,923,303	A	2/1960	Hundt	
3,216,034	A	11/1965	Johnson	
3,916,921	A	11/1975	Pesola	
4,117,854	A	10/1978	Rosenbloom	
4,478,232	A	10/1984	Yasuda	
4,753,253	A	6/1988	Hutson	
5,123,430	A	6/1992	Davidovitz	
5,161,552	A	11/1992	Kathuria	
5,195,544	A *	3/1993	Campagna	132/75.5
5,465,740	A	11/1995	Kim	
5,632,288	A *	5/1997	Webb	132/75.5
D394,731	S *	5/1998	Lee	D28/60

6,050,270	A	4/2000	Tyshenko, Jr.	
6,088,919	A *	7/2000	Gilman	30/28
2004/0148779	A1 *	8/2004	Choi et al.	30/28

OTHER PUBLICATIONS

Advertisement of www.sharperimage.com of "a. Luxurious
manicure system . . ." NailCare System, Item No. S1556.
Advertisement of "g. The Salon-Quality Manicure/Pedicure
Set", Item No. 66894R.

* cited by examiner

Primary Examiner—Jennifer Rivard

(74) *Attorney, Agent, or Firm*—Michael R. Gilman; Kaplan
Gilman Gibson & Dernier LLP

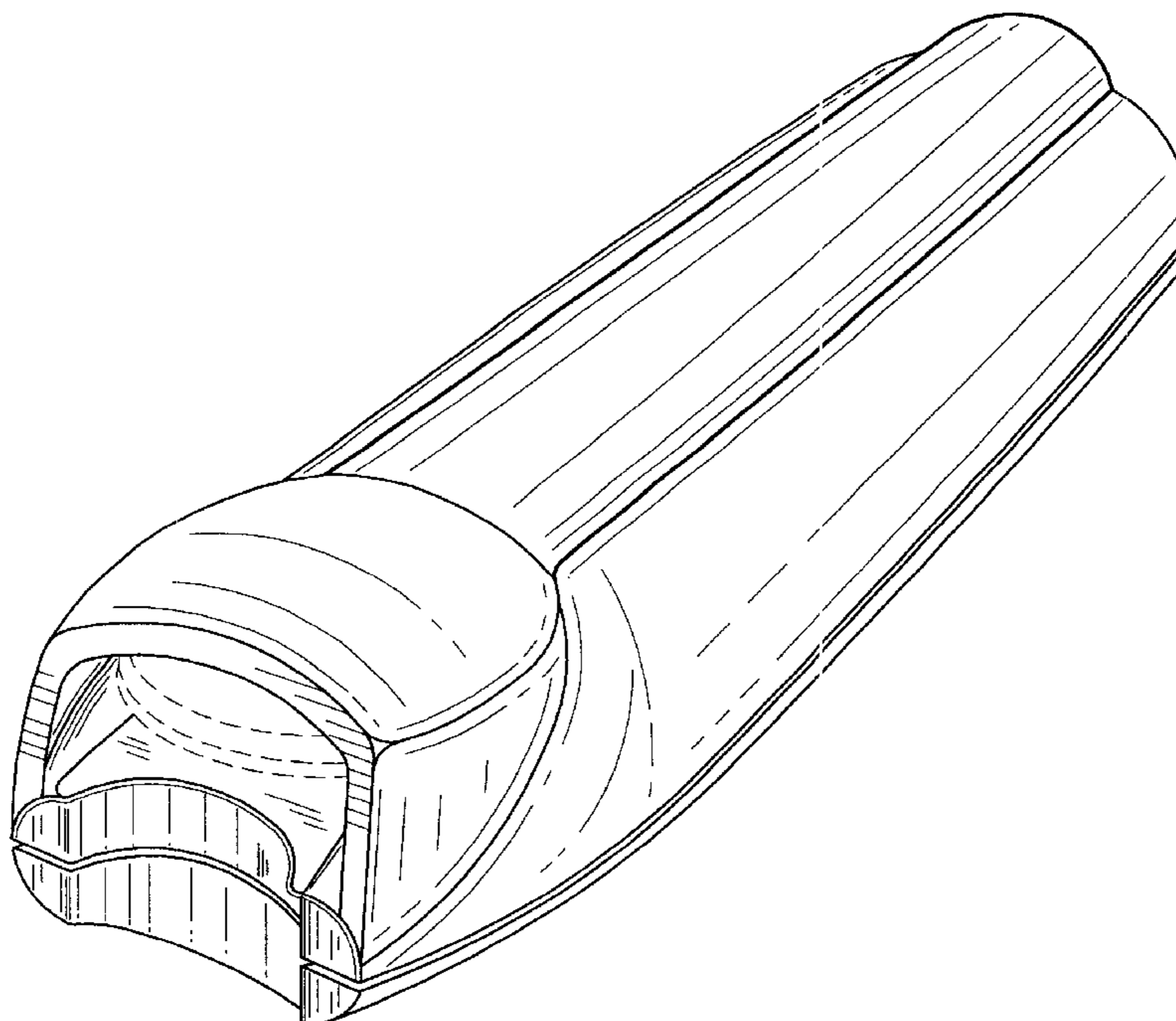
(57) **CLAIM**

The ornamental design for a nail trimmer, as shown and
described.

DESCRIPTION

FIG. 1 is a perspective view of the nail trimmer of the
present invention, the portions shown in dashed lines are for
illustrative purposes and form no part of the invention;
FIG. 2 is a front elevational view of the nail trimmer of FIG.
1, the portions shown in dashed lines are for illustrative
purposes and form no part of the invention;
FIG. 3 is a rear elevational view of the nail trimmer of FIG.
1;
FIG. 4 is a right side elevational view of the nail trimmer of
FIG. 1;
FIG. 5 is a left side elevational view of the nail trimmer of
FIG. 1;
FIG. 6 is a top plan view of the nail trimmer of FIG. 1; and,
FIG. 7 is a bottom plan view of the nail trimmer of FIG. 1.

1 Claim, 4 Drawing Sheets



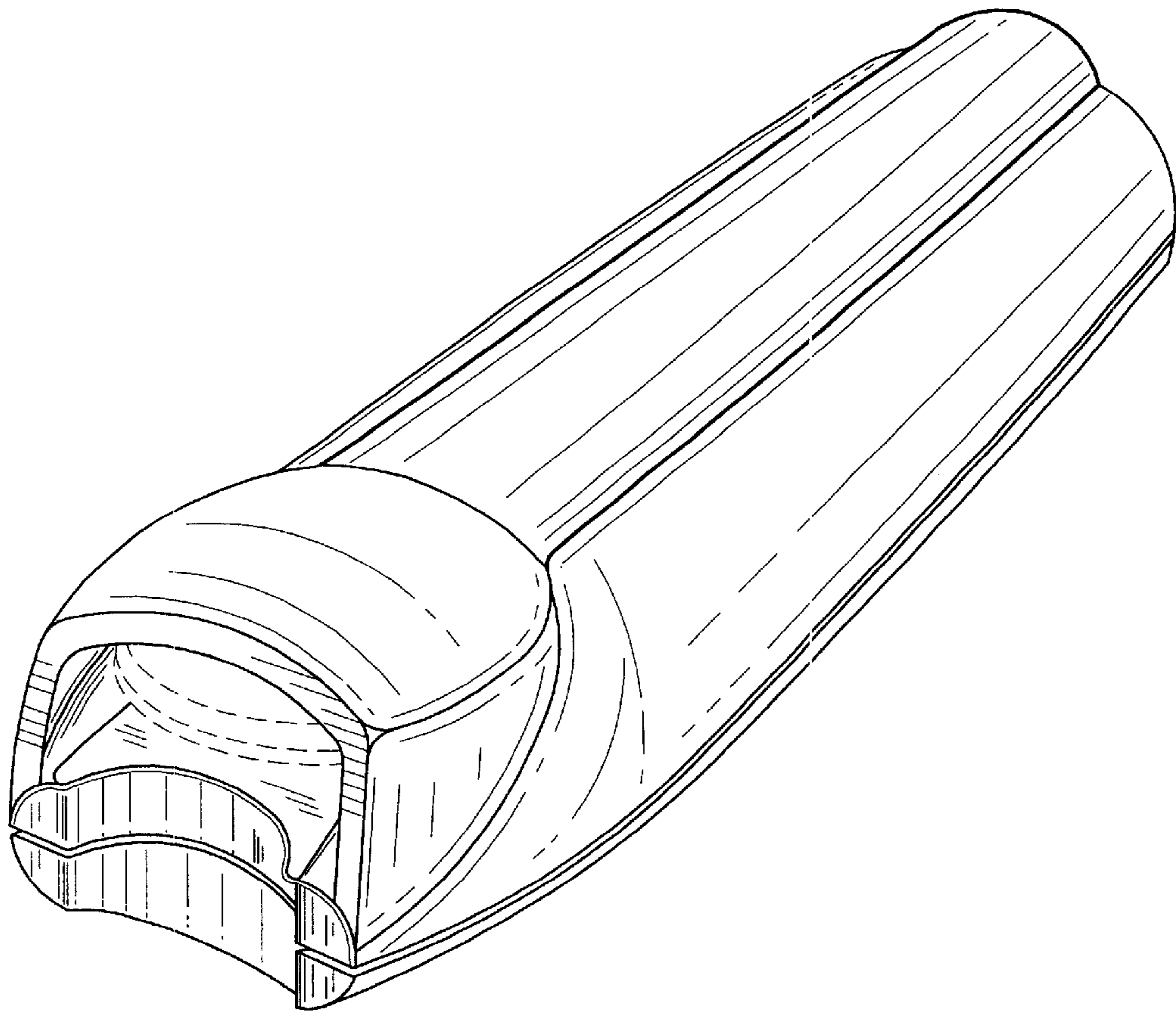


FIG. 1

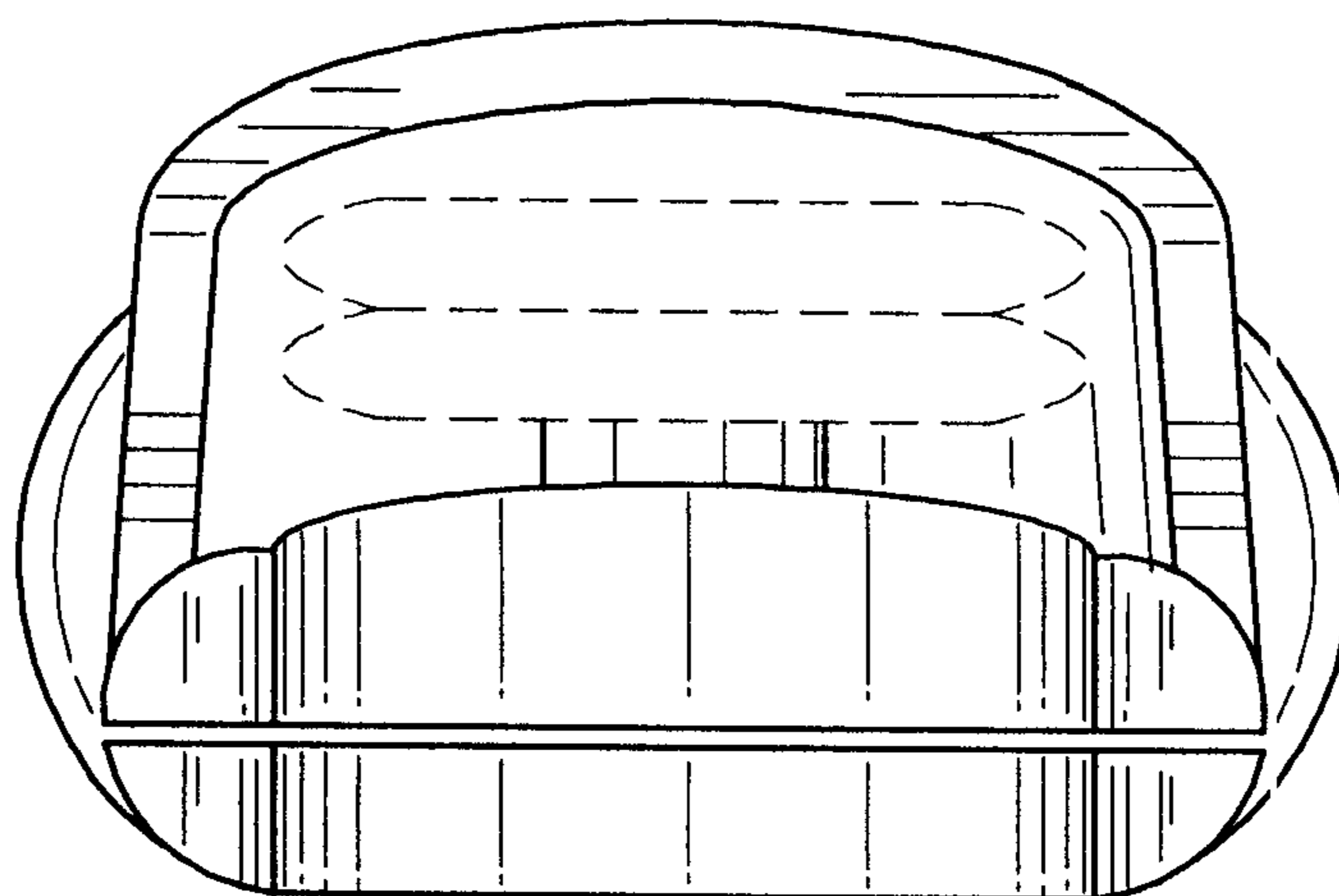


FIG. 2

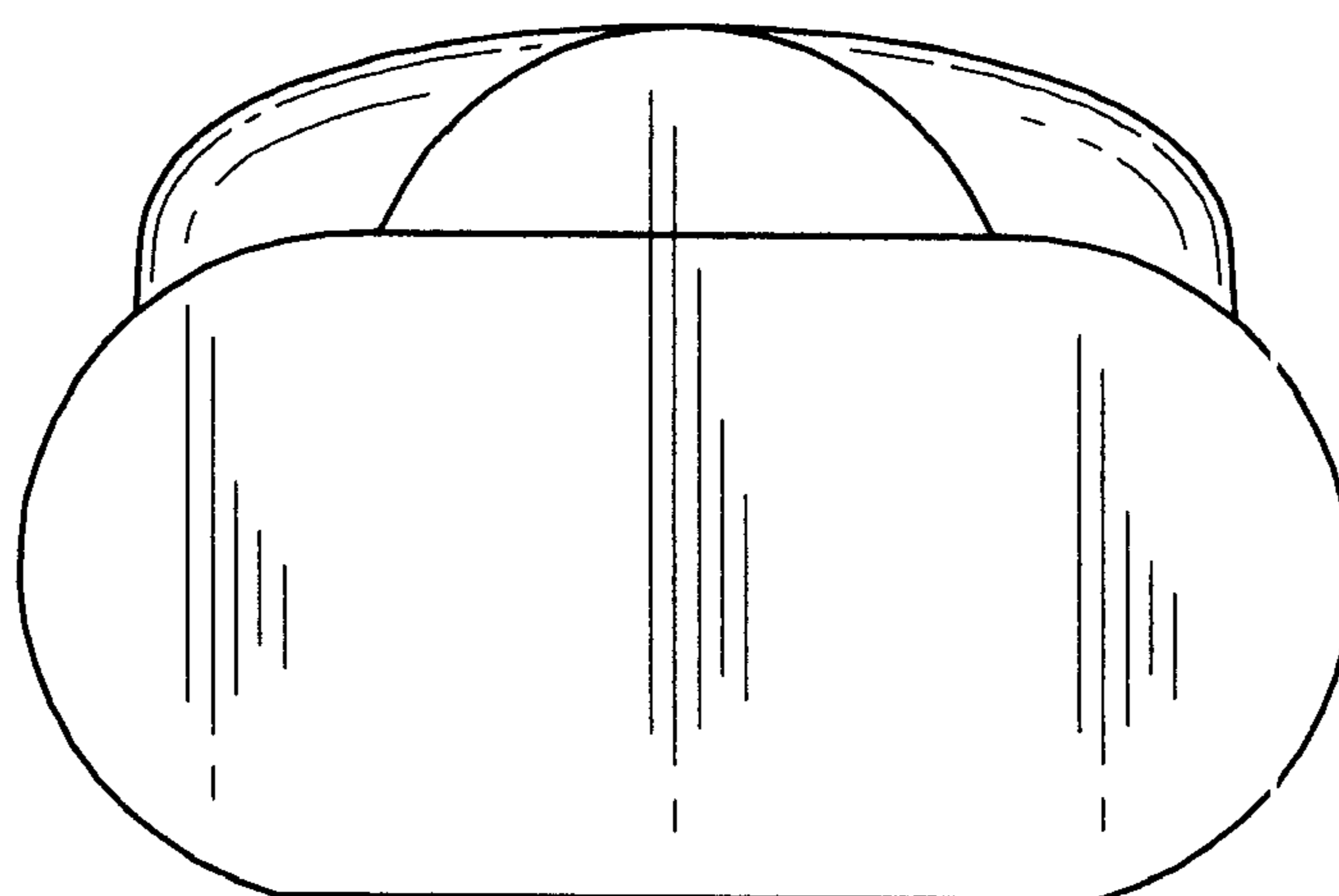


FIG. 3

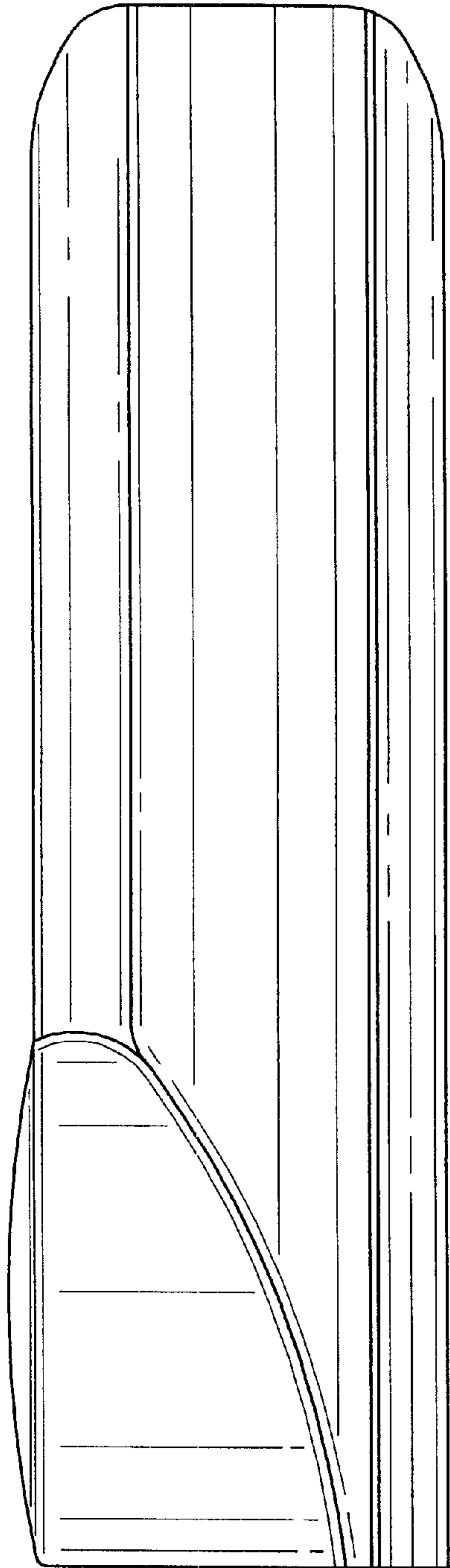


FIG. 4

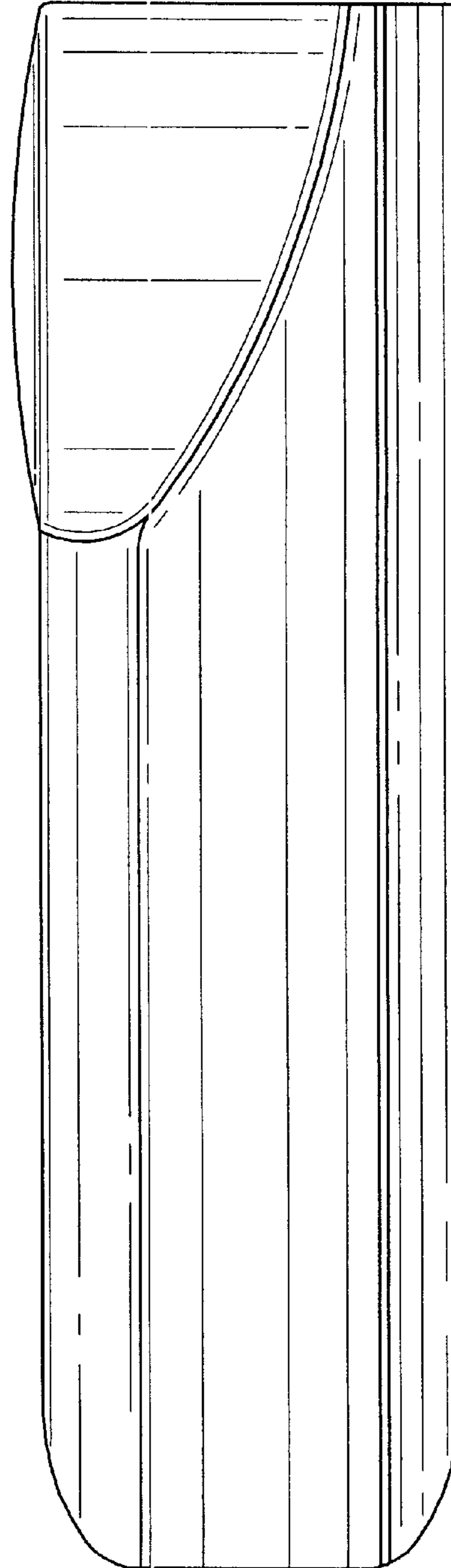


FIG. 5

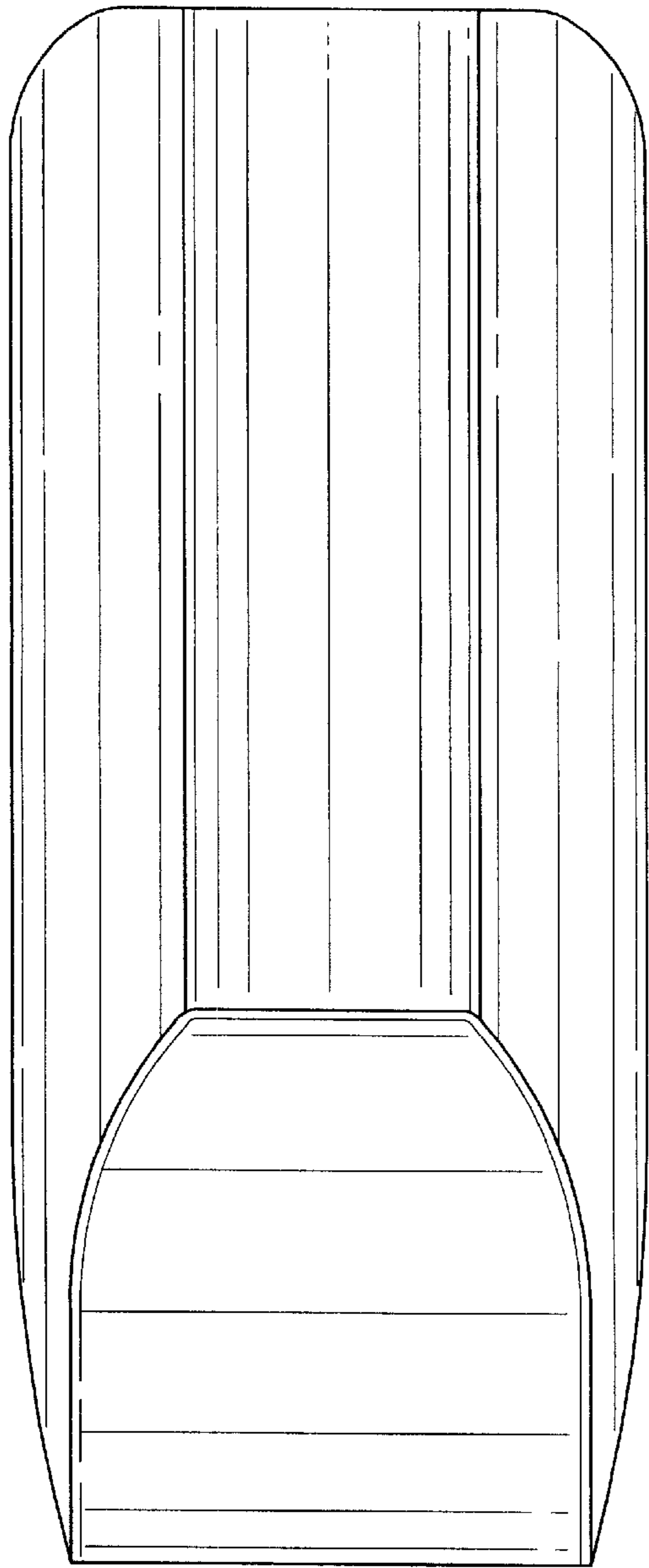


FIG. 6

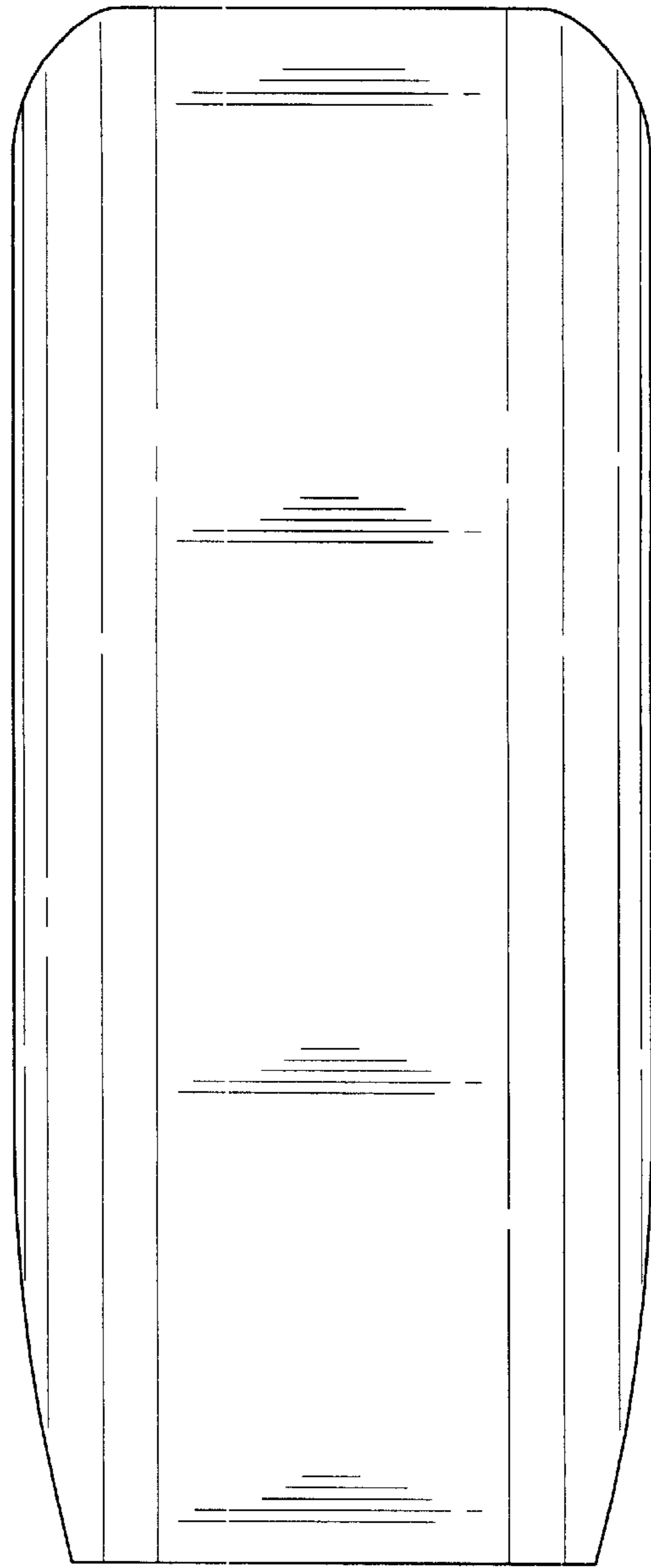


FIG. 7