

US00D523172S

(12) **United States Design Patent**  
**Boyd**

(10) **Patent No.:** **US D523,172 S**  
(45) **Date of Patent:** **\*\* \*Jun. 13, 2006**

- (54) **DENTIFRICE**
- (75) Inventor: **Thomas Boyd**, Metuchen, NJ (US)
- (73) Assignee: **Colgate-Palmolive Company**, New York, NY (US)
- (\*) Notice: This patent is subject to a terminal disclaimer.
- (\*\*) Term: **14 Years**
- (21) Appl. No.: **29/227,606**
- (22) Filed: **Apr. 13, 2005**
- (51) **LOC (8) Cl.** ..... **28-03**
- (52) **U.S. Cl.** ..... **D28/4**
- (58) **Field of Classification Search** ..... D28/4,  
D28/8.1, 8.2; 222/40, 94; 424/49, 52, 401,  
424/492  
See application file for complete search history.

- 5,993,784 A 11/1999 Hill
- D420,463 S \* 2/2000 Mandadi et al. .... D28/4
- 6,126,923 A \* 10/2000 Burke et al. .... 424/49
- 6,139,820 A 10/2000 Fischer et al.
- 6,161,729 A \* 12/2000 Gentile et al. .... 222/94
- 6,592,852 B1 7/2003 Ryles et al.
- D494,708 S \* 8/2004 Boyd ..... D28/4

\* cited by examiner

*Primary Examiner*—Jennifer Rivard  
(74) *Attorney, Agent, or Firm*—Harris A. Wolin

(57) **CLAIM**

The ornamental design for a dentifrice, as shown and described.

**DESCRIPTION**

The dentifrice is shown as dispensed in two segments, one segment substantially transparent containing thin triangular shaped pieces and the other segment being primarily opaque.

FIG. 1 is a perspective view of the dentifrice of my design; FIG. 2 is a right side elevation thereof.

FIG. 3 is a front elevation view thereof.

FIG. 4 is a left side elevation view thereof.

FIG. 5 is a perspective view of an additional embodiment thereof.

FIG. 6 is a right side elevation view thereof.

FIG. 7 is a front elevation view thereof; and,

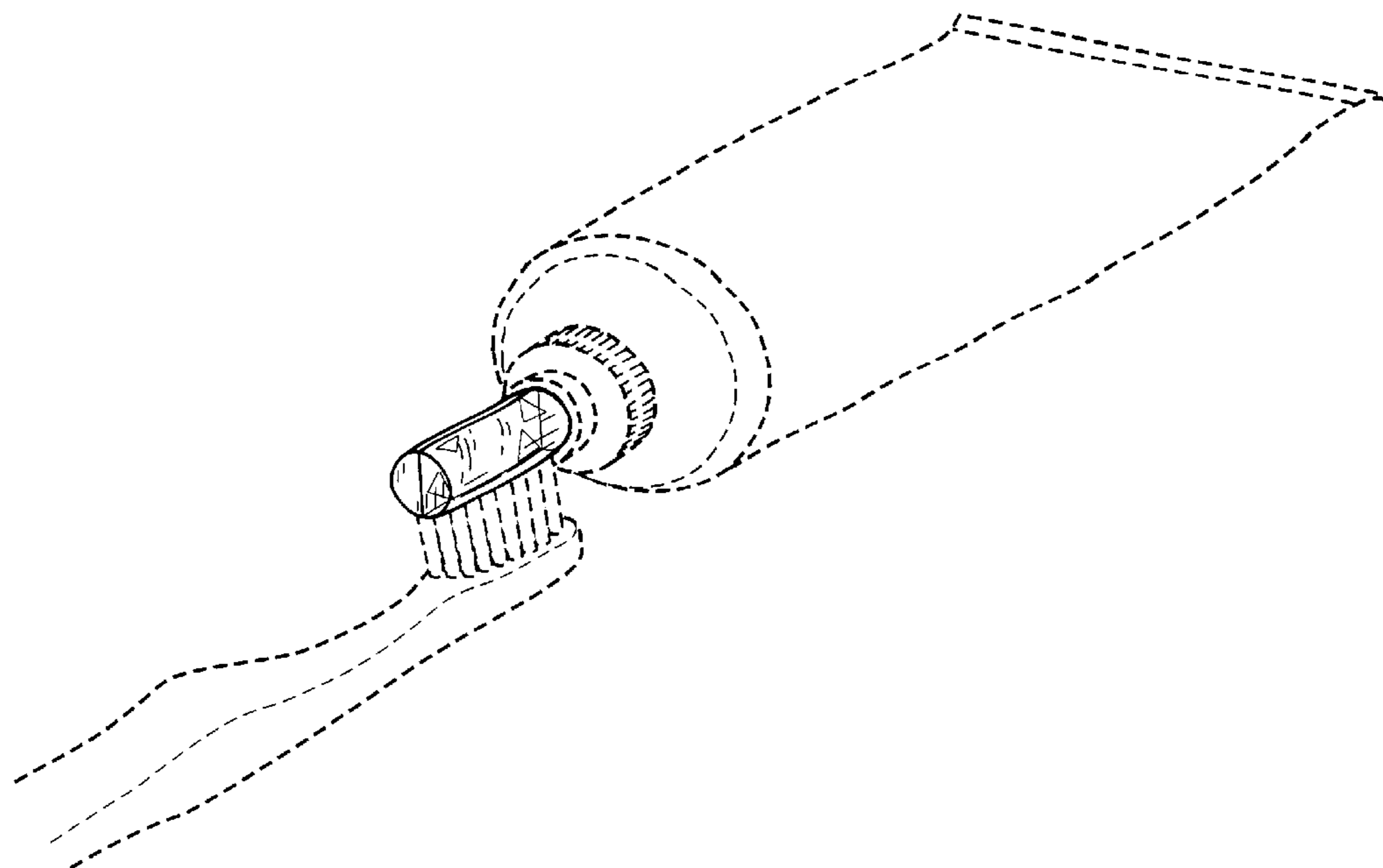
FIG. 8 is a left side elevation view thereof.

The broken line showing of a toothbrush and a tube are for illustrative purposes only and form no part of the claimed design.

(56) **References Cited**  
U.S. PATENT DOCUMENTS

- 3,944,661 A 3/1976 Colodney et al.
- 4,003,971 A 1/1977 Mannara
- 4,069,311 A 1/1978 Mannara
- 4,069,312 A 1/1978 Mannara
- D277,611 S 2/1985 Sanabria
- 4,663,152 A 5/1987 Barth et al.
- 4,849,212 A 7/1989 Glandorf et al.
- D304,382 S 10/1989 Mohrle
- 5,035,349 A \* 7/1991 Donahue ..... 222/94
- 5,088,623 A \* 2/1992 Crawford ..... 222/40
- 5,318,203 A \* 6/1994 Iaia et al. .... 222/94
- 5,941,420 A \* 8/1999 Connan ..... 222/94

**1 Claim, 2 Drawing Sheets**



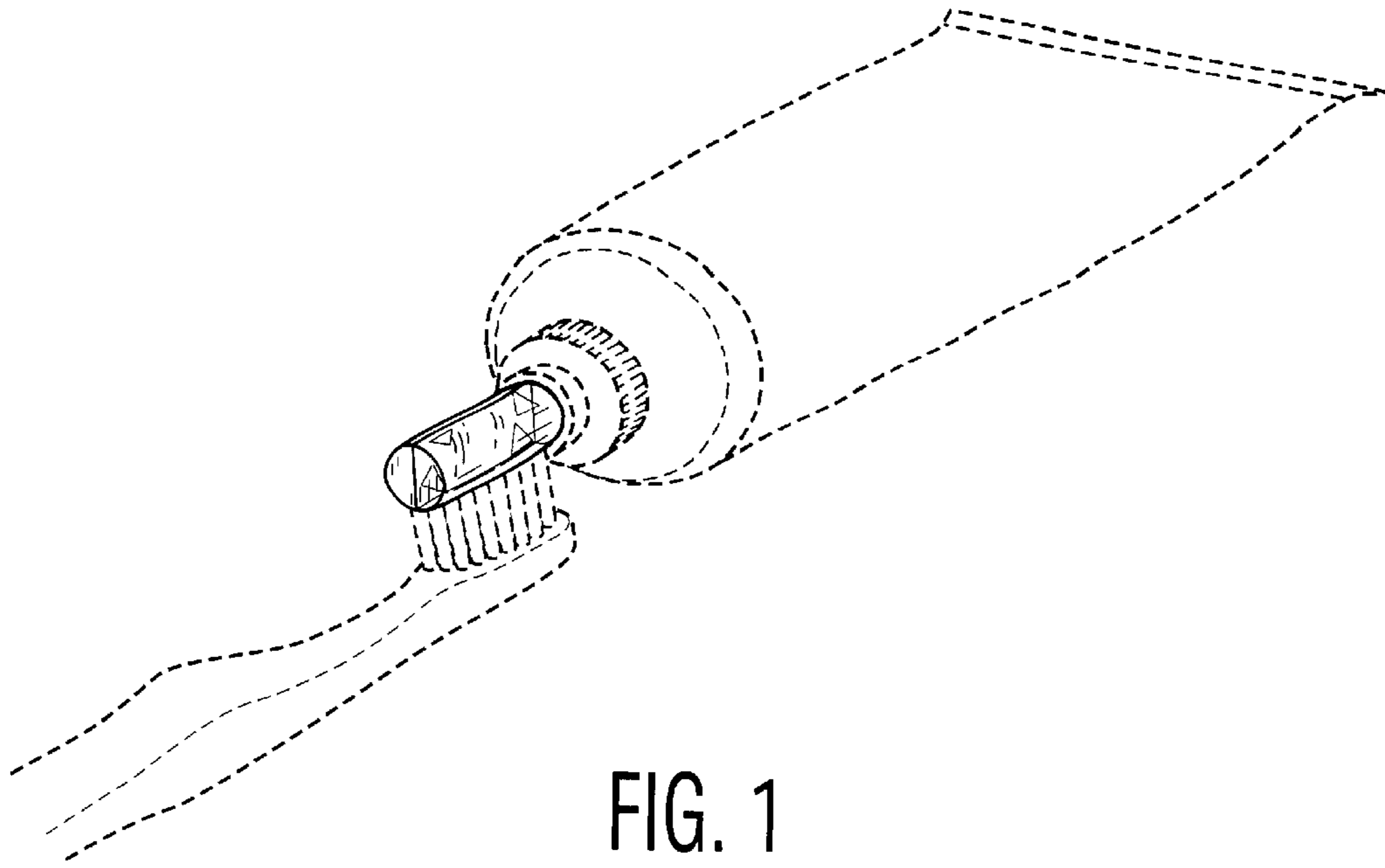


FIG. 1



FIG. 2

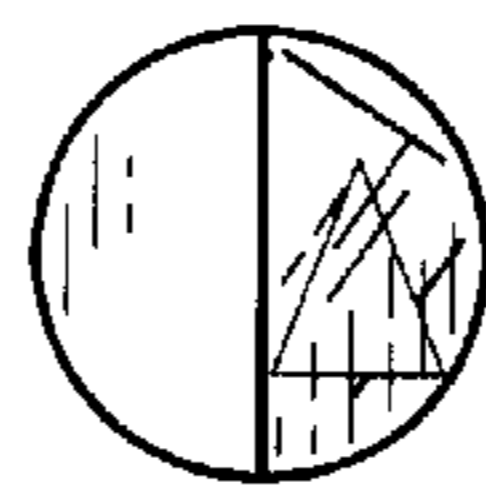


FIG. 3

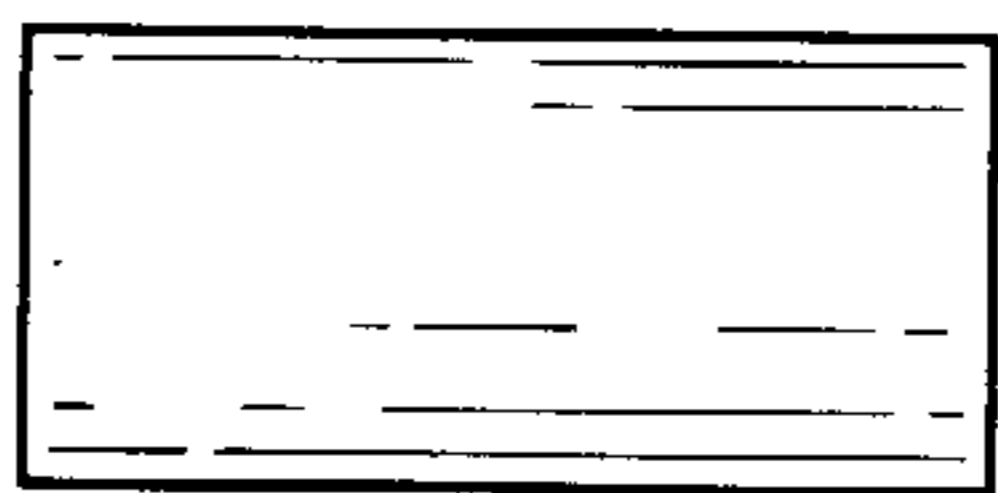


FIG. 4

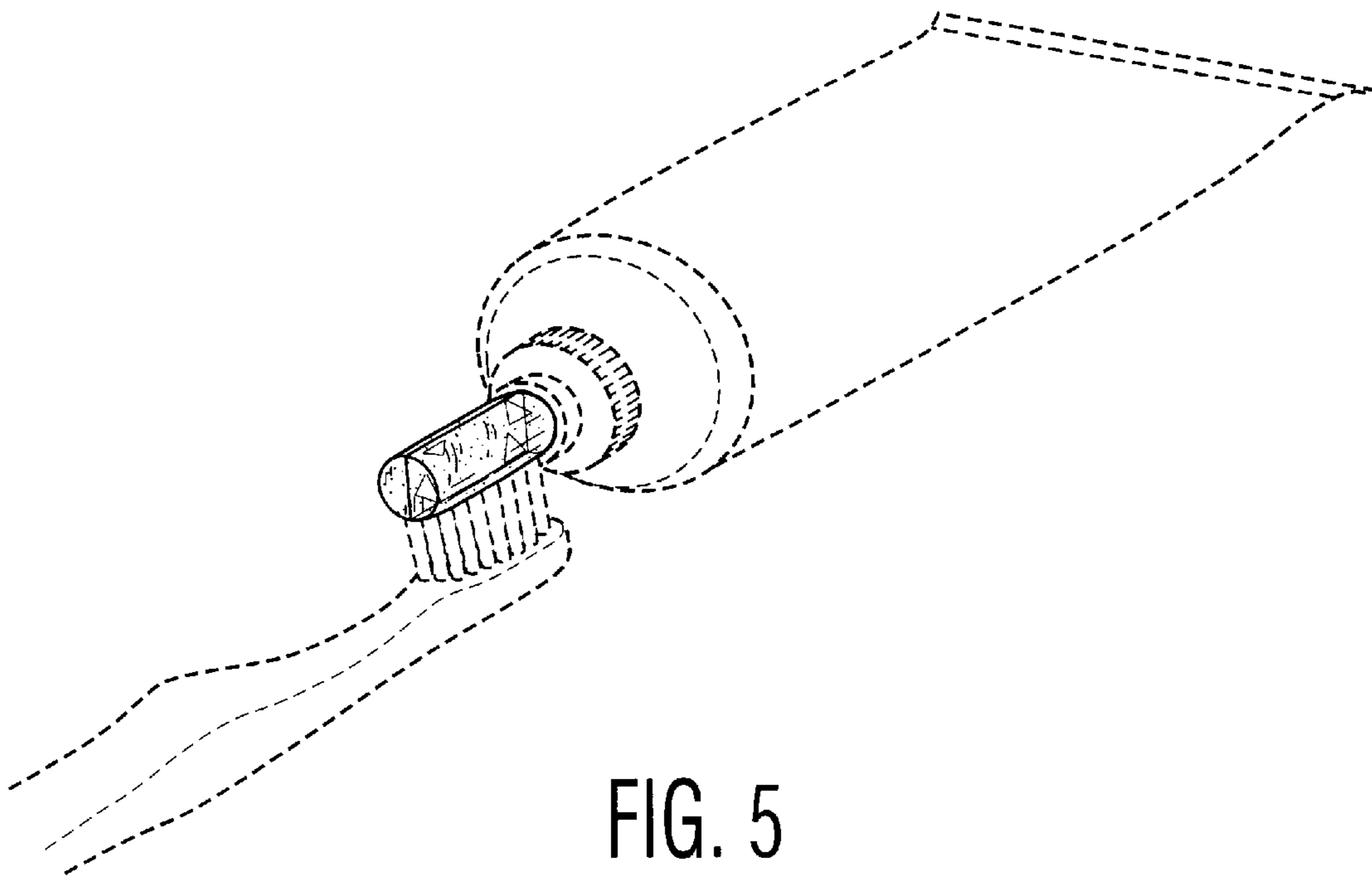


FIG. 5

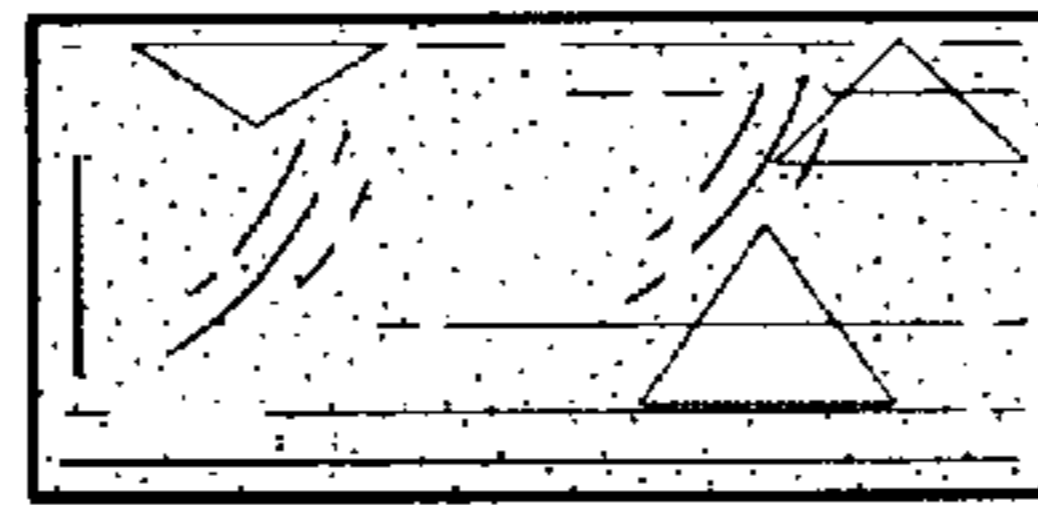


FIG. 6

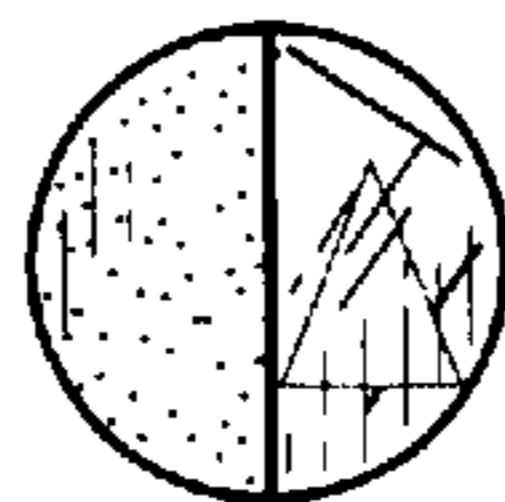


FIG. 7

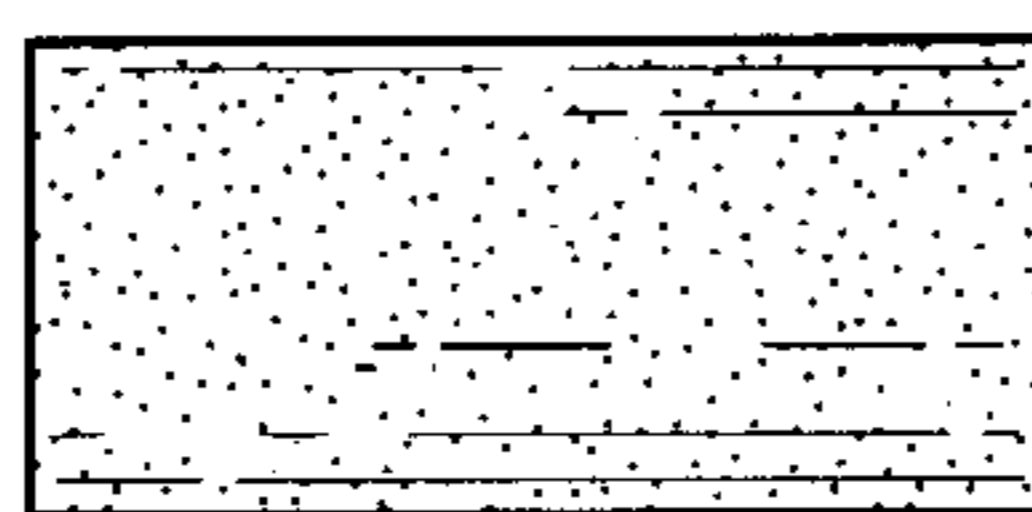


FIG. 8