

US00D523170S

(12) **United States Design Patent**  
**Xu**

(10) **Patent No.:** **US D523,170 S**  
(45) **Date of Patent:** **\*\* Jun. 13, 2006**

(54) **BARREL LIGHTER**

(75) Inventor: **Wen Xu**, Zhejiang (CN)

(73) Assignee: **Zreative Product Inc.**, El Monte, CA (US)

(\*\*) Term: **14 Years**

(21) Appl. No.: **29/239,890**

(22) Filed: **Oct. 6, 2005**

(51) **LOC (8) Cl.** ..... **27-05**

(52) **U.S. Cl.** ..... **D27/148; D27/152; D34/39**

(58) **Field of Classification Search** ..... D27/141, D27/142, 148-157; D34/39; 431/125, 253  
See application file for complete search history.

(56) **References Cited**

**U.S. PATENT DOCUMENTS**

D328,038 S \* 7/1992 Bruce ..... D34/39

D359,830 S \* 6/1995 Mikula et al. .... D34/39

\* cited by examiner

*Primary Examiner*—Jennifer Rivard

(74) *Attorney, Agent, or Firm*—Raymond Y. Chan; David & Raymond

(57) **CLAIM**

The ornamental design for a barrel lighter, as shown.

**DESCRIPTION**

FIG. 1 is a perspective view showing my new design.

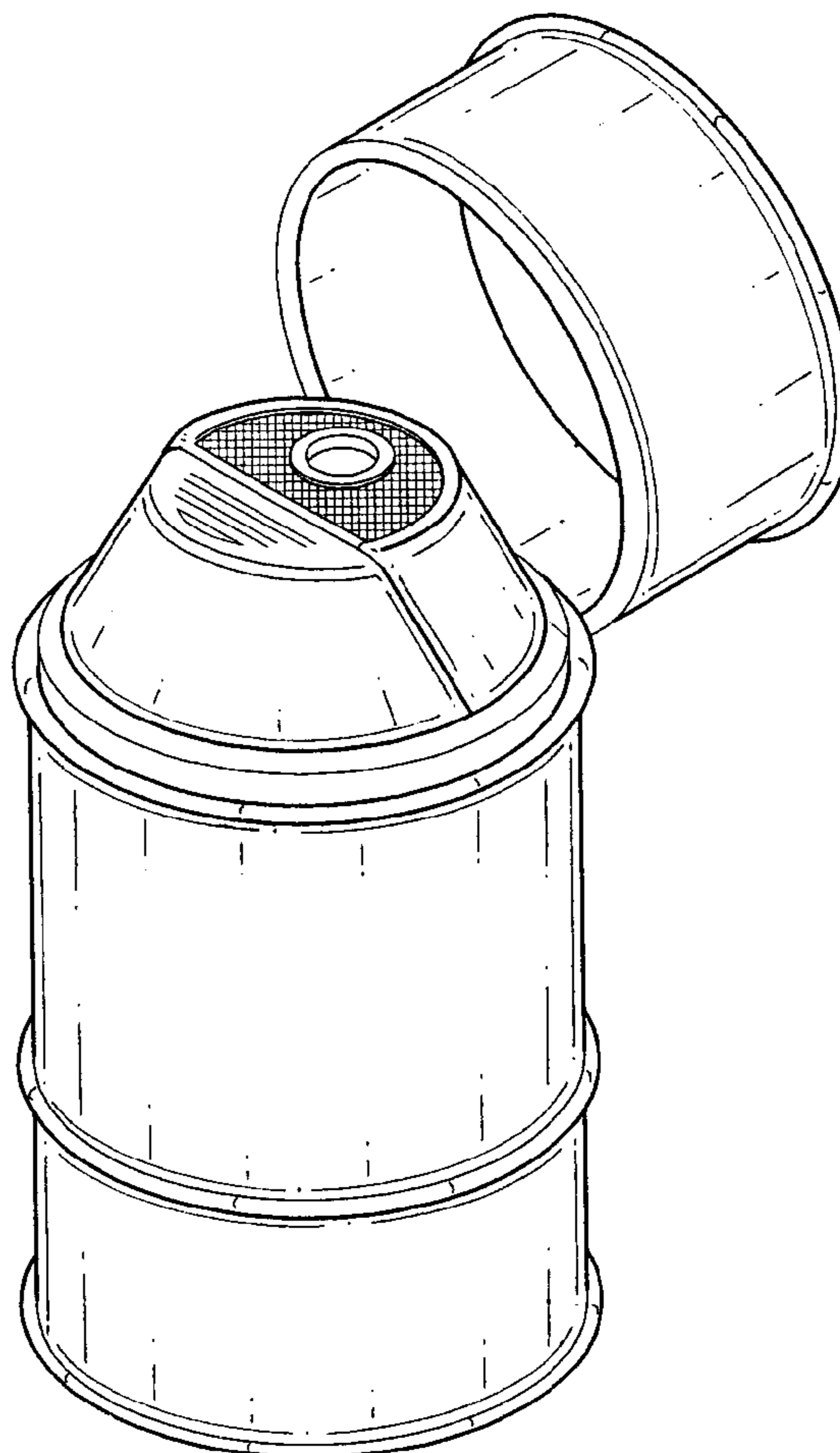
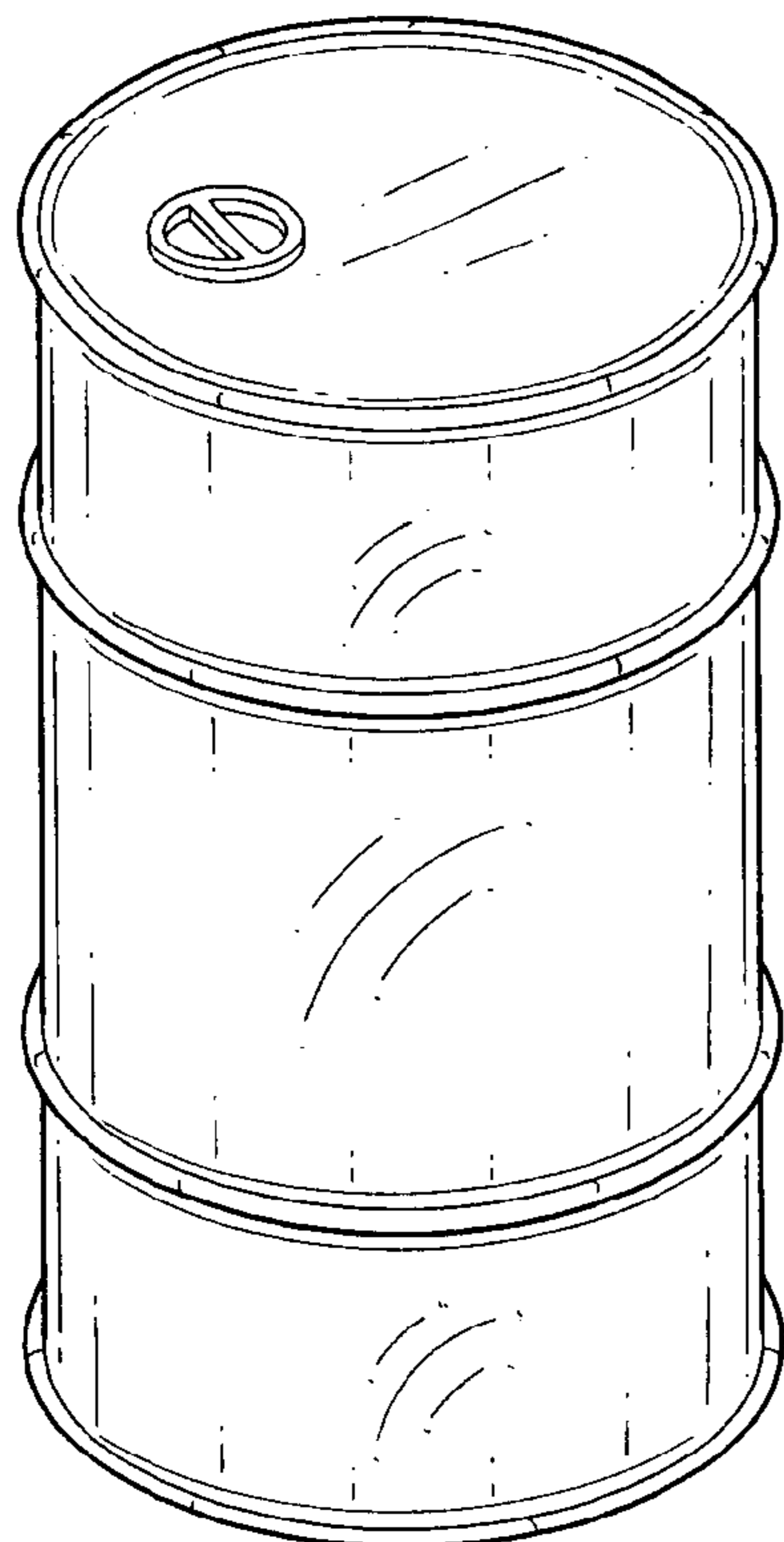
FIG. 2 is a top view thereof.

FIG. 3 is a bottom view thereof.

FIG. 4 is a side view thereof; and,

FIG. 5 is a perspective view showing an open position thereof.

**1 Claim, 5 Drawing Sheets**



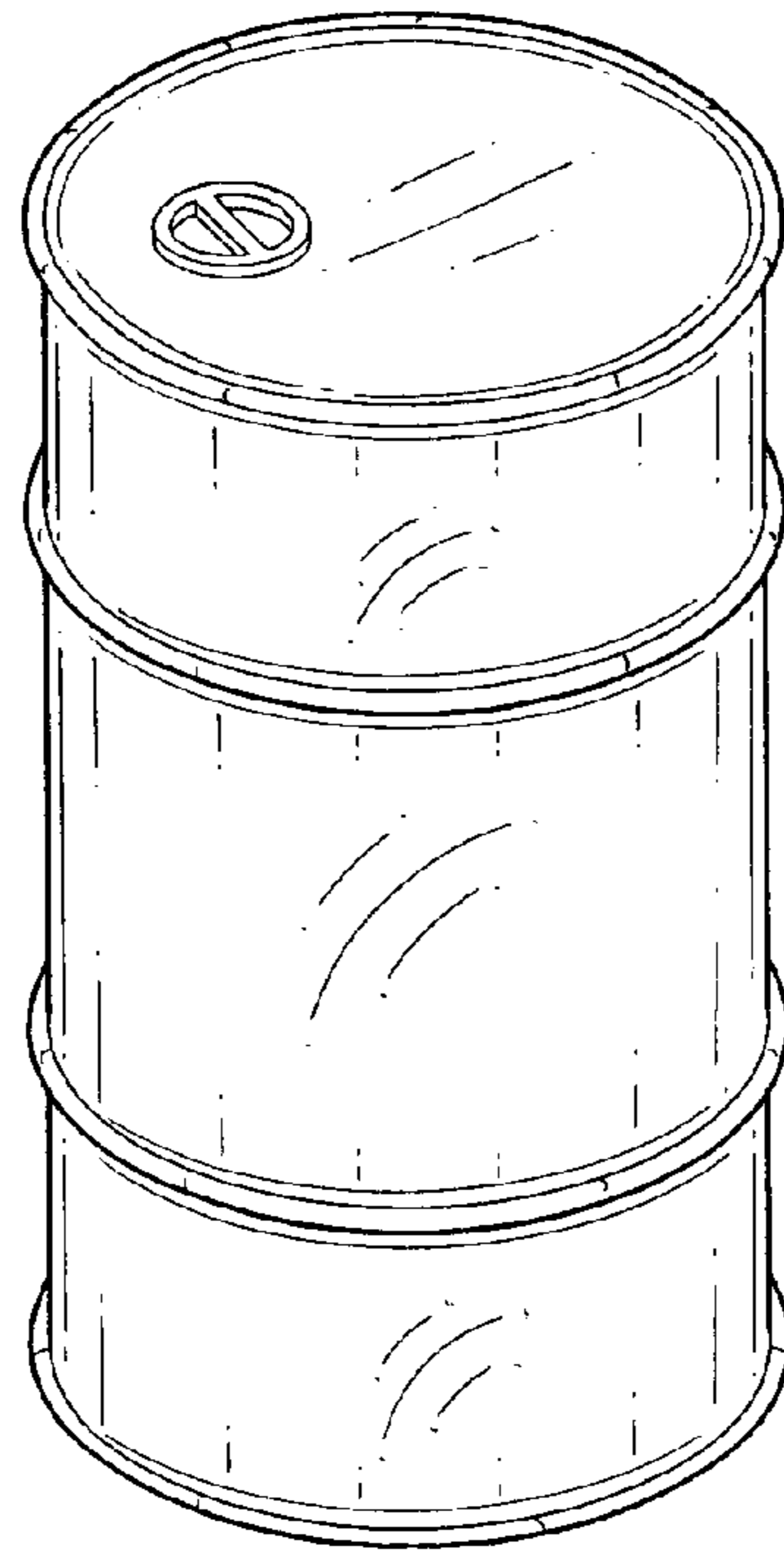


FIG. 1

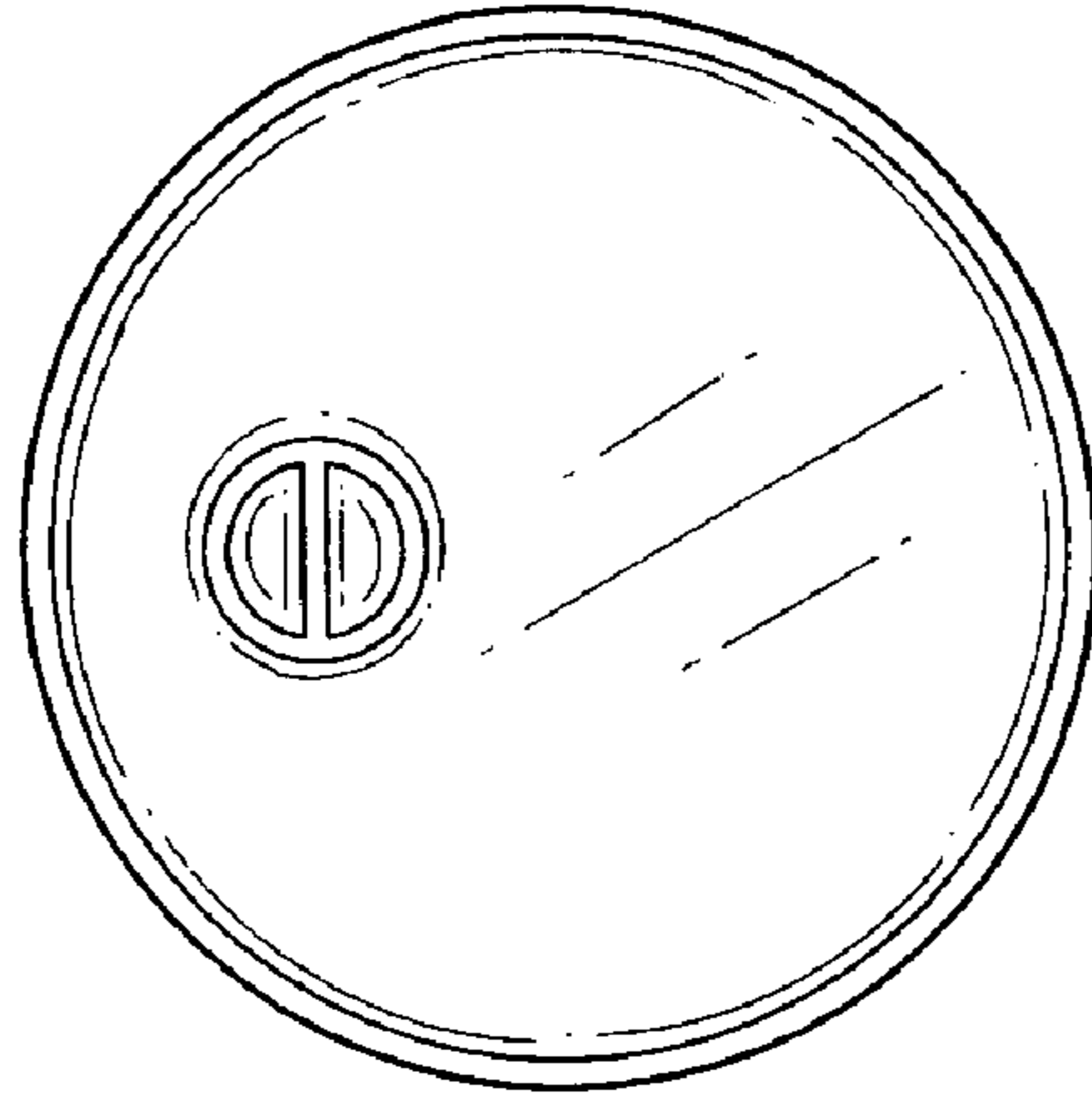


FIG.2

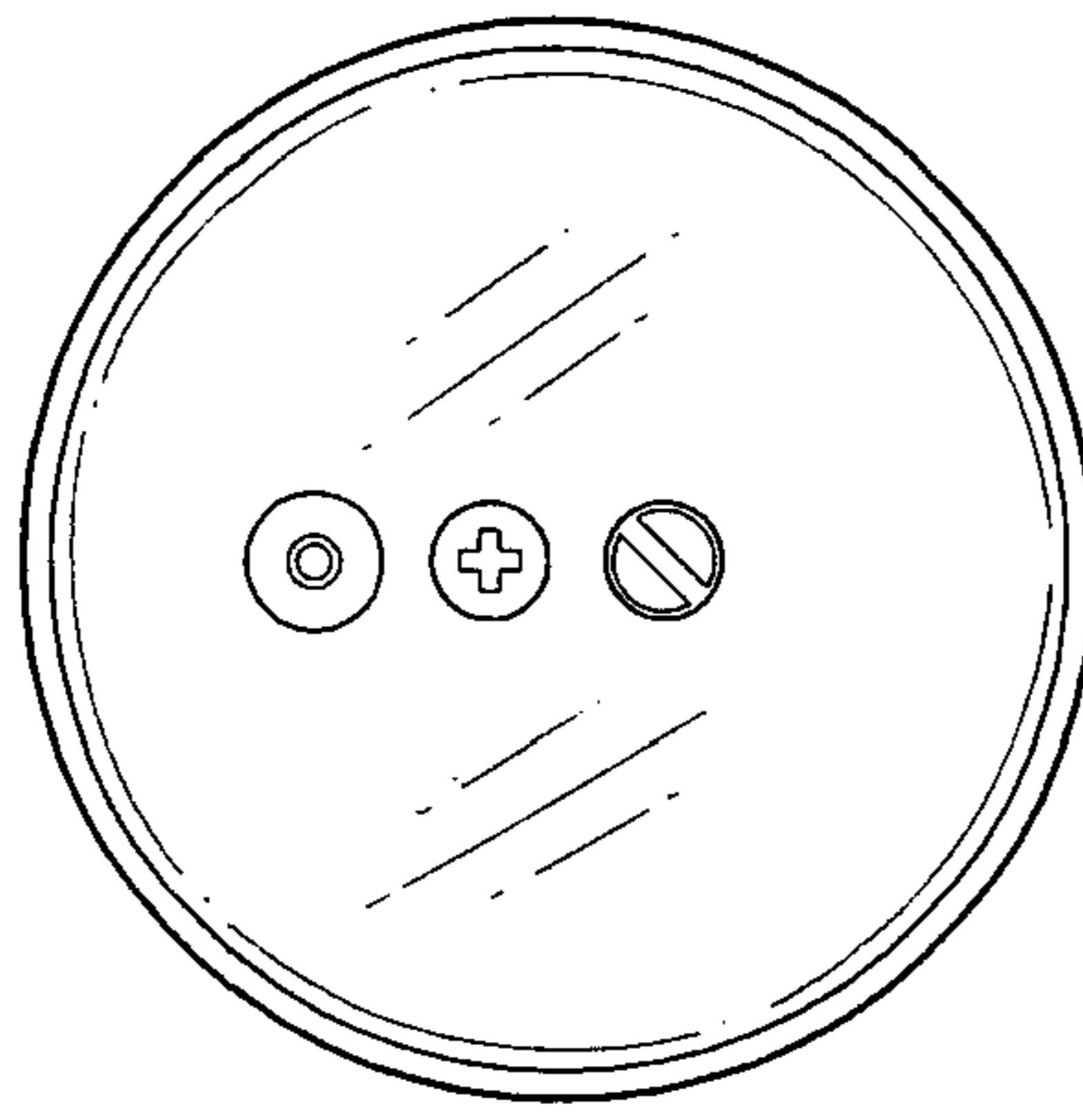


FIG.3

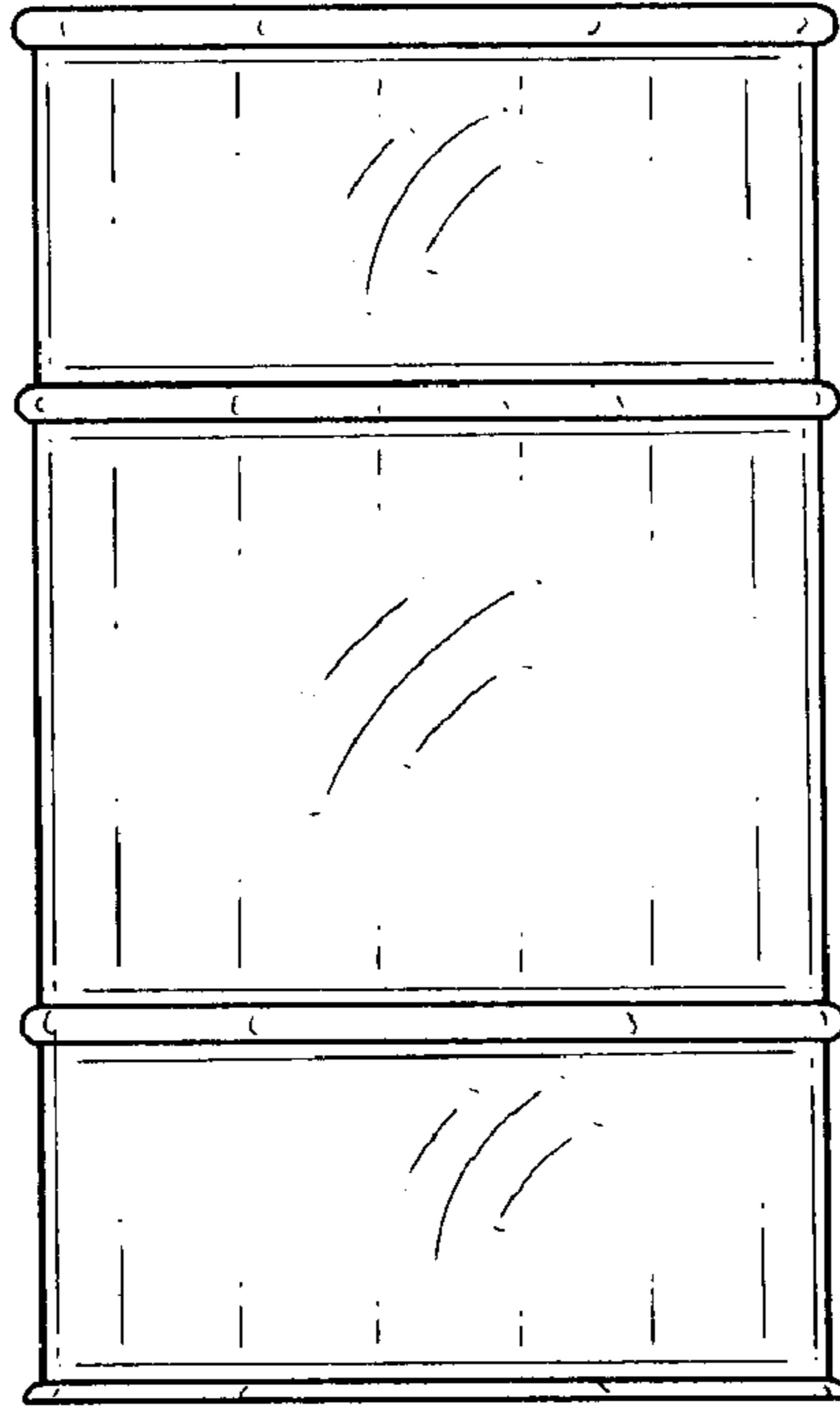


FIG. 4

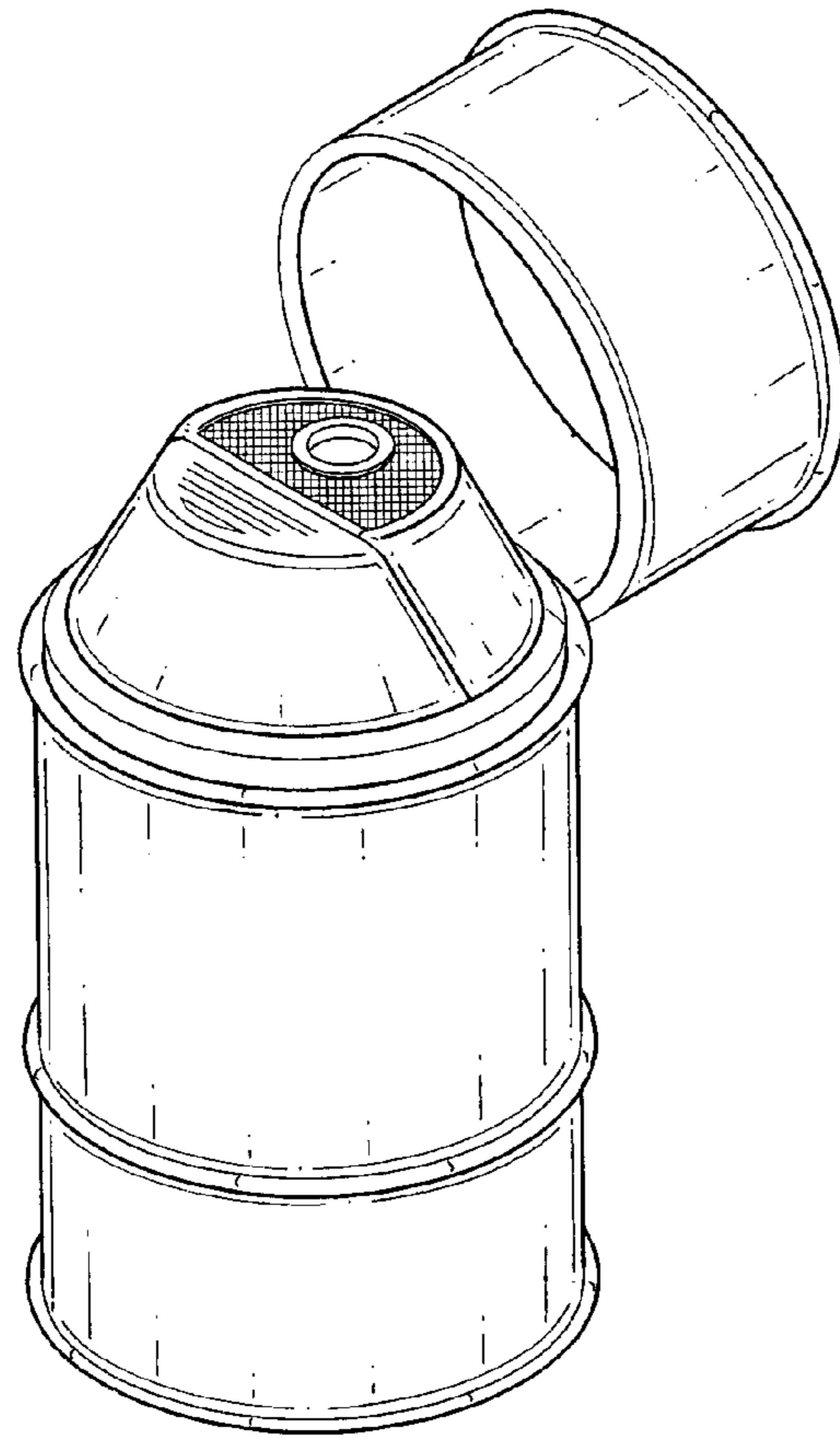


FIG.5