

US00D523168S

(12) **United States Design Patent**
Reed et al.

(10) **Patent No.:** **US D523,168 S**
(45) **Date of Patent:** **** Jun. 13, 2006**

(54) **REFLECTOR**

D471,657 S * 3/2003 Huang D26/28

(75) Inventors: **Camas Reed**, Columbus, OH (US);
Anthony Peter Mascadri,
Mechanicsburg, OH (US); **Rodney**
Frijas, Columbus, OH (US)

* cited by examiner

Primary Examiner—Marcus A. Jackson
(74) *Attorney, Agent, or Firm*—Dinsmore & Shohl LLP

(73) Assignee: **Honda Motor Company, Ltd.**, Tokyo
(JP)

(57) **CLAIM**

The ornamental design for a reflector, as shown and described.

(**) Term: **14 Years**

DESCRIPTION

(21) Appl. No.: **29/226,851**

FIG. 1 is a top-right front perspective view of a reflector;
FIG. 2 is a top-left front perspective view of the reflector of
FIG. 1;

(22) Filed: **Apr. 1, 2005**

(51) **LOC (8) Cl.** **26-99**

(52) **U.S. Cl.** **D26/139**

(58) **Field of Classification Search** D26/28–36,
D26/119; 362/61, 74, 147, 330, 331, 336,
362/372

FIG. 3 is a front elevational view of the reflector of FIG. 1;
FIG. 4 is a right side elevational view of the reflector of FIG.
1;

See application file for complete search history.

FIG. 5 is a left side elevational view of the reflector of FIG.
1;

(56) **References Cited**

U.S. PATENT DOCUMENTS

D465,860 S * 11/2002 Huang D26/28

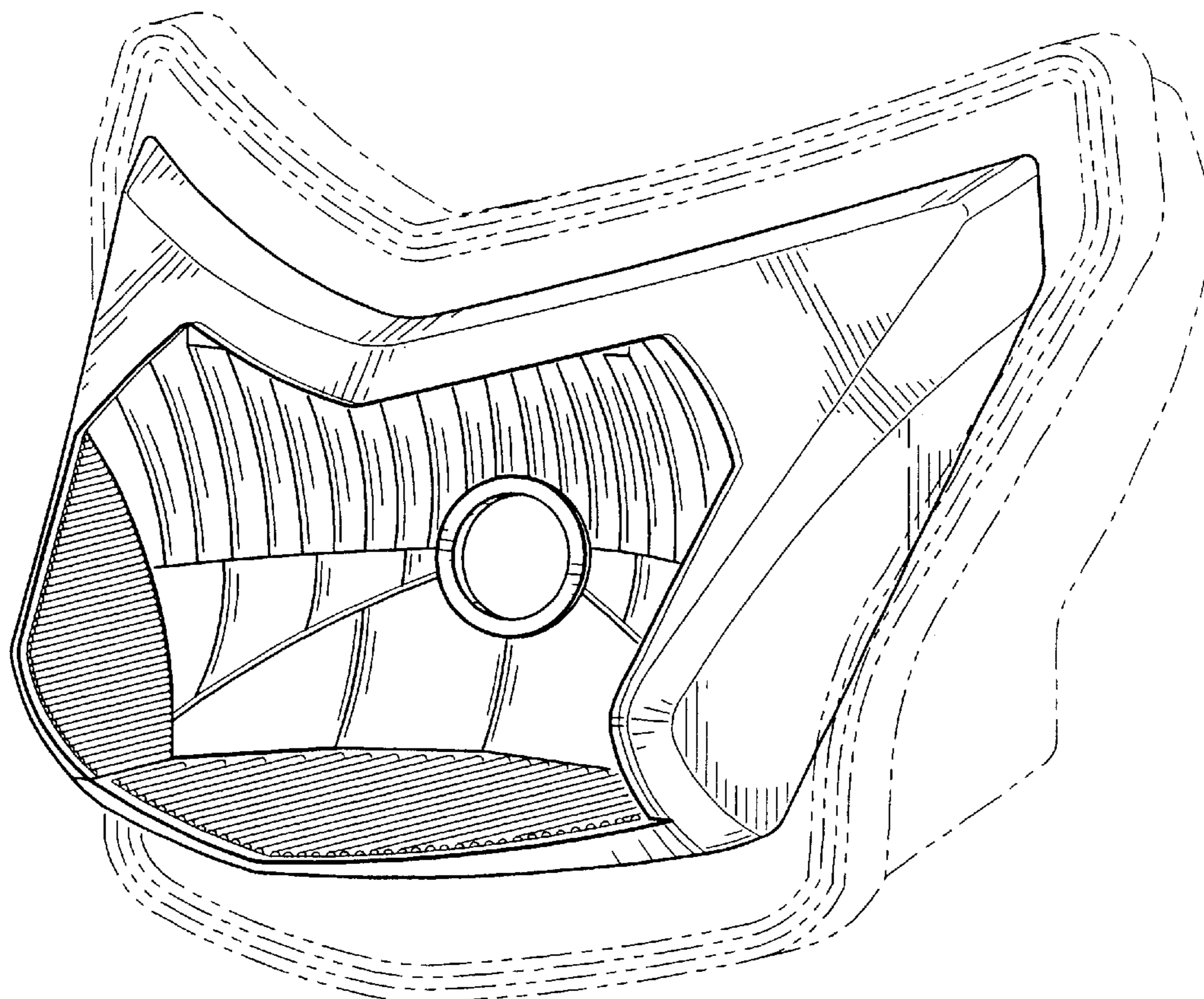
D465,861 S * 11/2002 Huang D26/28

D469,213 S * 1/2003 Huang D26/139

FIG. 6 is a rear elevational view of the reflector of FIG. 1;
FIG. 7 is a top plan view of the reflector of FIG. 1; and,
FIG. 8 is a bottom plan view of the reflector of FIG. 1.

The phantom lines and areas shown in the figures are for illustrative purposes only and form no part of the claimed design.

1 Claim, 7 Drawing Sheets



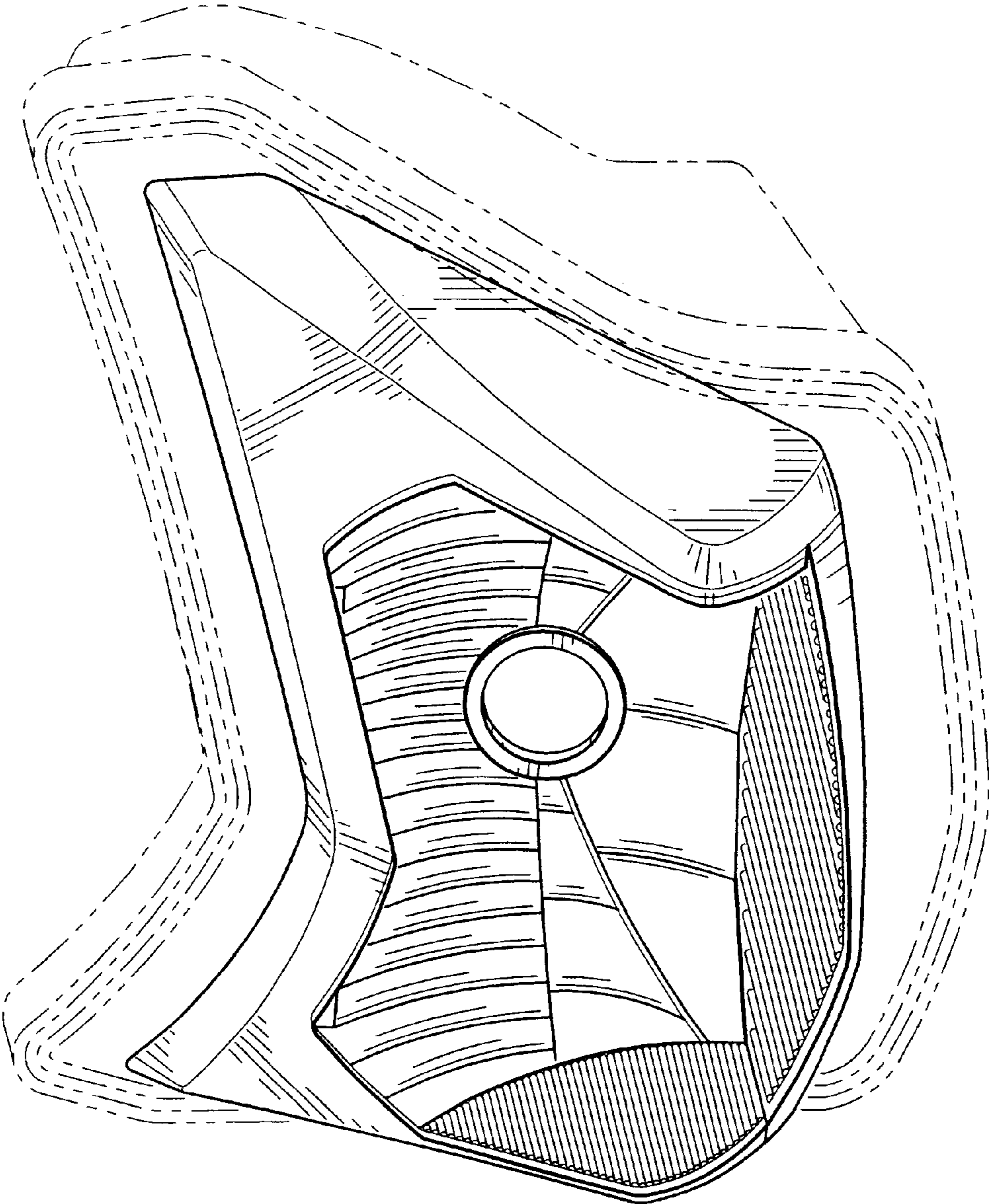


FIG. 1

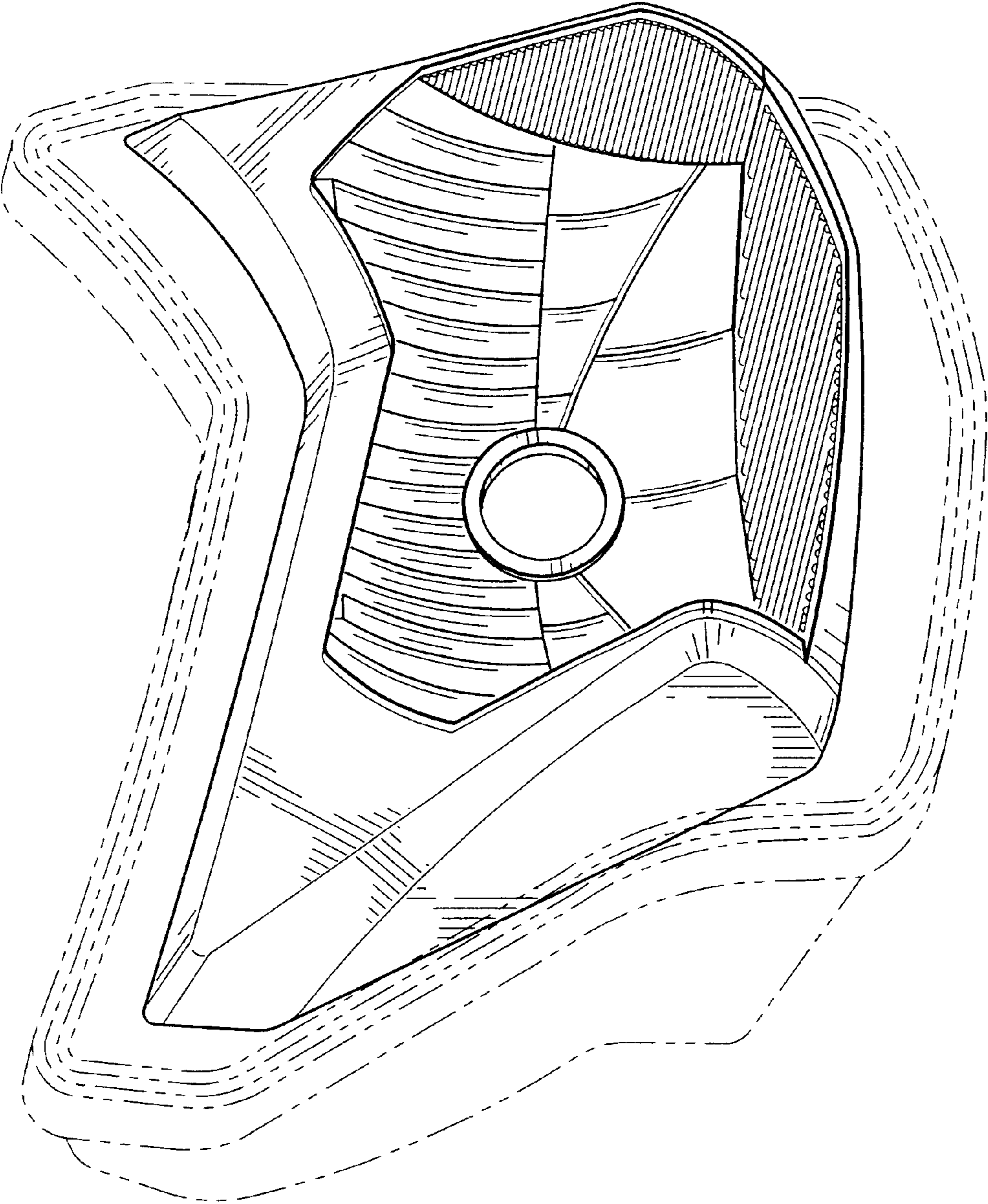


FIG. 2

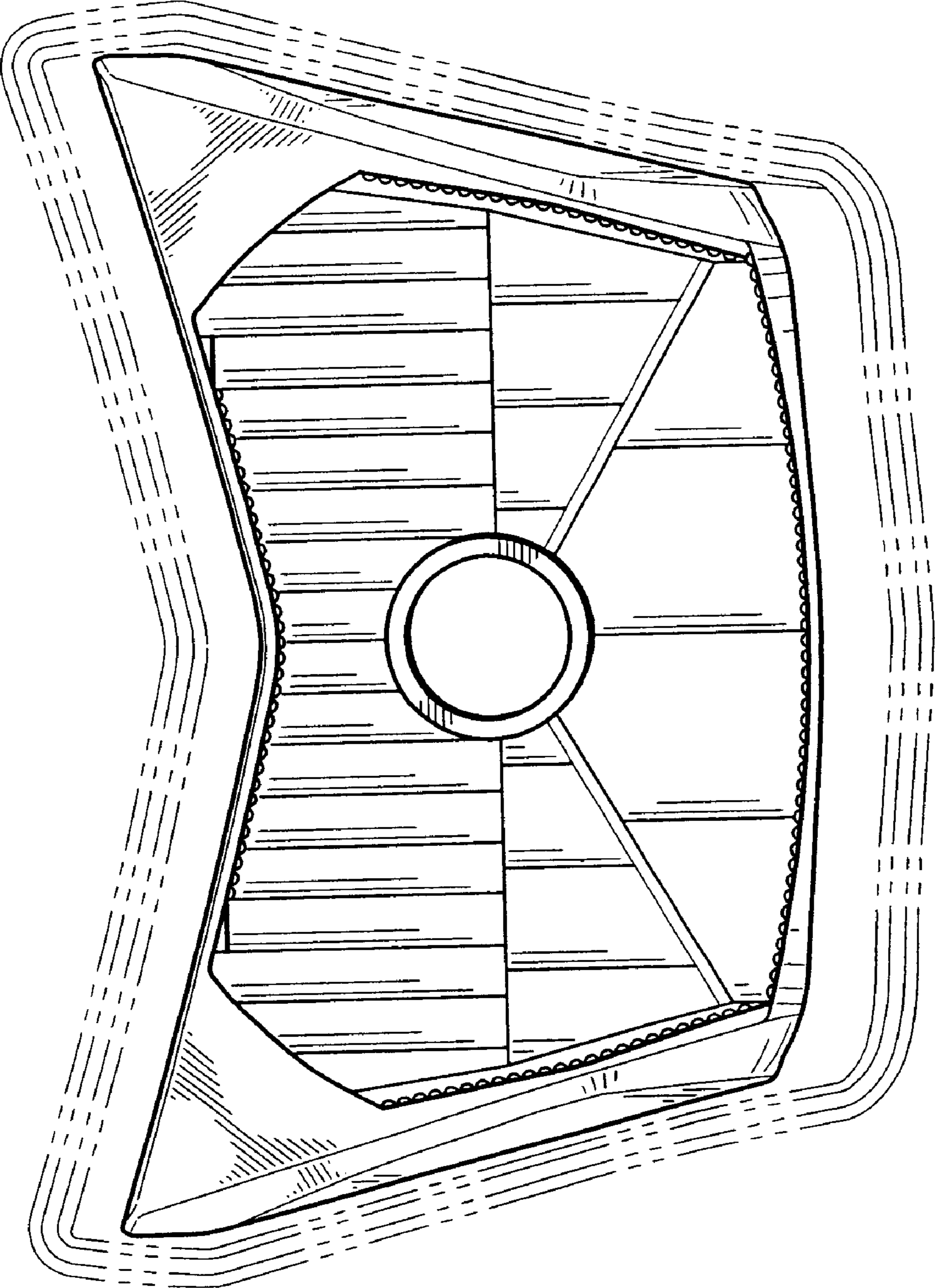


FIG. 3

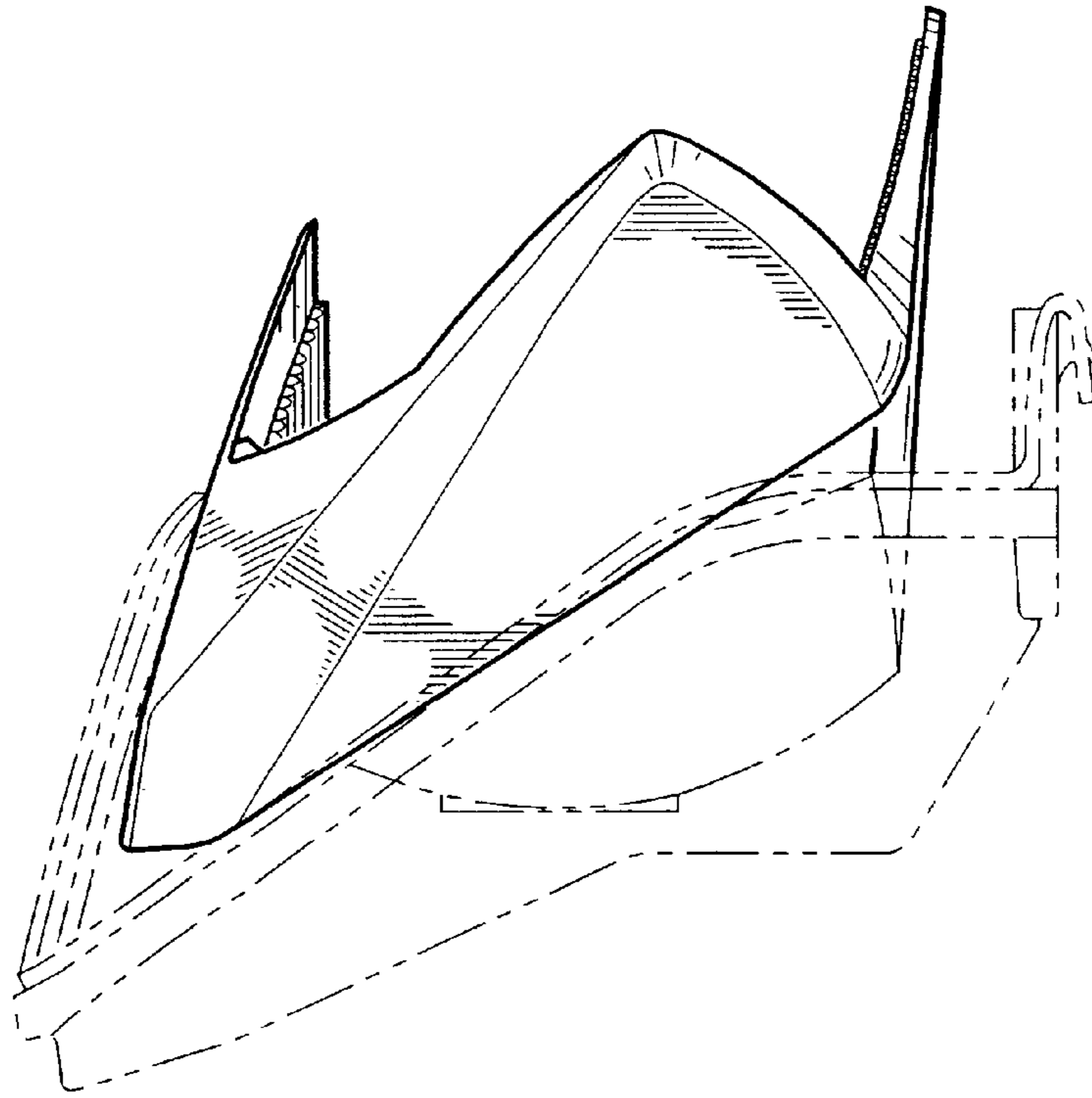


FIG. 5

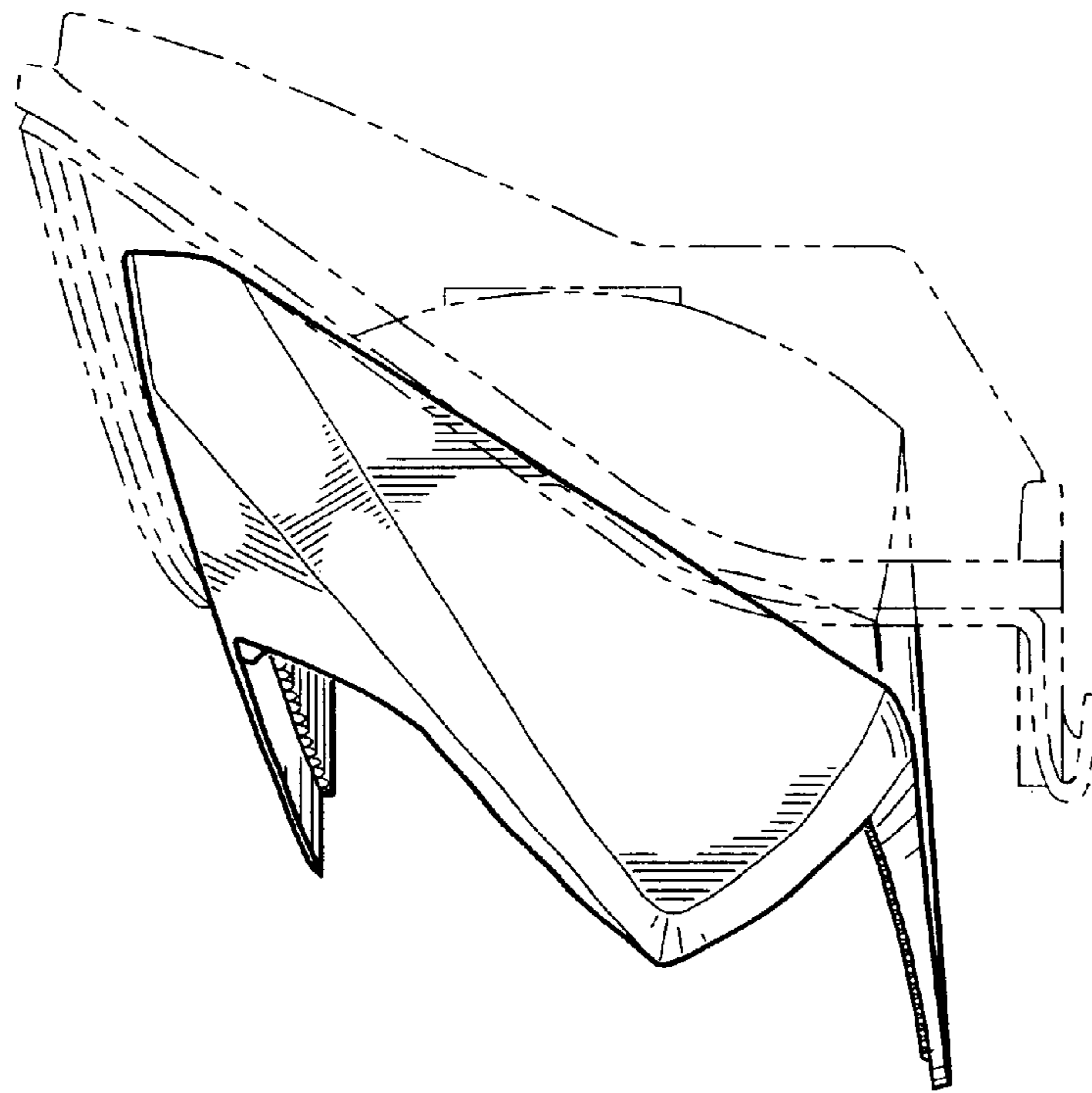


FIG. 4

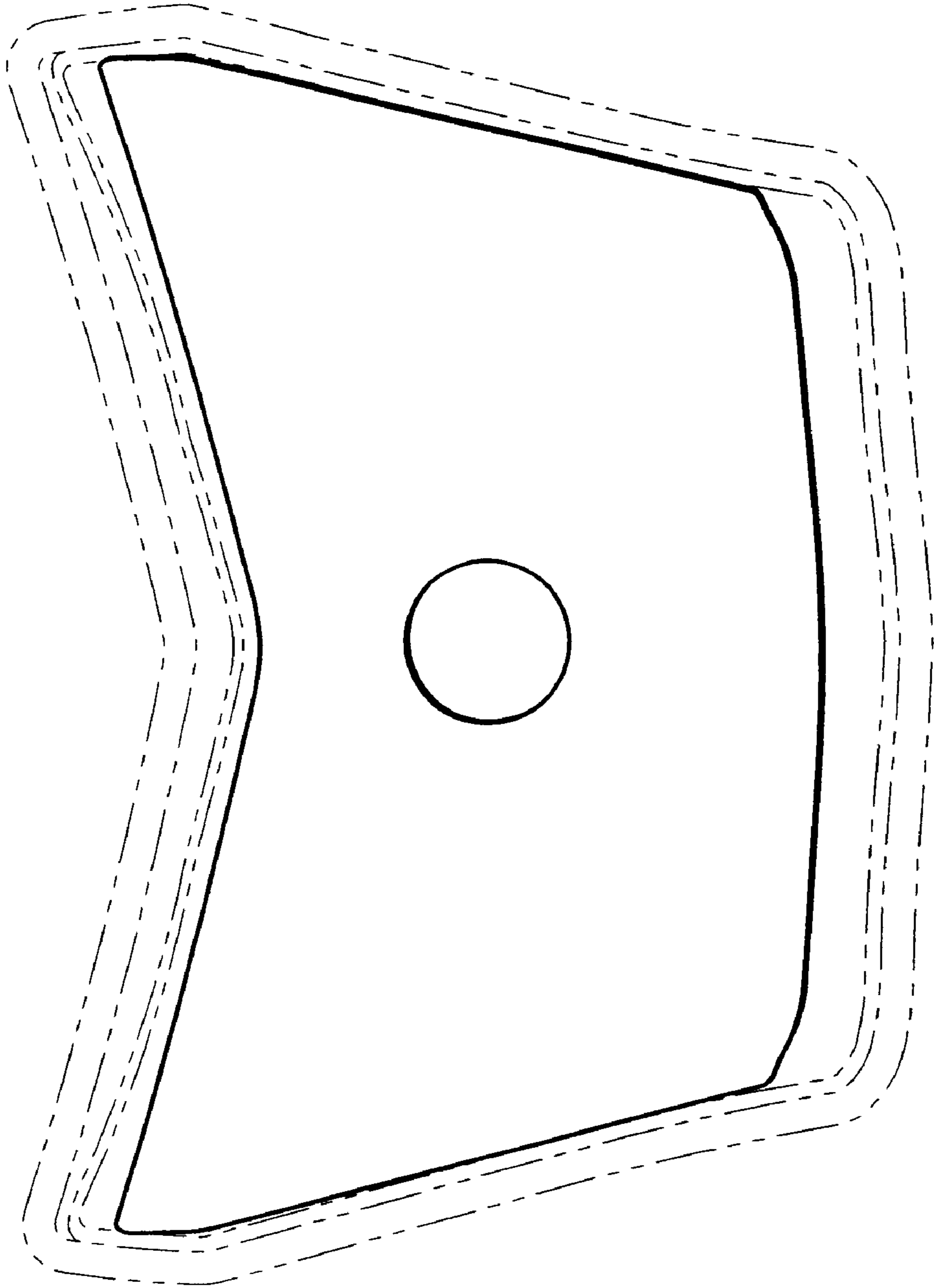


FIG. 6

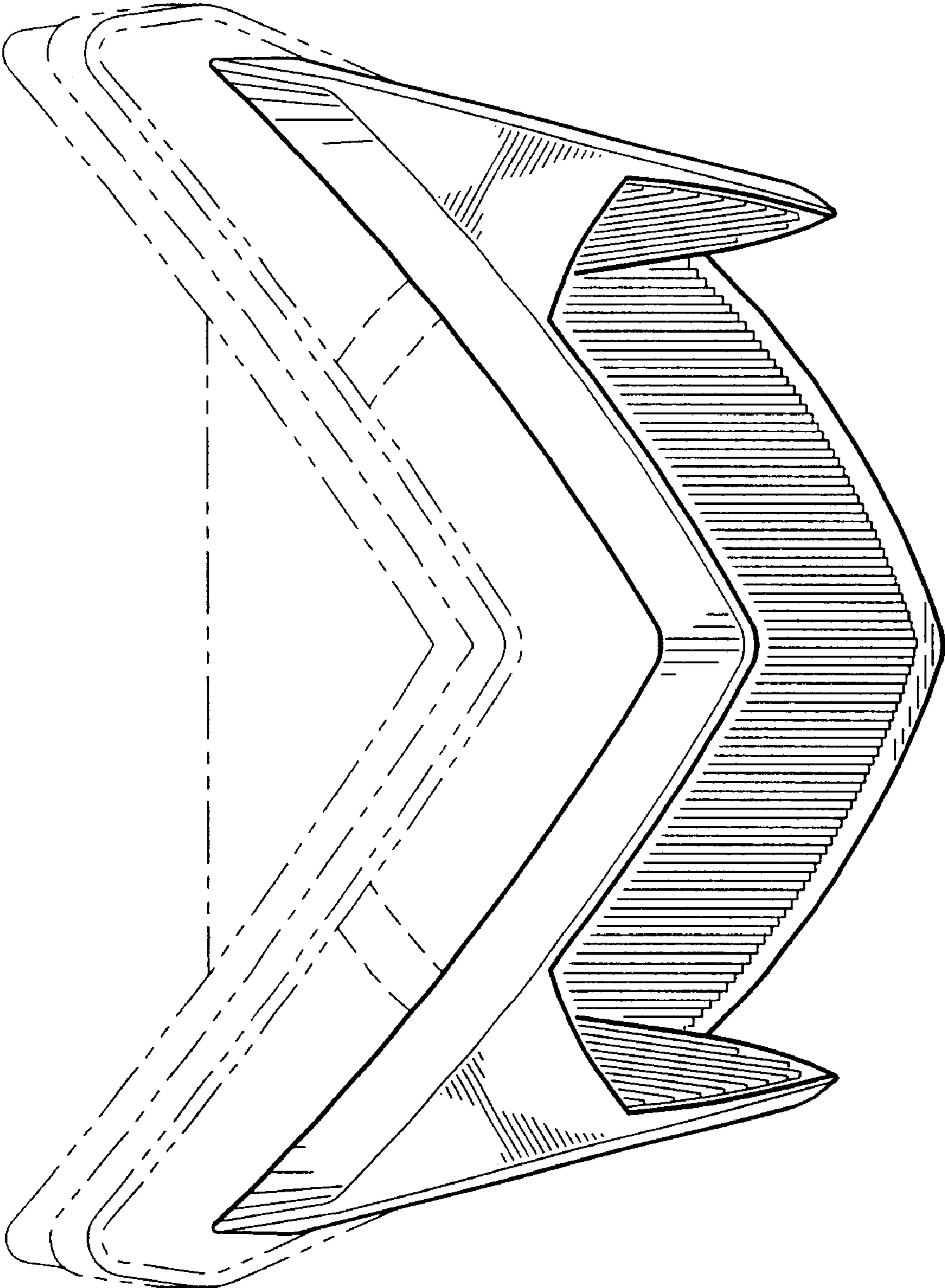


FIG. 7

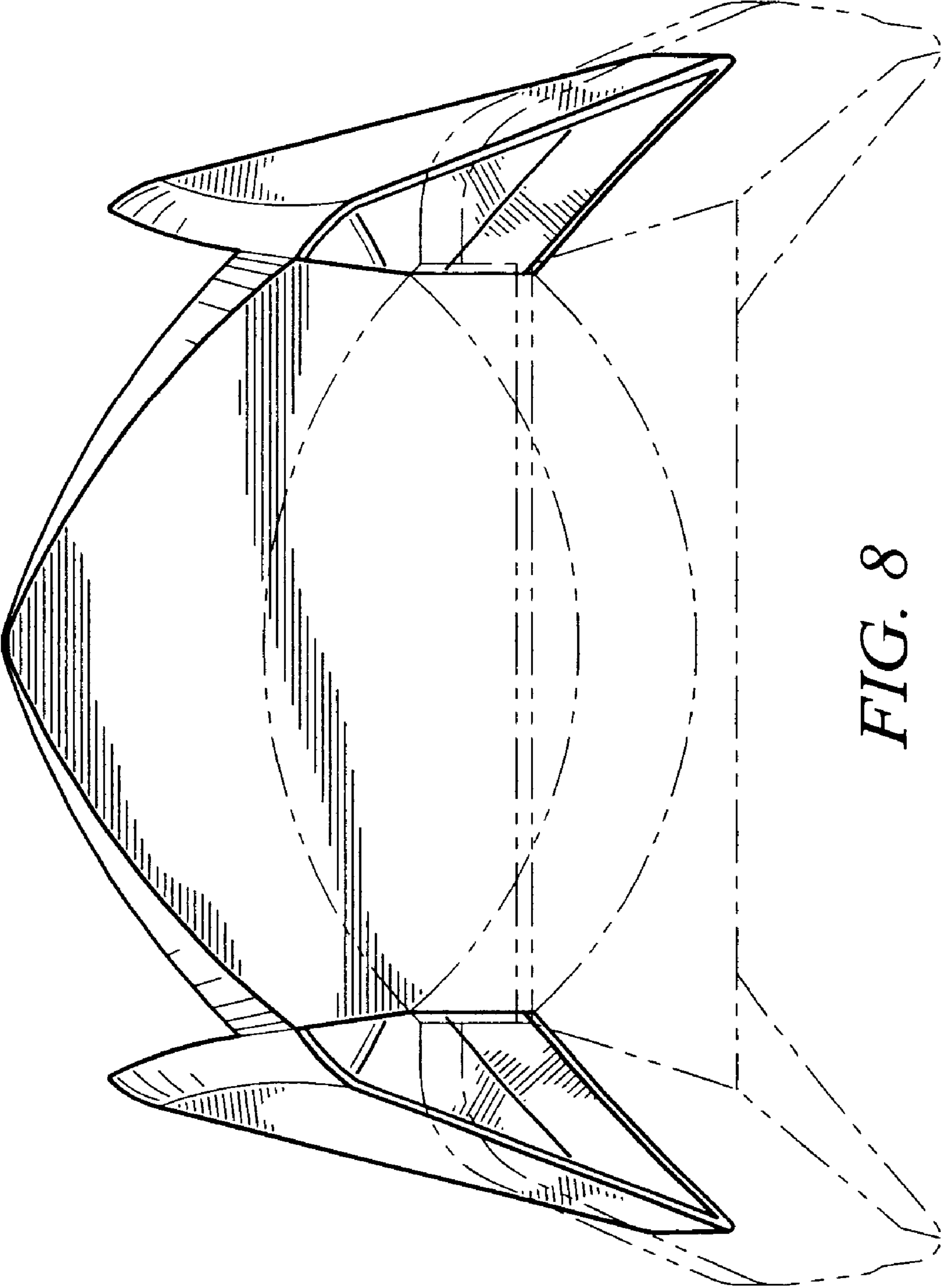


FIG. 8