



US00D523165S

(12) **United States Design Patent**
Schultz

(10) **Patent No.:** **US D523,165 S**

(45) **Date of Patent:** **** Jun. 13, 2006**

(54) **LAMP**

(75) Inventor: **Peter Schultz**, Wermelskirchen (DE)

(73) Assignee: **Setolite-Lichttechnik GmbH**,
Wermelskirchen (DE)

(**) Term: **14 Years**

(21) Appl. No.: **29/186,616**

(22) Filed: **Jul. 18, 2003**

(30) **Foreign Application Priority Data**

Jan. 21, 2003 (DE) 4 03 00 406

(51) **LOC (8) Cl.** **26-03**

(52) **U.S. Cl.** **D26/76; D26/72**

(58) **Field of Classification Search** D26/72,
D26/75-78, 118, 122, 24; 362/605, 147,
362/151, 217-225

See application file for complete search history.

(56) **References Cited**

U.S. PATENT DOCUMENTS

D172,141 S * 5/1954 Guth D26/77

2,694,775 A * 11/1954 Florence 362/222
D177,232 S * 3/1956 Harling D26/24
D300,471 S * 3/1989 Szymanek D26/76

* cited by examiner

Primary Examiner—Clare E Heflin

(74) *Attorney, Agent, or Firm*—Friedrich Kueffner

(57) **CLAIM**

The ornamental design for a lamp, as shown and described.

DESCRIPTION

FIG. 1 is a perspective top view of a lamp showing my new design;

FIG. 2 is a perspective bottom view thereof;

FIG. 3 is a bottom view thereof;

FIG. 4 is a side view thereof;

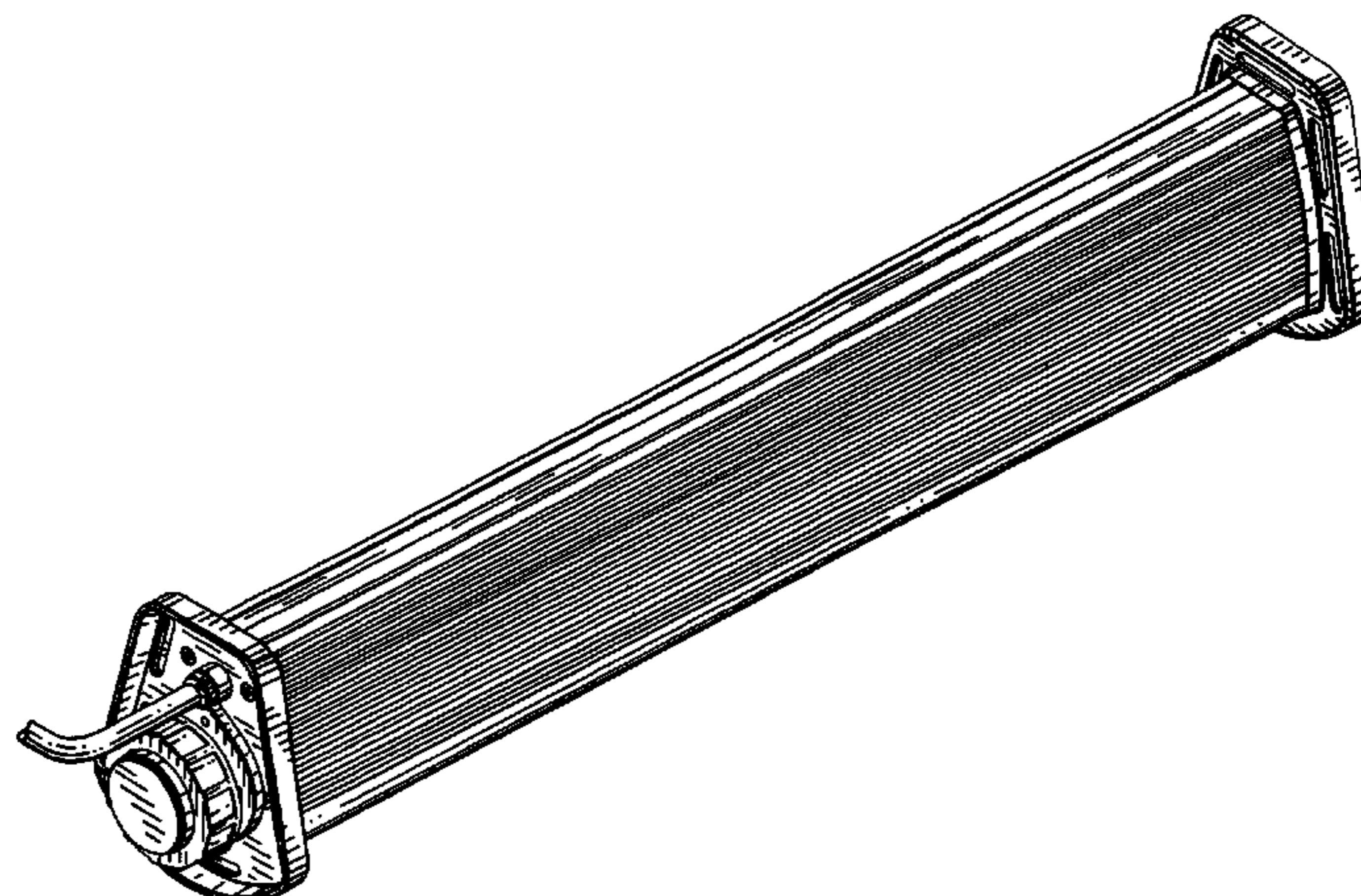
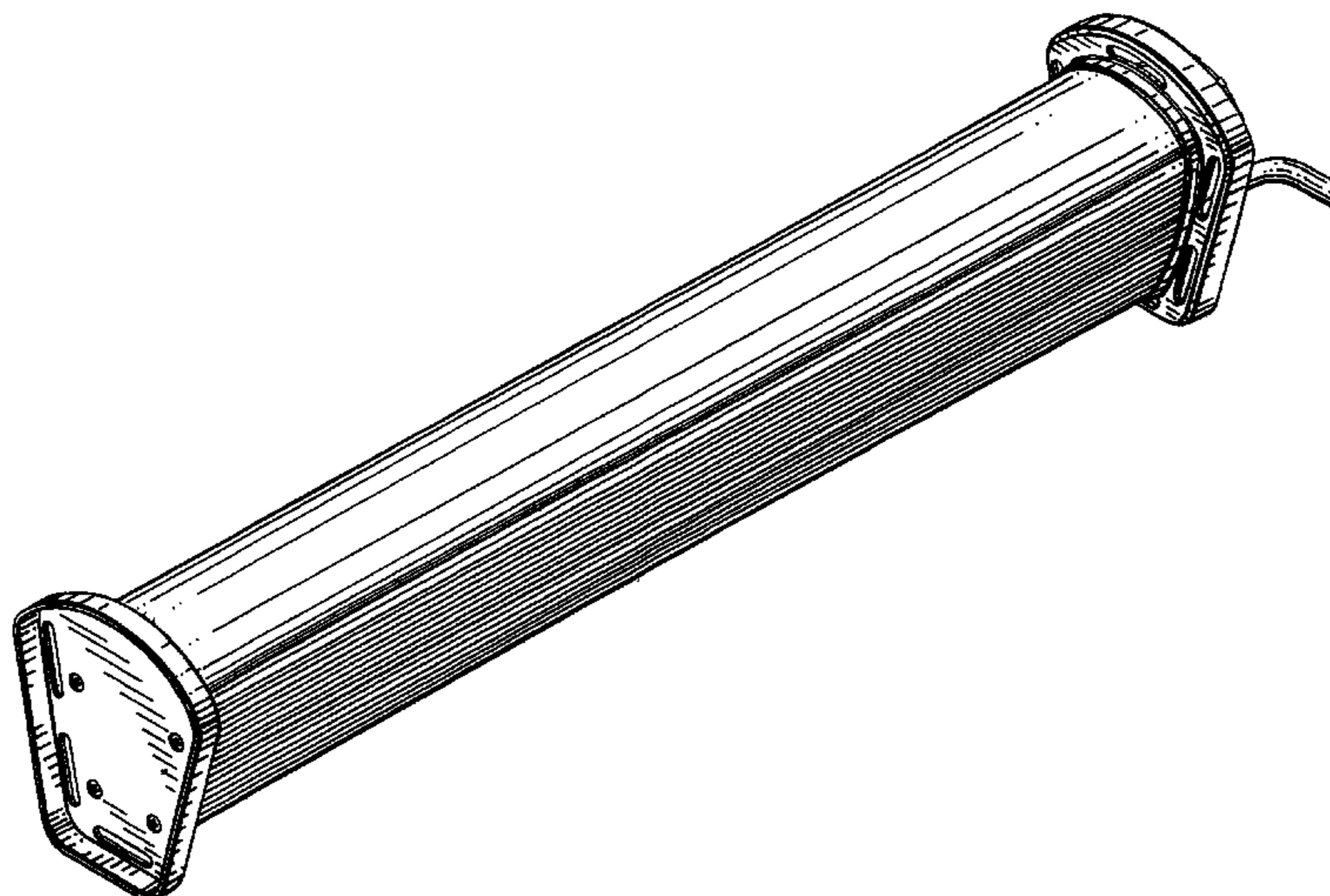
FIG. 5 is a top view thereof;

FIG. 6 is a front view thereof;

FIG. 7 is a rear view thereof; and,

FIG. 8 is another side view thereof.

1 Claim, 3 Drawing Sheets



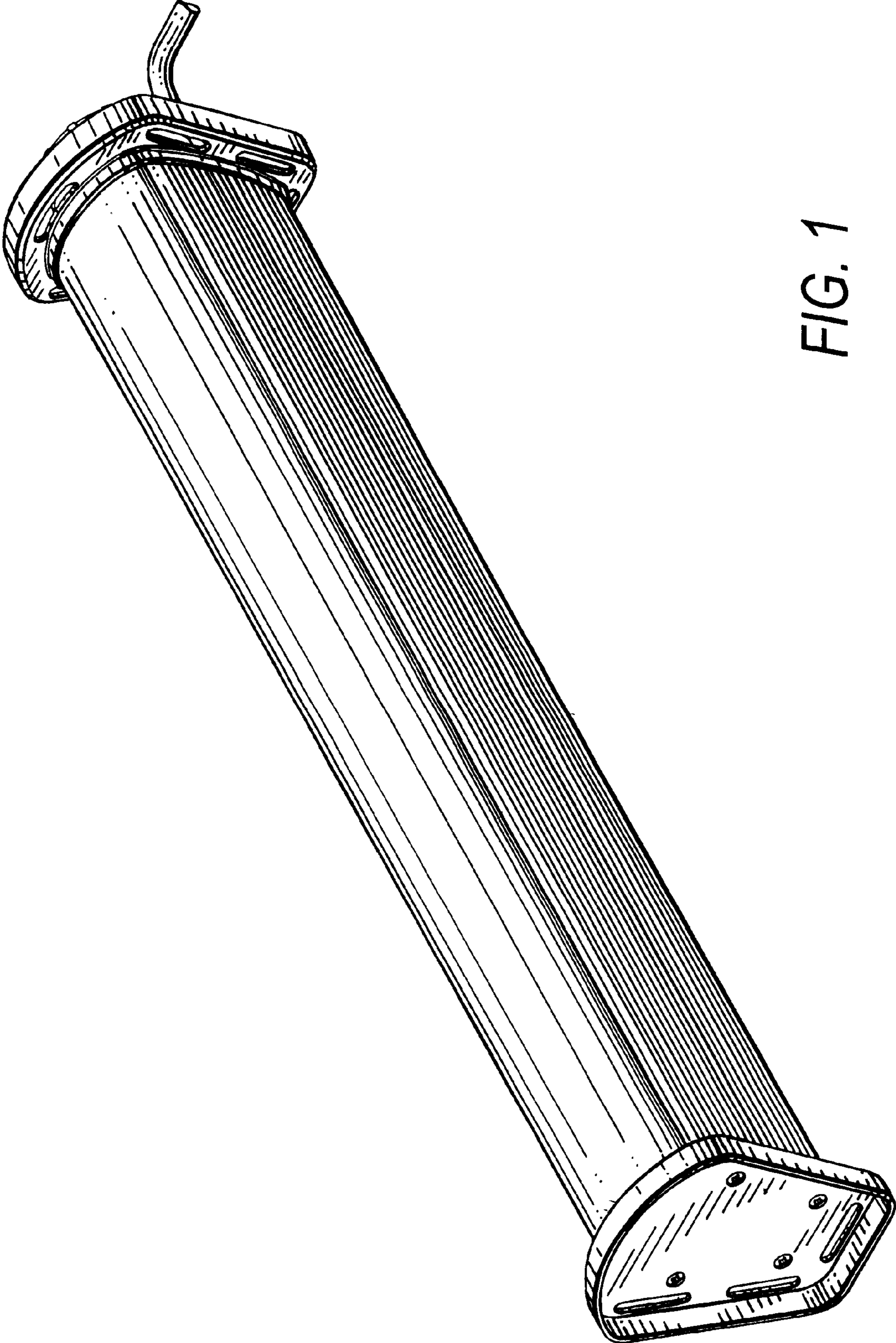


FIG. 1

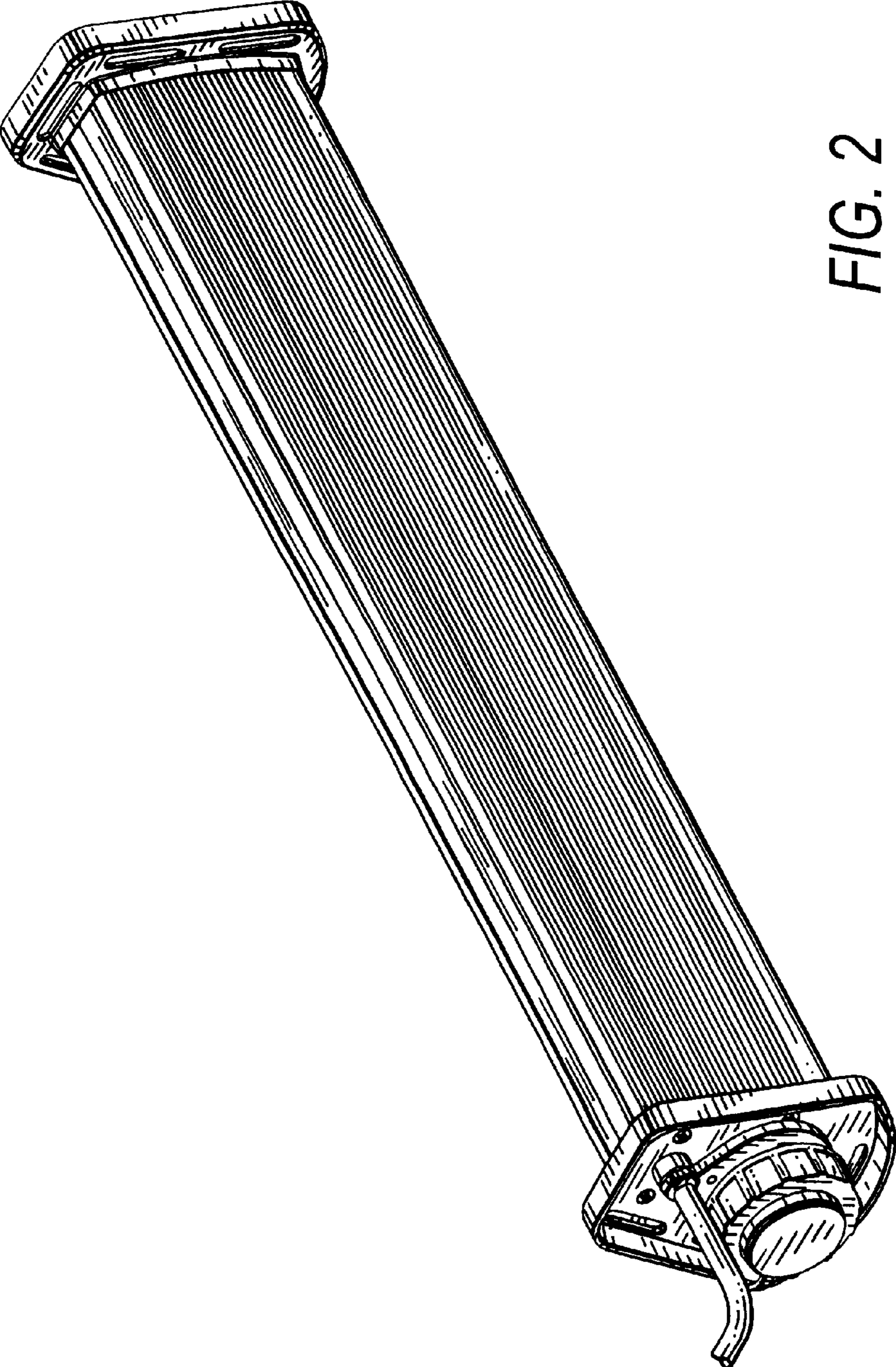


FIG. 2

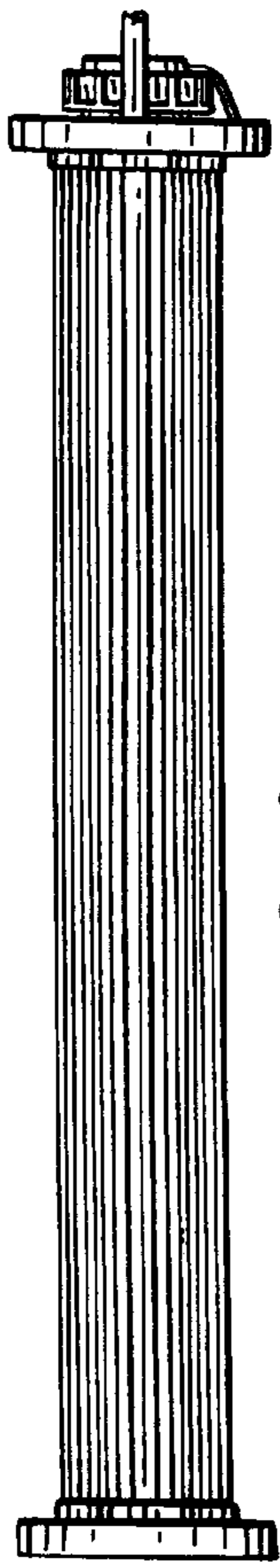


FIG. 3

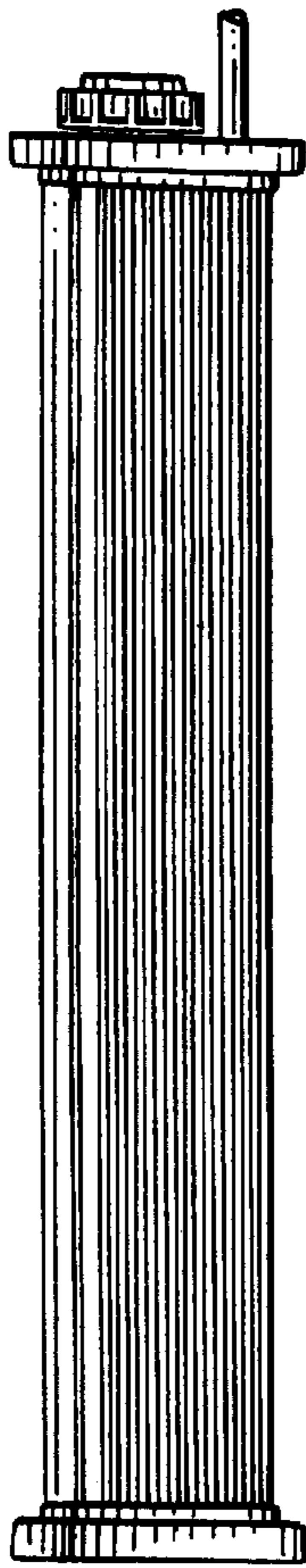


FIG. 4

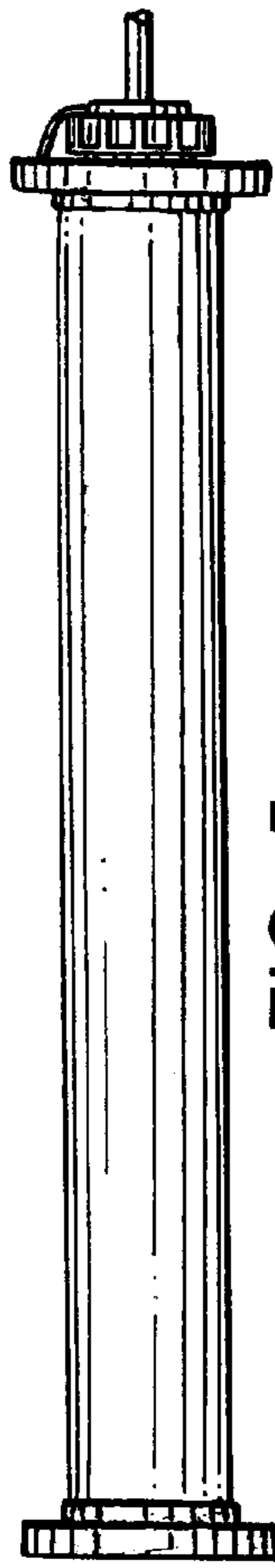


FIG. 5

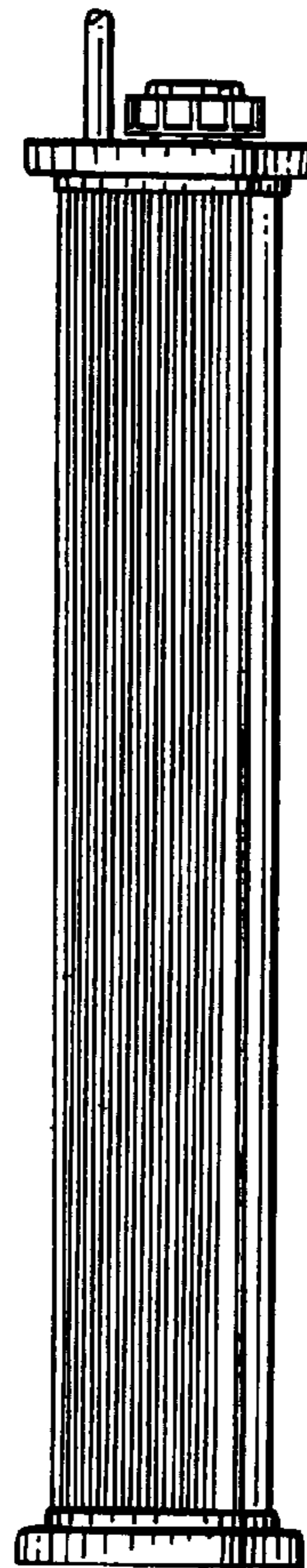


FIG. 8

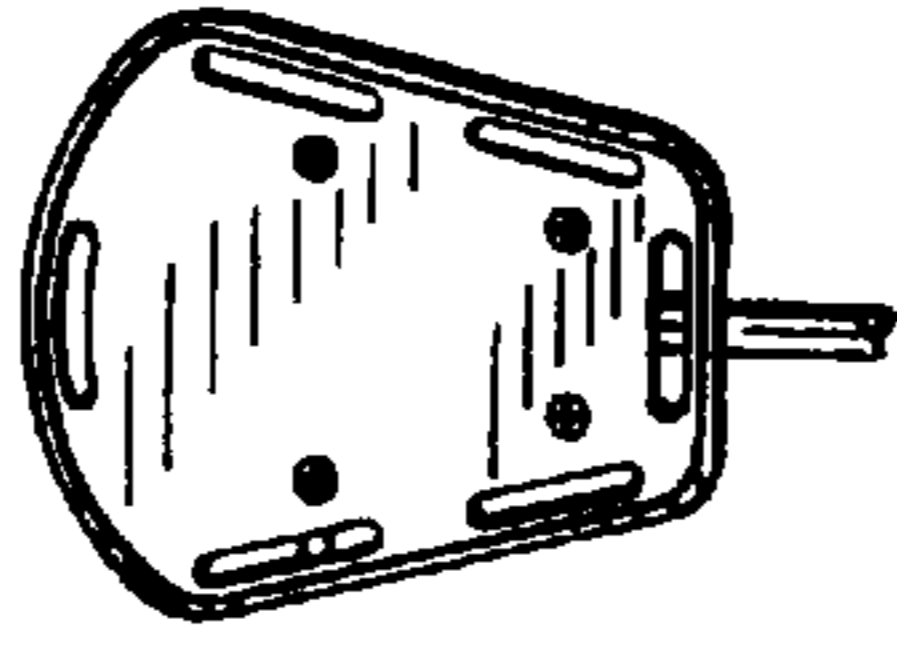


FIG. 7

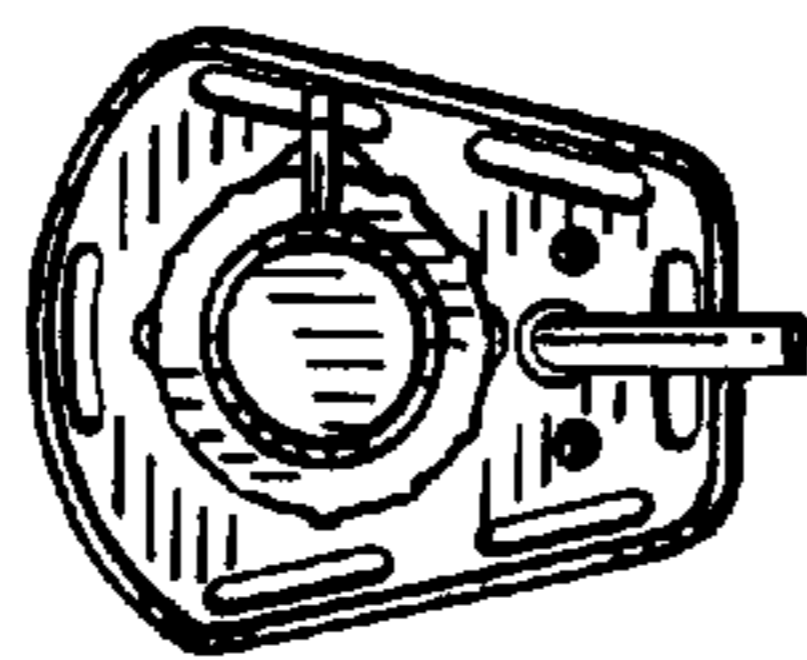


FIG. 6