

US00D523164S

(12) **United States Design Patent**
Ng

(10) **Patent No.:** **US D523,164 S**

(45) **Date of Patent:** **** Jun. 13, 2006**

(54) **SLIM ADJUSTABLE LED LAMP**

(75) Inventor: **Kenneth Yat Chung Ng**, Pasadena, CA (US)

(73) Assignee: **Kenneth Ng**, San Gabriel, CA (US)

(**) Term: **14 Years**

(21) Appl. No.: **29/220,597**

(22) Filed: **Jan. 3, 2005**

(51) **LOC (8) Cl.** **26-05**

(52) **U.S. Cl.** **D26/65**

(58) **Field of Classification Search** D26/60-65,
D26/93, 118, 107, 43, 51, 56; 362/269, 277,
362/278, 282, 285, 287, 288, 410, 413, 418-430,
362/449

See application file for complete search history.

(56) **References Cited**

U.S. PATENT DOCUMENTS

- D122,711 S * 9/1940 May D26/63
- D151,855 S * 11/1948 Nitardy D26/65
- 3,089,028 A * 5/1963 Klampferer D26/63

- D215,479 S * 10/1969 Bobrick D26/65
- D274,473 S * 6/1984 de Boer D26/60
- D332,669 S * 1/1993 Frost et al. D26/63
- D423,130 S * 4/2000 Kung D26/60
- D495,082 S * 8/2004 Marchand D26/65
- D510,451 S * 10/2005 Marchand D26/65

* cited by examiner

Primary Examiner—Clare E Heflin

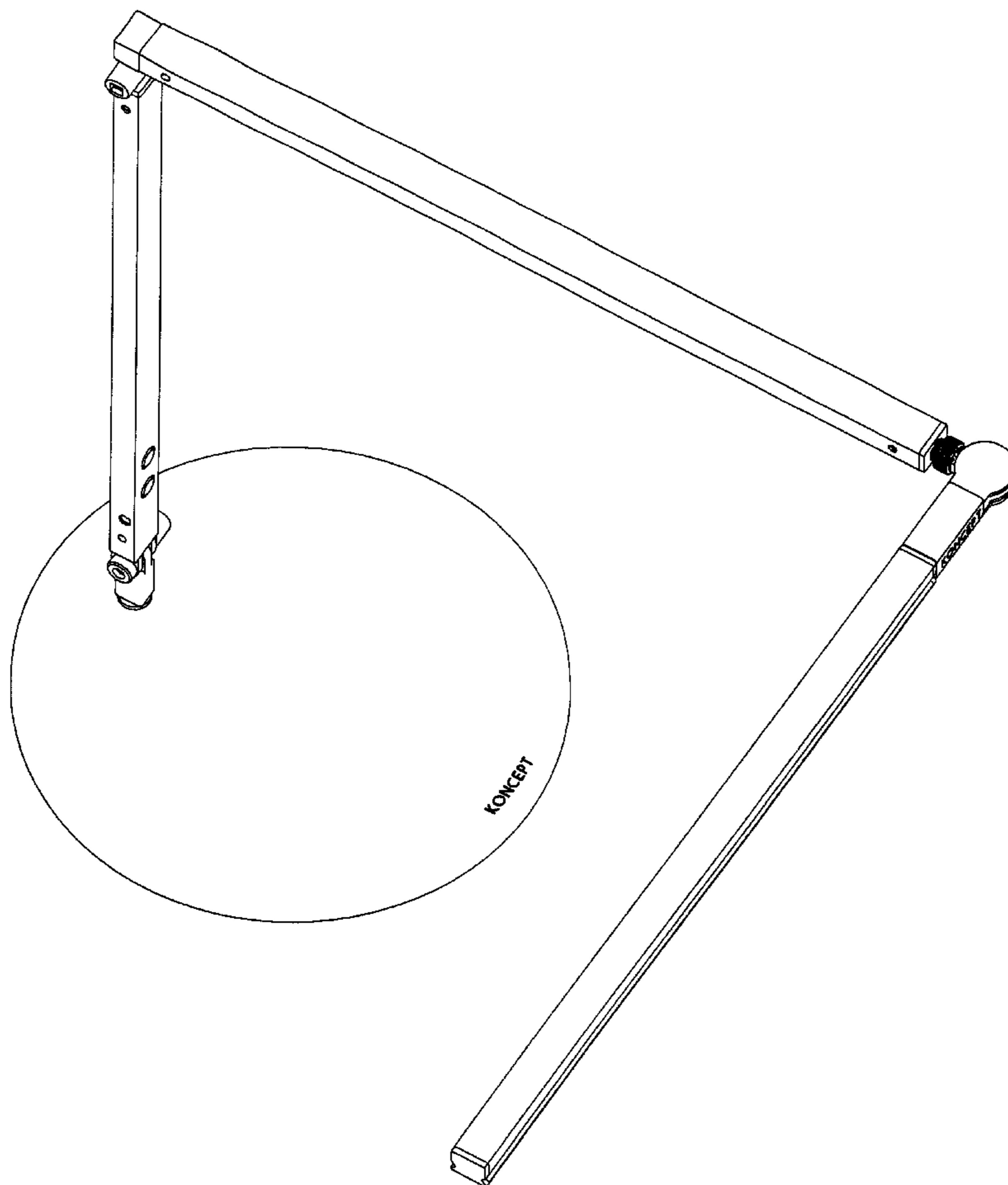
(57) **CLAIM**

The ornamental design for a slim adjustable LED lamp, as shown.

DESCRIPTION

FIG. 1 is a front elevational view of a slim adjustable LED lamp showing my new design;
 FIG. 2 is a rear elevational view thereof;
 FIG. 3 is a left side elevational view thereof;
 FIG. 4 is a right side elevational view thereof;
 FIG. 5 is a top plan view thereof;
 FIG. 6 is a perspective view thereof; and,
 FIG. 7 is a perspective view thereof with adjusted position.

1 Claim, 7 Drawing Sheets



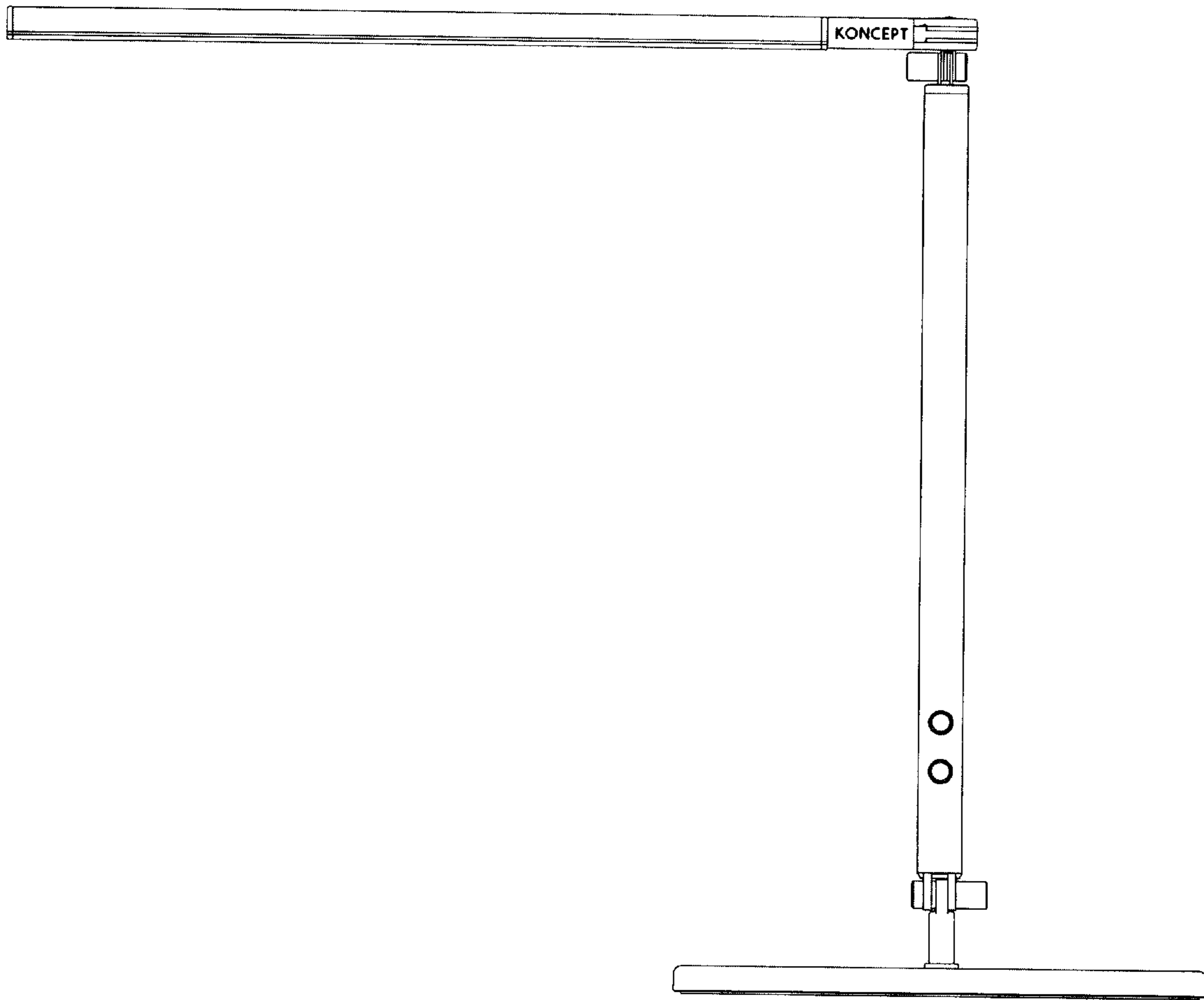


Fig. 1

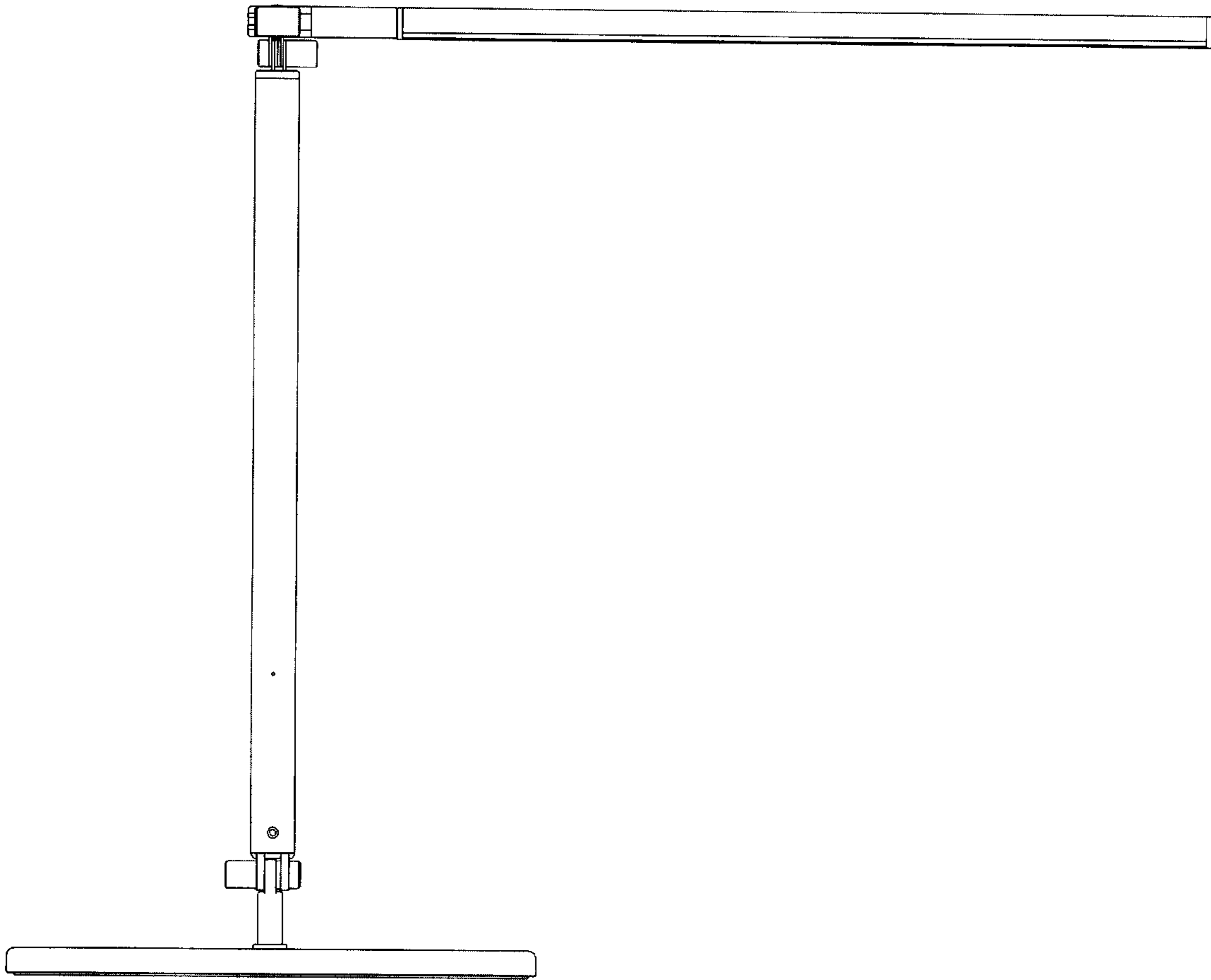


Fig. 2

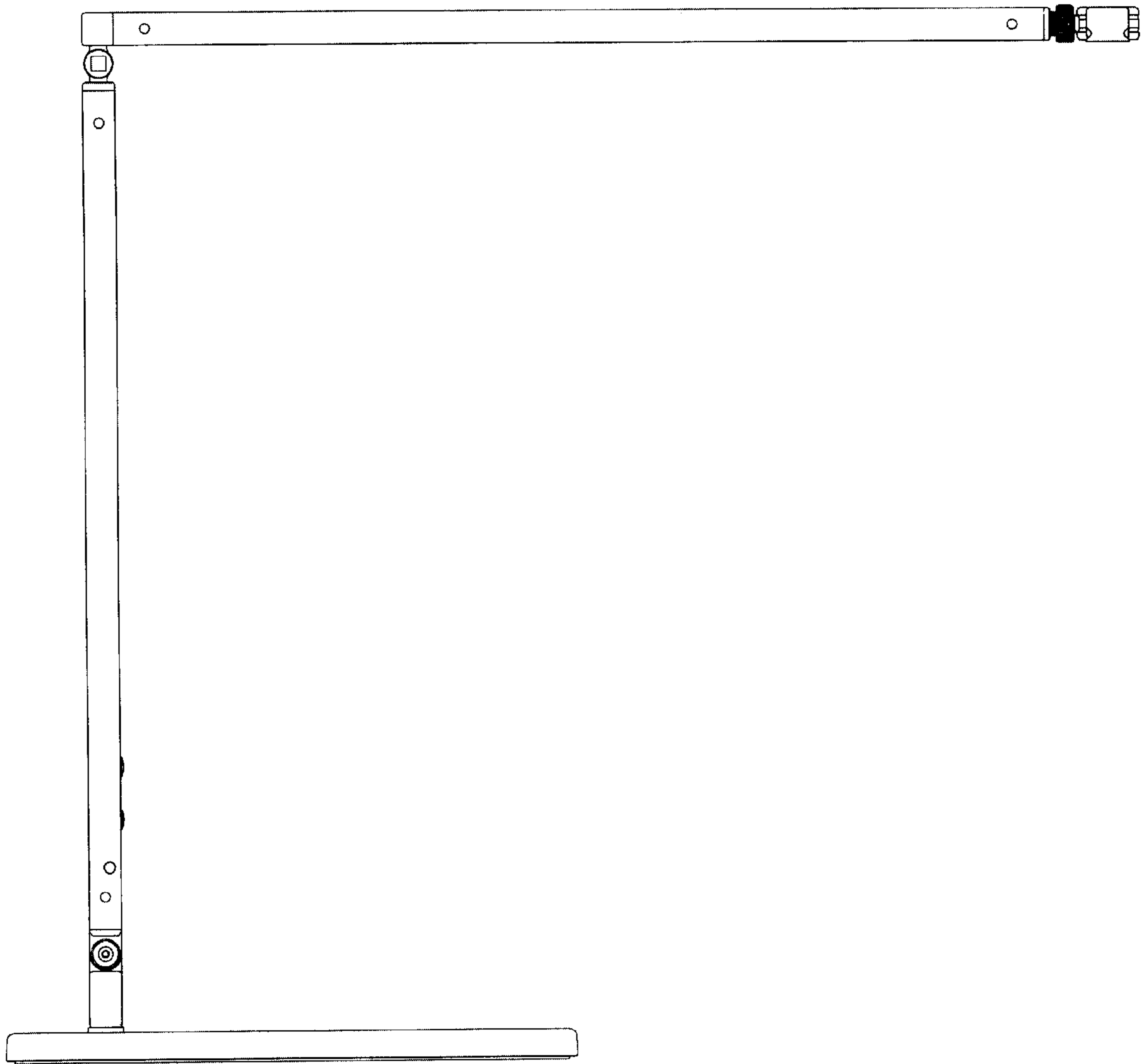


Fig. 3

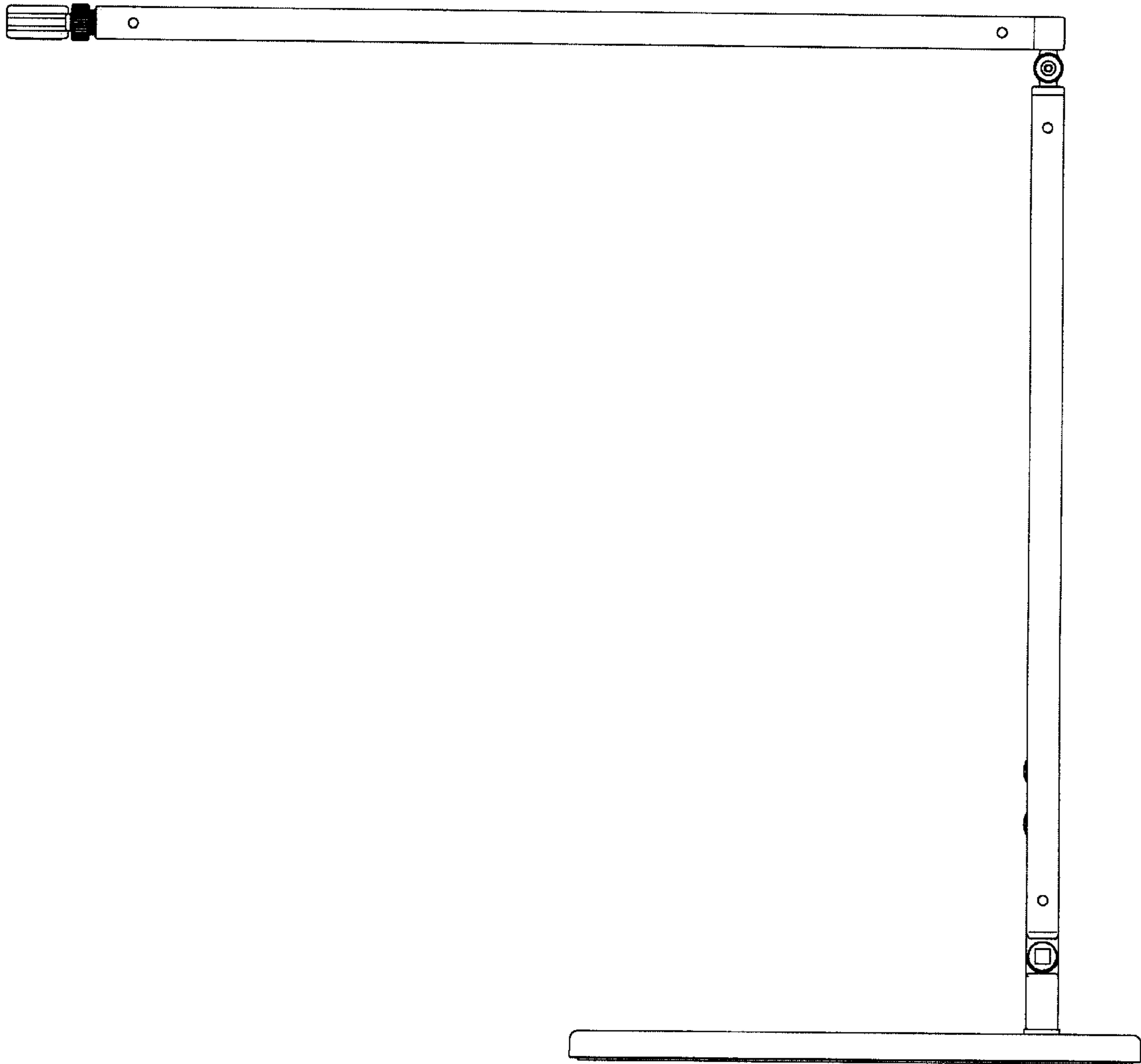


Fig. 4

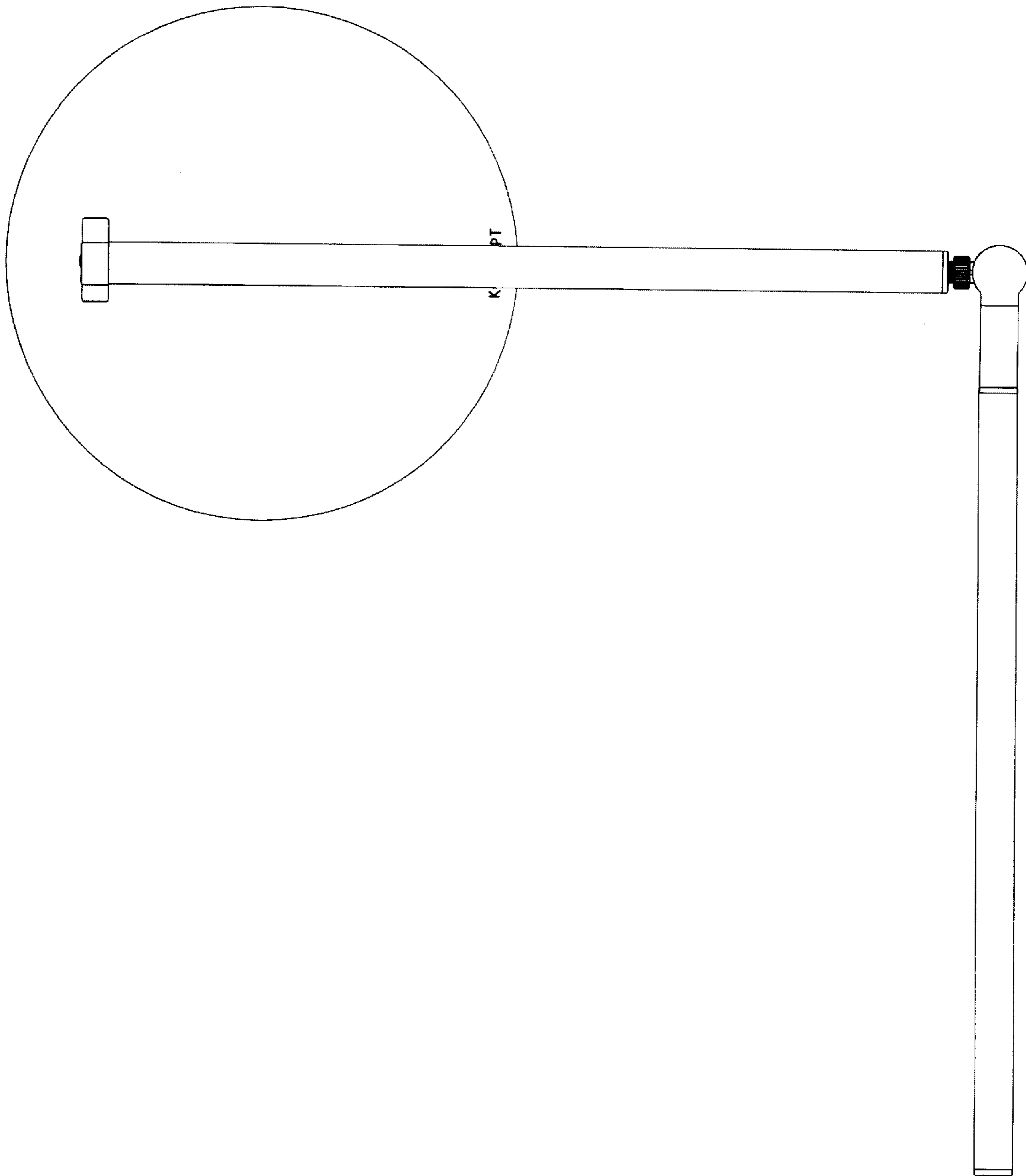


Fig. 5

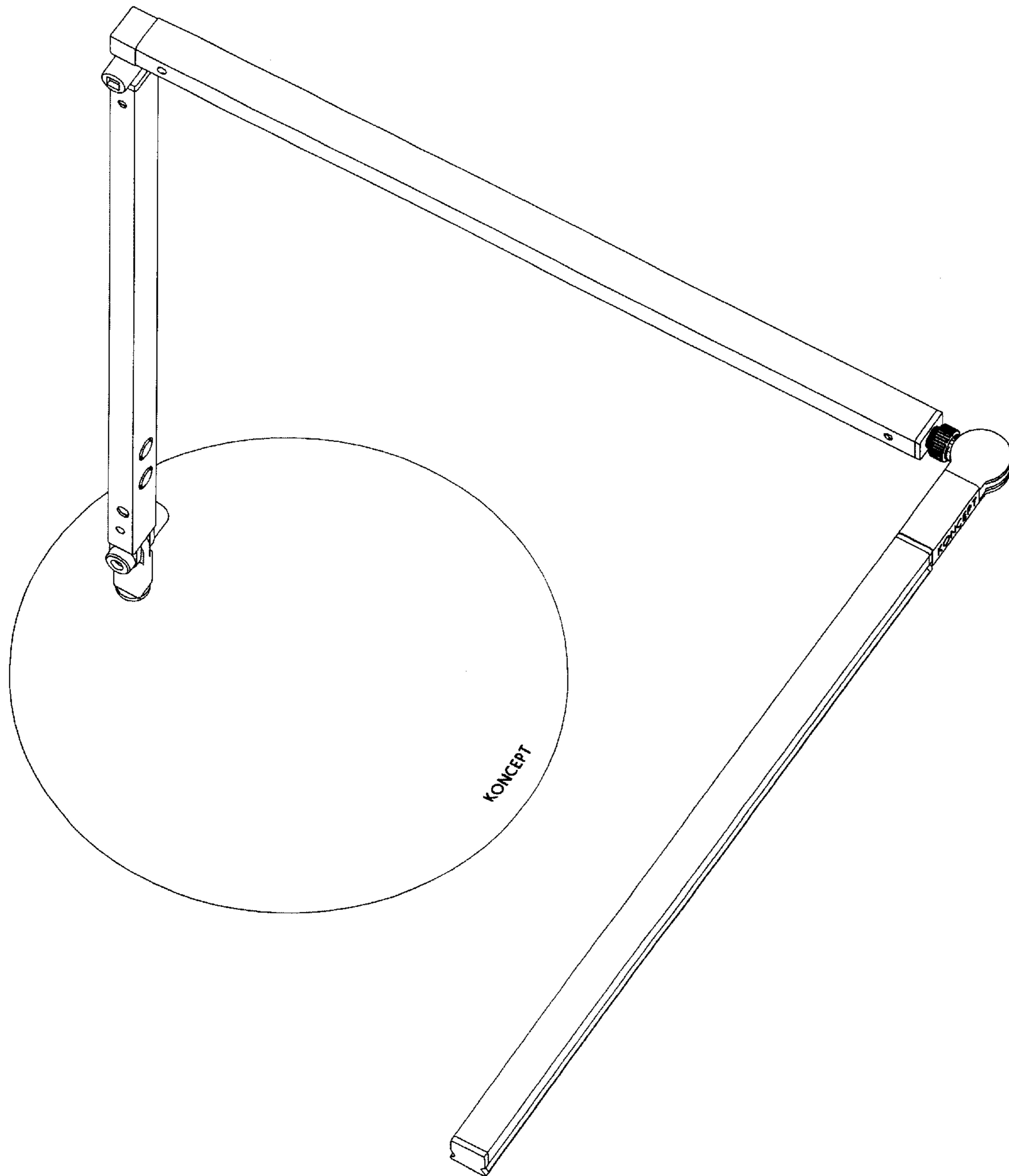


Fig. 6

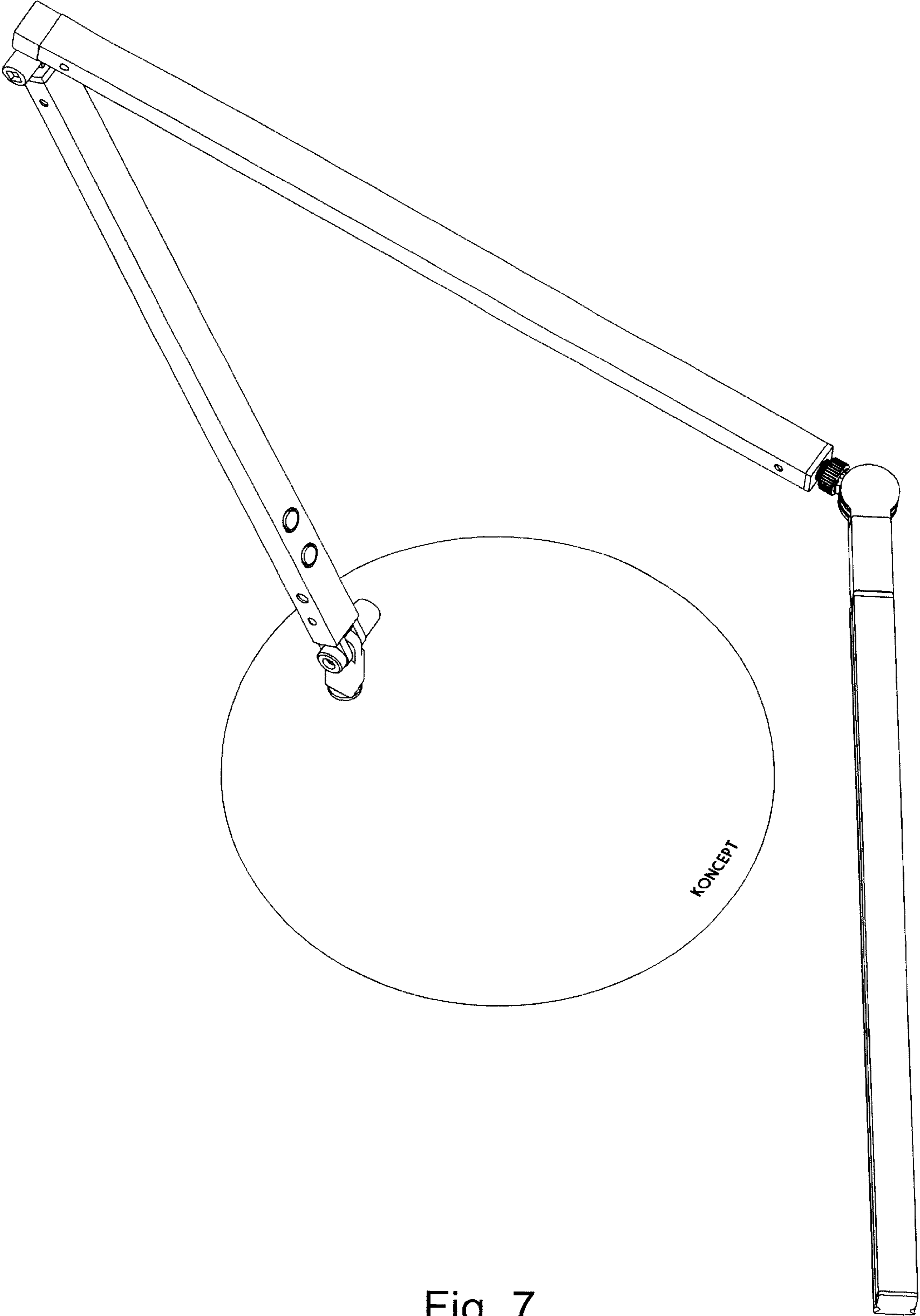


Fig. 7

UNITED STATES PATENT AND TRADEMARK OFFICE
Certificate

Patent No. D. 523,164 S

Patented: June 13, 2006

On petition requesting issuance of a certificate for correction of inventorship pursuant to 35 U.S.C. 256, it has been found that the above identified patent, through error and without any deceptive intent, improperly sets forth the inventorship.

Accordingly, it is hereby certified that the correct inventorship of this patent is: Peter Ng, Hong Kong (CN).

Signed and Sealed this Twenty-second Day of November 2011.

CATHRON C. BROOKS
Supervisory Patent Examiner
Art Unit 2911
Technology Center 2900