



US00D523161S

(12) **United States Design Patent**
Hussaini et al.

(10) **Patent No.:** **US D523,161 S**
(45) **Date of Patent:** **** Jun. 13, 2006**

(54) **RECHARGEABLE FLASHLIGHT**

D504,968 S * 5/2005 Bayat et al. D26/42

(75) Inventors: **Saied Hussaini**, Miami, FL (US); **Marc Iacovelli**, Miami, FL (US)

* cited by examiner

Primary Examiner—Marcus A. Jackson

(73) Assignee: **Rally Manufacturing, Inc.**, Miami, FL (US)

(74) *Attorney, Agent, or Firm*—Berenato, White & Stavish

(**) Term: **14 Years**

(57) **CLAIM**

The ornamental design for a rechargeable flashlight, as shown and described.

(21) Appl. No.: **29/229,324**

DESCRIPTION

(22) Filed: **May 6, 2005**

(51) **LOC (8) Cl.** **26-02**

FIG. 1 is a front, top and left perspective view of the rechargeable flashlight according to the present invention.

FIG. 2 is a front view of the rechargeable flashlight of FIG. 1.

(52) **U.S. Cl.** **D26/42**

FIG. 3 is a rear view of the rechargeable flashlight of FIG. 1.

(58) **Field of Classification Search** D26/37-50;
362/157, 158, 171-174, 183-208
See application file for complete search history.

FIG. 4 is a left side view of the rechargeable flashlight of FIG. 1.

FIG. 5 is a right view of the rechargeable flashlight of FIG. 1.

(56) **References Cited**

U.S. PATENT DOCUMENTS

- D409,776 S * 5/1999 Ghode et al. D26/42
- D414,576 S * 9/1999 Yuen D26/42
- D486,257 S * 2/2004 Kingston et al. D26/42

FIG. 6 is a top view of the rechargeable flashlight of FIG. 1; and,

FIG. 7 is a bottom view of the rechargeable flashlight of FIG. 1.

1 Claim, 7 Drawing Sheets

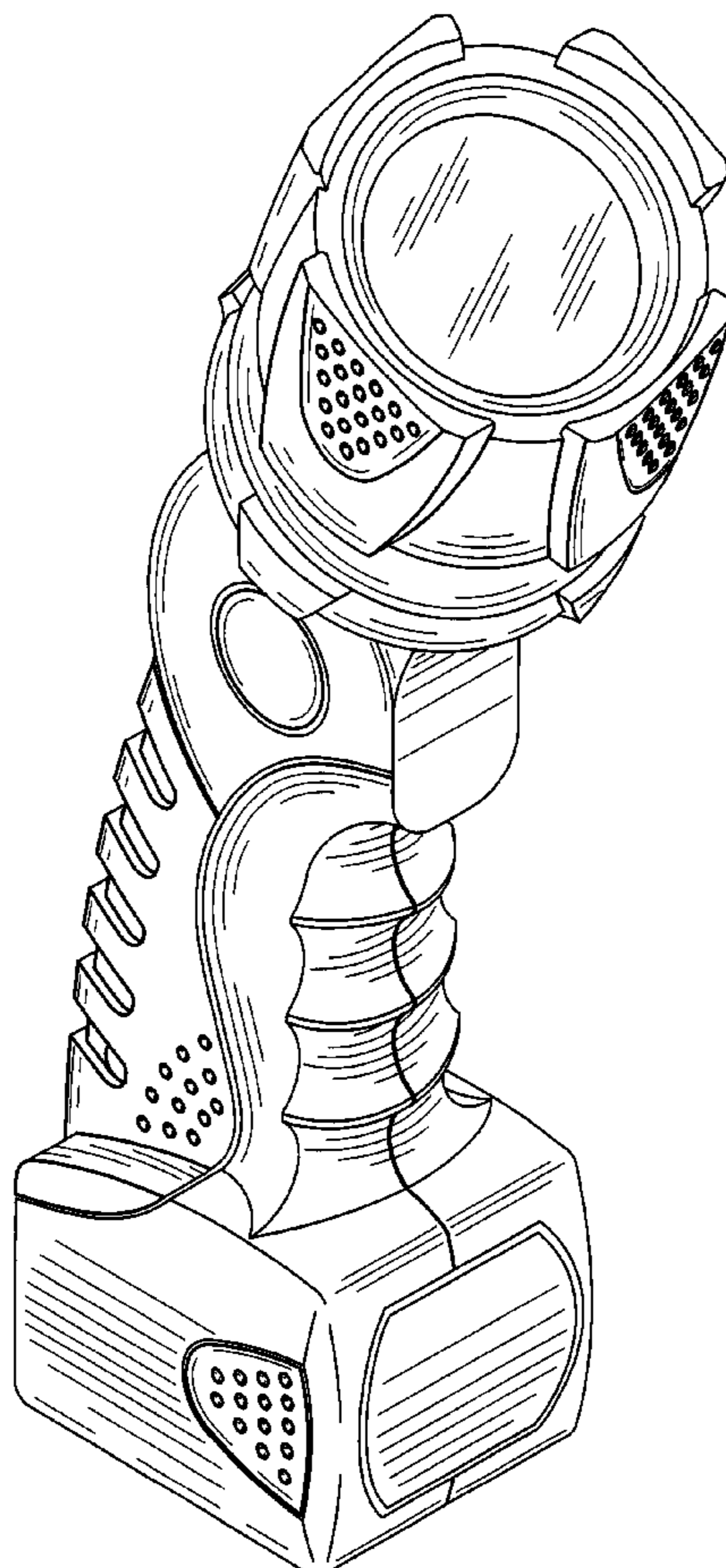


Fig. 1

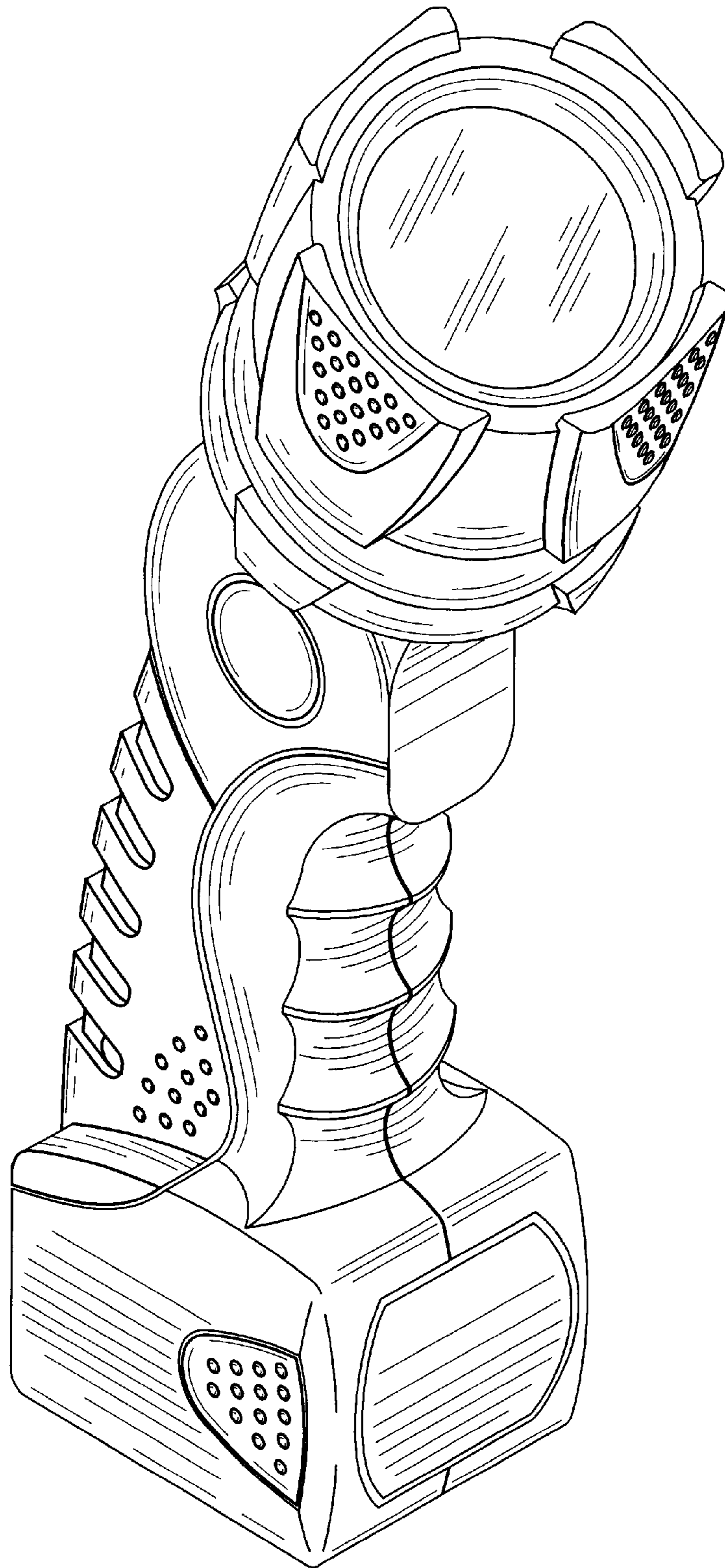


Fig. 2

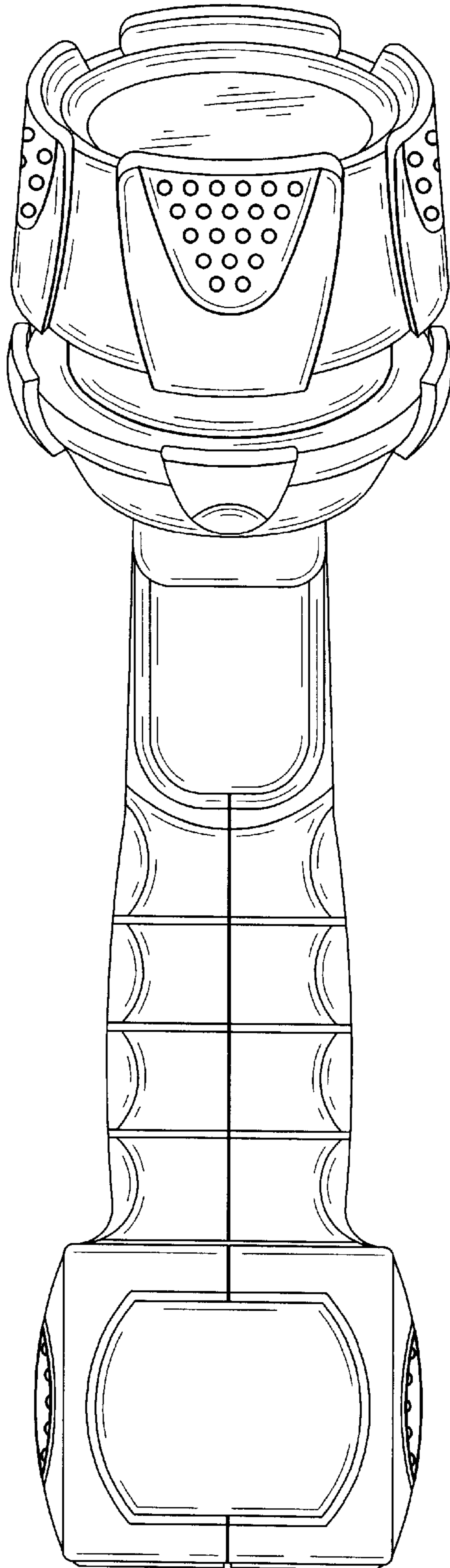


Fig. 3

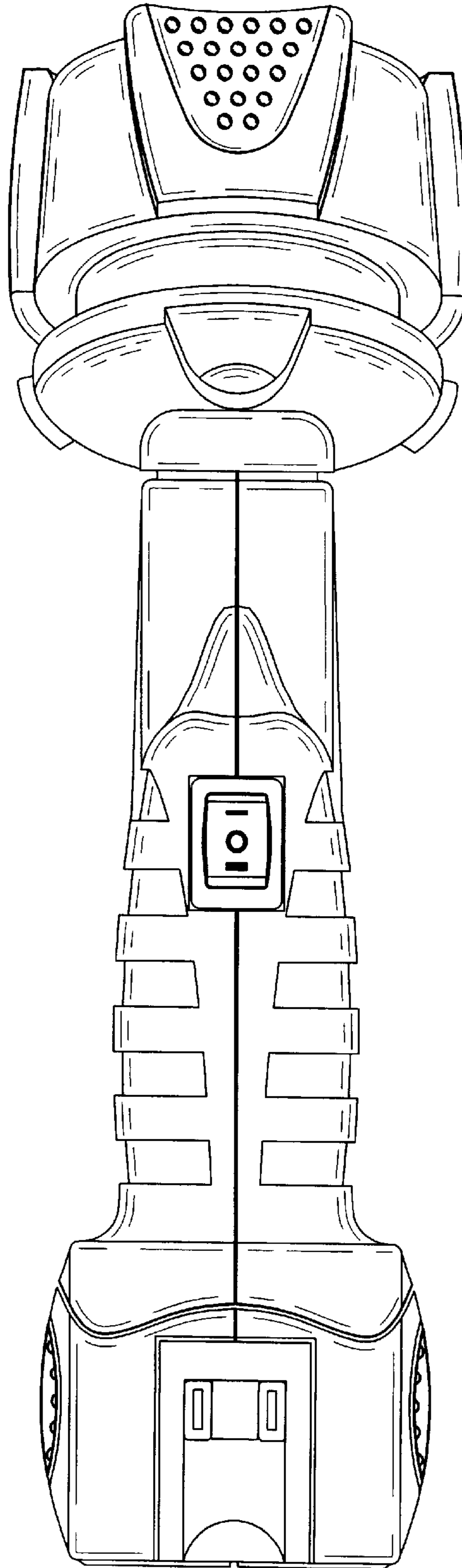


Fig. 4

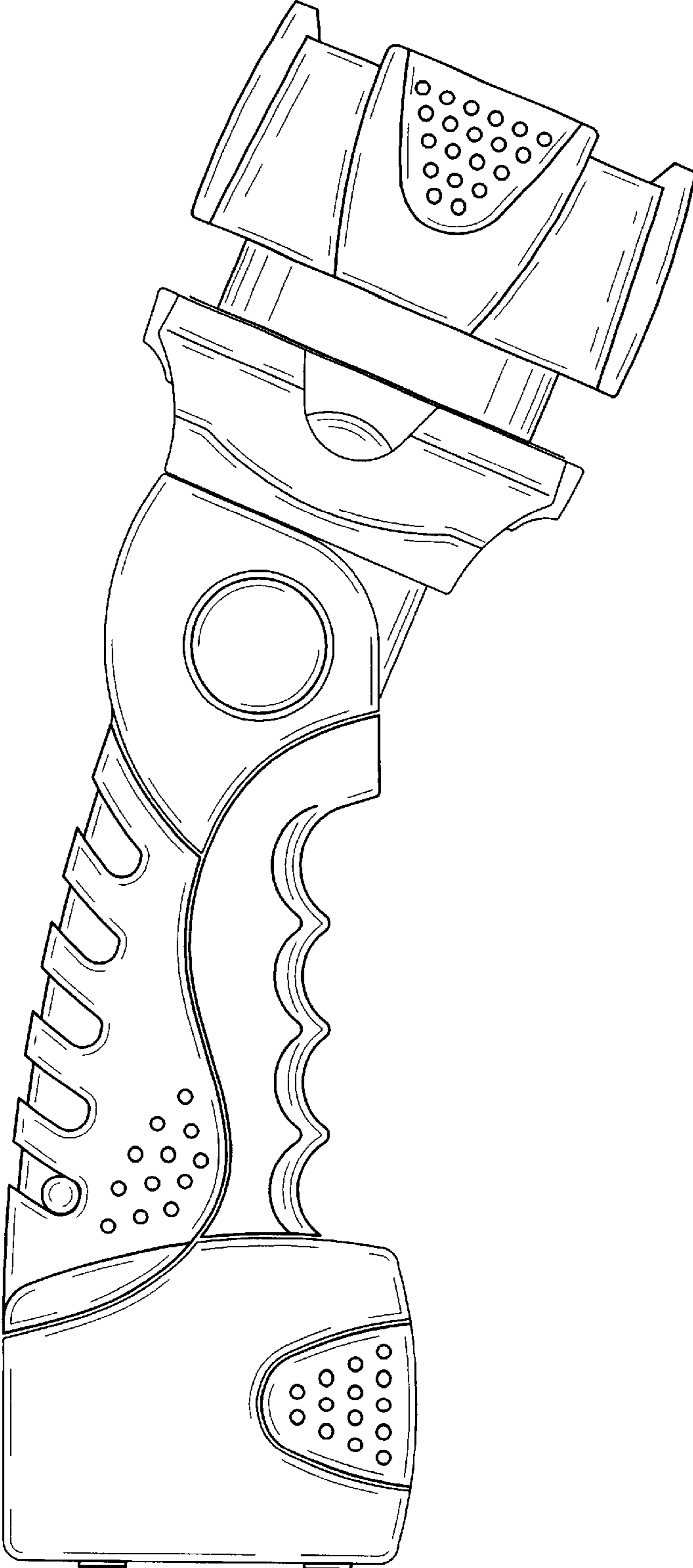


Fig. 5

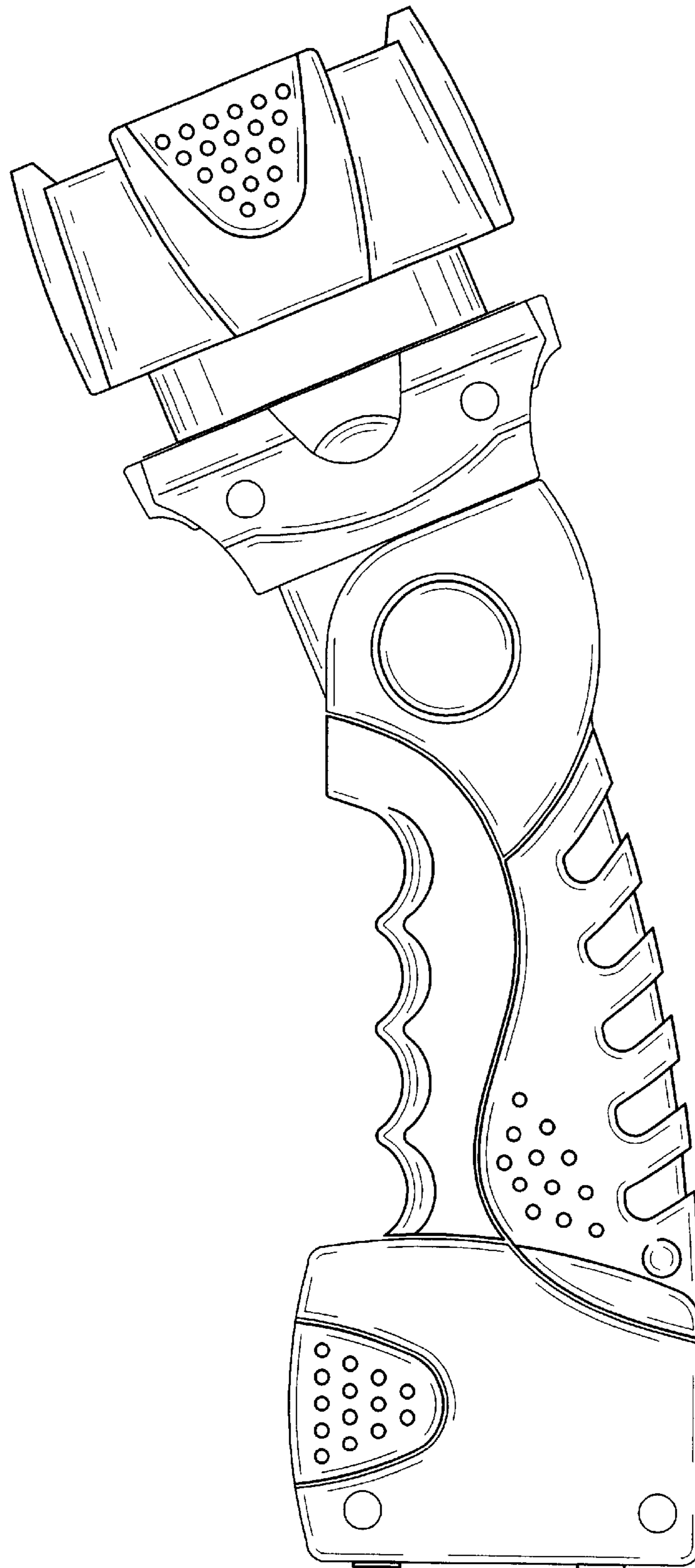


Fig. 6

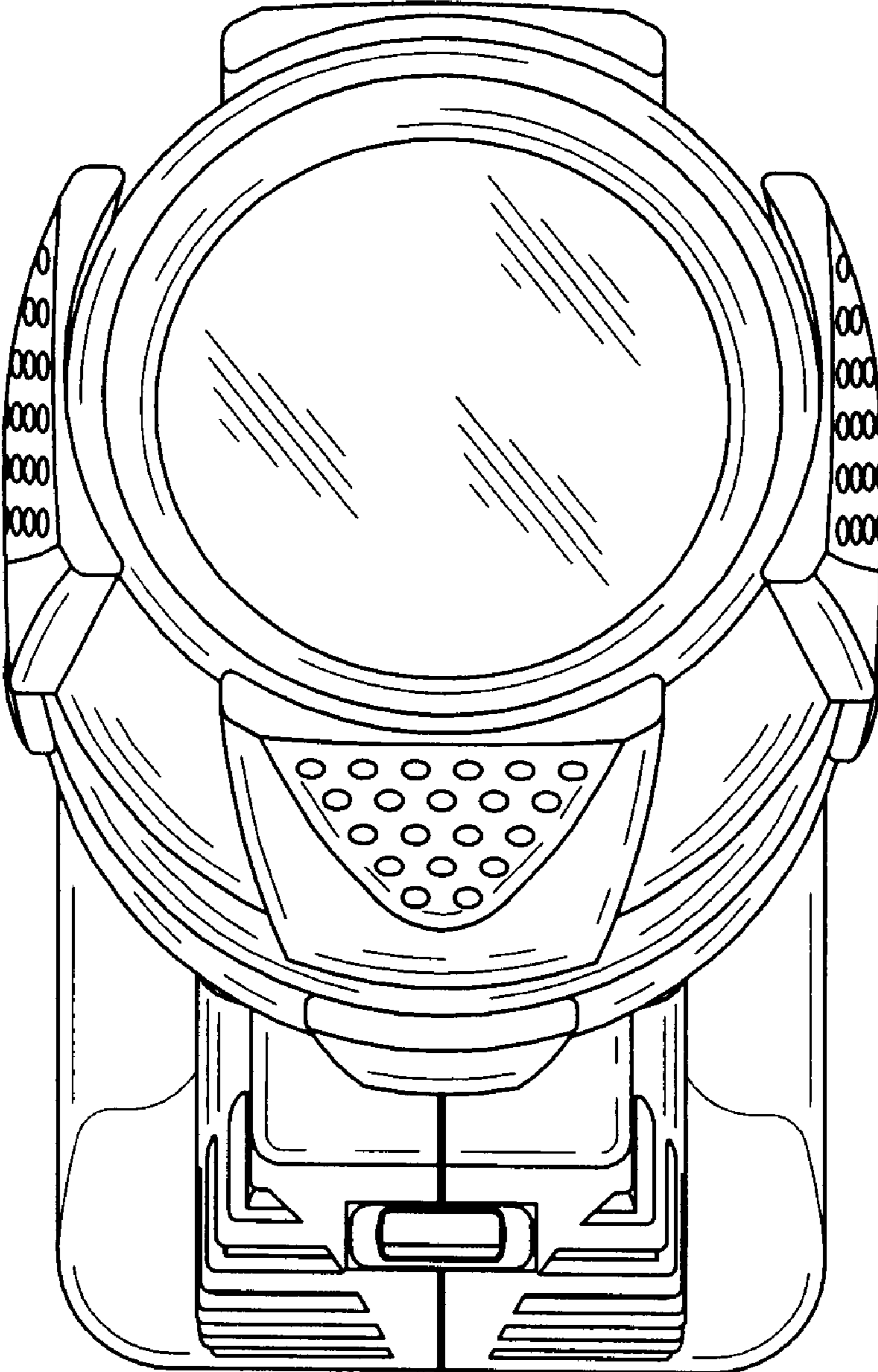


Fig. 7

