

US00D523159S

(12) **United States Design Patent** (10) **Patent No.:** **US D523,159 S**
Tada (45) **Date of Patent:** **** Jun. 13, 2006**

(54) **REAR COMBINATION LAMP FOR AUTOMOBILE**

(75) Inventor: **Hiroyuki Tada**, Aichi-ken (JP)

(73) Assignee: **Toyota Jidosha Kabushiki Kaisha**, Aichi-ken (JP)

(**) Term: **14 Years**

(21) Appl. No.: **29/224,206**

(22) Filed: **Feb. 25, 2005**

(51) **LOC (8) Cl.** **26-06**

(52) **U.S. Cl.** **D26/28**

(58) **Field of Classification Search** D26/28-36;
362/459-468, 475-478, 485, 487
See application file for complete search history.

(56) **References Cited**

U.S. PATENT DOCUMENTS

| | | | | | |
|------------|---|--------|-----------|-------|--------|
| D486,594 S | * | 2/2004 | Kuo | | D26/28 |
| D496,477 S | * | 9/2004 | Hagino | | D26/28 |
| D502,779 S | * | 3/2005 | Kikuchi | | D26/28 |
| D505,214 S | * | 5/2005 | Yamagishi | | D26/28 |

OTHER PUBLICATIONS

Imported Cars Guide Book, ALFA 156, Oct. 29, 2002, p. 45, Mfg. FIAT.

Motor Fan, Additional Volume—All Motor Show, LEXUS GS 430, Nov. 19, 2004, p. 42, Mfg. Toyota Jidosha Kabushiki Kaisha.

* cited by examiner

Primary Examiner—Marcus A. Jackson

(74) *Attorney, Agent, or Firm*—Finnegan, Henderson, Farabow, Garrett & Dunner, L.L.P.

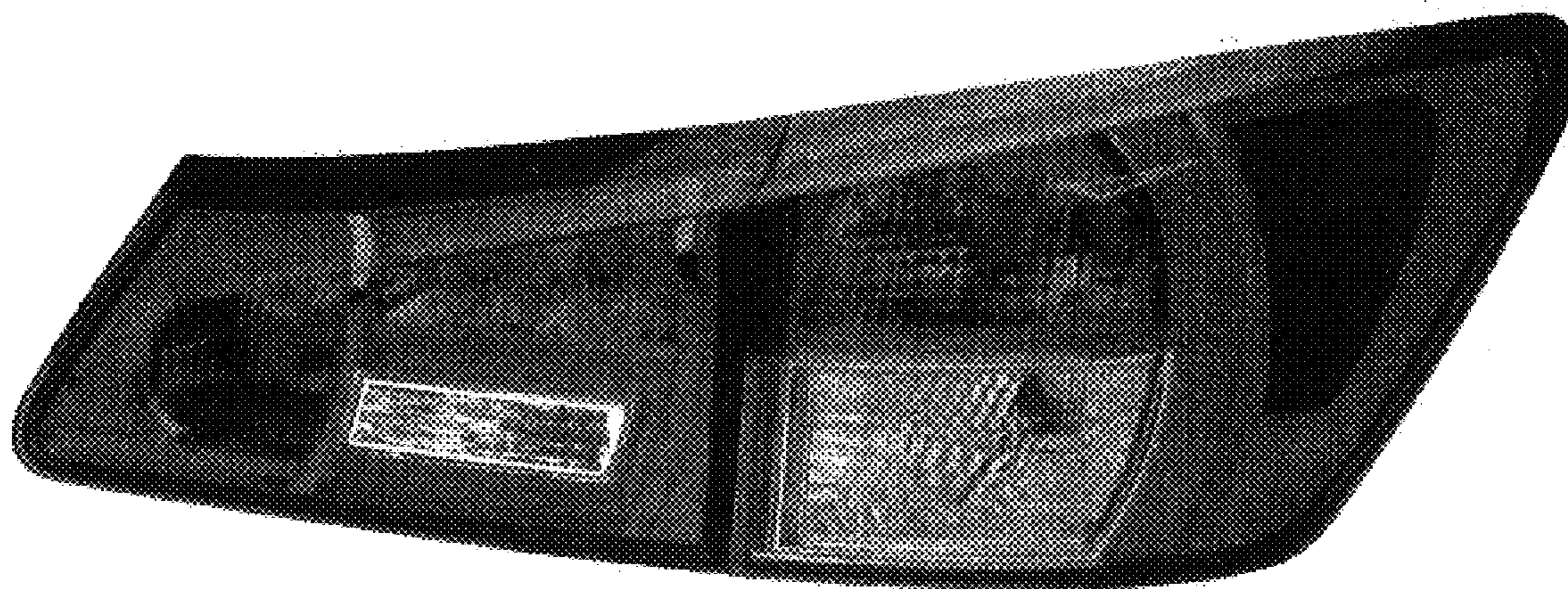
(57) **CLAIM**

The ornamental design for a rear combination lamp for automobile, as shown and described.

DESCRIPTION

FIG. 1 is a left-front, perspective view of a rear combination lamp for automobile of my new design;
FIG. 2 is a front view of my new design;
FIG. 3 is a rear view of my new design;
FIG. 4 is a top view of my new design;
FIG. 5 is a bottom view of my new design;
FIG. 6 is a left-side view of my new design; and,
FIG. 7 is a right-side view of my new design.
My design includes the mirror image of the embodiment depicted.

1 Claim, 7 Drawing Sheets



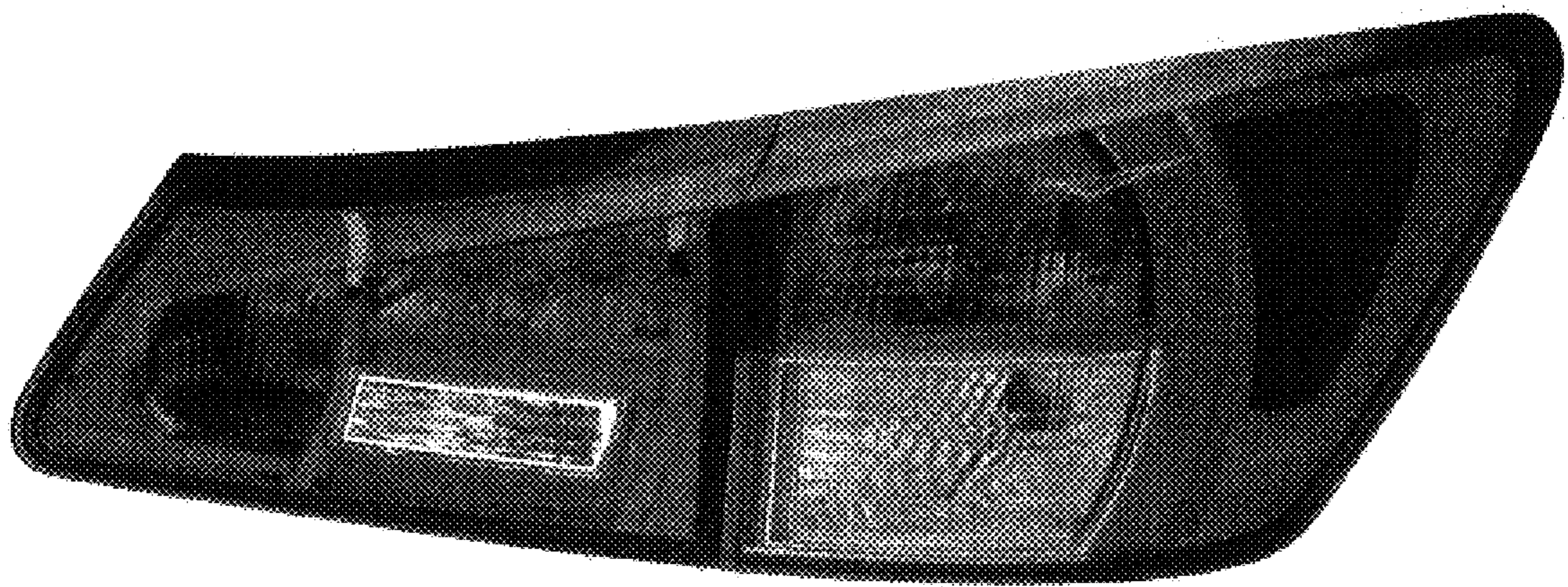


FIG. 1

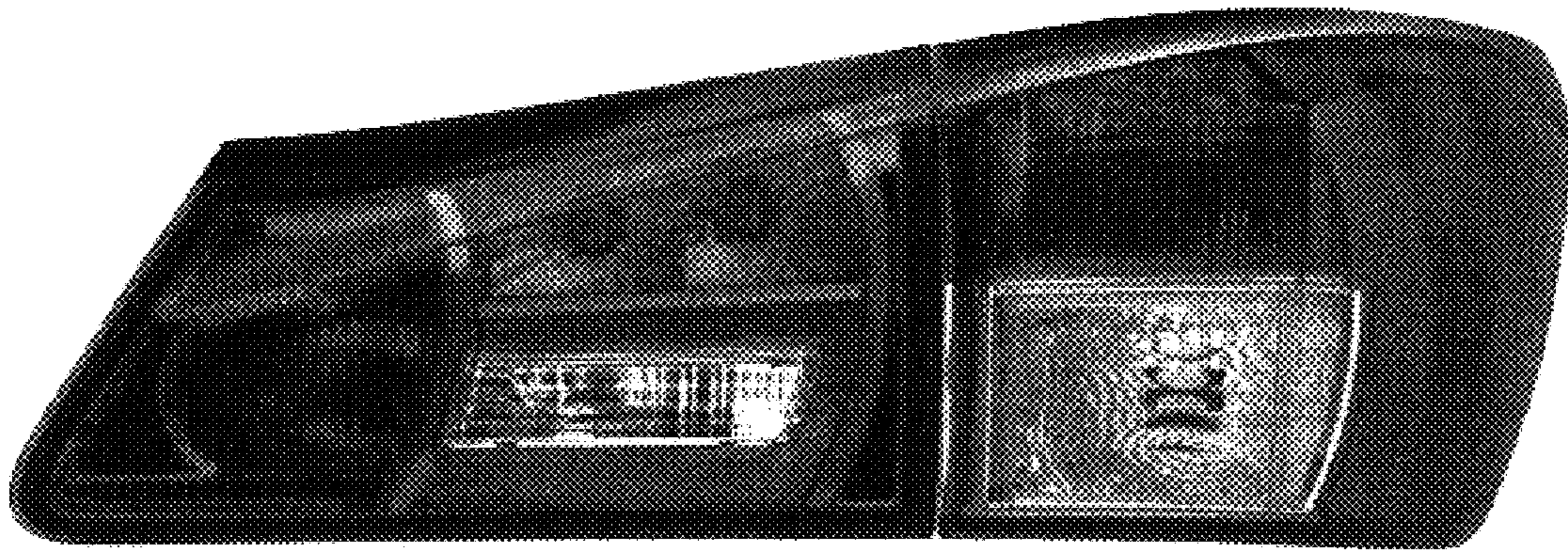


FIG. 2

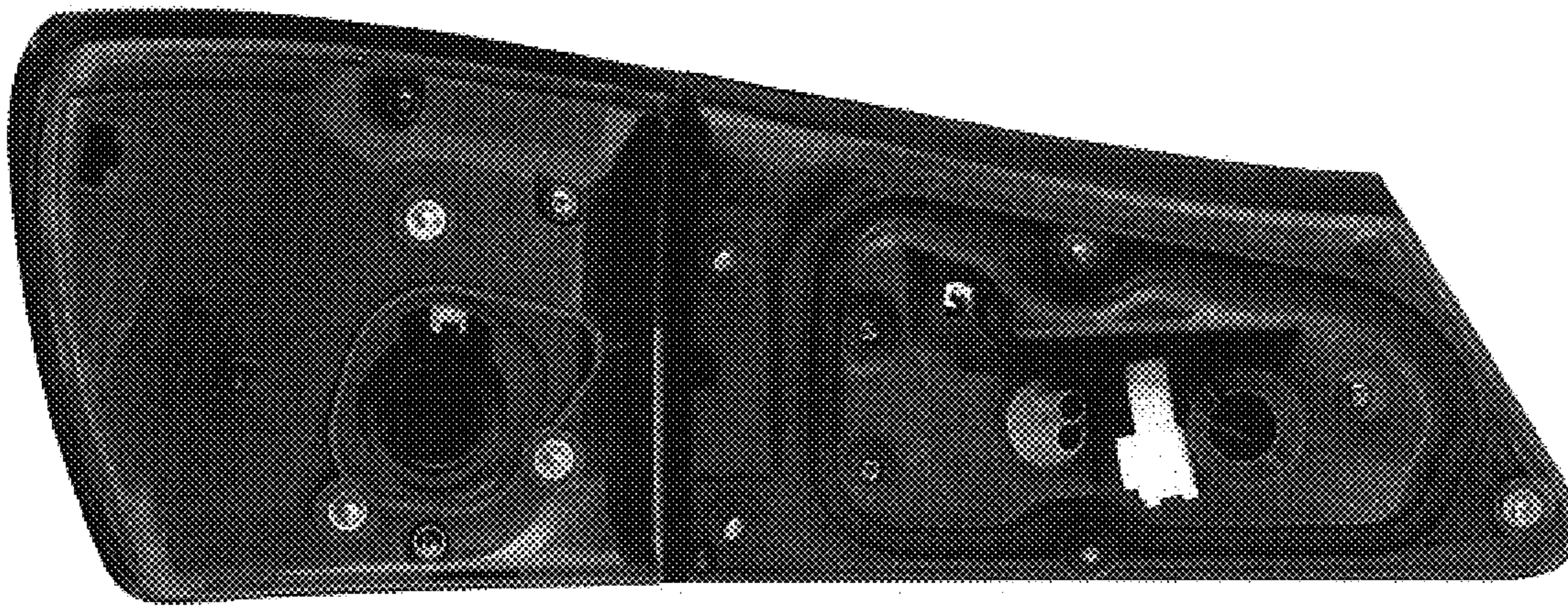


FIG. 3

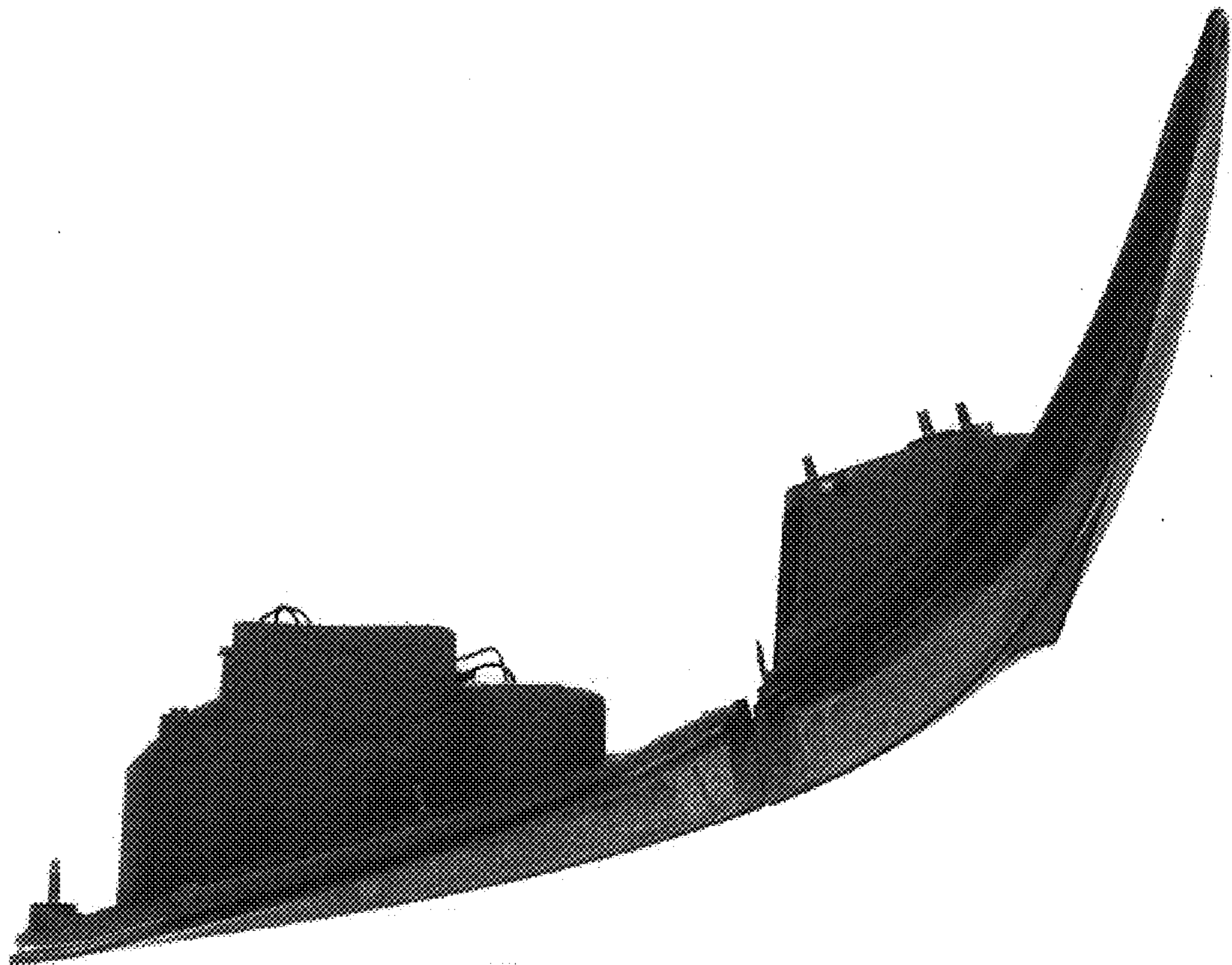


FIG. 4

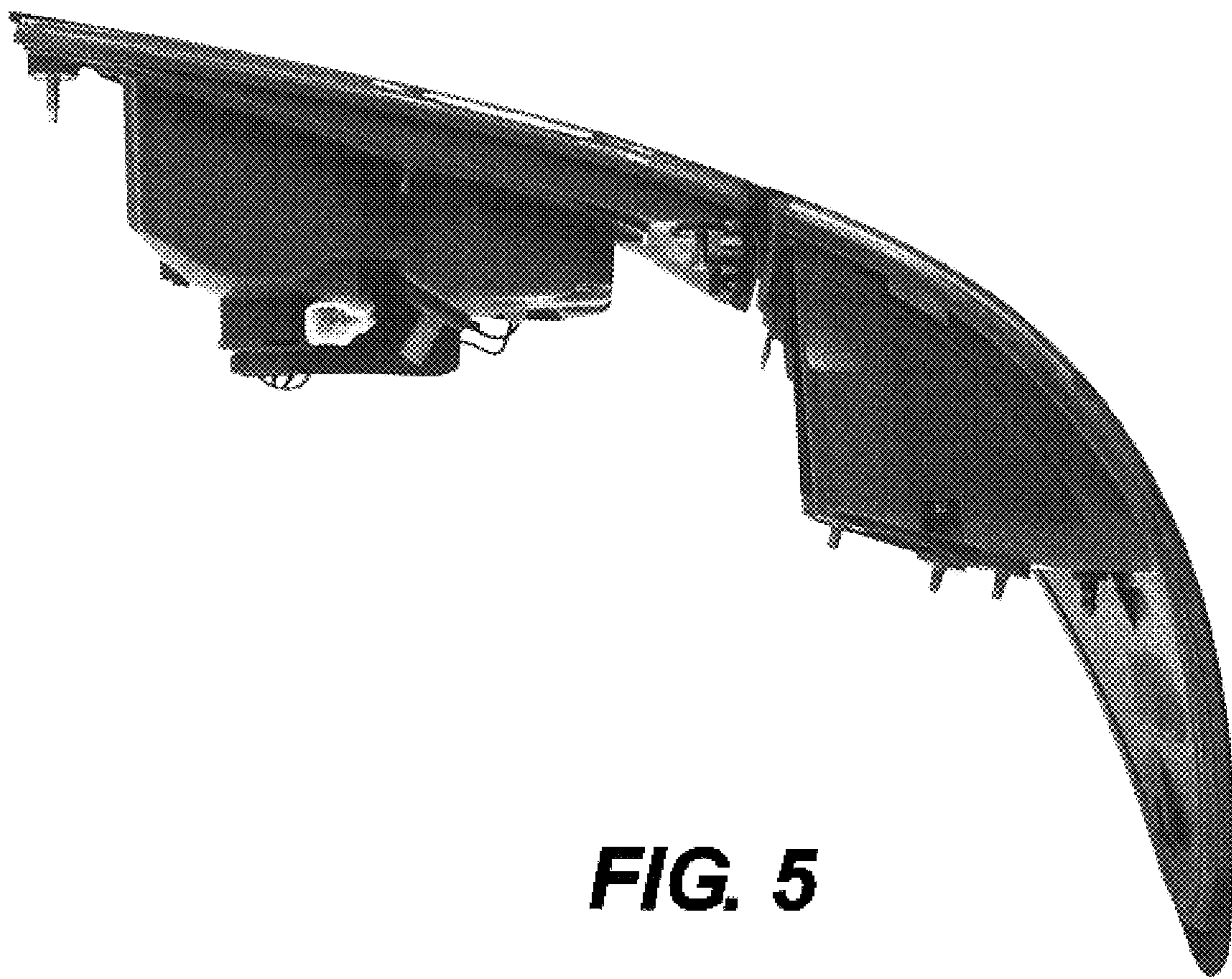


FIG. 5

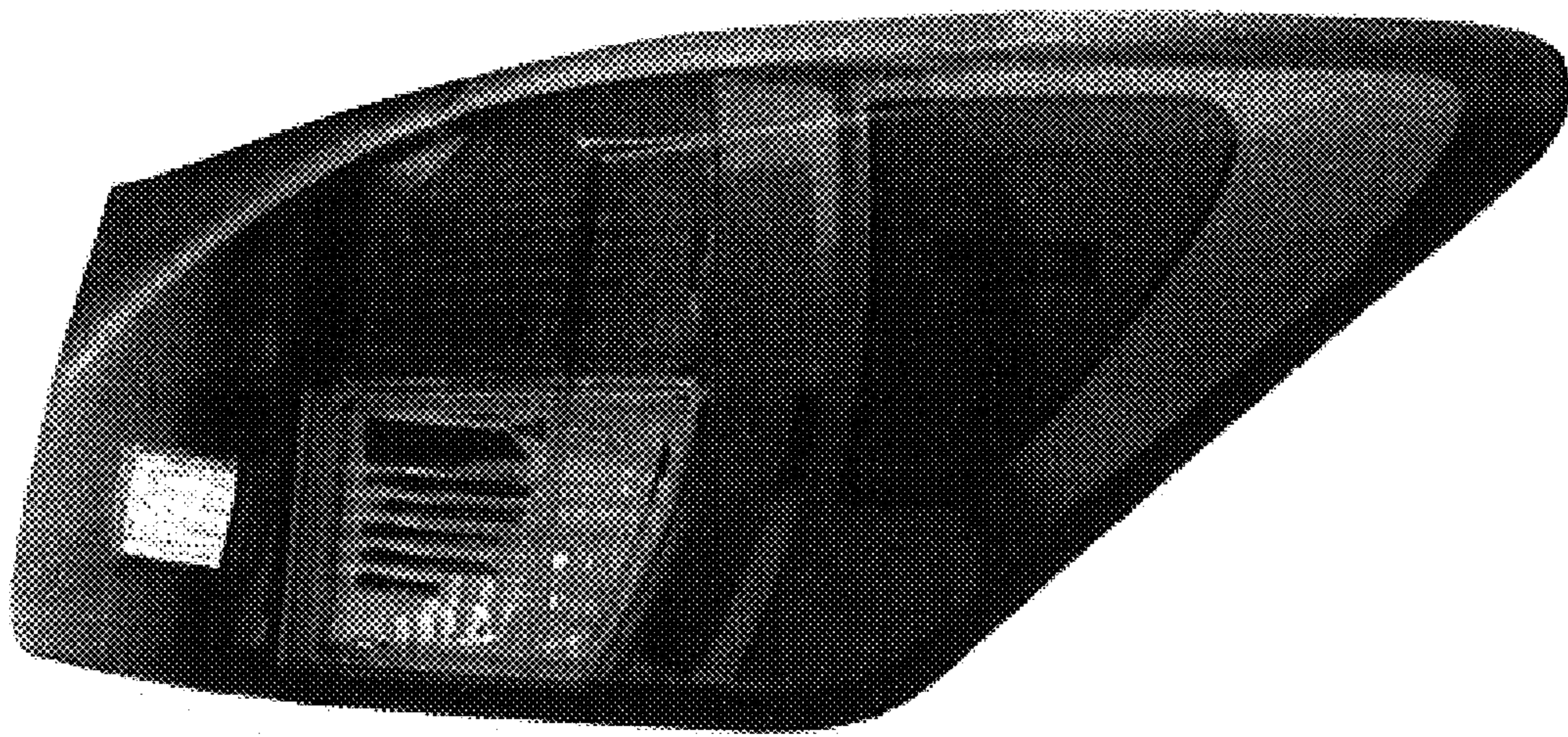


FIG. 6

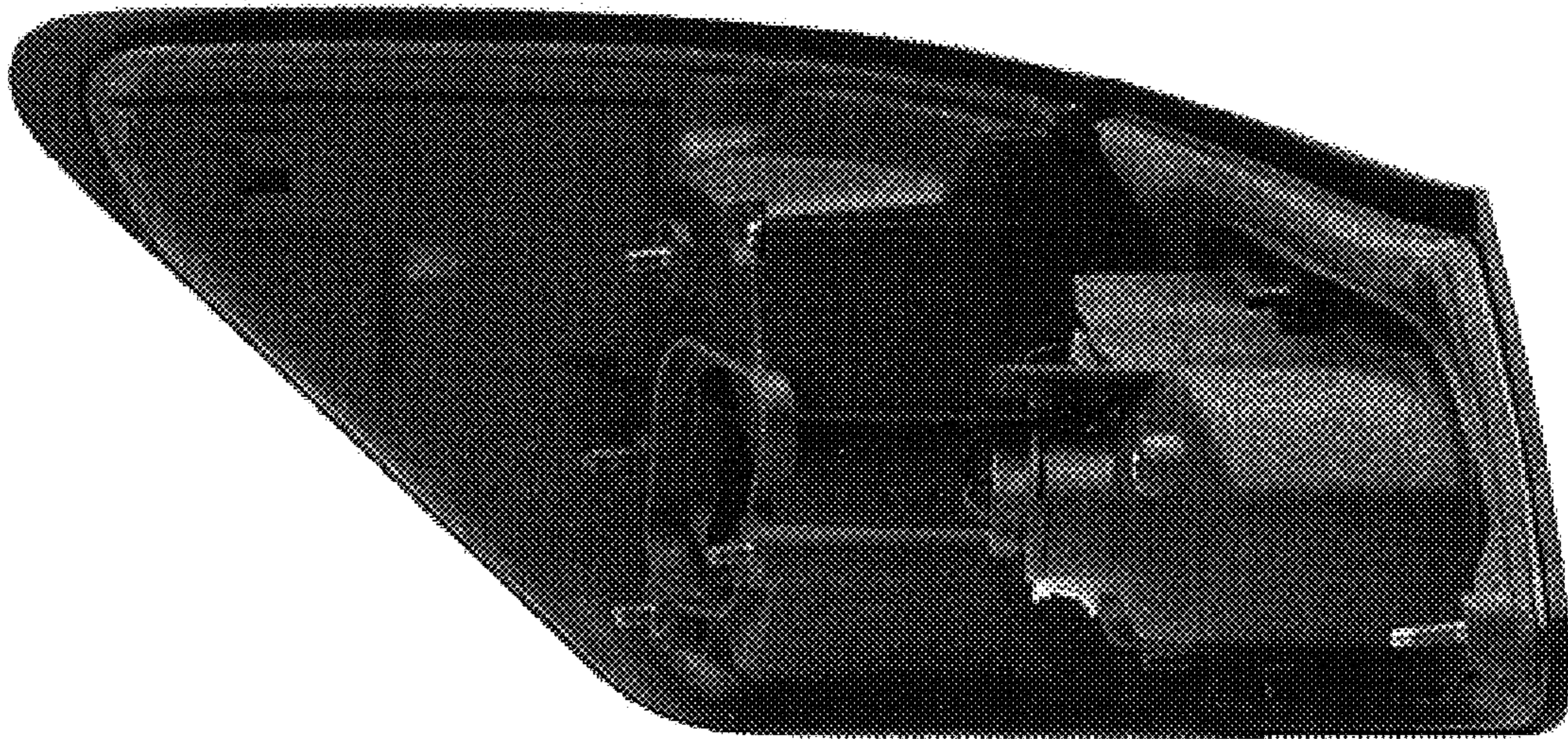


FIG. 7

UNITED STATES PATENT AND TRADEMARK OFFICE
CERTIFICATE OF CORRECTION

PATENT NO. : D523,159 S
APPLICATION NO. : 29/224206
DATED : June 13, 2006
INVENTOR(S) : Hiroyuki Tada

Page 1 of 9

It is certified that error appears in the above-identified patent and that said Letters Patent is hereby corrected as shown below:

The title page, showing an illustrative figure, should be deleted and substitute therefore the attached title page.

The sheets of drawings consisting of figures 1-7 should be deleted to appear as per attached figures 1-7.

Signed and Sealed this
Fifteenth Day of March, 2011

A handwritten signature in black ink that reads "David J. Kappos". The signature is written in a cursive, slightly slanted style.

David J. Kappos
Director of the United States Patent and Trademark Office

(12) **United States Design Patent** (10) **Patent No.:** **US D523,159 S**
Tada (45) **Date of Patent:** **** Jun. 13, 2006**

(54) **REAR COMBINATION LAMP FOR AUTOMOBILE**

(75) Inventor: **Hiroyuki Tada**, Aichi-ken (JP)

(73) Assignee: **Toyota Jidosha Kabushiki Kaisha**, Aichi-ken (JP)

(**) Term: **14 Years**

(21) Appl. No.: **29/224,206**

(22) Filed: **Feb. 25, 2005**

(51) **LOC (8) CL** **26-06**

(52) **U.S. CL** **D26/28**

(58) **Field of Classification Search** D26/28-36;
362/459-468, 475-478, 485, 487
See application file for complete search history.

(56) **References Cited**

U.S. PATENT DOCUMENTS

- D486,594 S * 2/2004 Kuo D26/28
- D496,477 S * 9/2004 Hagino D26/28
- D502,779 S * 3/2005 Kikuchi D26/28
- D505,214 S * 5/2005 Yamagishi D26/28

OTHER PUBLICATIONS

Imported Cars Guide Book, ALFA 156, Oct. 29, 2002, p. 45, Mfg. FIAT.

Motor Fan, Additional Volume All Motor Show, LEXUS GS 430, Nov. 19, 2004, p. 42, Mfg. Toyota Jidosha Kabushiki Kaisha.

* cited by examiner

Primary Examiner—Marcus A. Jackson

(74) *Attorney, Agent, or Firm*—Finnegan, Henderson, Farabow, Garrett & Dunner, L.L.P.

(57) **CLAIM**

The ornamental design for a rear combination lamp for automobile, as shown and described.

DESCRIPTION

FIG. 1 is a left-front, perspective view of a rear combination lamp for automobile of my new design;

FIG. 2 is a front view of my new design;

FIG. 3 is a rear view of my new design;

FIG. 4 is a top view of my new design;

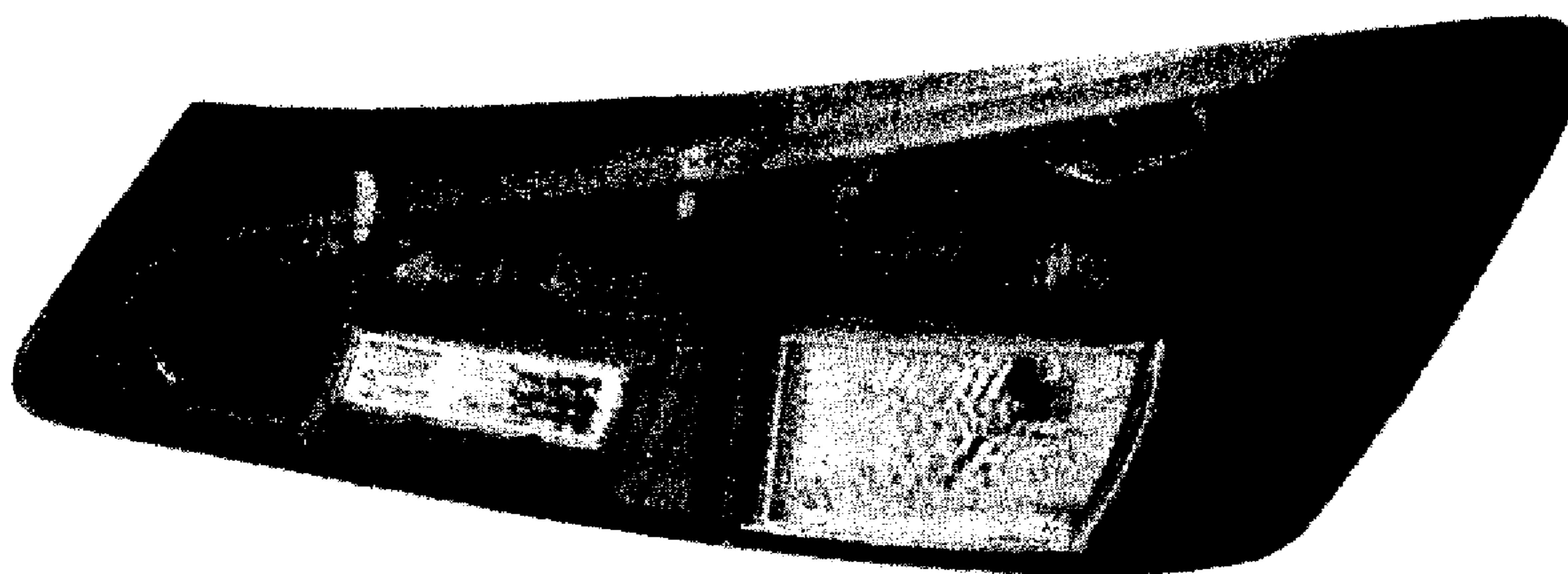
FIG. 5 is a bottom view of my new design;

FIG. 6 is a left-side view of my new design; and,

FIG. 7 is a right-side view of my new design.

My design includes the mirror image of the embodiment depicted.

1 Claim, 7 Drawing Sheets



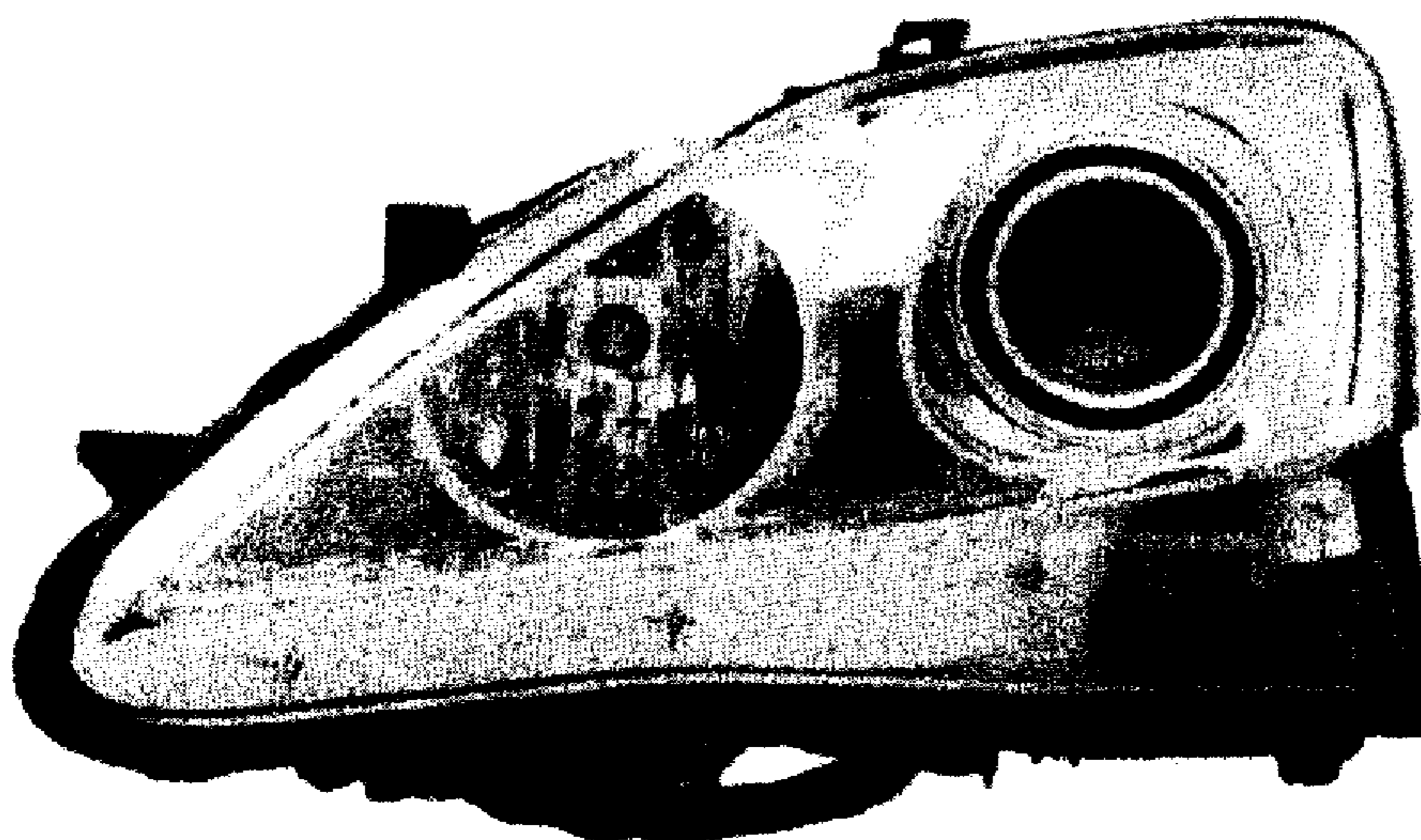


FIG. 1

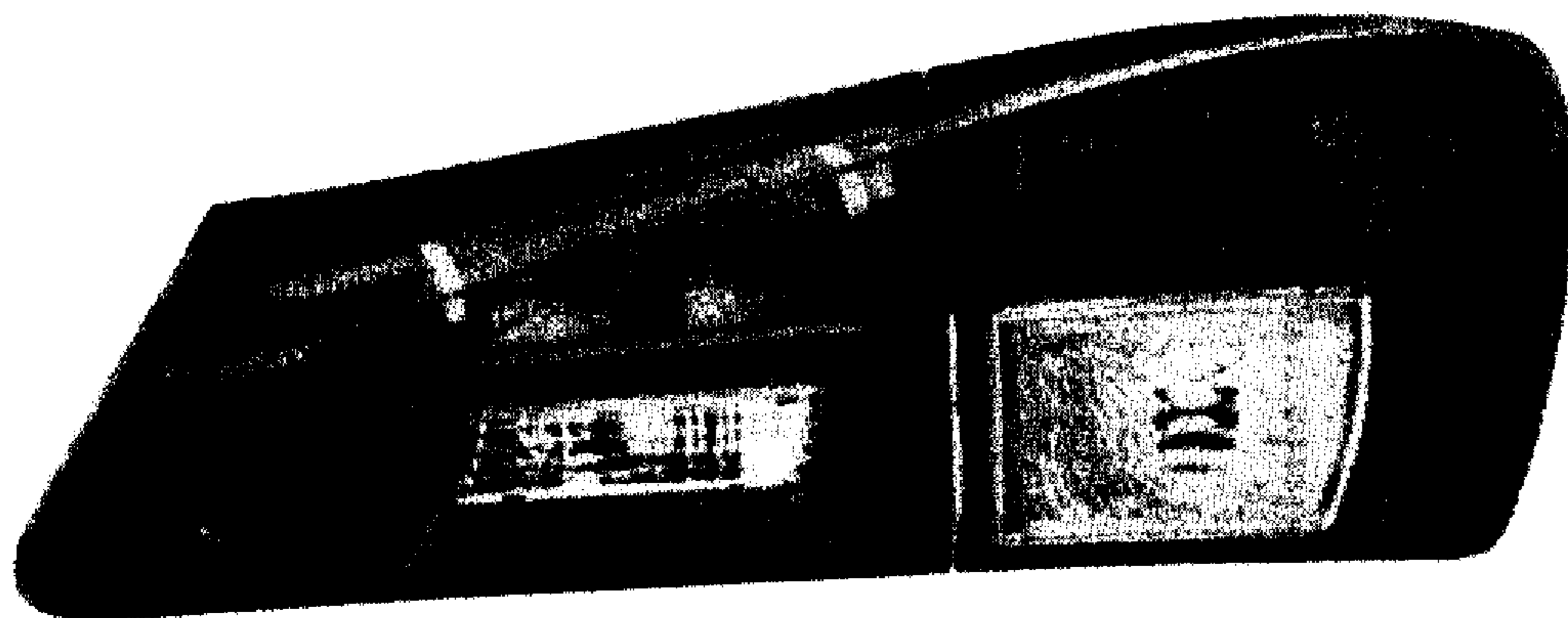


FIG. 2

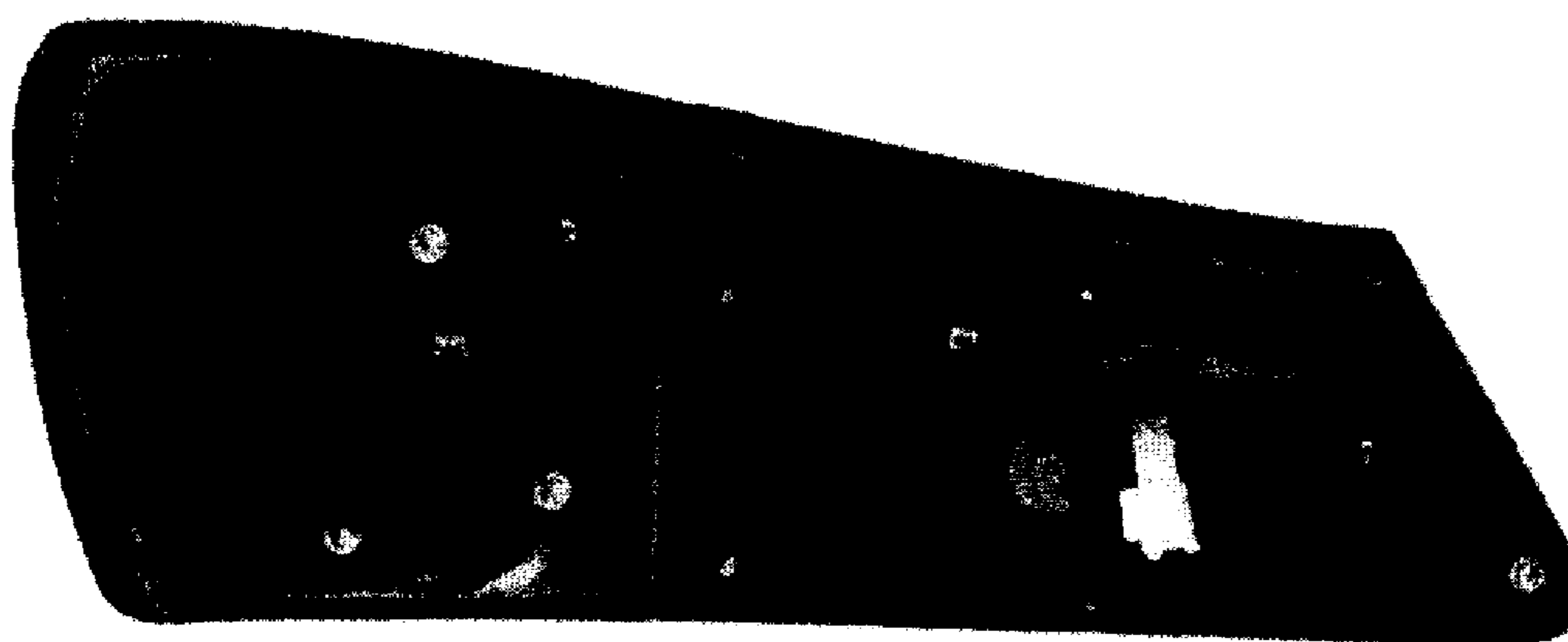


FIG. 3

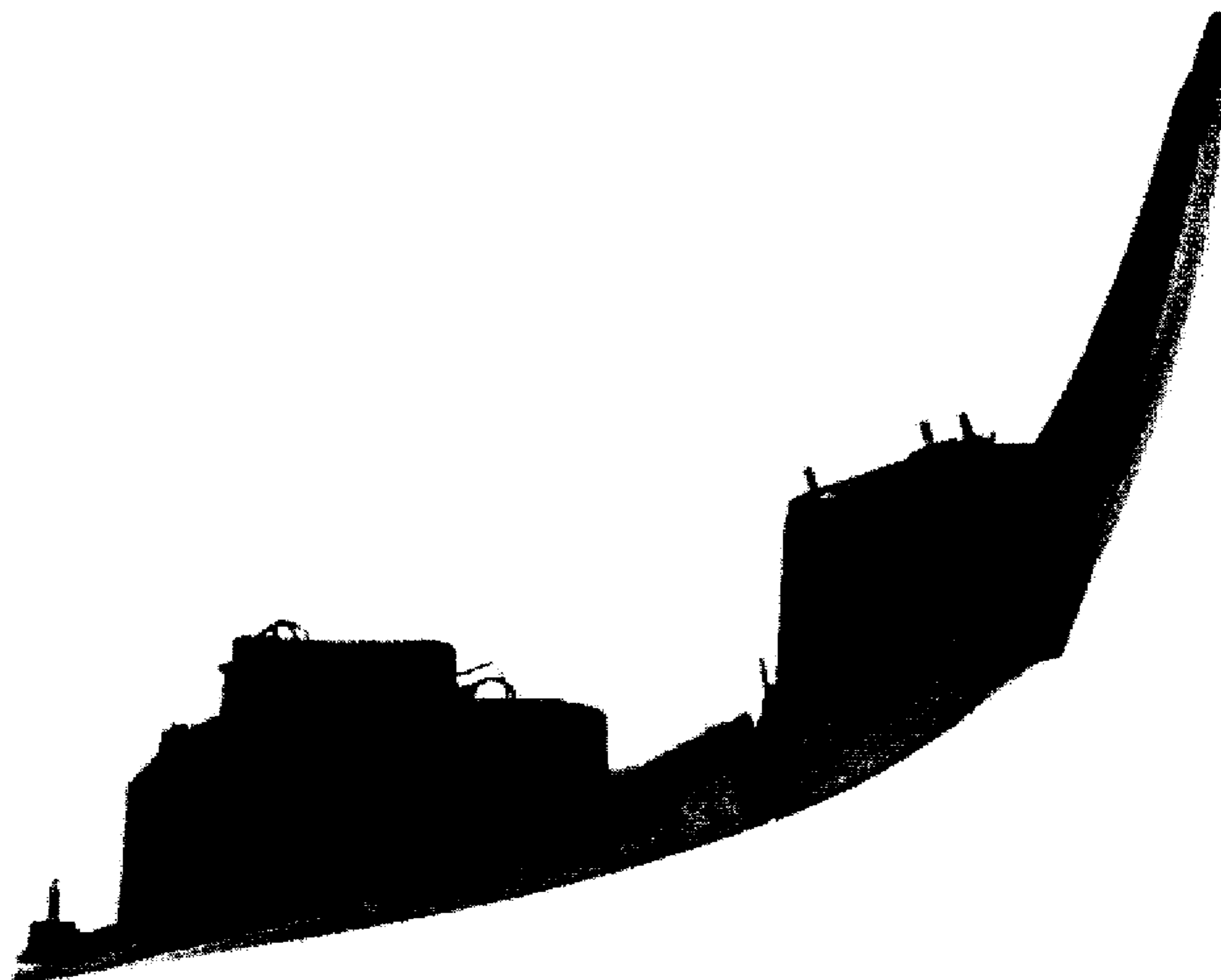


FIG. 4

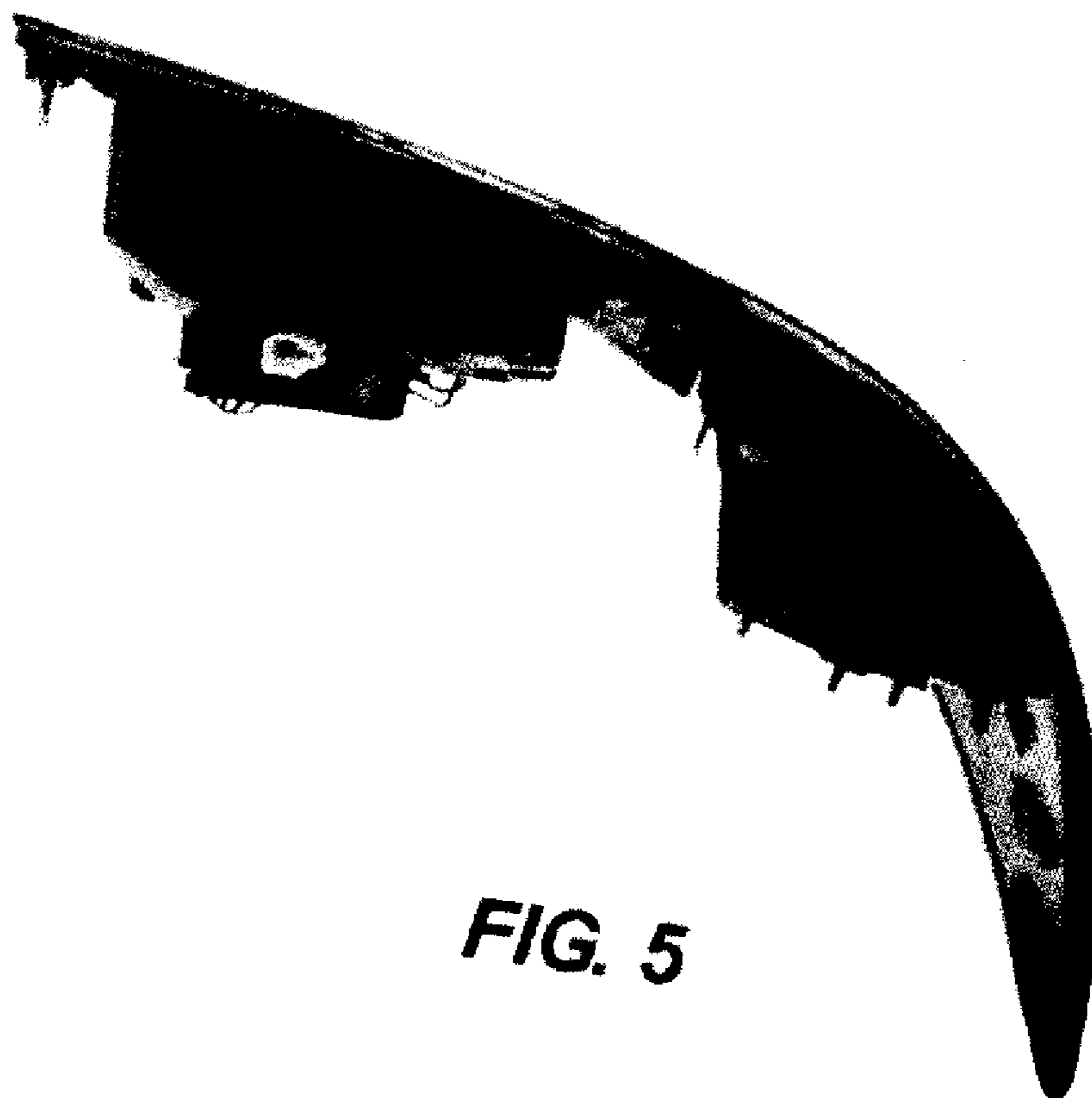


FIG. 5



FIG. 6

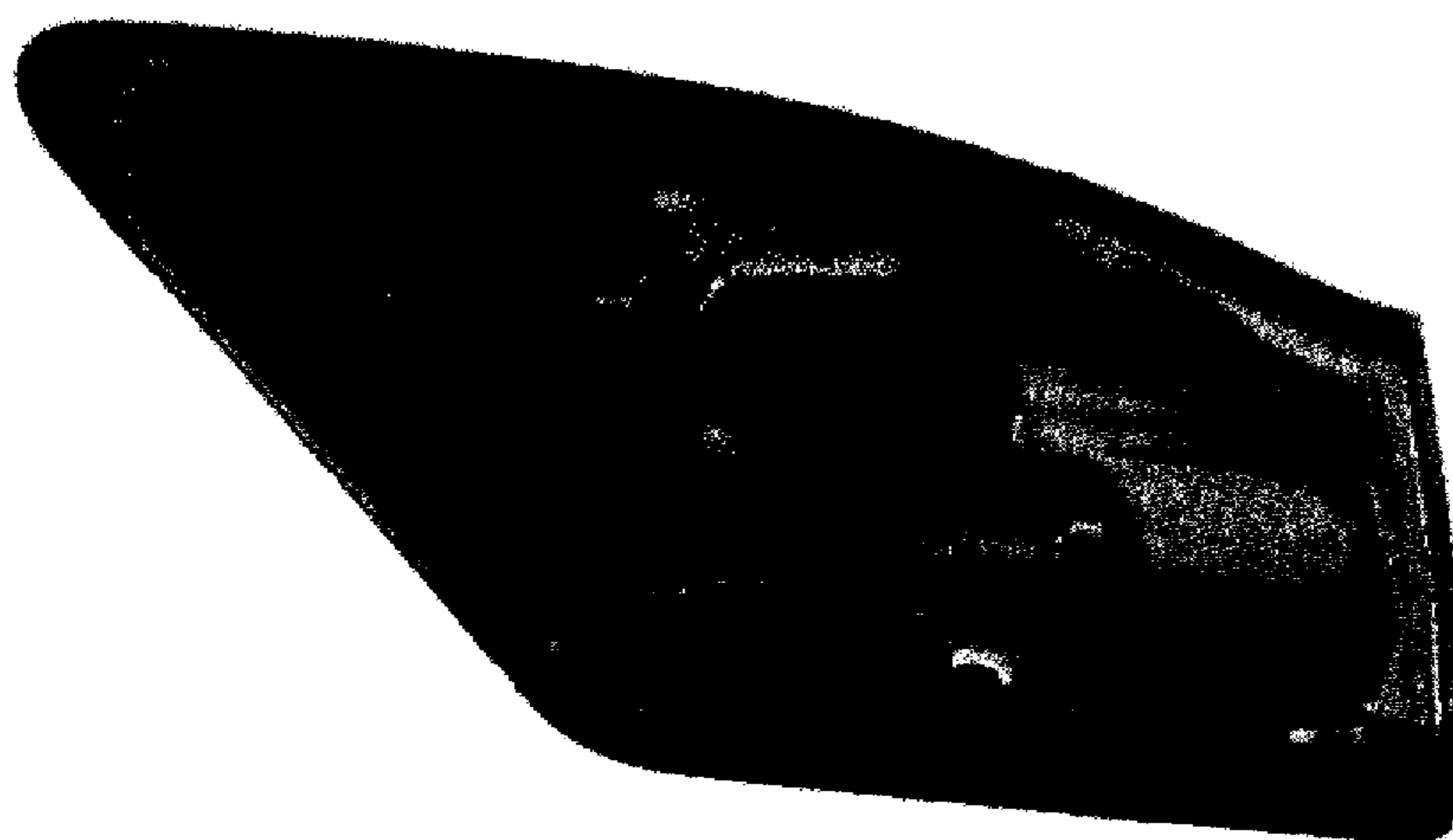


FIG. 7

UNITED STATES PATENT AND TRADEMARK OFFICE
CERTIFICATE OF CORRECTION

PATENT NO. : D523,159 S
APPLICATION NO. : 29/224206
DATED : June 13, 2006
INVENTOR(S) : Tada

Page 1 of 9

It is certified that error appears in the above-identified patent and that said Letters Patent is hereby corrected as shown below:

Please delete the title page and insert the title page showing an illustrative figure as attached.

In the Drawings

Please delete drawing sheets 1-7 and insert drawing sheets 1-7 with figures 1-7 as attached.

This certificate supersedes the Certificate of Correction issued March 15, 2011.

Signed and Sealed this
Ninth Day of July, 2013



Teresa Stanek Rea
Acting Director of the United States Patent and Trademark Office

(12) **United States Design Patent**
Tada

(19) Patent No.: **US D523,159 S**
 (45) Date of Patent: **Jun. 13, 2006**

(54) **REAR COMBINATION LAMP FOR AUTOMOBILE**

(75) Inventor: **Hiroyuki Tada, Aichi-ken (JP)**
 (73) Assignee: **Toyota Jidosha Kabushiki Kaisha, Aichi-ken (JP)**
 (**) Term: **14 Years**

(21) Appl. No.: **29/234,206**
 (22) Filed: **Feb. 25, 2005**

(51) LOC (8) Cl. **D26-06**
 (52) U.S. Cl. **D26/28**
 (58) Field of Classification Search **D26/28-36; 362/459-468, 475-478, 485, 487**
 See application file for complete search history.

(56) **References Cited**

U.S. PATENT DOCUMENTS

| | | | | | |
|------------|---|--------|-----------|-------|--------|
| D486,594 S | * | 2/2004 | Kao | | D26/28 |
| D496,477 S | * | 9/2004 | Hagino | | D26/28 |
| D502,779 S | * | 3/2005 | Kikuchi | | D26/28 |
| D505,214 S | * | 5/2005 | Yamagishi | | D26/28 |

OTHER PUBLICATIONS

Imported Cars Guide Book, ALFA 156, Oct. 29, 2002, p. 45, Mfg. FIAT.

Motor Fan, Additional Volume—All Motor Show, LEXUS (S 430, Nov. 19, 2004, p. 42, Mfg. Toyota Jidosha Kabushiki Kaisha.

* cited by examiner

Primary Examiner—**Marcus A. Jackson**
 (74) Attorney, Agent, or Firm—**Finnegan, Henderson, Farabee, Garrett & Dunner, L.L.P.**

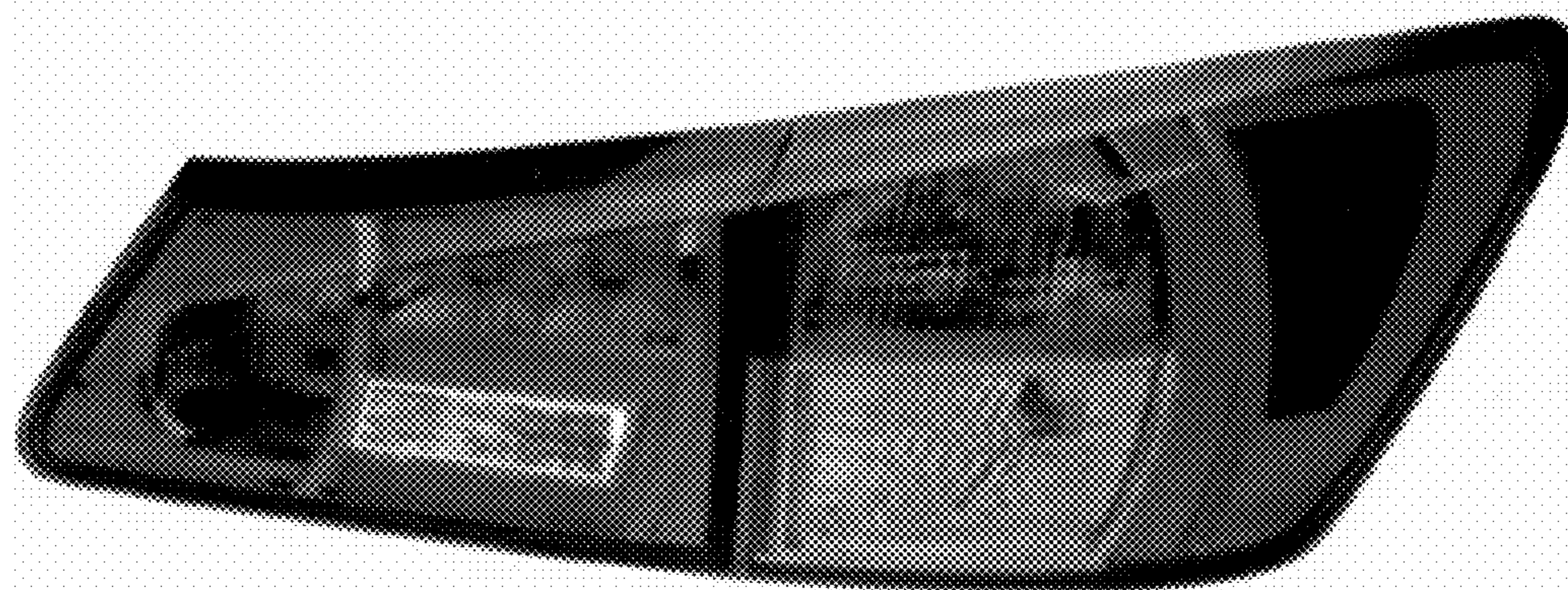
(57) **CLAIM**

The ornamental design for a rear combination lamp for automobile, as shown and described.

DESCRIPTION

FIG. 1 is a left-front, perspective view of a rear combination lamp for automobile of my new design;
 FIG. 2 is a front view of my new design;
 FIG. 3 is a rear view of my new design;
 FIG. 4 is a top view of my new design;
 FIG. 5 is a bottom view of my new design;
 FIG. 6 is a left-side view of my new design; and,
 FIG. 7 is a right-side view of my new design.
 My design includes the mirror image of the embodiment depicted.

1 Claim, 7 Drawing Sheets



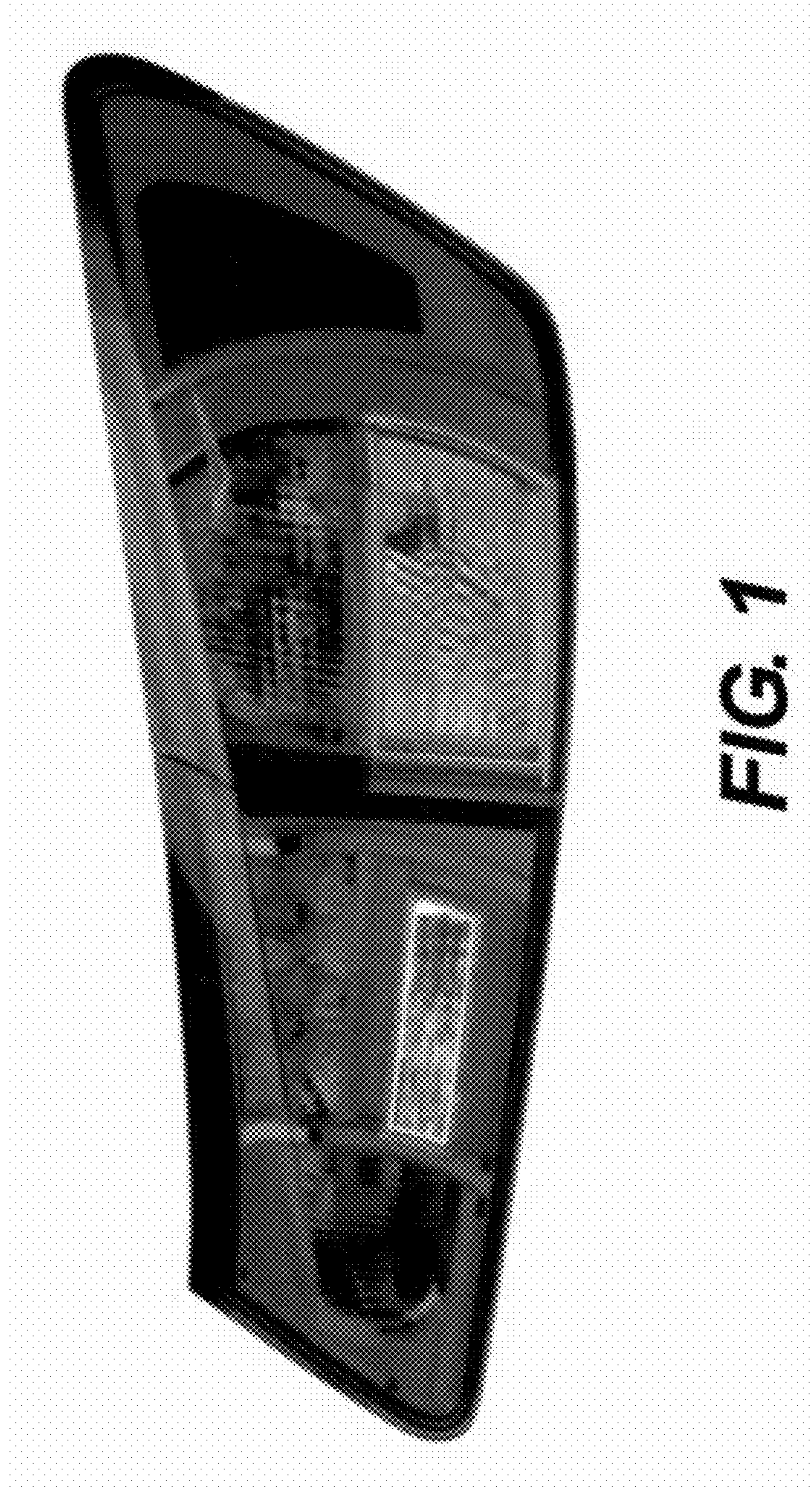


FIG. 1

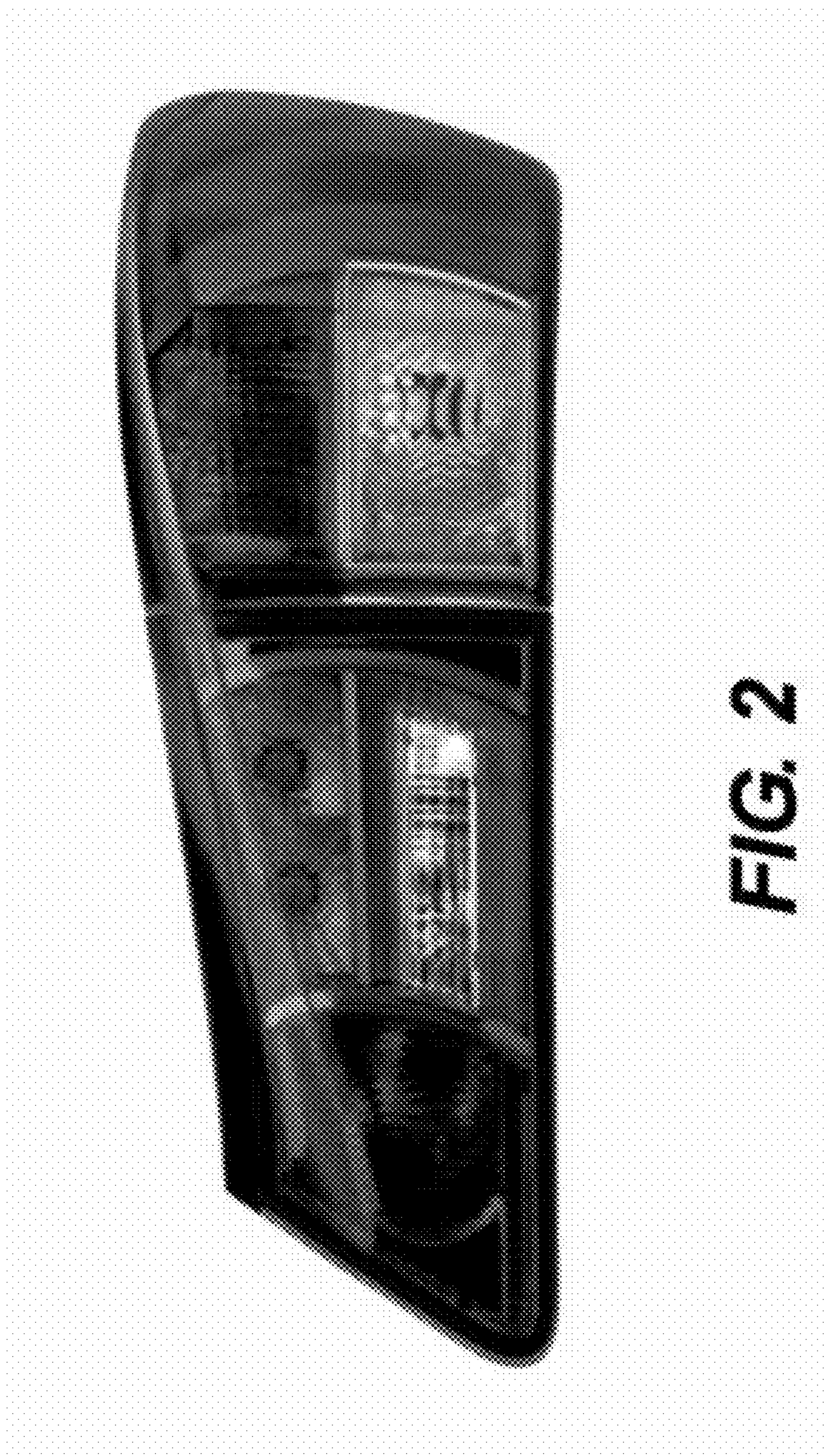


FIG. 2

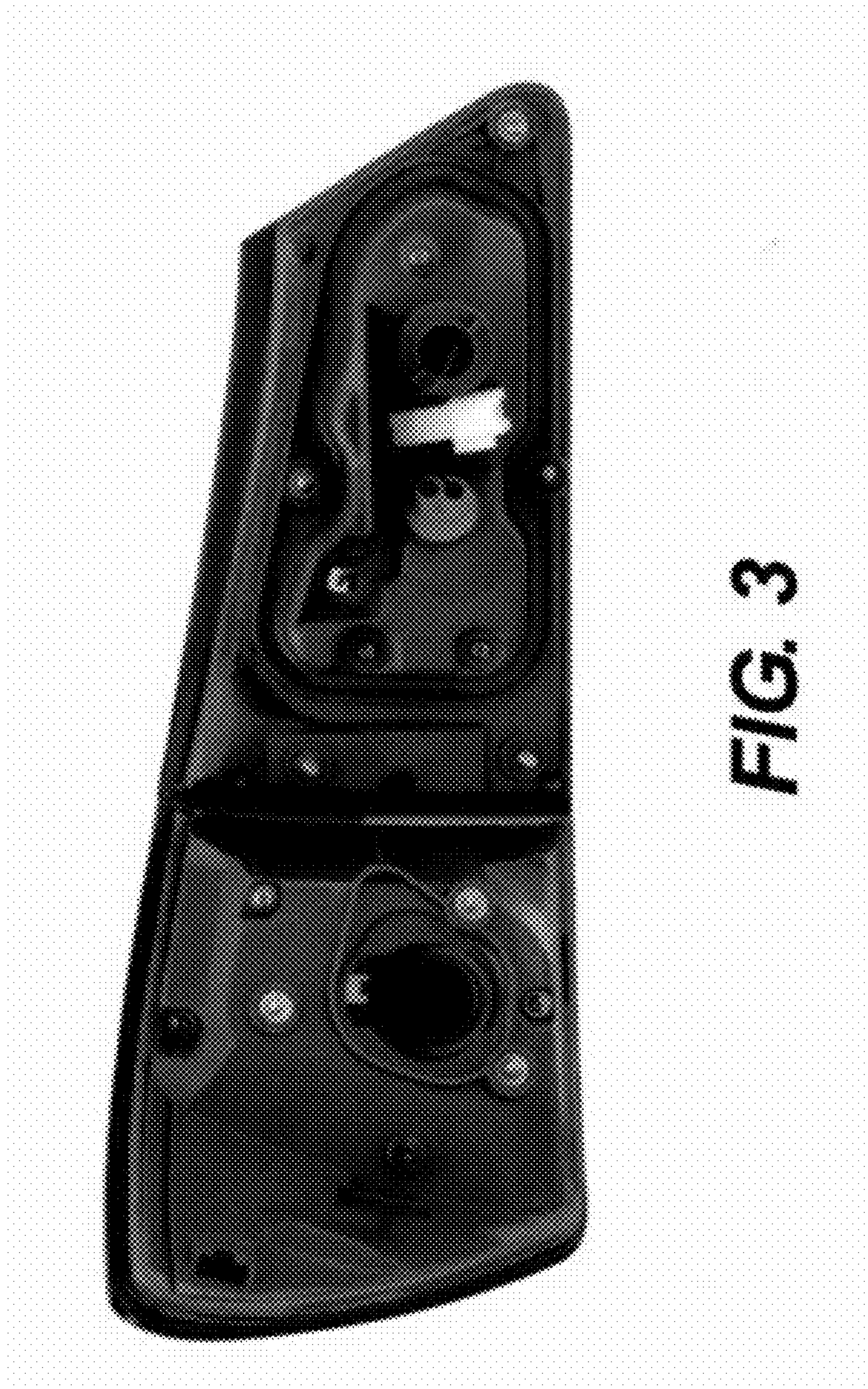


FIG. 3

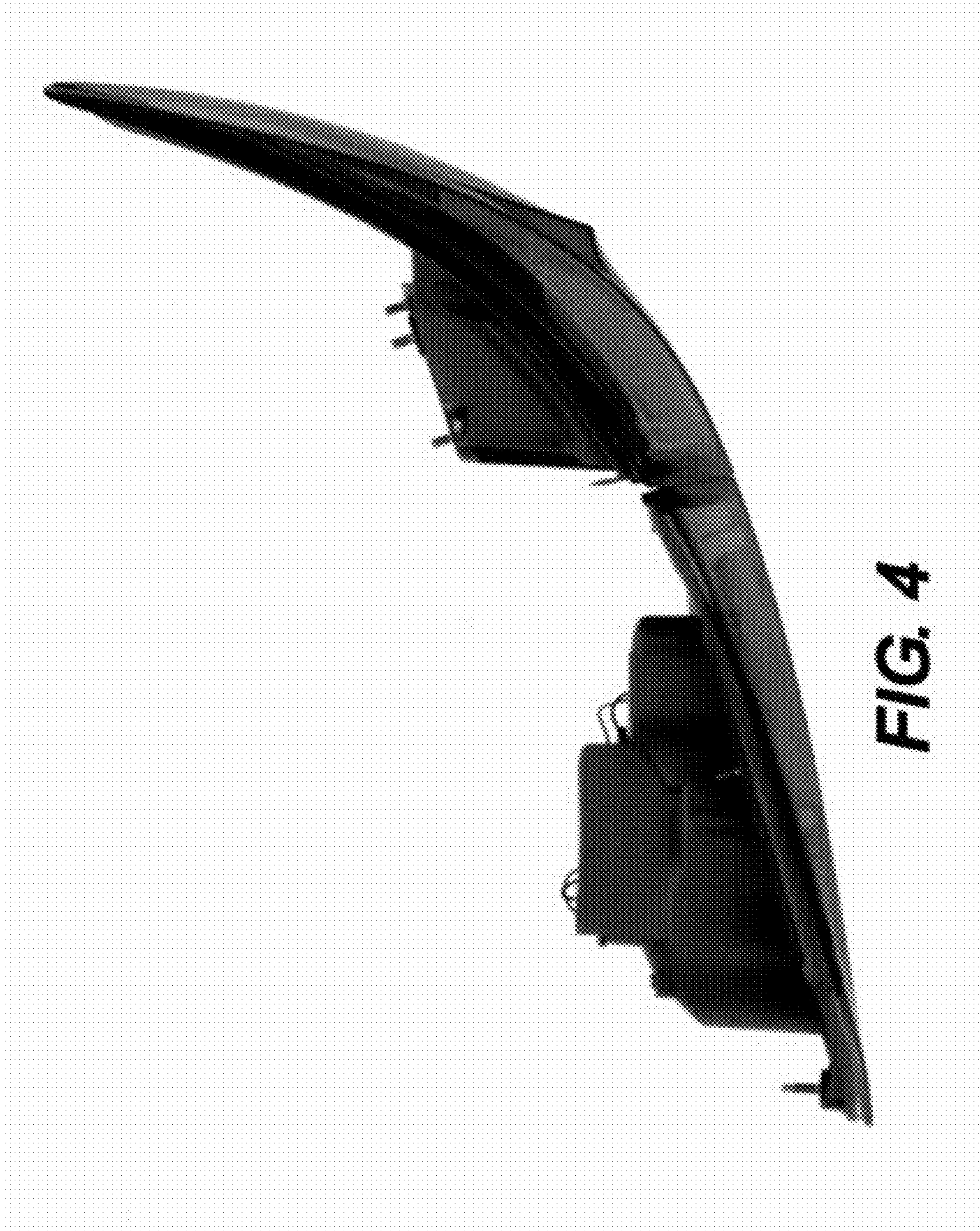




FIG. 5



FIG. 6

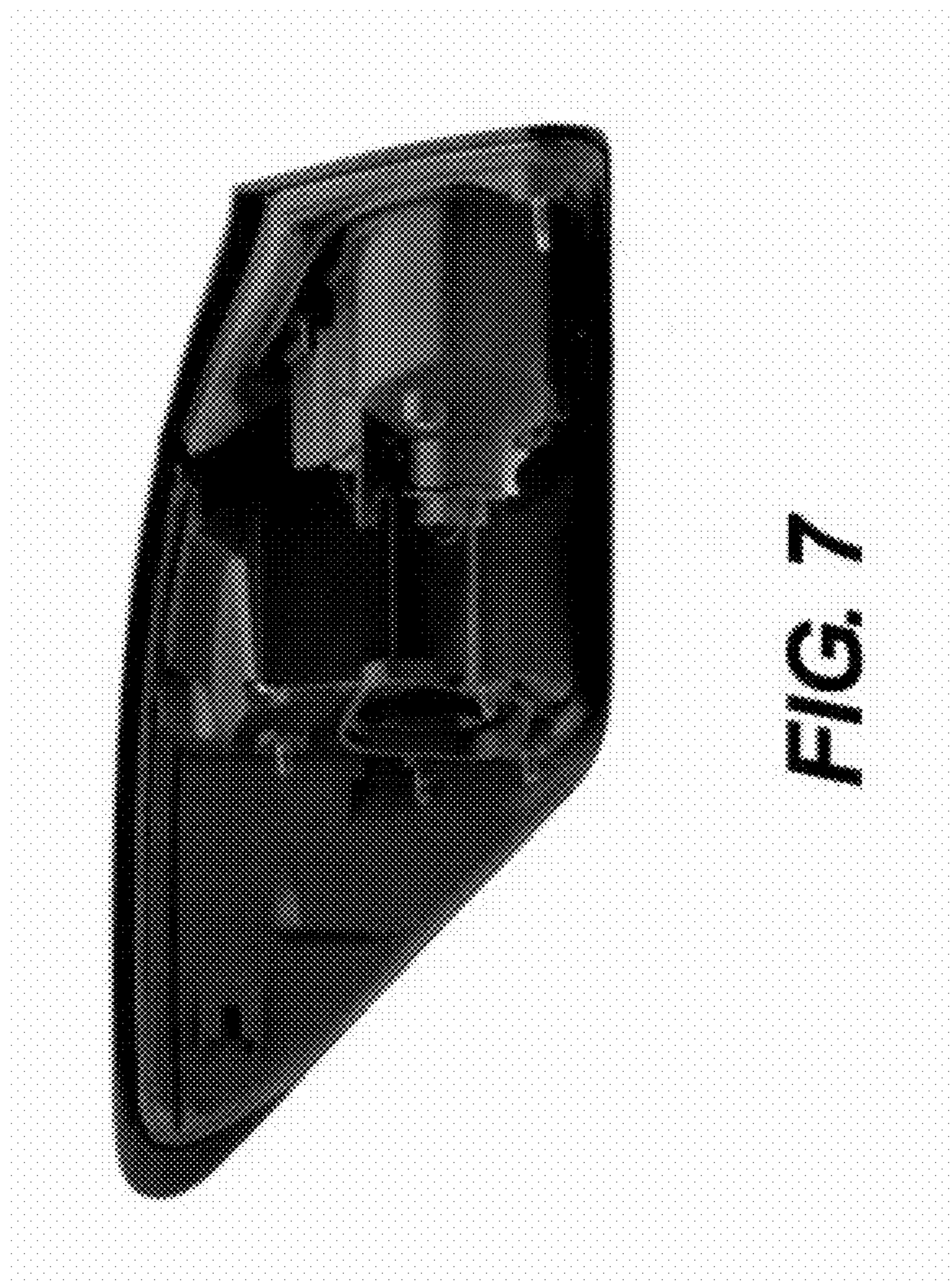


FIG. 7