



US00D523156S

(12) **United States Design Patent**  
**Skaggs**

(10) **Patent No.:** **US D523,156 S**

(45) **Date of Patent:** **\*\* Jun. 13, 2006**

(54) **LADDER PLATFORM**

(76) Inventor: **Jerry W. Skaggs**, P.O. Box 344, Oak Hill, WV (US) 25901

(\*\*) Term: **14 Years**

(21) Appl. No.: **29/222,235**

(22) Filed: **Jan. 28, 2005**

(51) **LOC (8) Cl.** ..... **25-04**

(52) **U.S. Cl.** ..... **D25/68**

(58) **Field of Classification Search** ..... D25/68,  
D25/69, 62; 182/101, 112, 102, 116, 121;  
248/38

See application file for complete search history.

(56) **References Cited**

**U.S. PATENT DOCUMENTS**

D307,187 S	*	4/1990	Schaf	.....	D25/68
D353,469 S		12/1994	Skaggs		
5,465,809 A	*	11/1995	Panicci	.....	182/121
D388,883 S	*	1/1998	Thivierge et al.	.....	D25/68
5,836,420 A	*	11/1998	Marky, Jr.	.....	182/121

\* cited by examiner

*Primary Examiner*—Doris Clark

(74) *Attorney, Agent, or Firm*—Clark & Brody

(57) **CLAIM**

The ornamental design for a ladder platform, as shown and described.

**DESCRIPTION**

FIG. 1 is a front perspective view of a ladder platform, showing my new design;

FIG. 2 is an exploded front perspective view thereof showing the ladder platform of FIG. 1 with the legs detached;

FIG. 3 is an exploded right side view thereof, with the left side view being the same;

FIG. 4 is a top view of the platform base of the ladder platform;

FIG. 5 is a bottom view of the platform base of the ladder platform;

FIG. 6 is an exploded front view thereof;

FIG. 7 is an exploded rear view thereof; and,

FIG. 8 is a rear perspective view thereof in an exemplary use.

The broken lines representing a ladder are for illustrative purposes only and form no part of the claimed design.

**1 Claim, 6 Drawing Sheets**

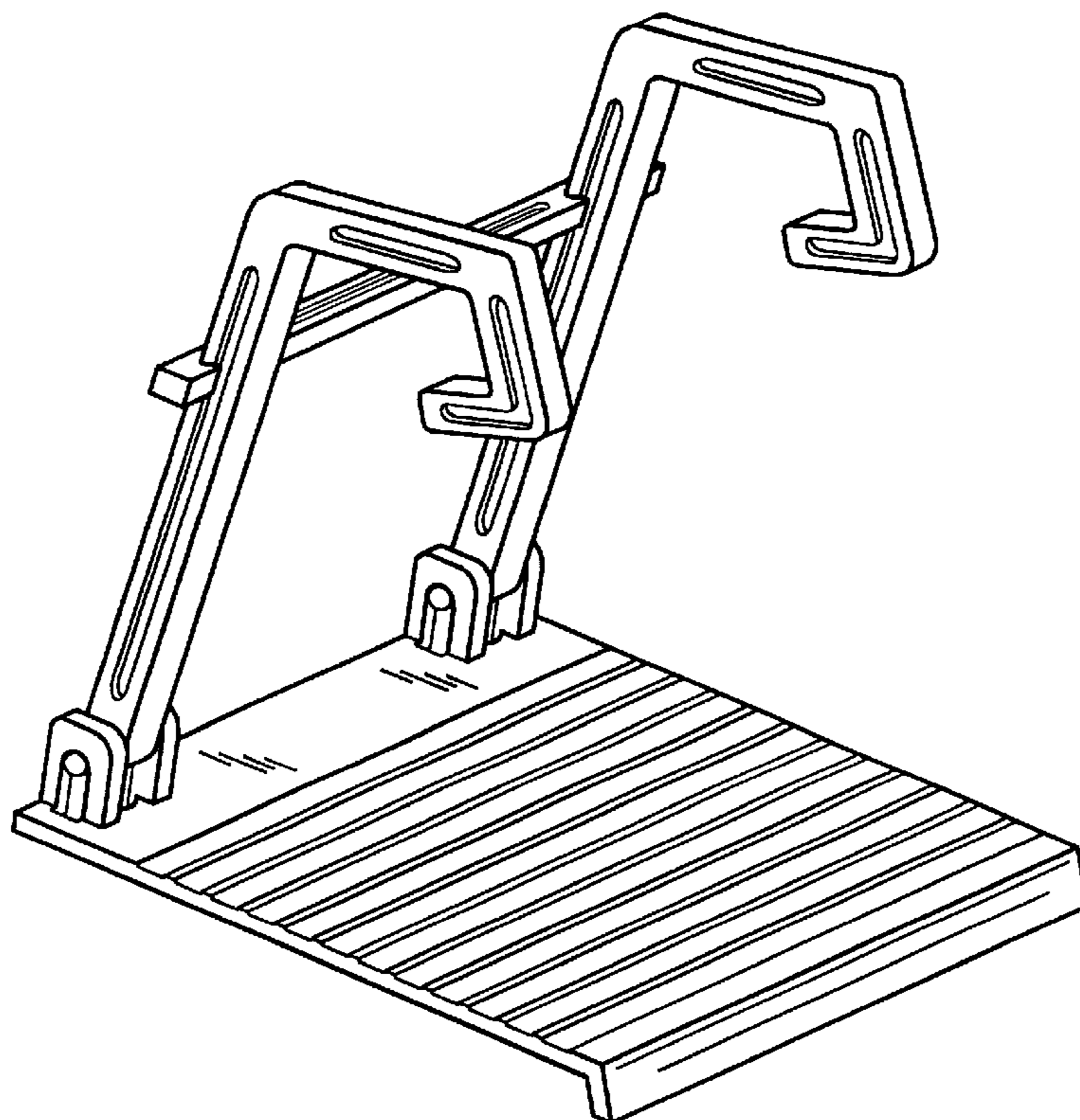


FIG. 1

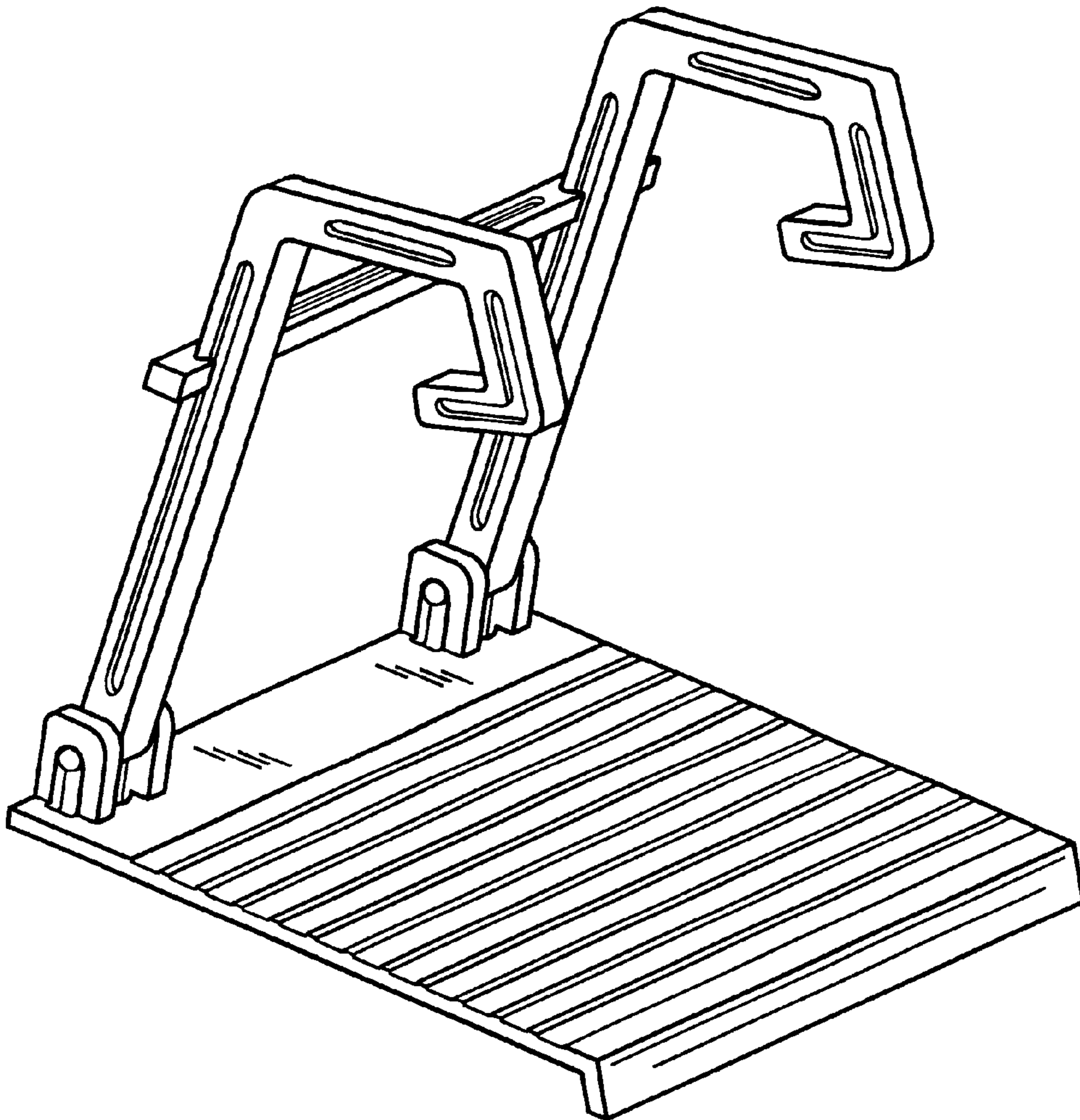


FIG. 2

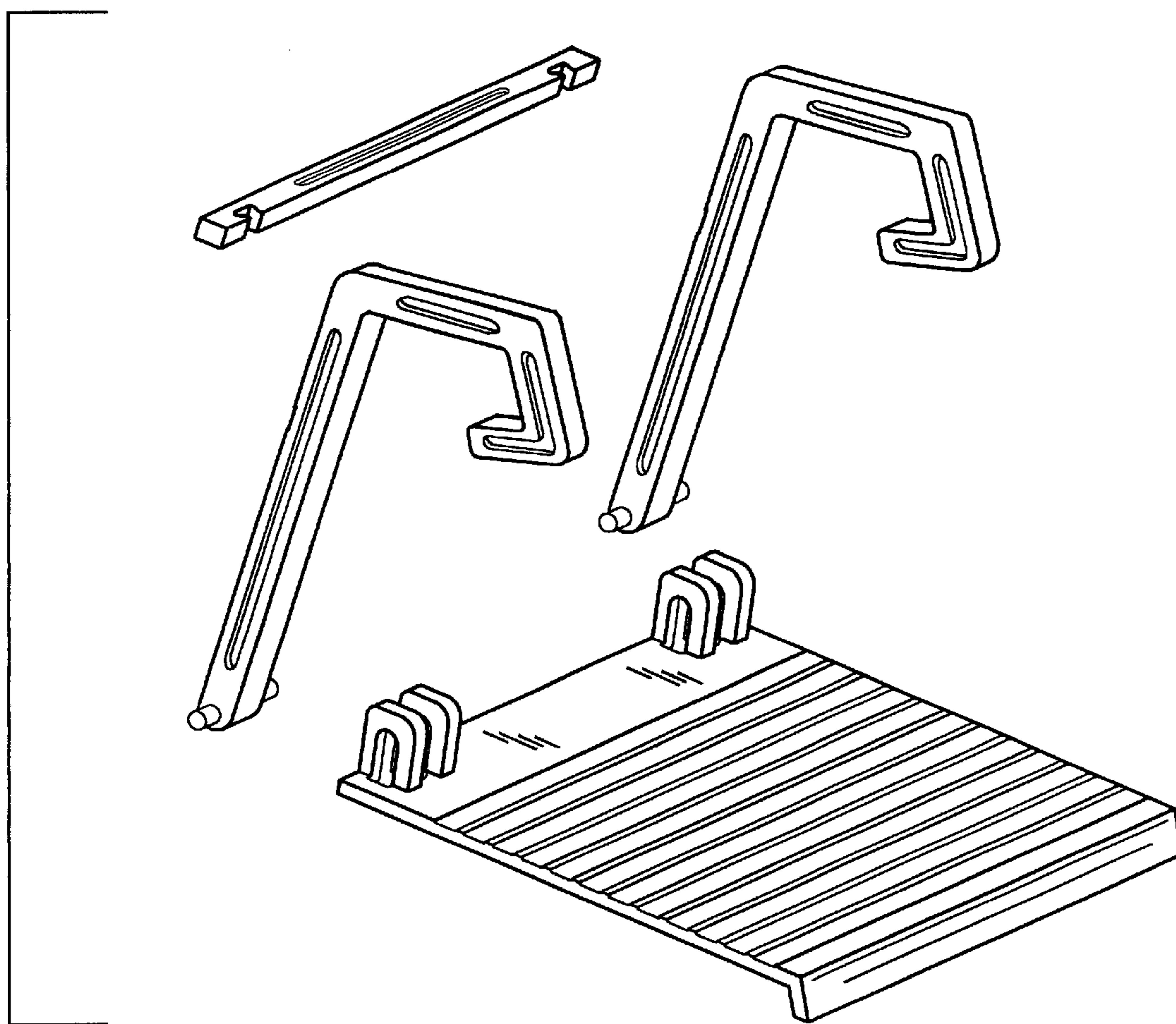


FIG. 3

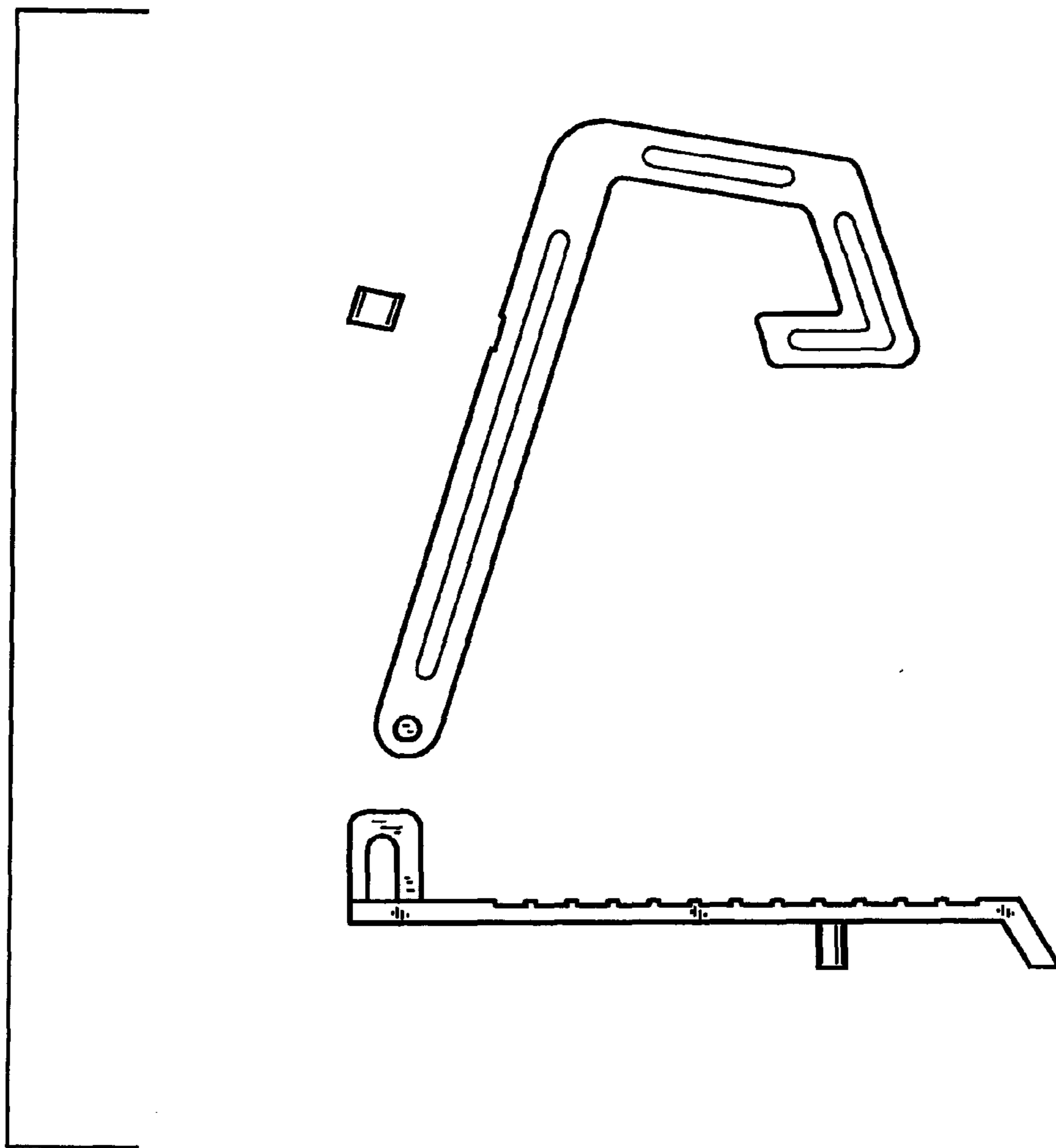


FIG. 4

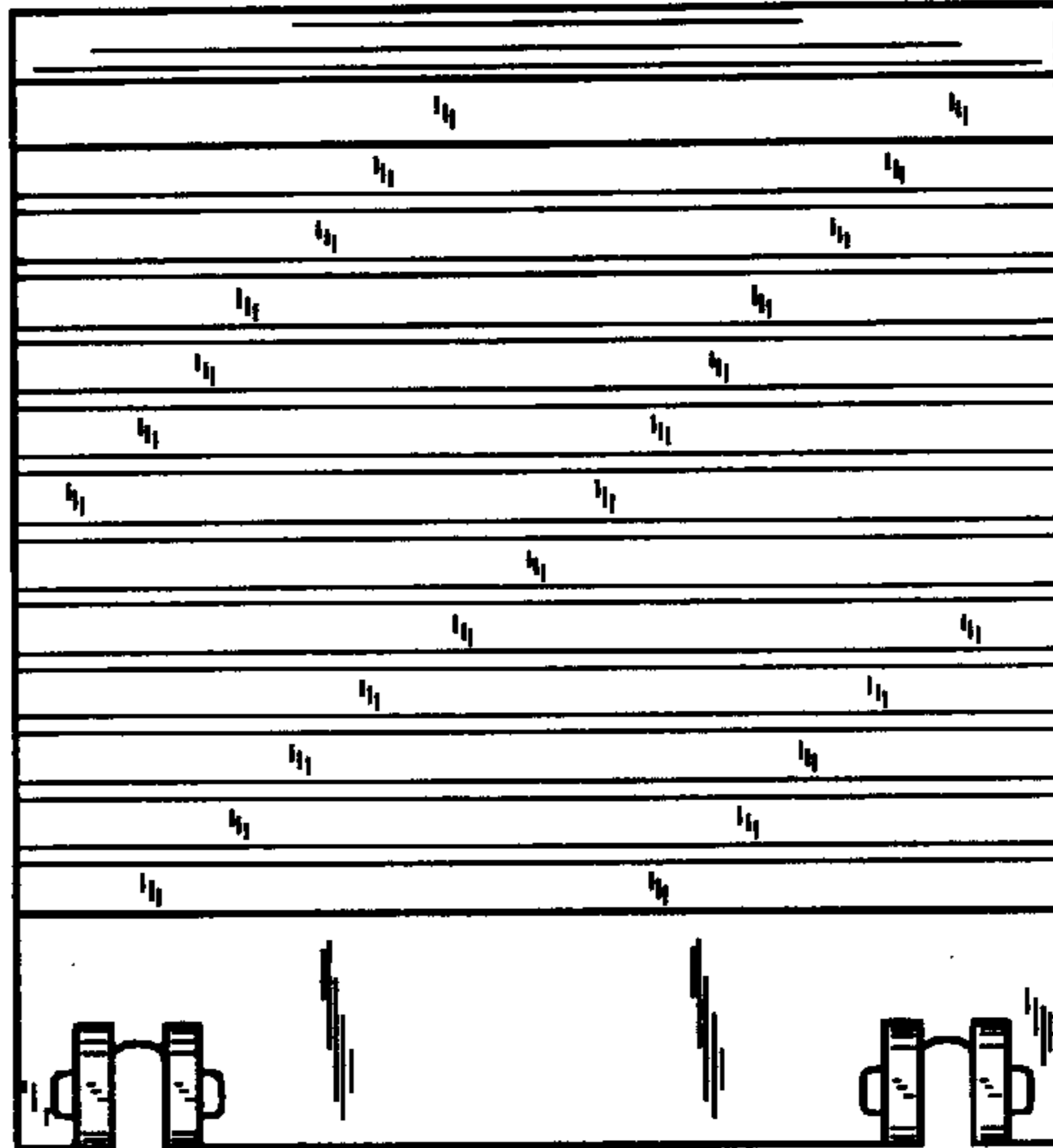


FIG. 5

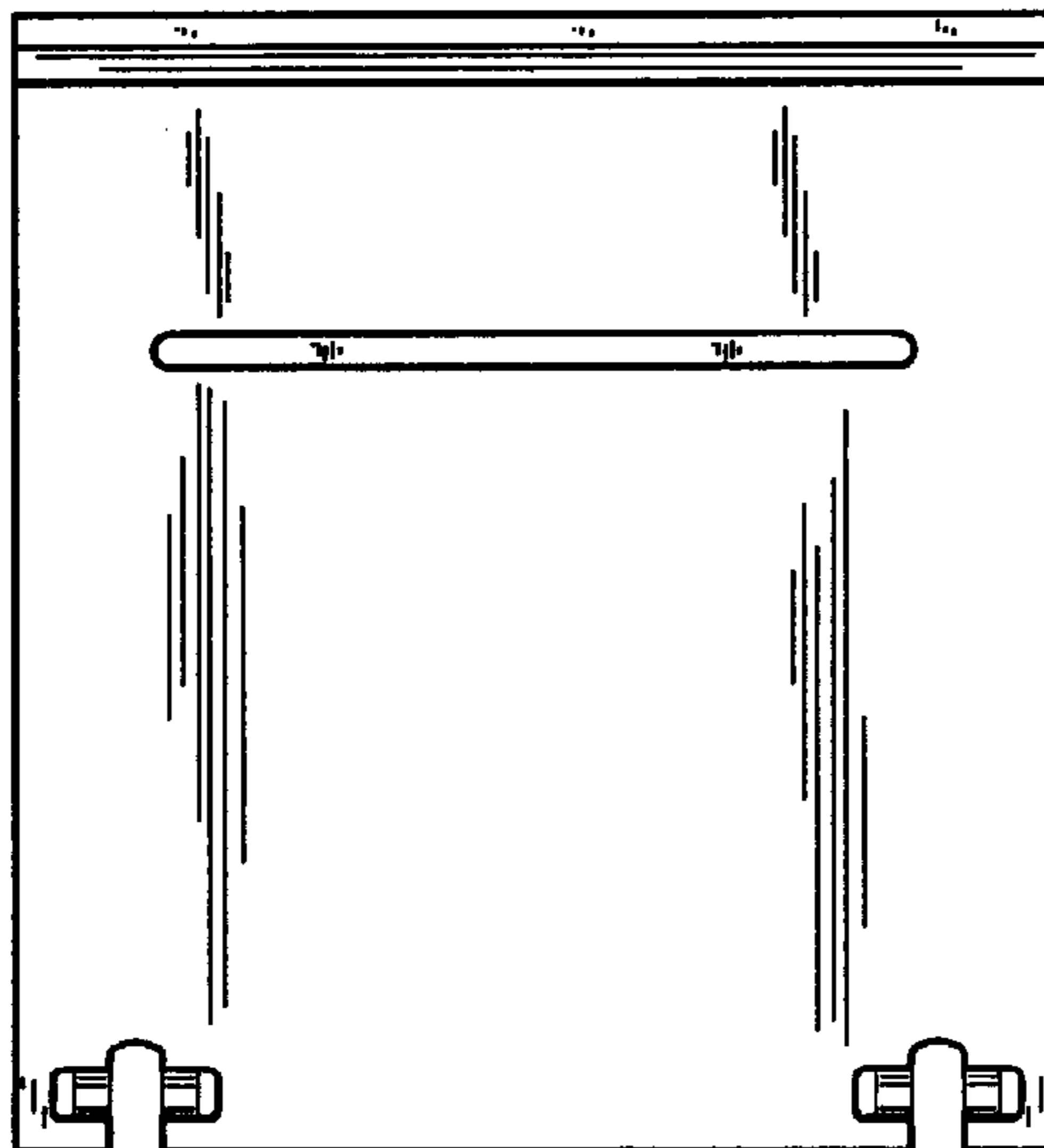


FIG. 6

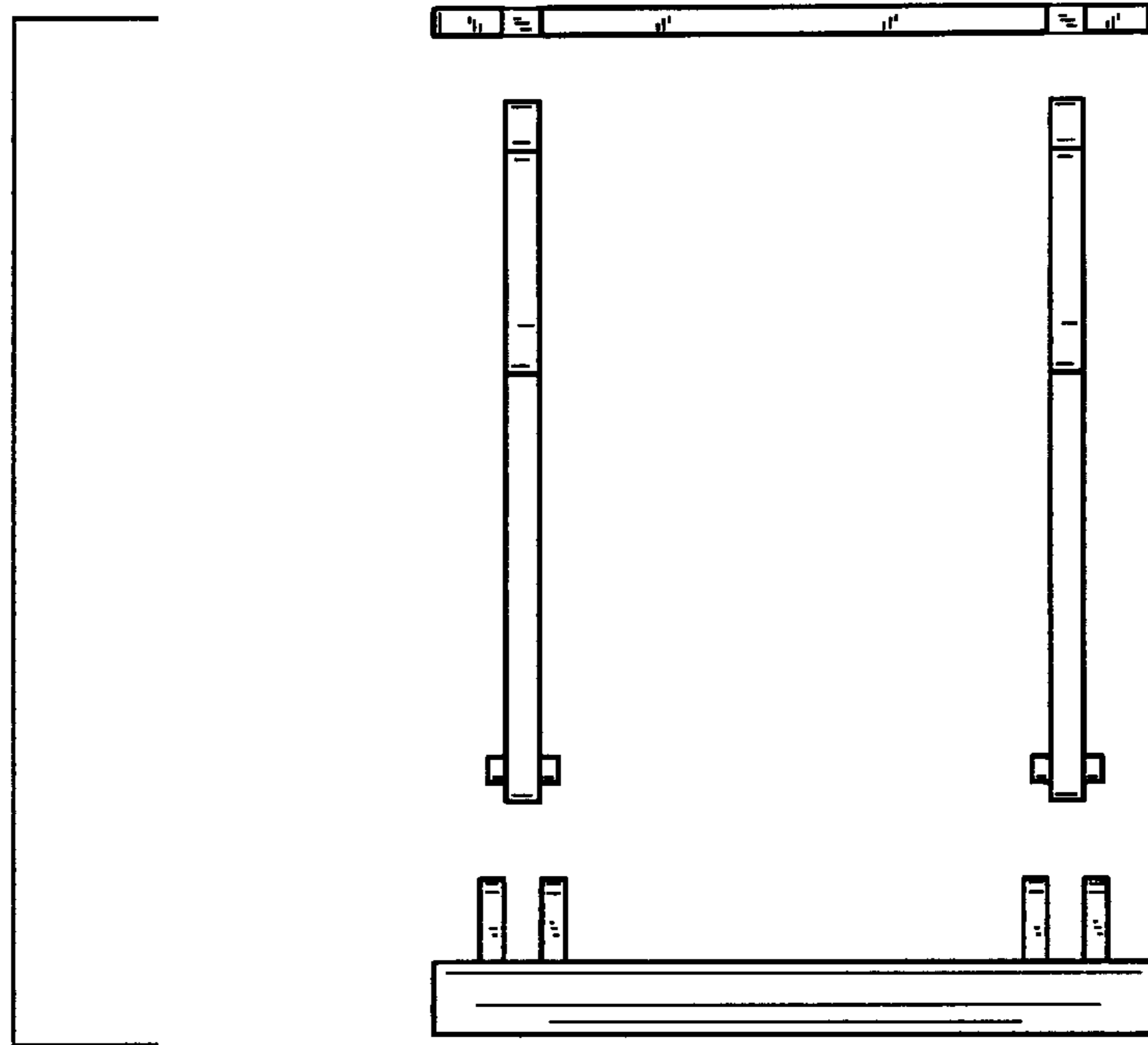


FIG. 7

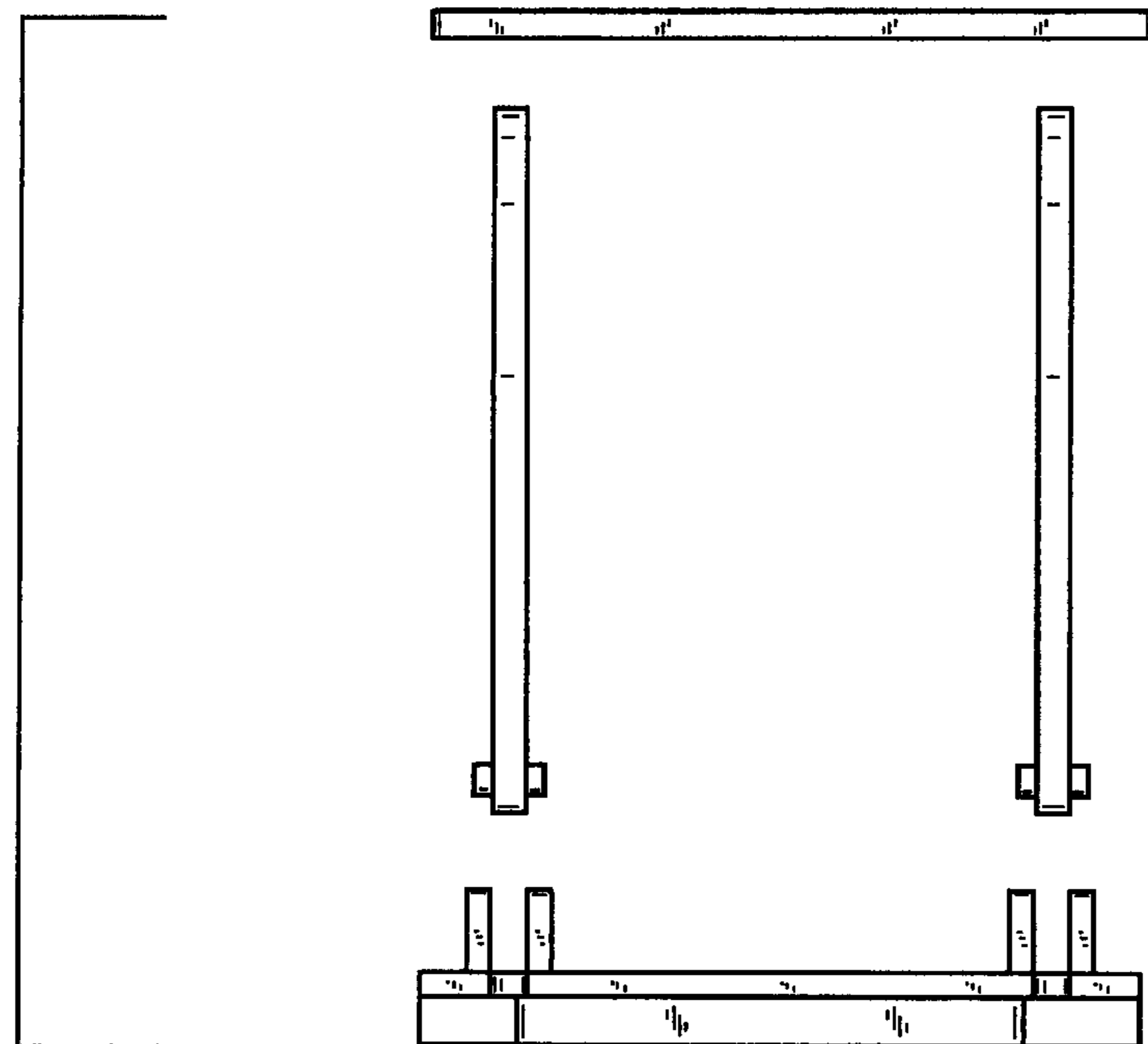




FIG. 8

