

US00D523153S

(12) **United States Design Patent**  
**Akashi et al.**

(10) **Patent No.:** **US D523,153 S**  
(45) **Date of Patent:** **\*\* Jun. 13, 2006**

(54) **MAIN PART FOR IMMUNITY ANALYSIS MACHINE**

(75) Inventors: **Takuya Akashi**, Musashino (JP); **Mitsuru Onuma**, Tokyo (JP); **Susumu Sakairi**, Hitachinaka (JP); **Shiho Tanaka**, Hitachinaka (JP); **Koichi Suzuki**, Hitachinaka (JP)

(73) Assignee: **Hitachi High-Technologies Corporation**, Tokyo (JP)

(\*\*) Term: **14 Years**

(21) Appl. No.: **29/219,642**

(22) Filed: **Dec. 21, 2004**

(30) **Foreign Application Priority Data**

Jul. 23, 2004 (JP) ..... 2004-022102

(51) **LOC (8) Cl.** ..... **24-02**

(52) **U.S. Cl.** ..... **D24/232; D10/81**

(58) **Field of Classification Search** ..... D10/81;  
D24/232-234; 198/468.3, 468.11; 356/445,  
356/448; 366/218; 422/56-58, 63-98, 100,  
422/105, 55, 59-62; 424/94.61; 435/85.1,  
435/28; 702/22

See application file for complete search history.

(56) **References Cited**

**U.S. PATENT DOCUMENTS**

D378,782 S \* 4/1997 LaBarbera et al. .... D24/232

D381,756 S \* 7/1997 Ohnuma et al. .... D24/232  
5,935,524 A \* 8/1999 Bass et al. .... 422/104  
6,180,409 B1 \* 1/2001 Howard et al. .... 422/65  
6,821,072 B1 \* 11/2004 Thiem et al. .... 422/65  
6,880,384 B1 \* 4/2005 Hvidtfeldt et al. .... 422/63  
6,887,428 B1 \* 5/2005 Wernz et al. .... 422/63  
6,962,821 B1 \* 11/2005 Danssaert et al. .... 422/63

\* cited by examiner

*Primary Examiner*—Antoine D. Davis

(74) *Attorney, Agent, or Firm*—Antonelli, Terry, Stout and Kraus, LLP

(57) **CLAIM**

We claim the ornamental design for a main part for immunity analysis machine, as shown.

**DESCRIPTION**

FIG. 1 is a front, top and right side perspective view of a main part for immunity analysis machine showing our new design;

FIG. 2 is a front elevational view thereof;

FIG. 3 is a rear elevational view thereof;

FIG. 4 is a right side elevational view thereof;

FIG. 5 is a left side elevational view thereof;

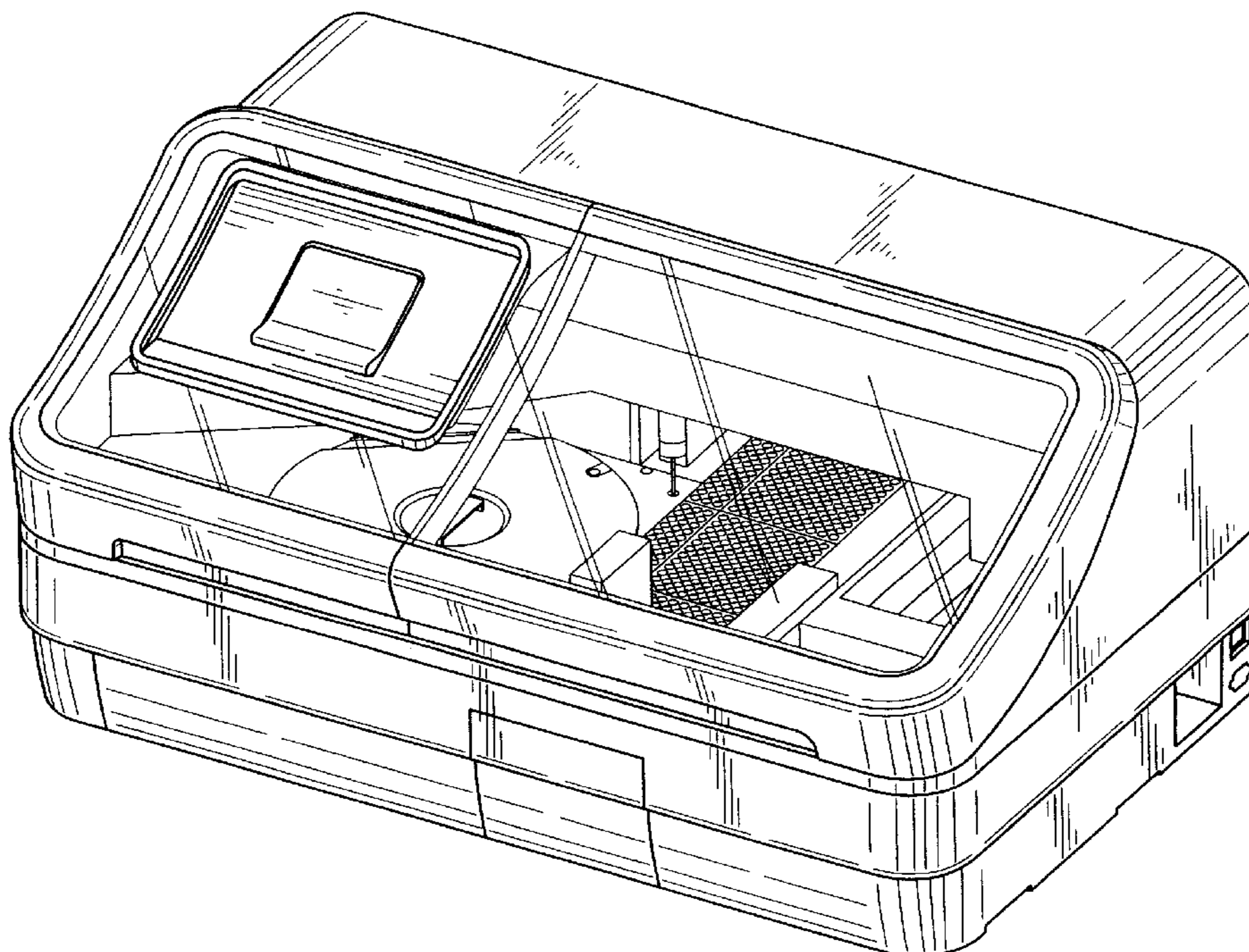
FIG. 6 is a top plan elevational view thereof;

FIG. 7 is a bottom plan elevational view thereof;

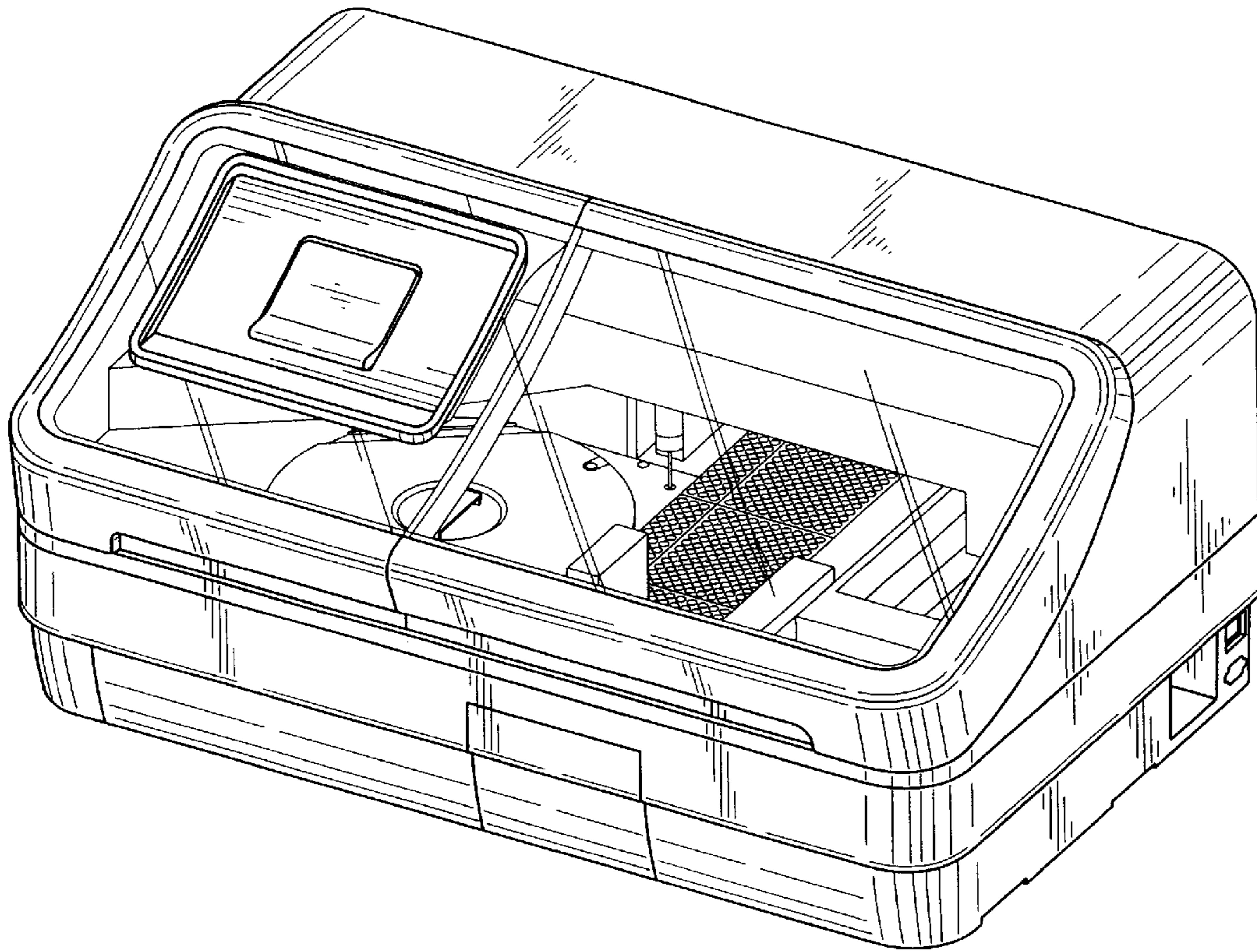
FIG. 8 is a front, top and right side perspective view thereof with the covers opened; and,

FIG. 9 is a front, top and right side perspective view thereof in using condition with a monitor.

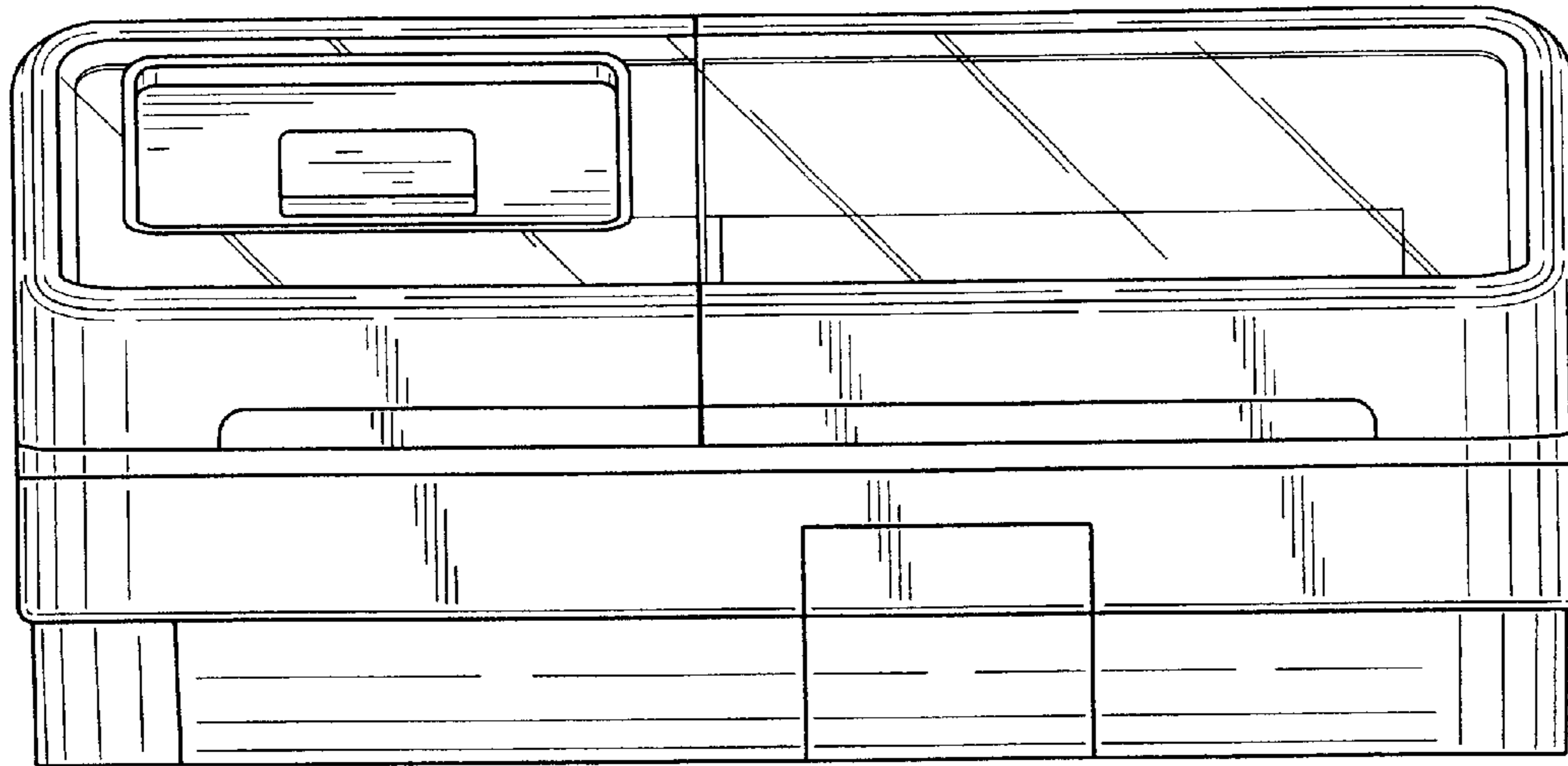
**1 Claim, 6 Drawing Sheets**



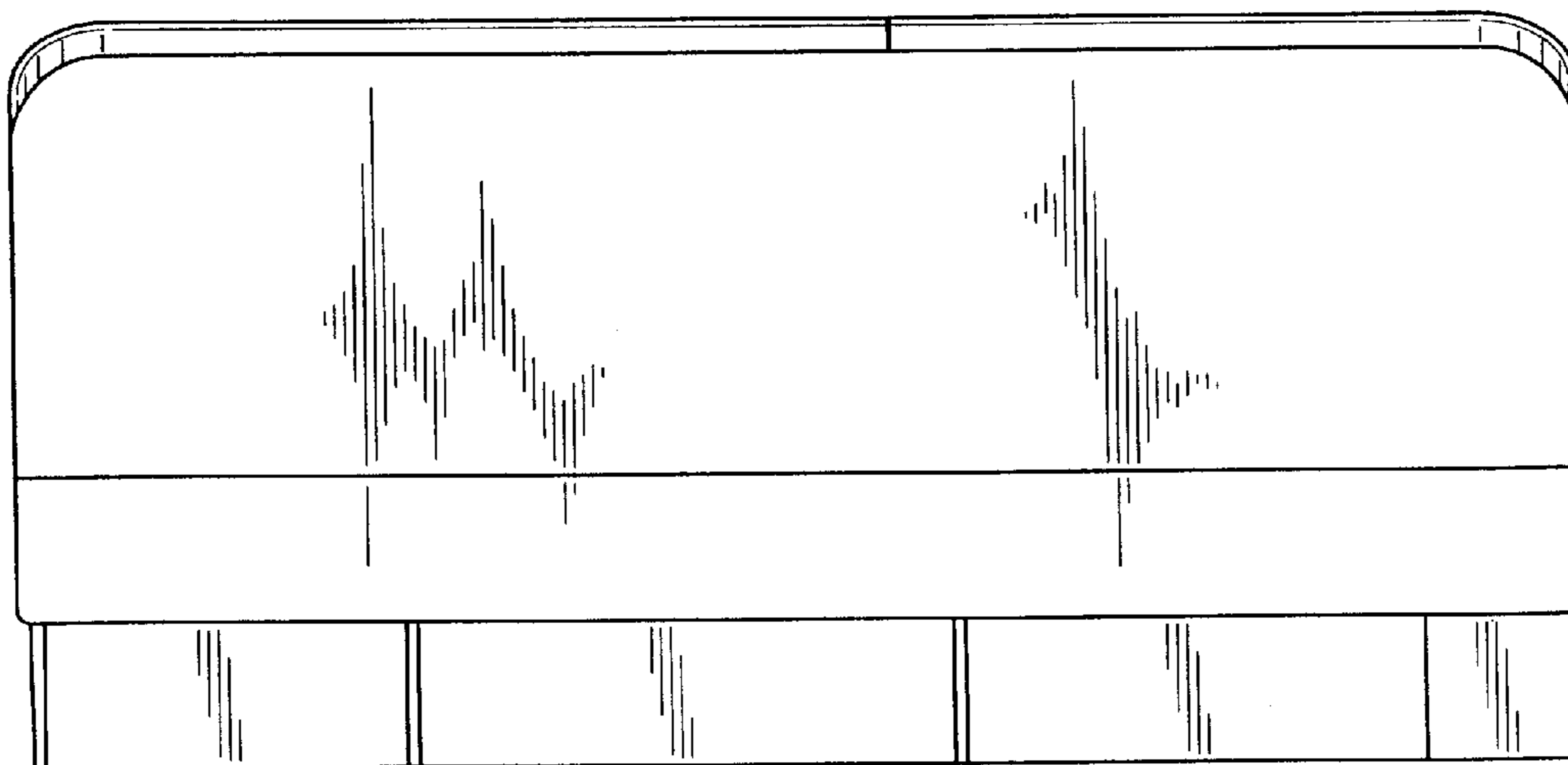
*FIG. 1*



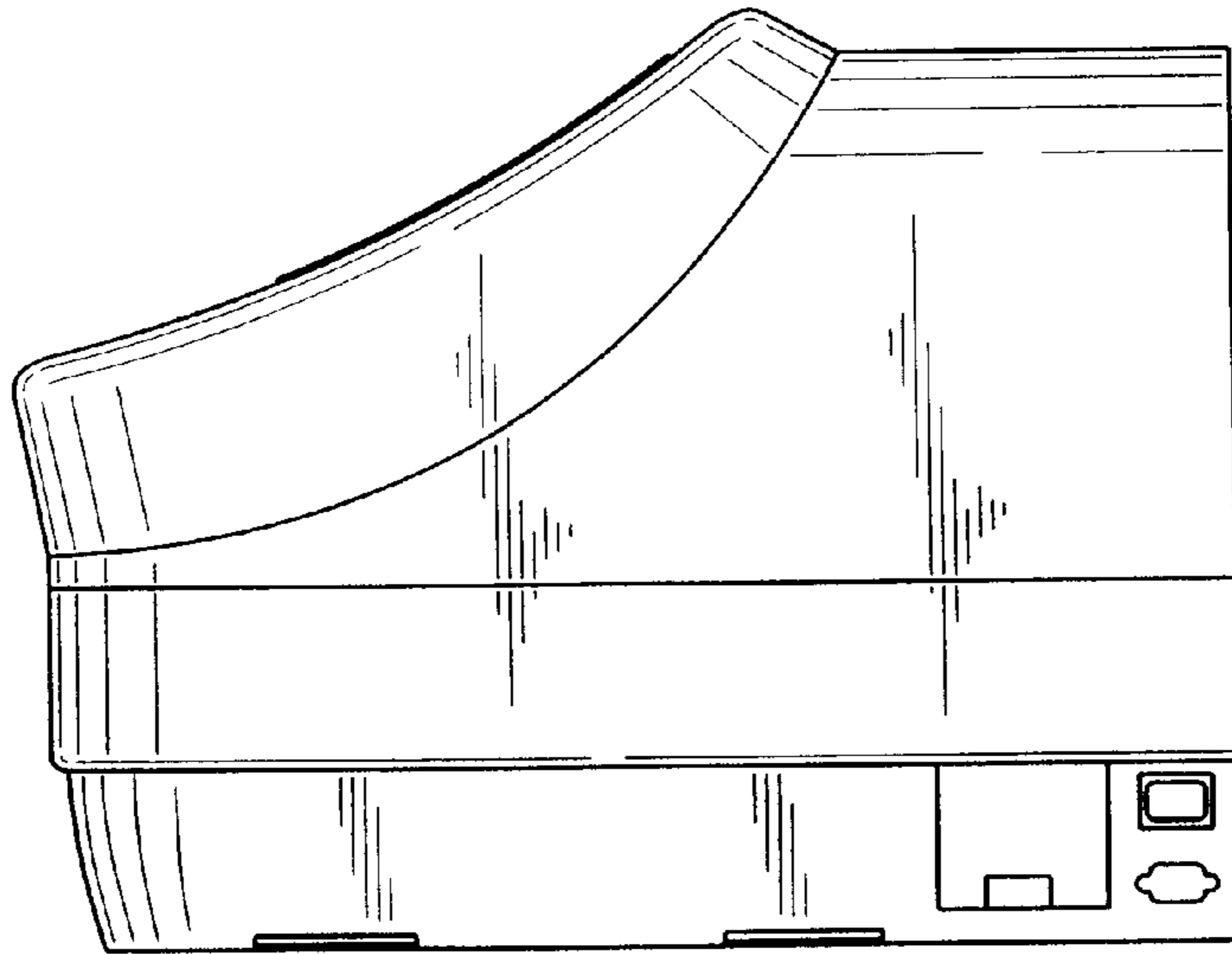
*FIG. 2*



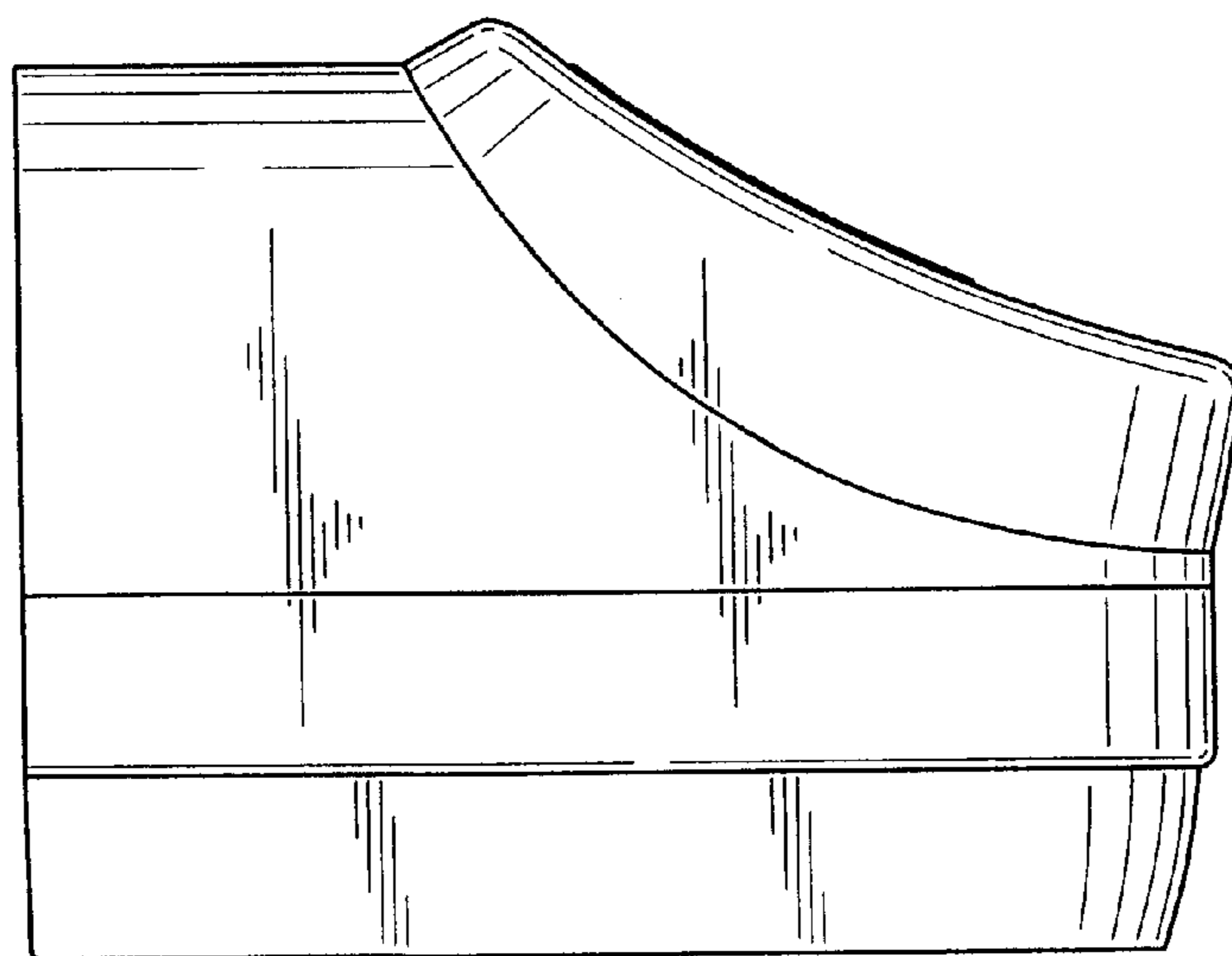
*FIG. 3*



*FIG. 4*

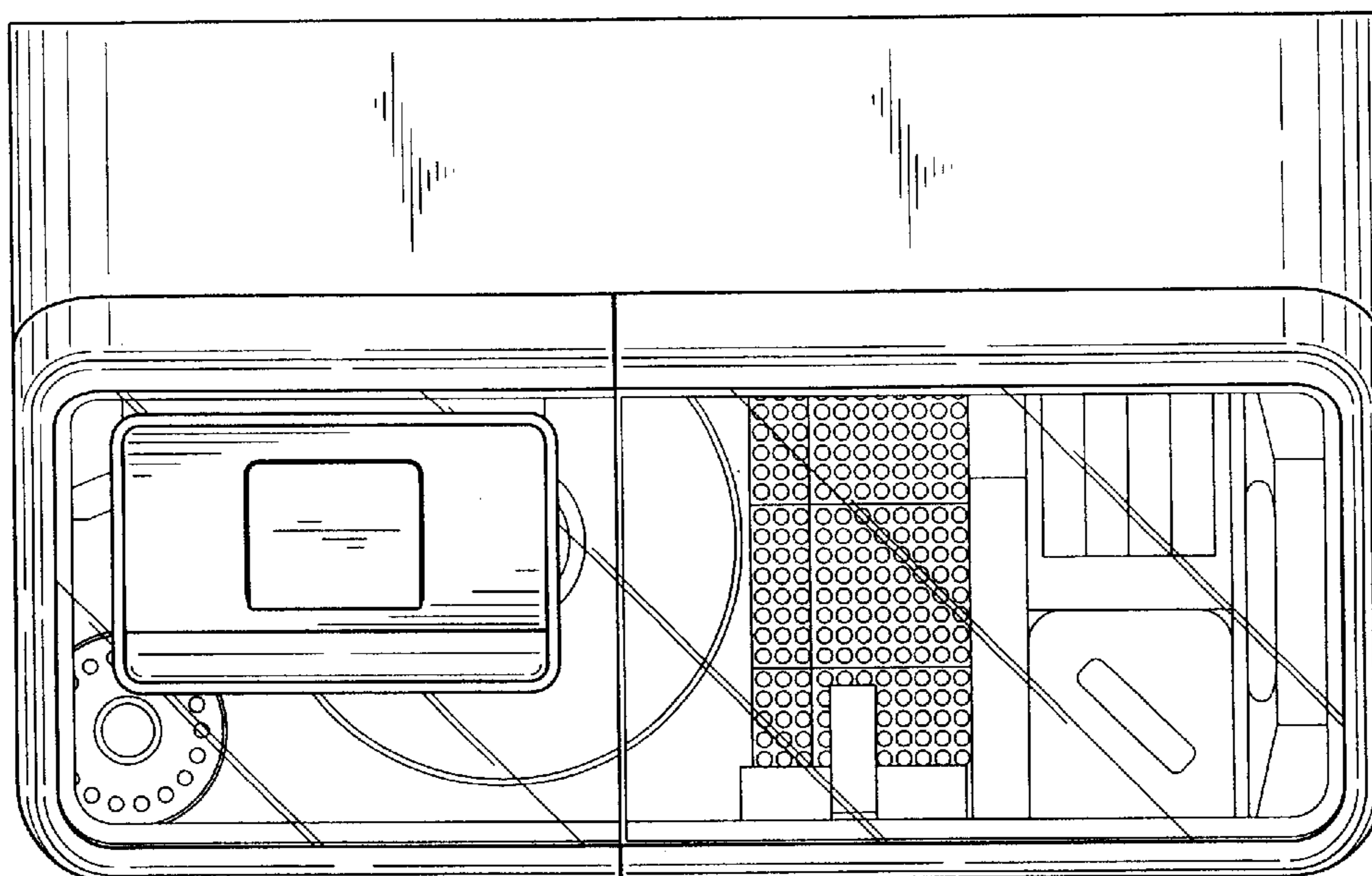


*FIG. 5*





*FIG. 6*



*FIG. 7*

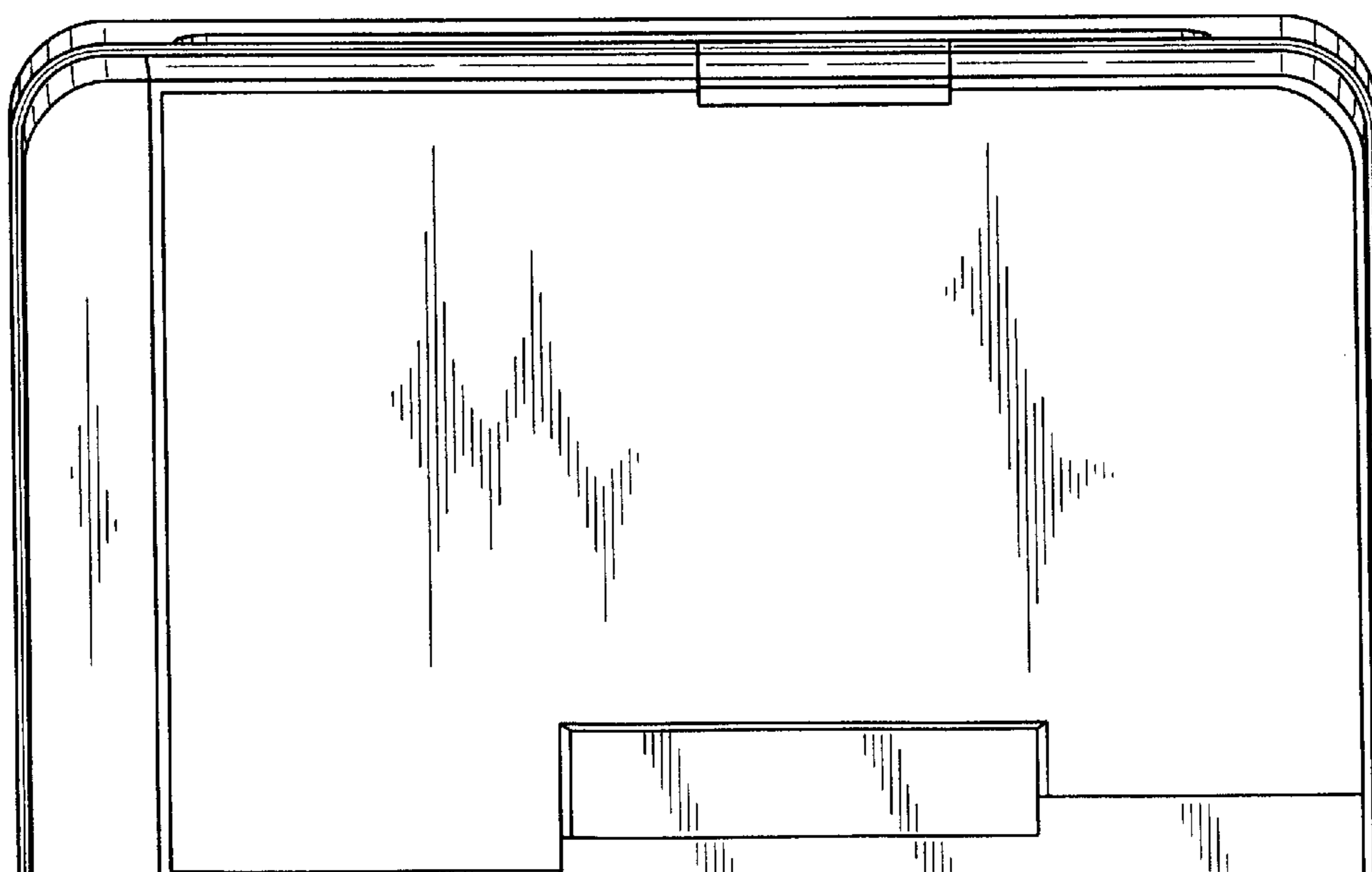


FIG. 8

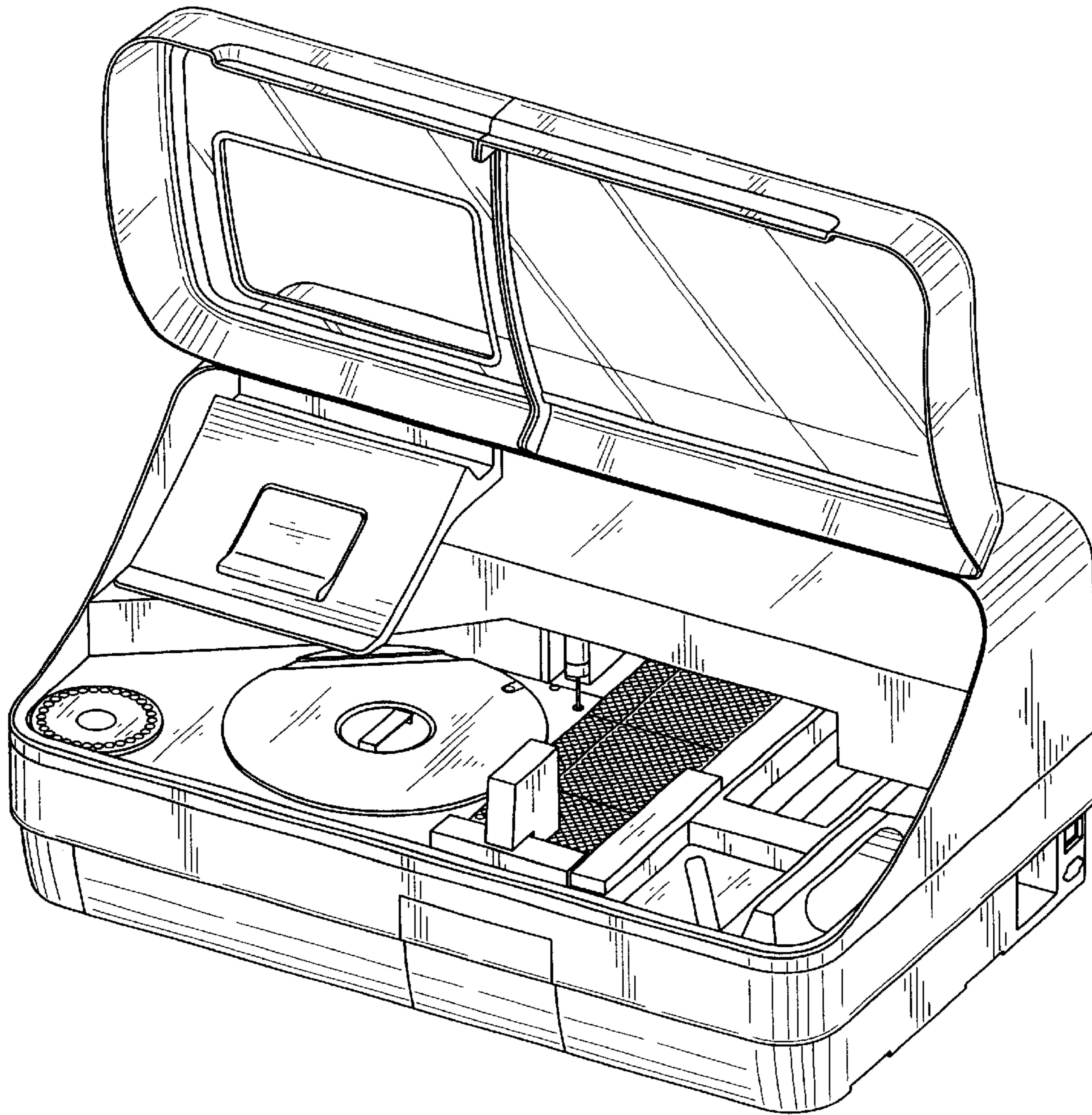


FIG. 9

