



US00D523145S

(12) **United States Design Patent**  
**Gabrielsson et al.**

(10) **Patent No.:** **US D523,145 S**

(45) **Date of Patent:** **\*\* Jun. 13, 2006**

(54) **IMPRESSION COPING FOR DENTAL  
IMPLANT PROSTHETIC**

(75) Inventors: **Eva Gabrielsson**, Göteborg (SE);  
**Emad Ramzi**, Mölndal (SE)

(73) Assignee: **ASTRA Tech AB**, Molndal (SE)

(\*\*) Term: **14 Years**

(21) Appl. No.: **29/227,417**

(22) Filed: **Apr. 12, 2005**

(30) **Foreign Application Priority Data**

Oct. 13, 2004 (EM) ..... 000240007

(51) **LOC (8) Cl.** ..... **24-03**

(52) **U.S. Cl.** ..... **D24/156**

(58) **Field of Classification Search** ..... D24/152,  
D24/155-157, 190-192, 199, 180-182; 433/172-174,  
433/193, 102, 3, 50, 53, 114, 141, 144, 167,  
433/168.1, 196; 606/1, 2, 108, 2.5, 161; 435/141-142  
See application file for complete search history.

(56) **References Cited**

**U.S. PATENT DOCUMENTS**

D270,090 S *	8/1983	Jennings	.....	D24/155
D292,021 S *	9/1987	Stoll	.....	D24/140
D355,487 S *	2/1995	Broberg	.....	D24/156
D370,978 S *	6/1996	Broberg et al.	.....	D24/156
6,227,856 B1 *	5/2001	Beaty et al.	.....	433/172
6,488,501 B1 *	12/2002	Harding	.....	433/173
D469,865 S *	2/2003	Bar-Or	.....	D24/108
6,824,386 B1	11/2004	Halldin et al.		
6,951,460 B1 *	10/2005	Halldin et al.	.....	433/173
2004/0185417 A1 *	9/2004	Rassoli	.....	433/173

**FOREIGN PATENT DOCUMENTS**

GB 2021261 \* 3/1993

\* cited by examiner

*Primary Examiner*—Charles A. Rademaker  
*(74) Attorney, Agent, or Firm*—Birch, Stewart, Kolasch & Birch, LLP

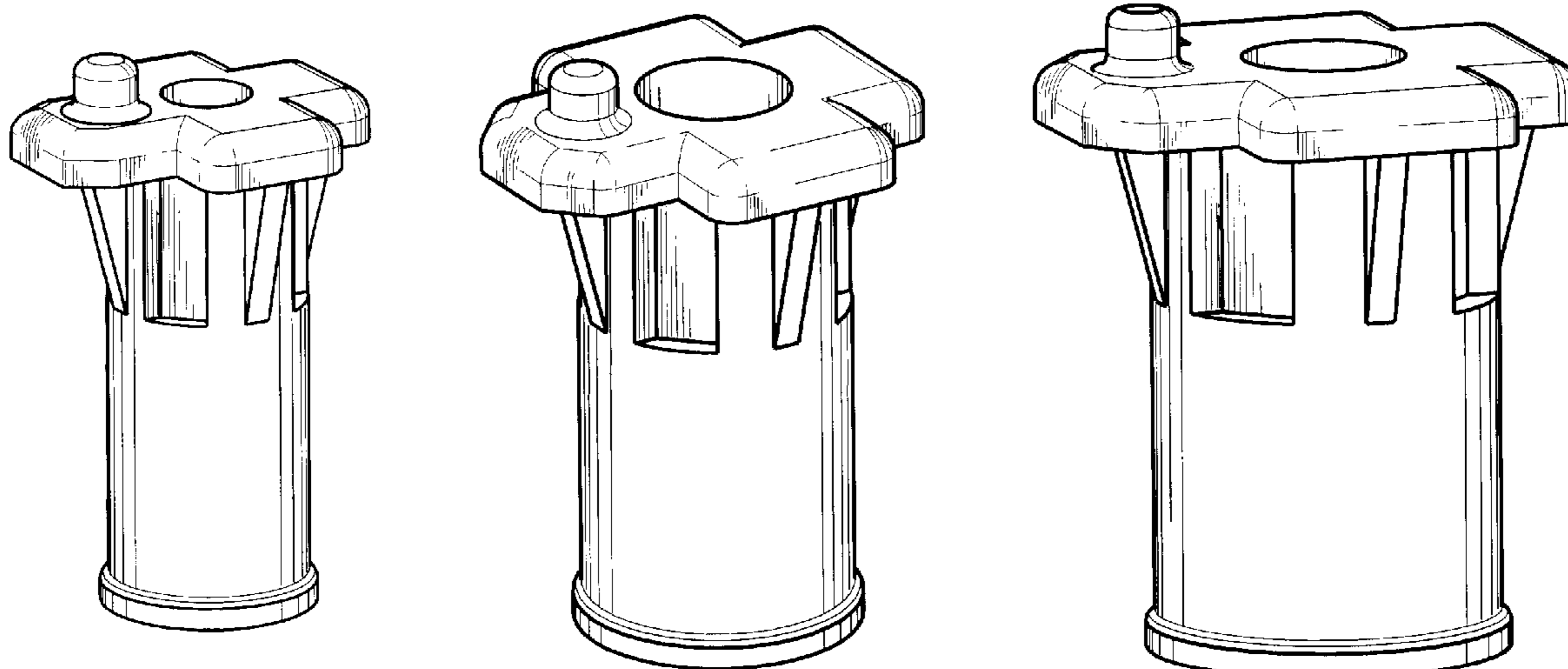
(57) **CLAIM**

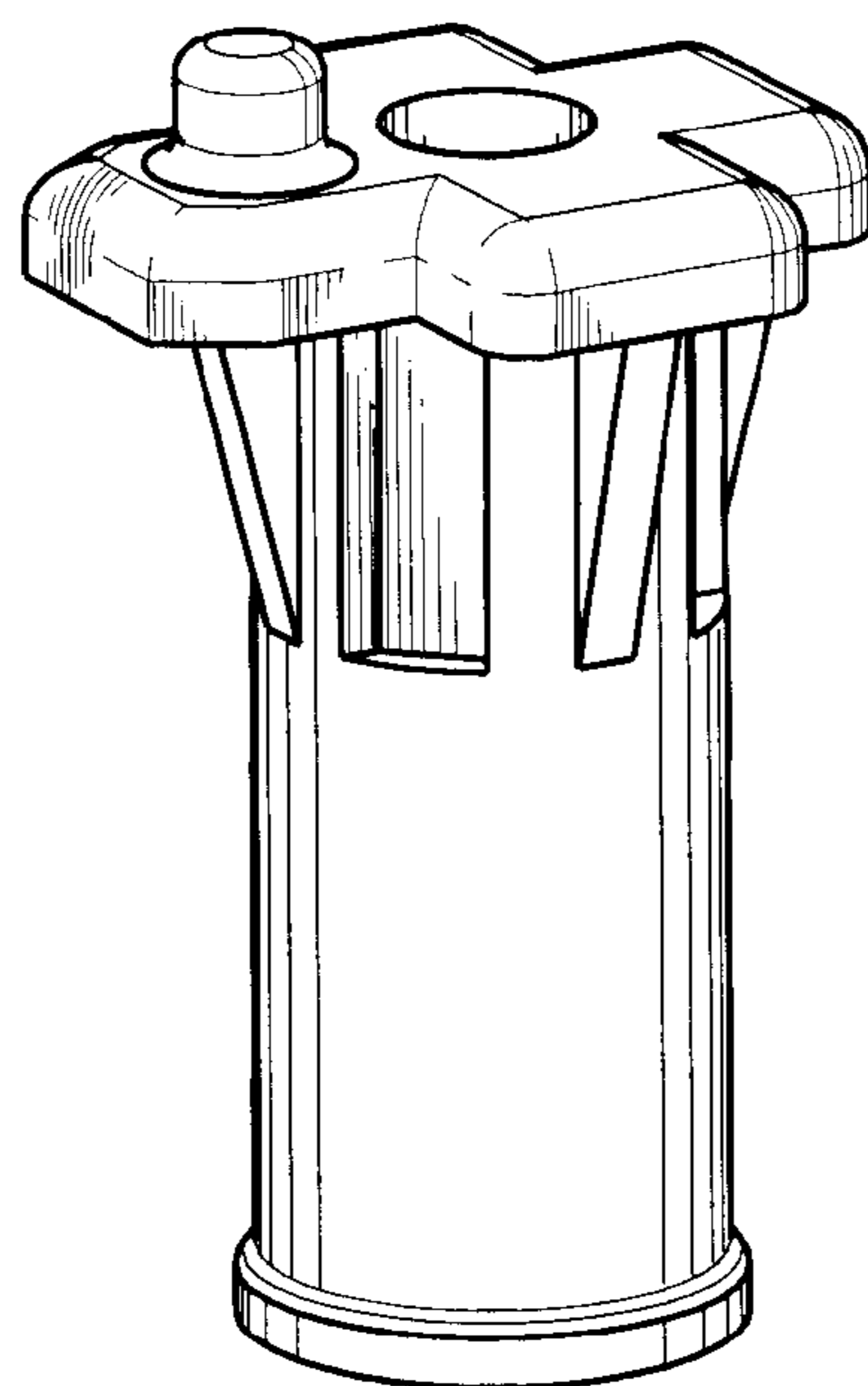
The ornamental design for an impression coping for dental implant prosthetic, as shown and described.

**DESCRIPTION**

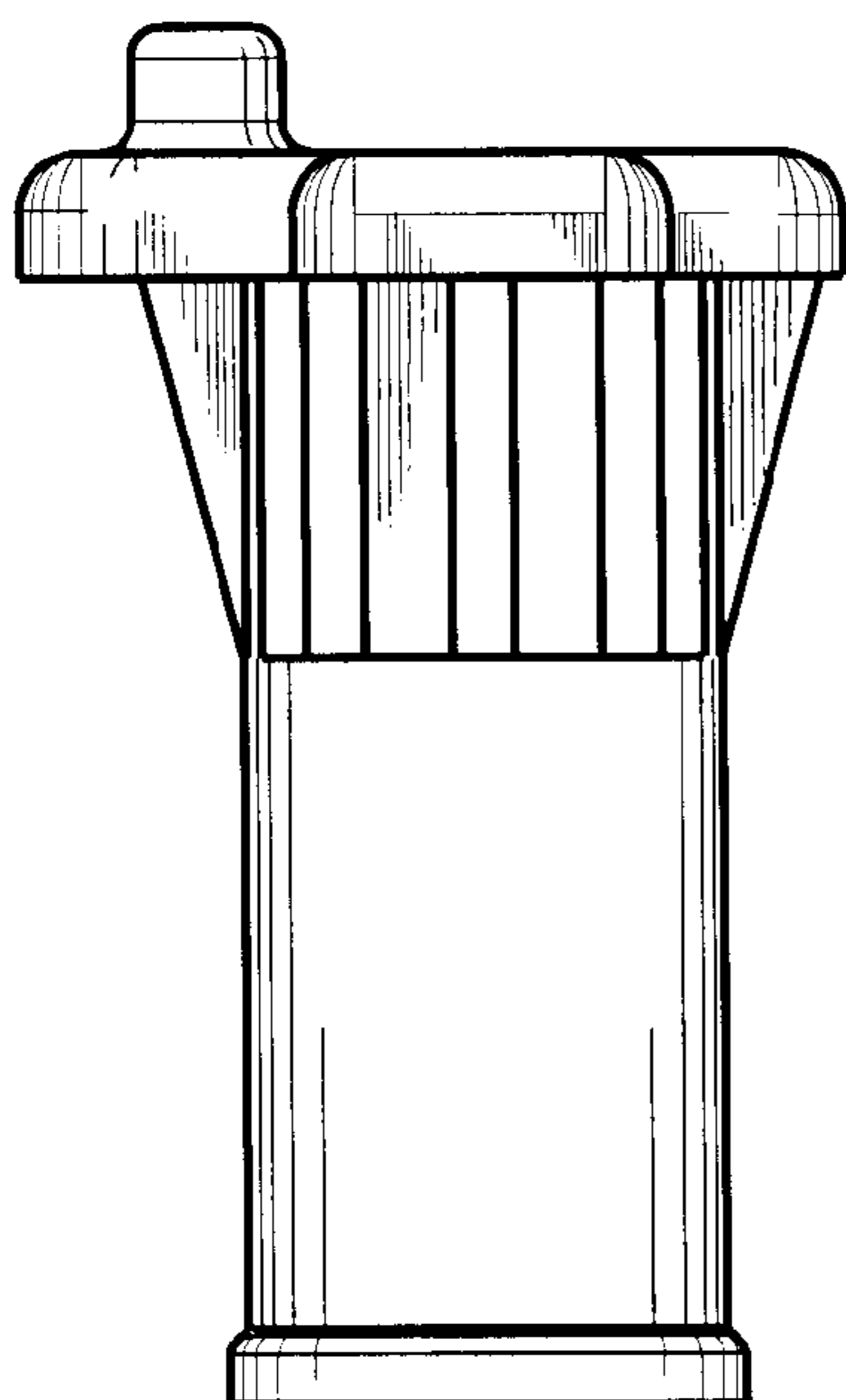
FIG. 1 is a perspective view of an impression coping for dental implant prosthetic showing our new design; FIG. 2 is a right side elevational view thereof; FIG. 3 is a rear elevational view thereof; FIG. 4 is a front plan view thereof; FIG. 5 is a left side elevational view thereof; FIG. 6 is a top plan view thereof; FIG. 7 is a bottom plan view thereof; FIG. 8 is a perspective view of a second variant of an impression coping for dental implant prosthetic showing our new design; FIG. 9 is a rear plan view thereof; FIG. 10 is a left side elevational view thereof; FIG. 11 is a right side elevational view thereof; FIG. 12 is a front elevational view thereof; FIG. 13 is a top plan view thereof; FIG. 14 is a bottom plan view thereof; FIG. 15 is a perspective view of a third variant of an impression coping for dental implant prosthetic showing our new design; FIG. 16 is a rear plan view thereof; FIG. 17 is a right side elevational view thereof; FIG. 18 is a left side elevational view thereof; FIG. 19 is a front elevational view thereof; FIG. 20 is a top plan view thereof; and, FIG. 21 is a bottom plan view thereof.

**1 Claim, 6 Drawing Sheets**

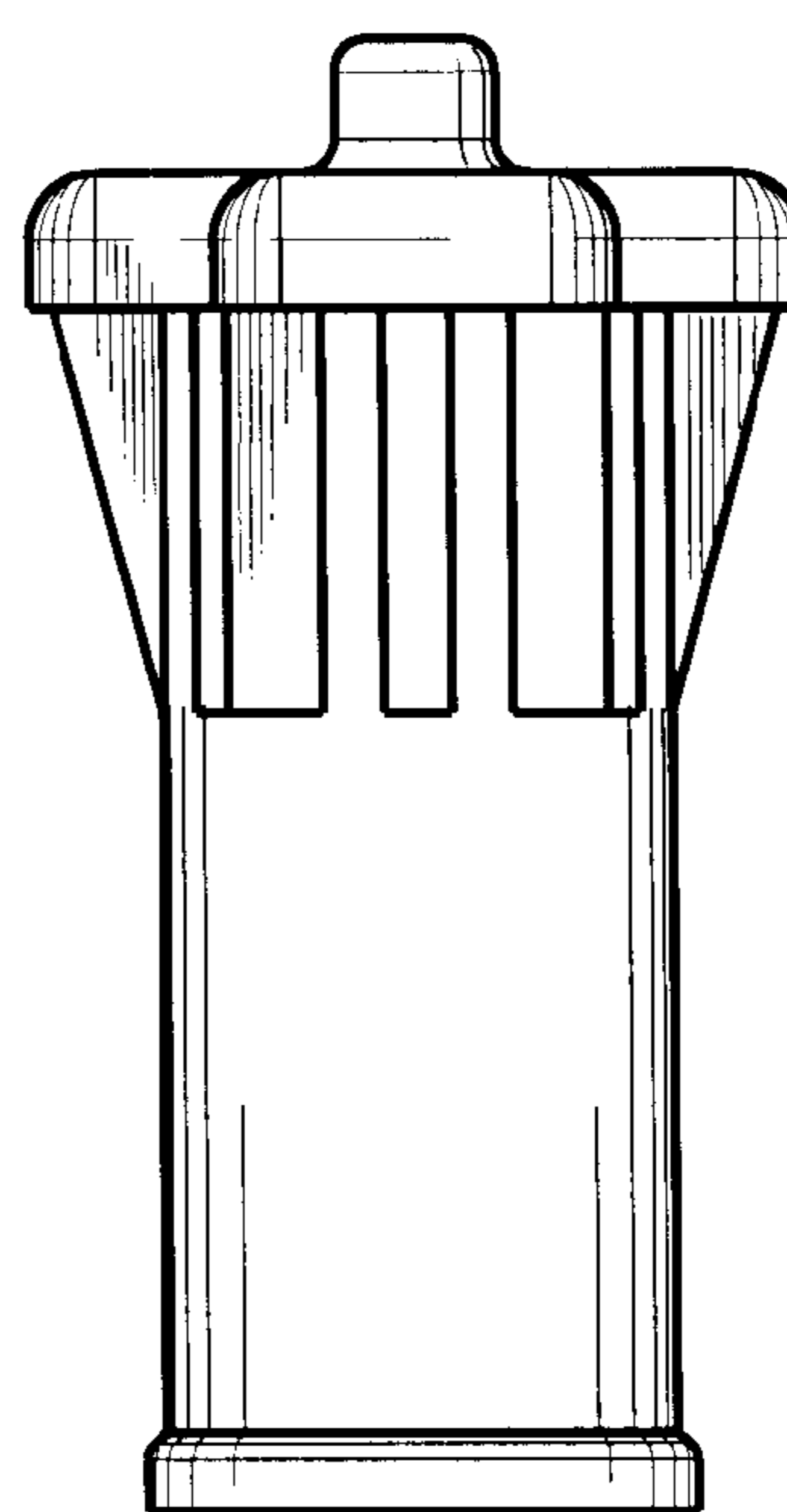




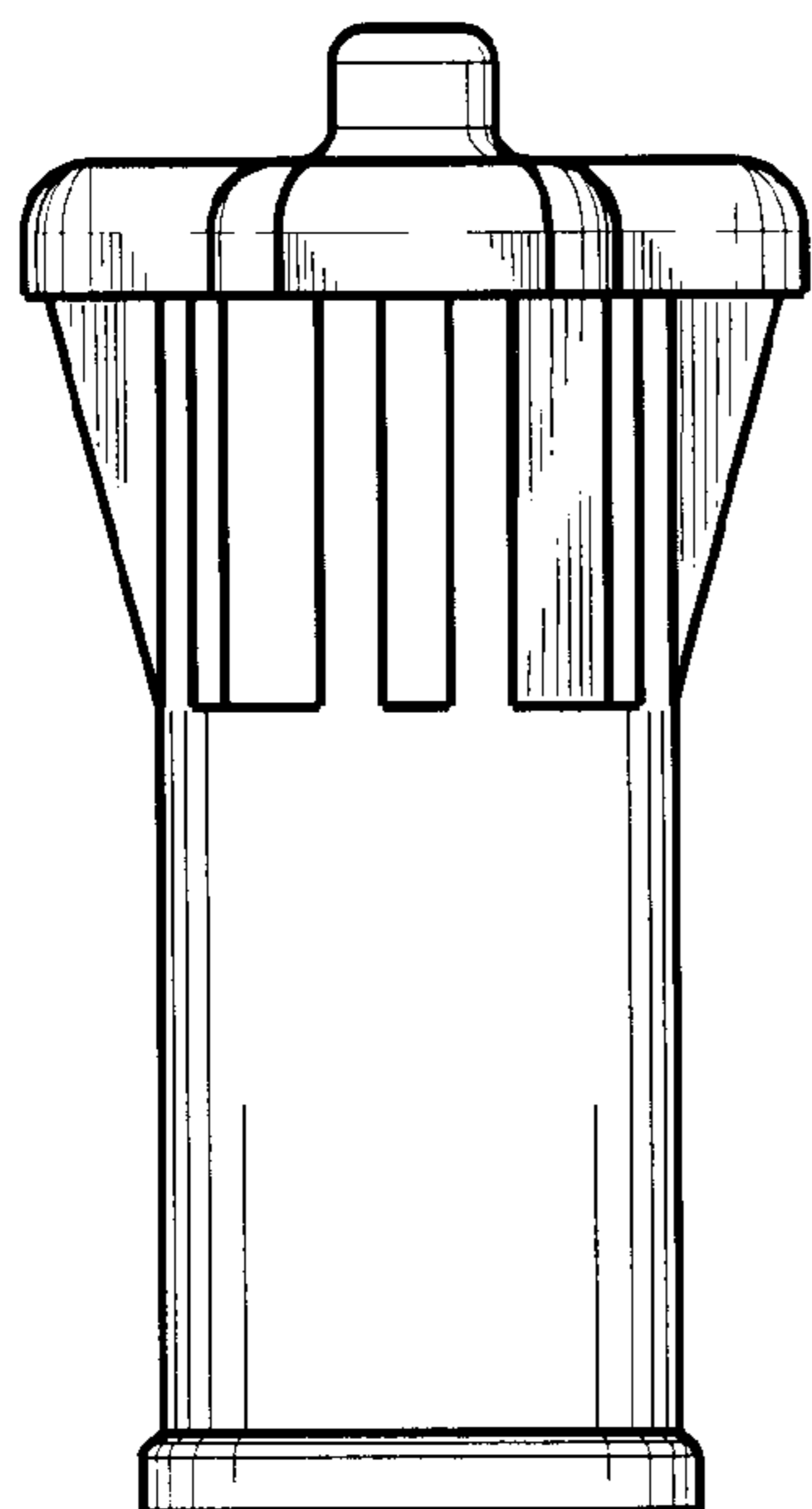
*Fig. 1*



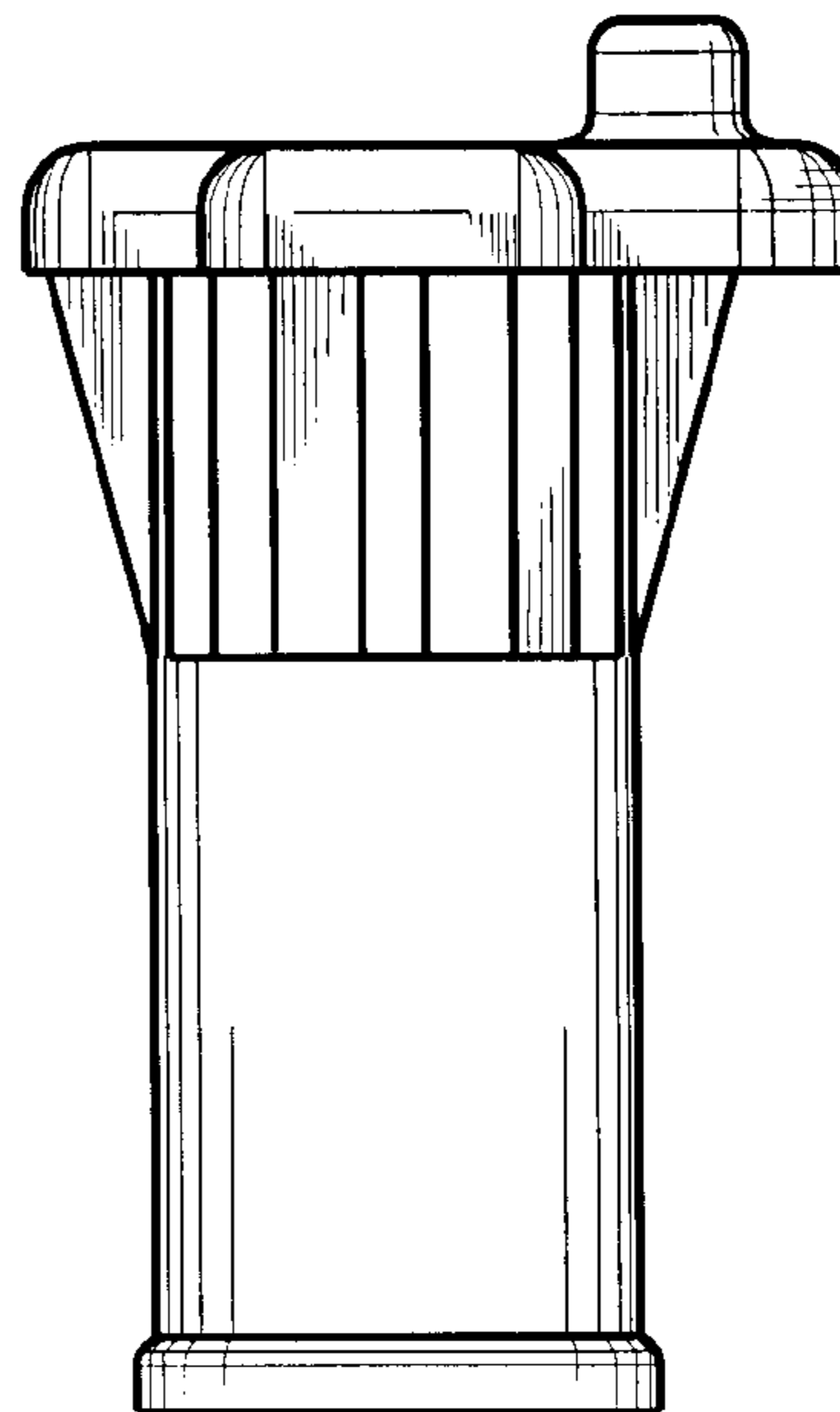
*Fig. 2*



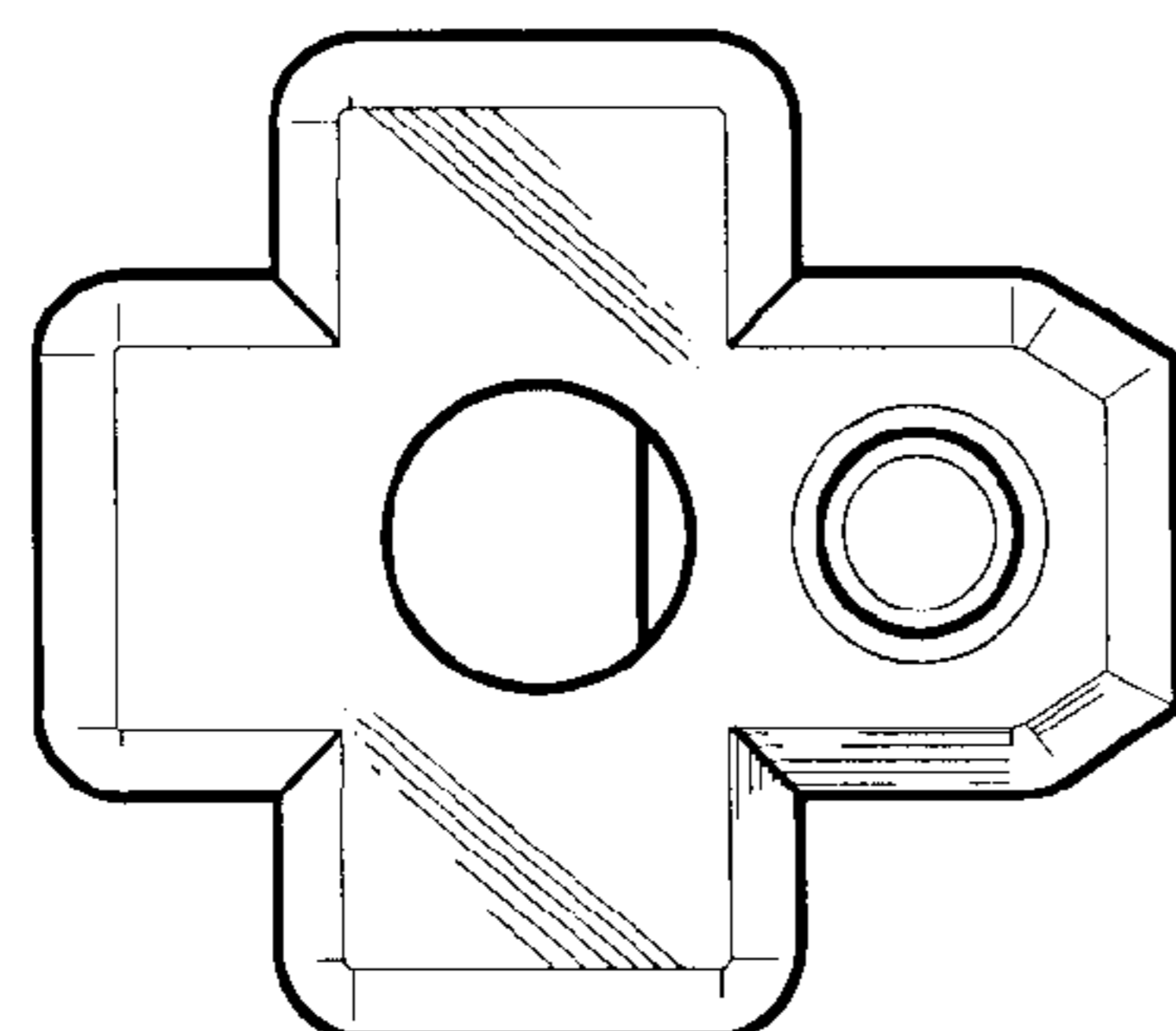
*Fig. 3*



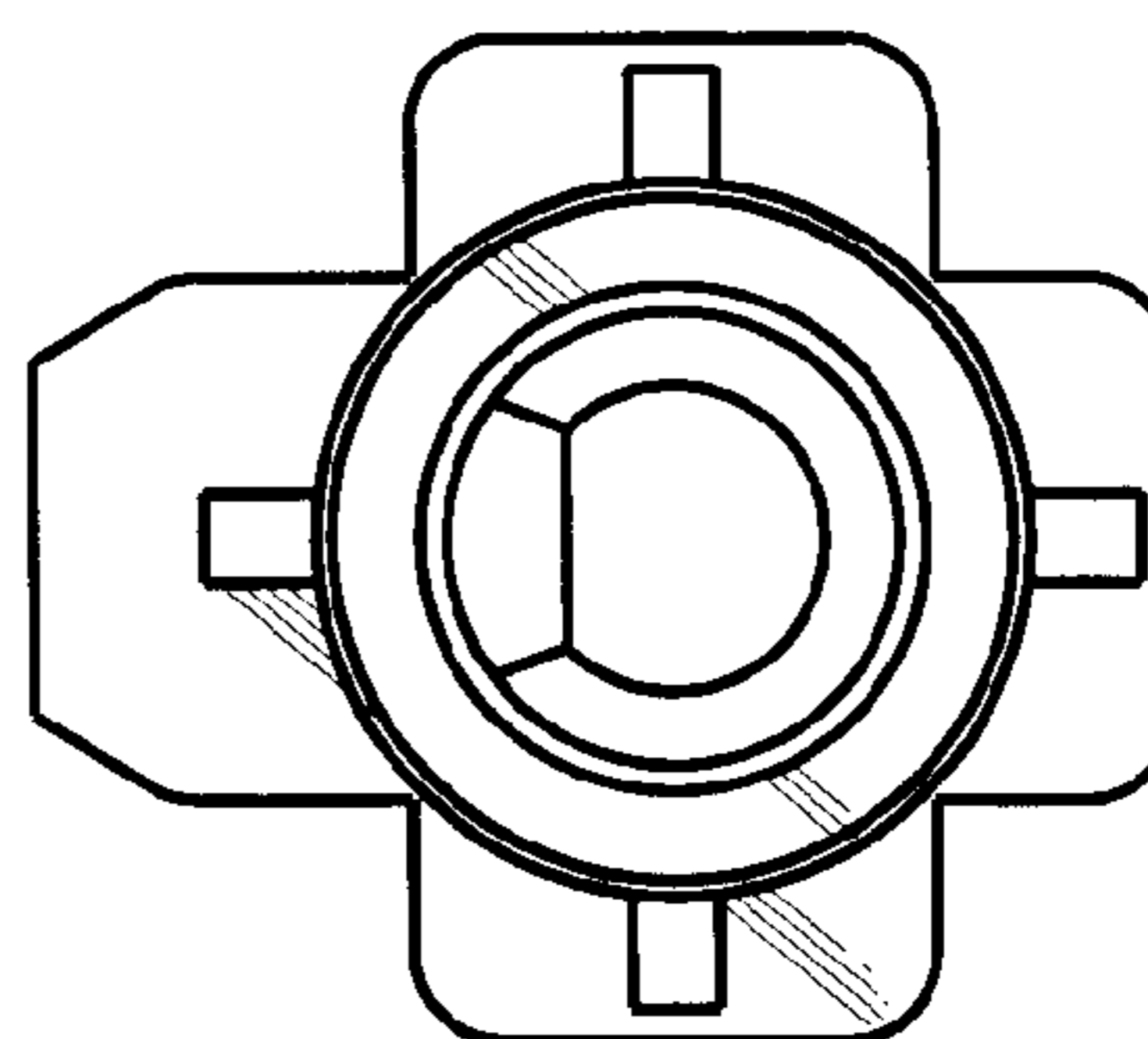
*Fig. 4*



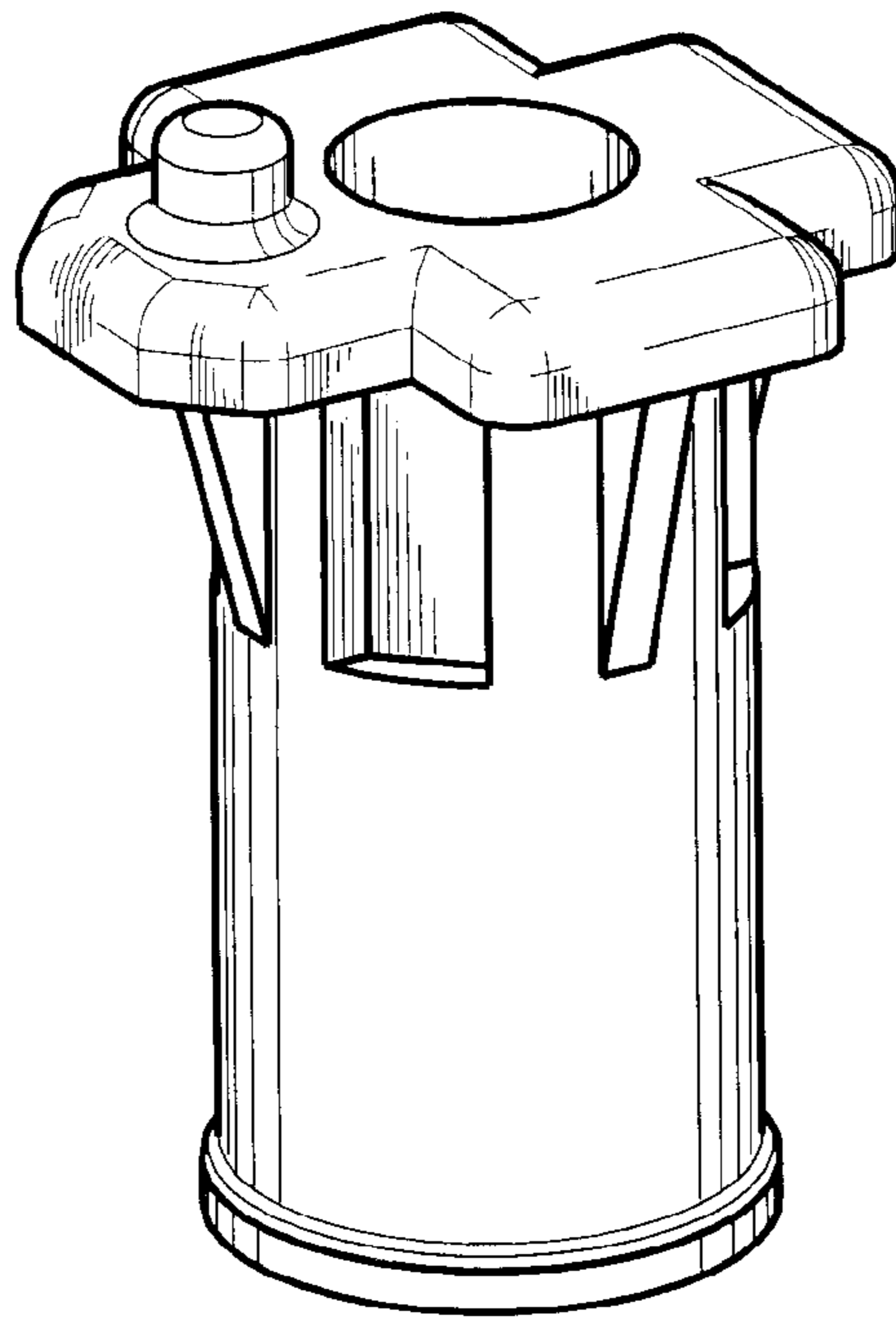
*Fig. 5*



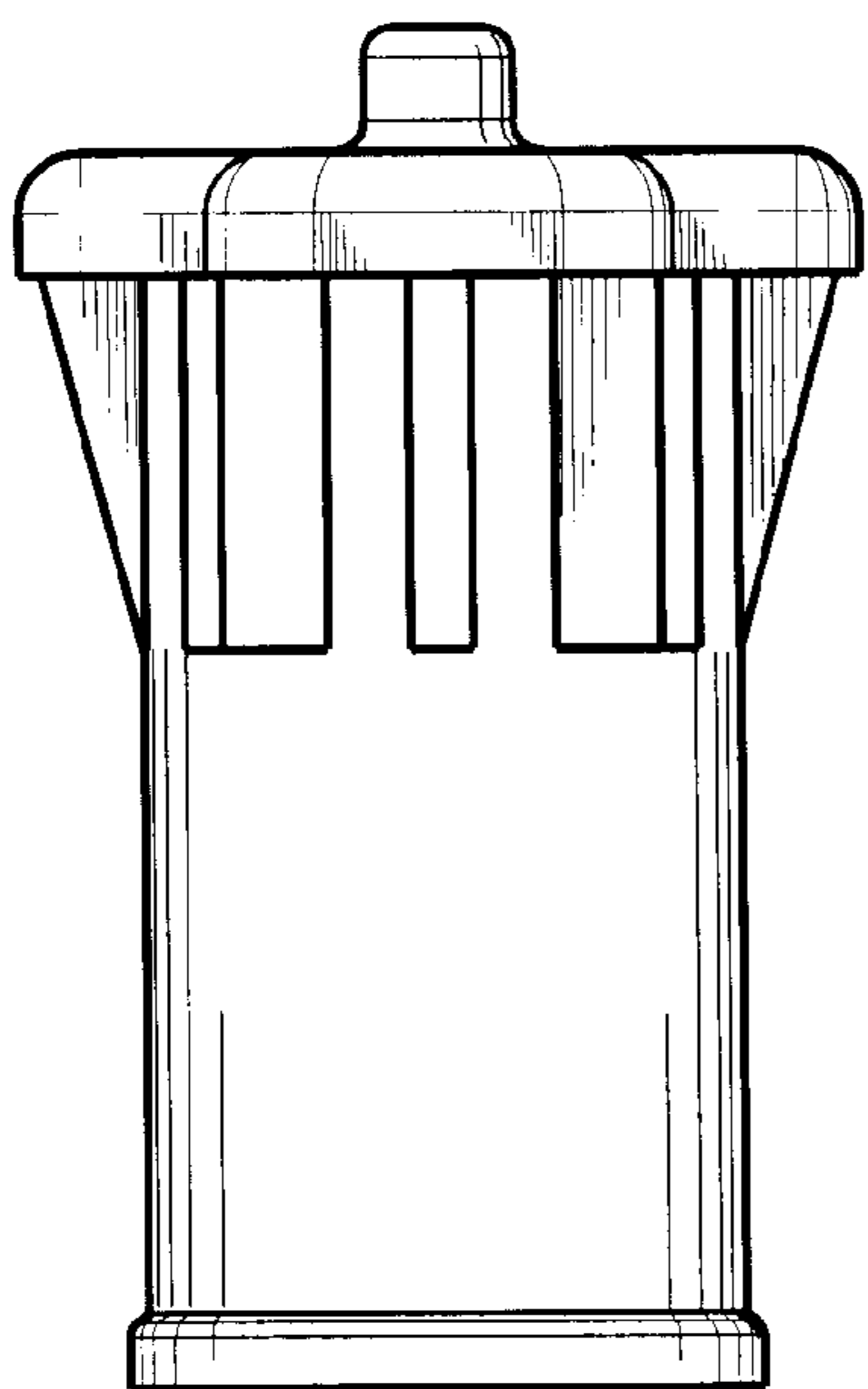
*Fig. 6*



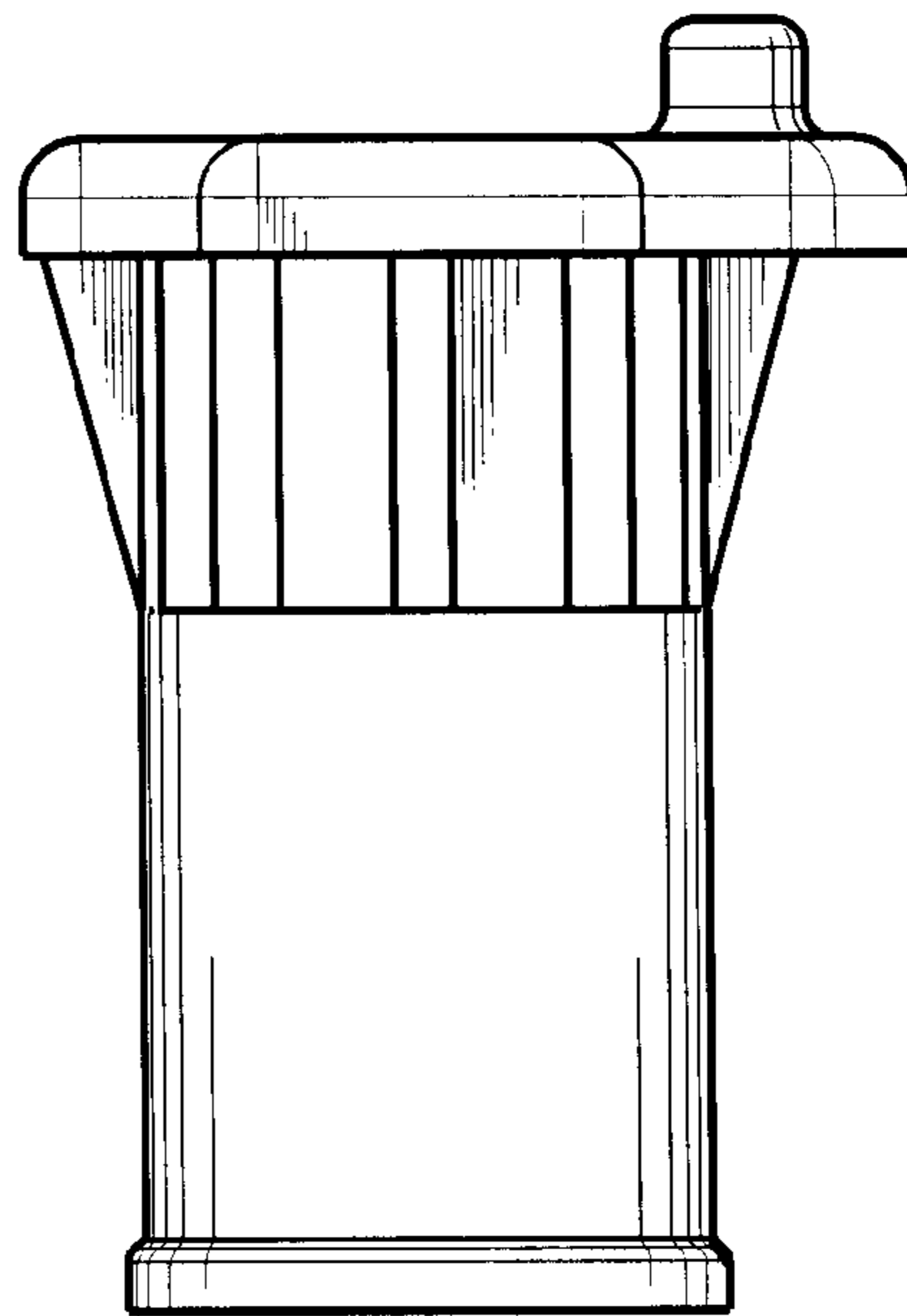
*Fig. 7*



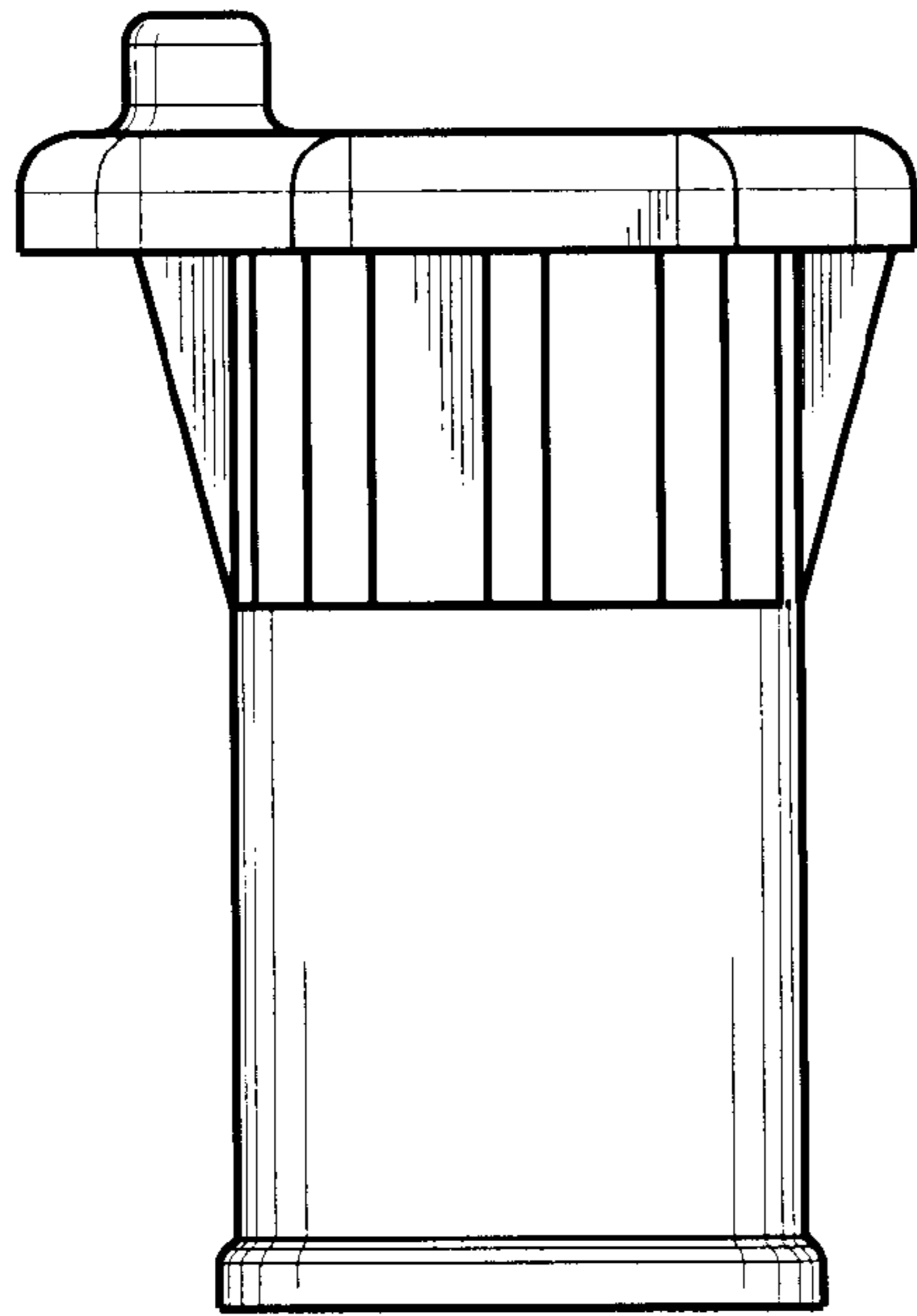
*Fig. 8*



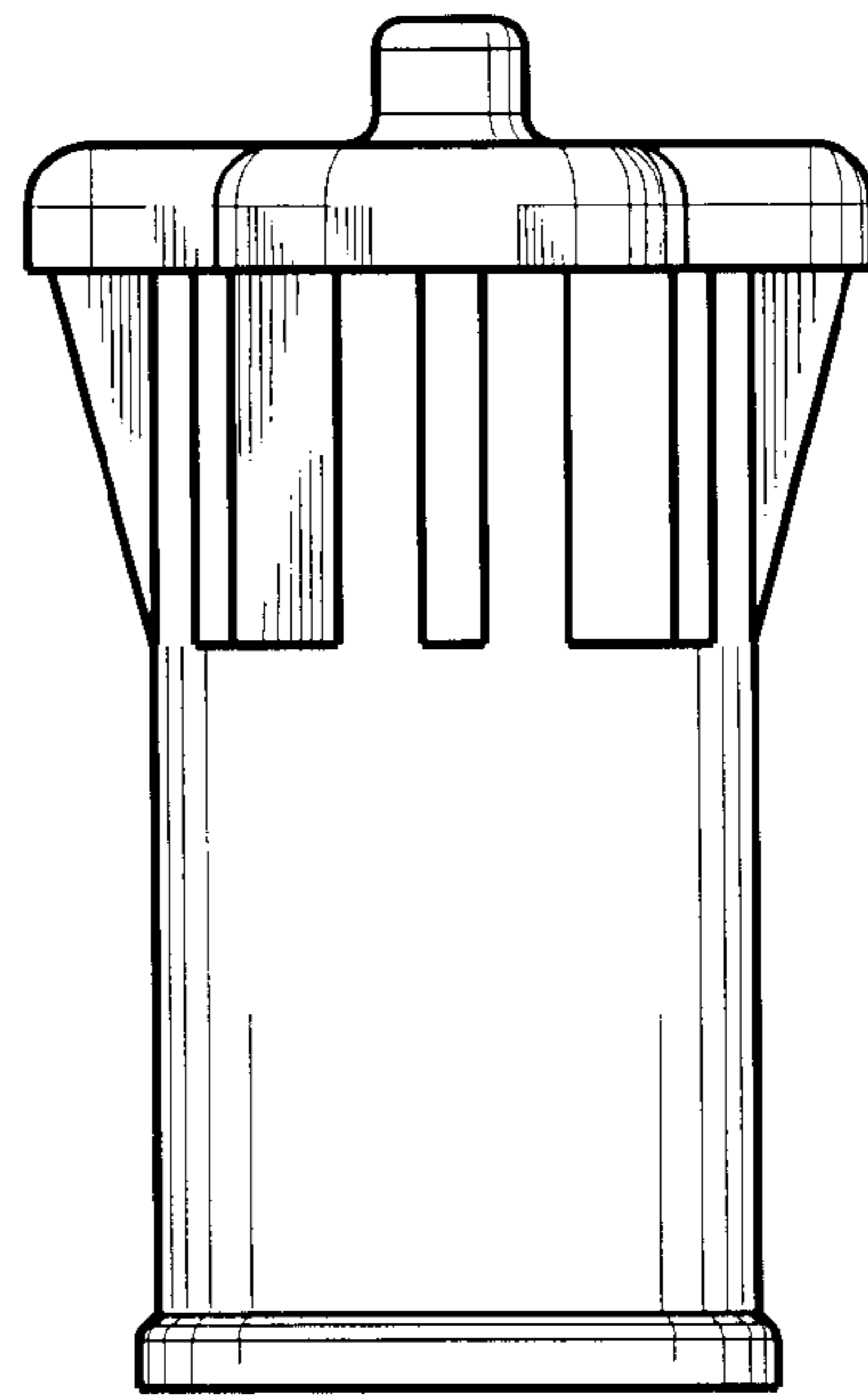
*Fig. 9*



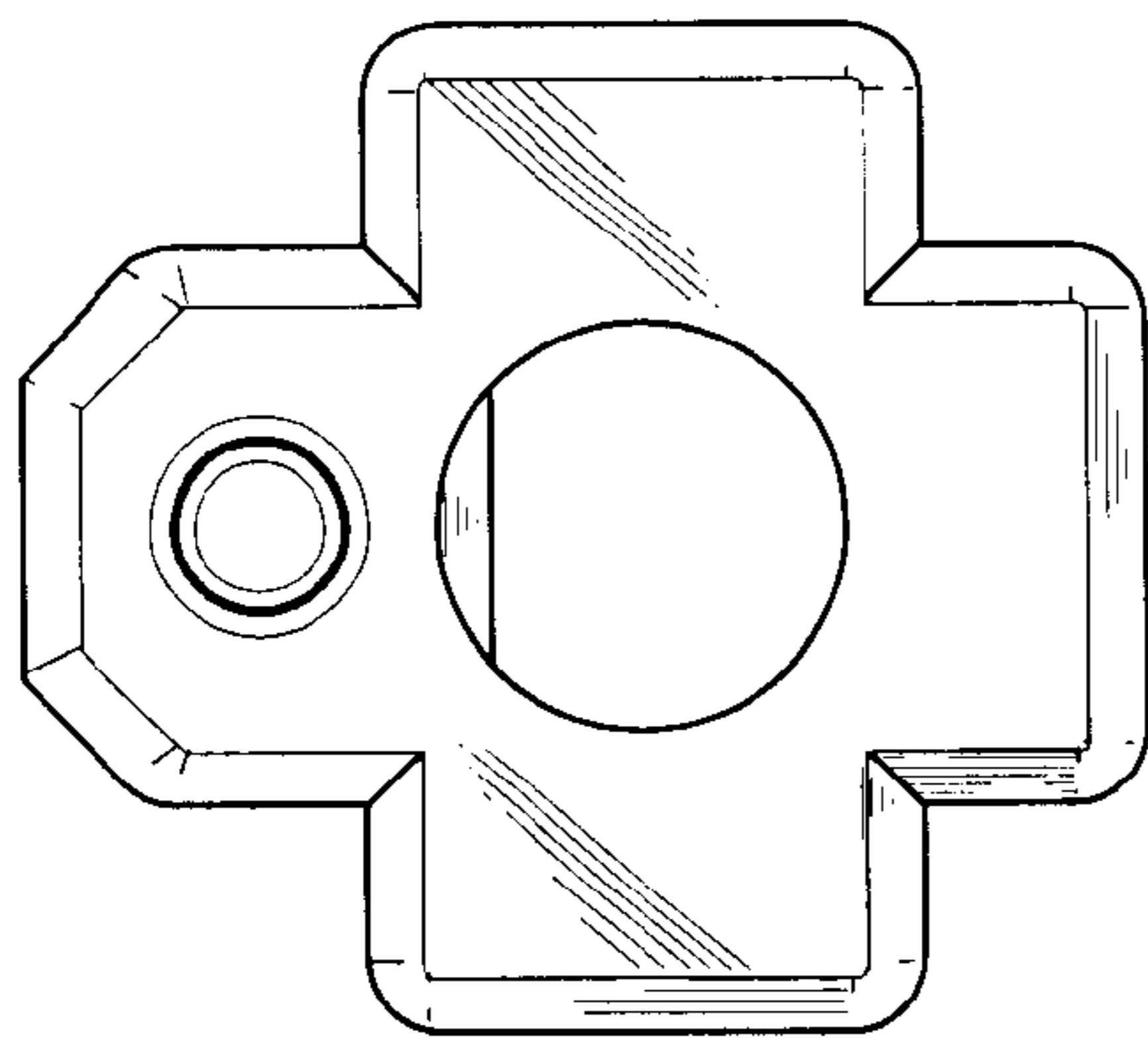
*Fig. 10*



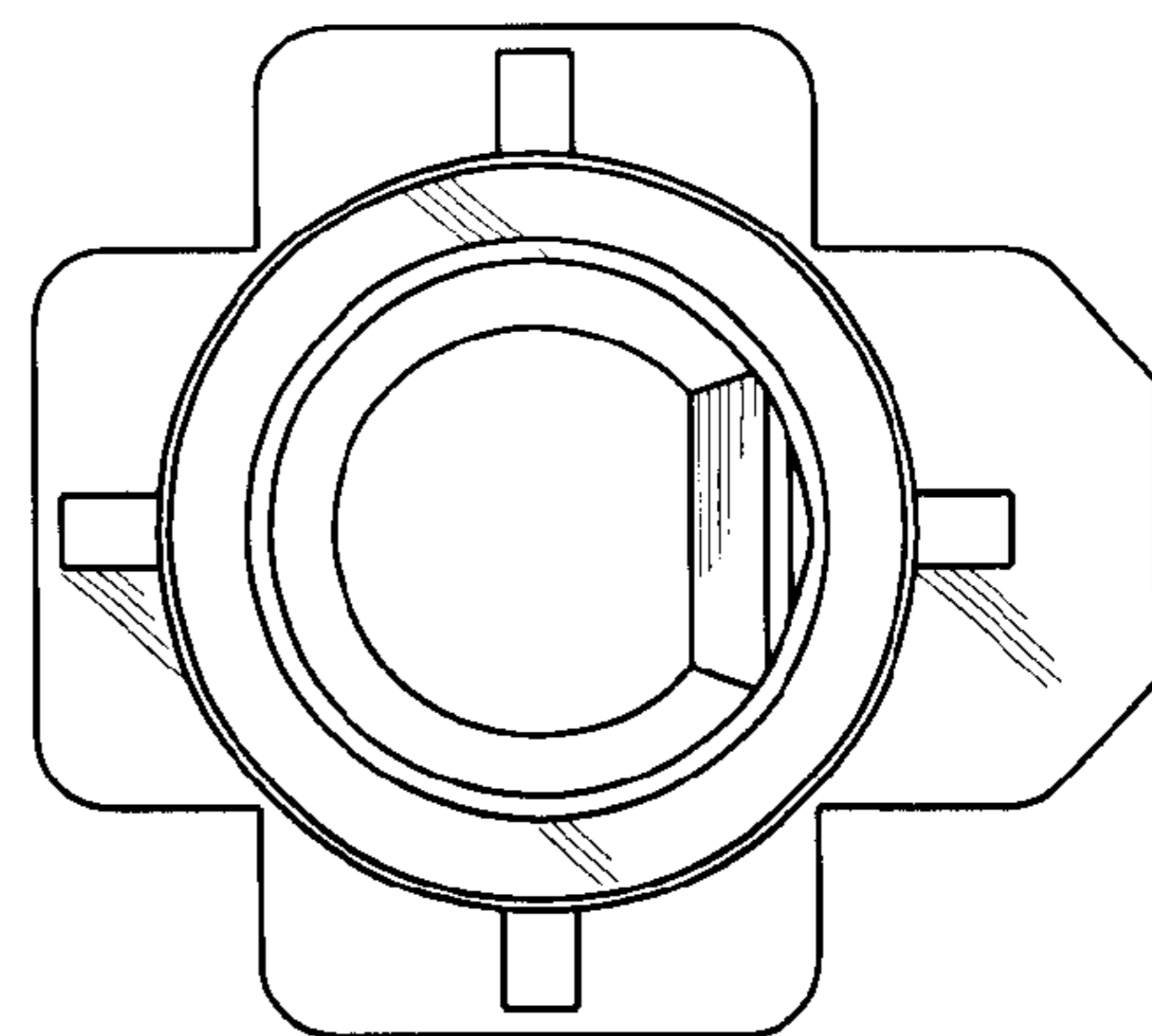
*Fig. 11*



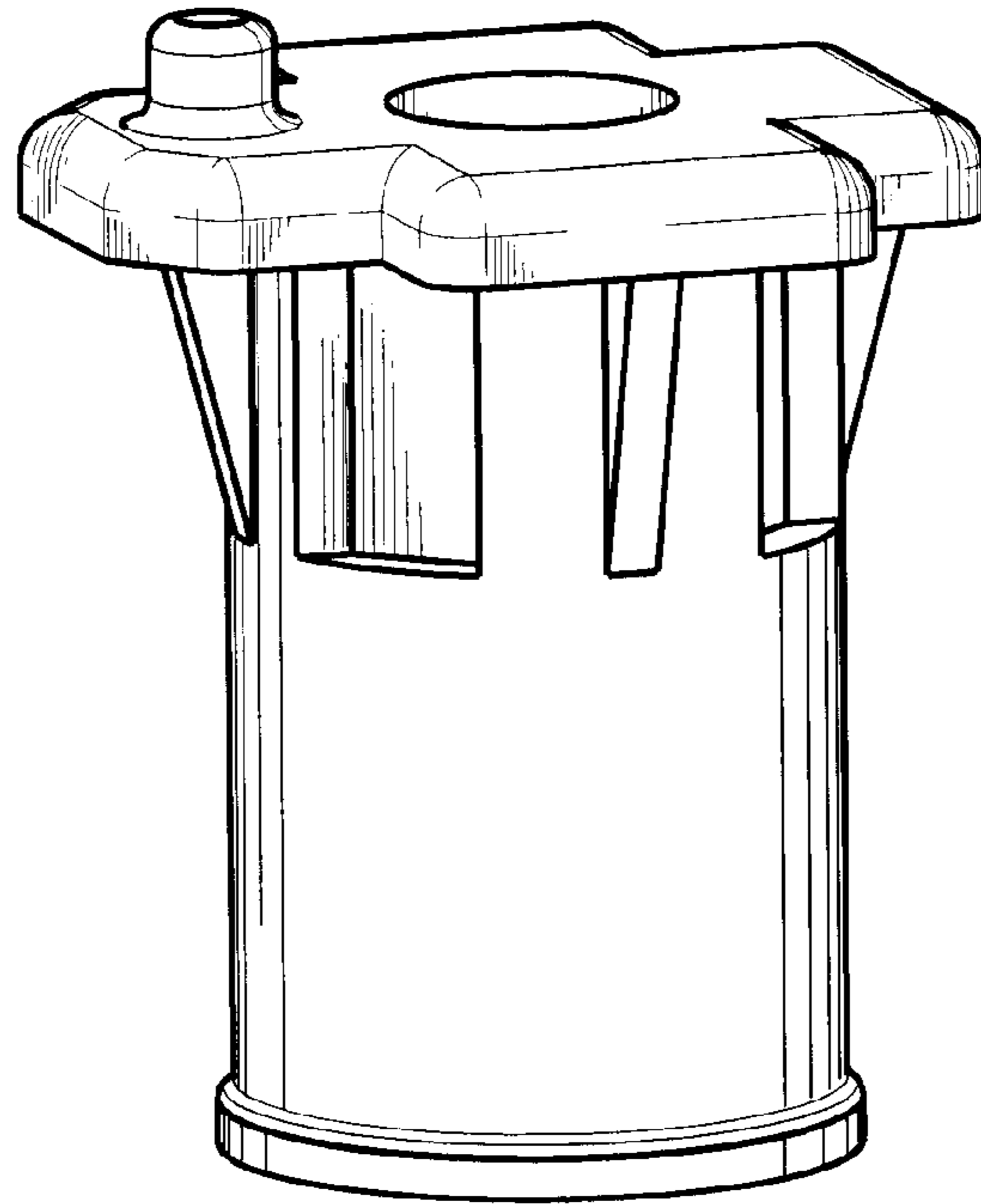
*Fig. 12*



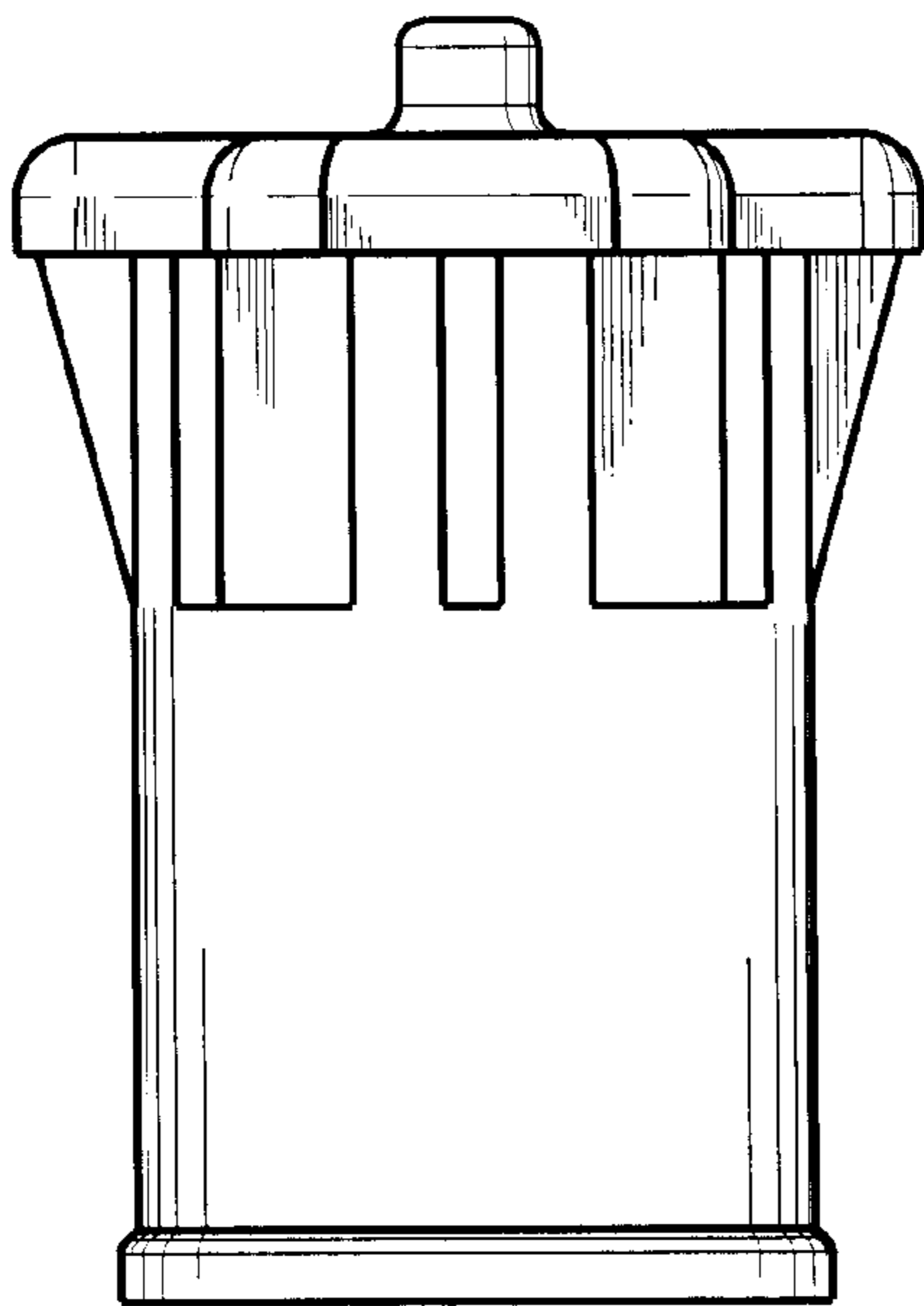
*Fig. 13*



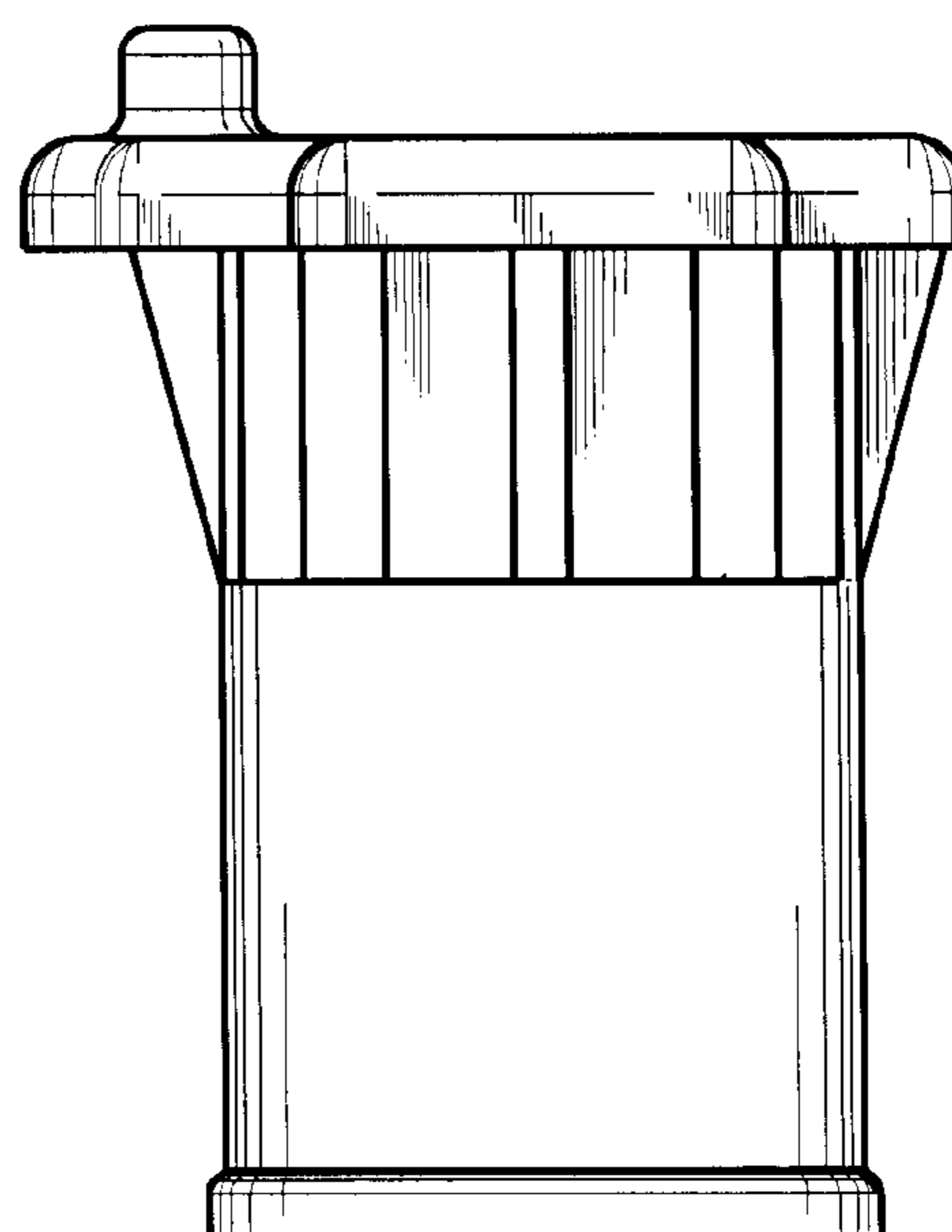
*Fig. 14*



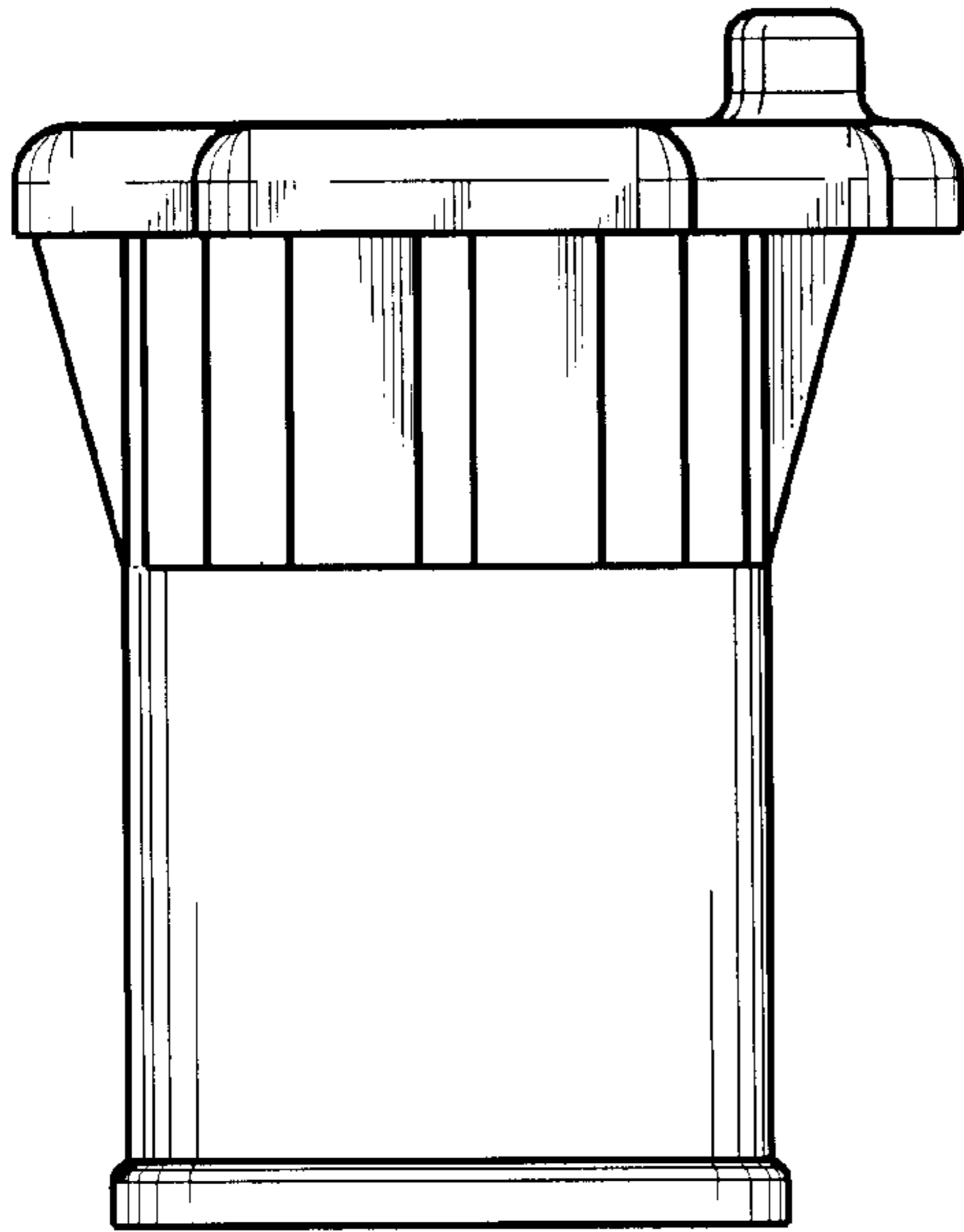
*Fig. 15*



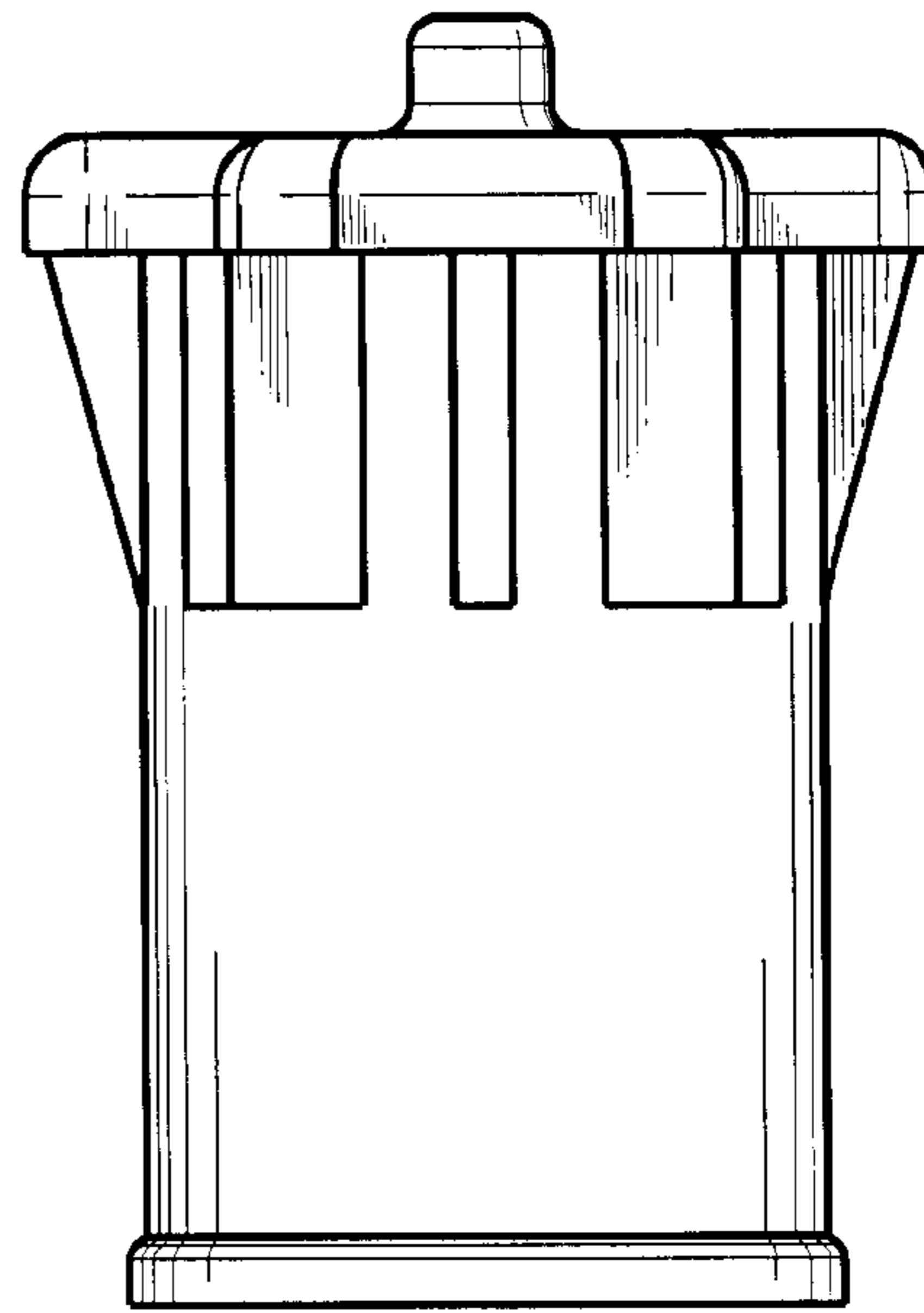
*Fig. 16*



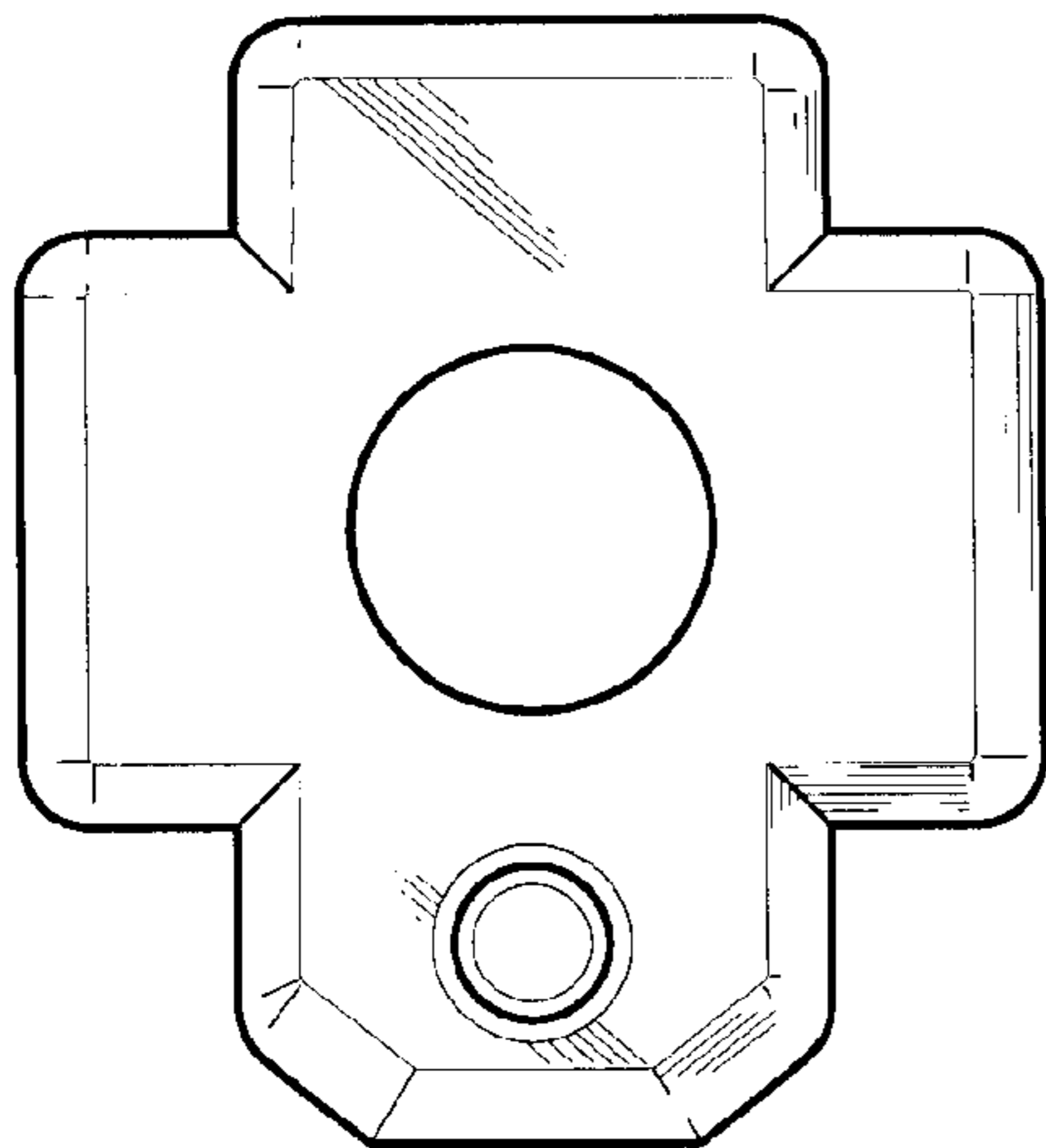
*Fig. 17*



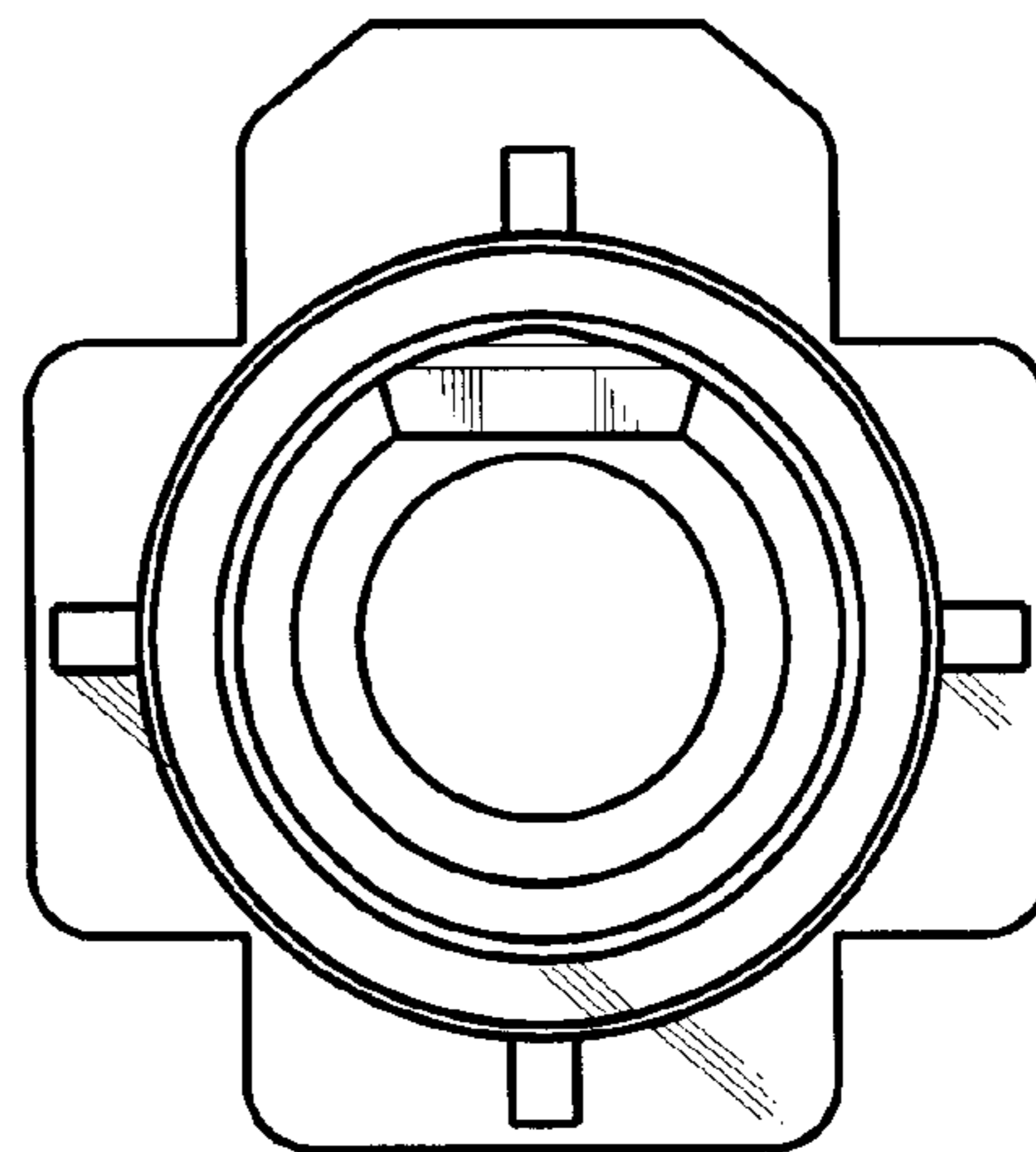
*Fig. 18*



*Fig. 19*



*Fig. 20*



*Fig. 21*