

US00D523142S

(12) **United States Design Patent**
Stalcup et al.

(10) **Patent No.:** **US D523,142 S**
(45) **Date of Patent:** **** Jun. 13, 2006**

(54) **ORTHOPAEDIC RETRACTOR**
(75) Inventors: **Greg Stalcup**, Columbia City, IN (US);
Troy Knapp, Antwerp, OH (US)
(73) Assignee: **Nemcomed**, Hicksville, OH (US)
(**) Term: **14 Years**

4,995,875 A 2/1991 Coes 606/90
5,308,349 A 5/1994 Mikhail 606/88
5,351,680 A 10/1994 Jung 128/20
D433,134 S * 10/2000 Pitesky D24/136
6,702,821 B1 3/2004 Bonutti 606/88
2003/0004401 A1 * 1/2003 Ball et al. 600/233
2005/0228233 A1 * 10/2005 Ritland 600/210

* cited by examiner

(21) Appl. No.: **29/227,581**
(22) Filed: **Apr. 13, 2005**

Primary Examiner—Ian Simmons
Assistant Examiner—Christopher Lee
(74) *Attorney, Agent, or Firm*—Taylor & Aust, P.C.

(51) **LOC (8) Cl.** **24-02**
(52) **U.S. Cl.** **D24/135**
(58) **Field of Classification Search** D24/135,
D24/136; 600/210, 214, 217, 226, 227, 233,
600/234, 235; 606/86, 88, 90
See application file for complete search history.

(57) **CLAIM**

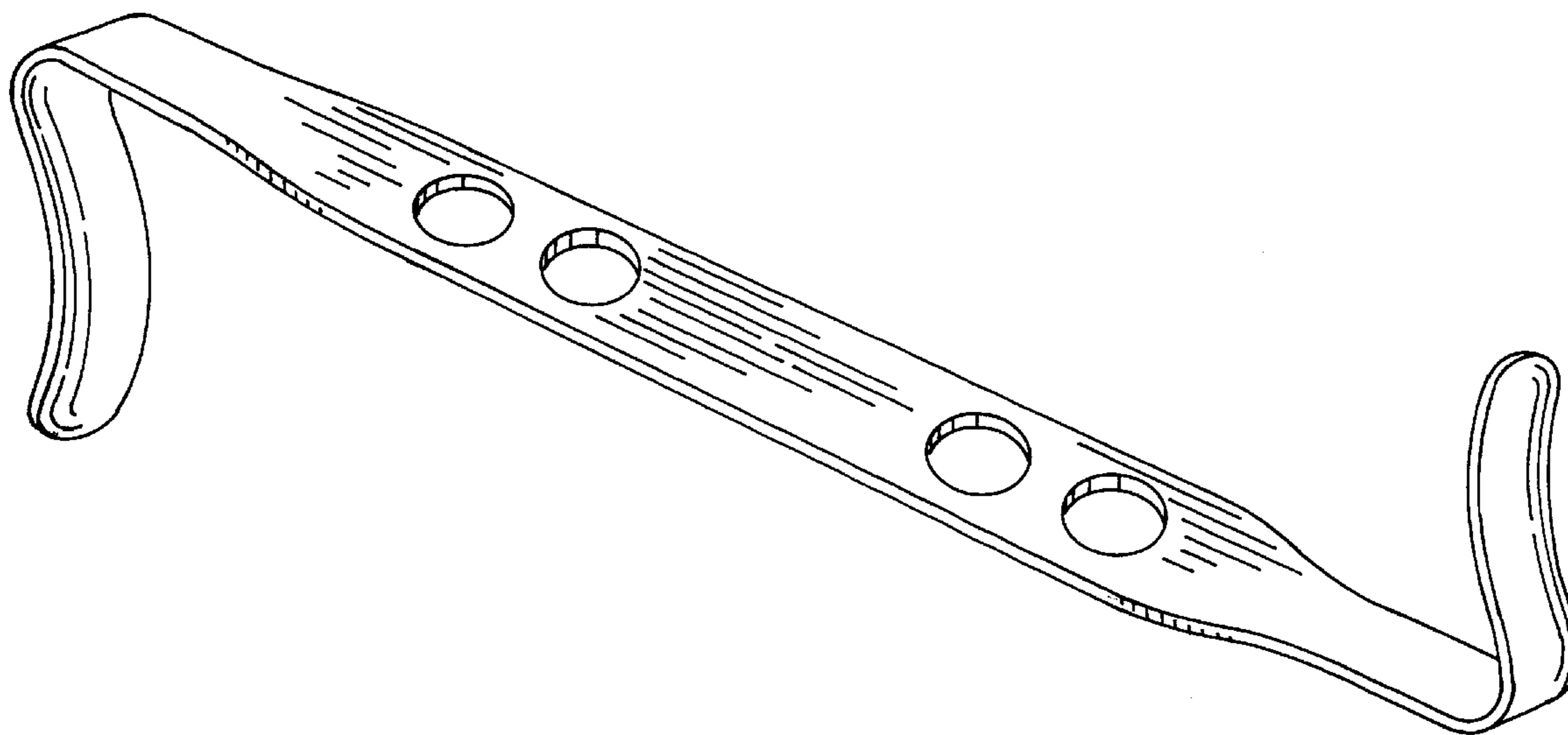
The ornamental design for an orthopaedic retractor, as shown and described.

DESCRIPTION

FIG. 1 is a perspective view of an orthopaedic retractor showing our new design;
FIG. 2 is a front view thereof;
FIG. 3 is a side elevational view thereof;
FIG. 4 is a rear view thereof;
FIG. 5 is an end view thereof; and,
FIG. 6 is another end view thereof.

(56) **References Cited**
U.S. PATENT DOCUMENTS
2,383,705 A 8/1945 Bortagaray 128/20
2,474,857 A 7/1949 Newman 128/20
D214,475 S * 6/1969 Forster D24/135
3,651,800 A 3/1972 Wilbanks 128/12
4,610,243 A 9/1986 Ray 128/20
4,686,972 A 8/1987 Kurland 128/92

1 Claim, 3 Drawing Sheets



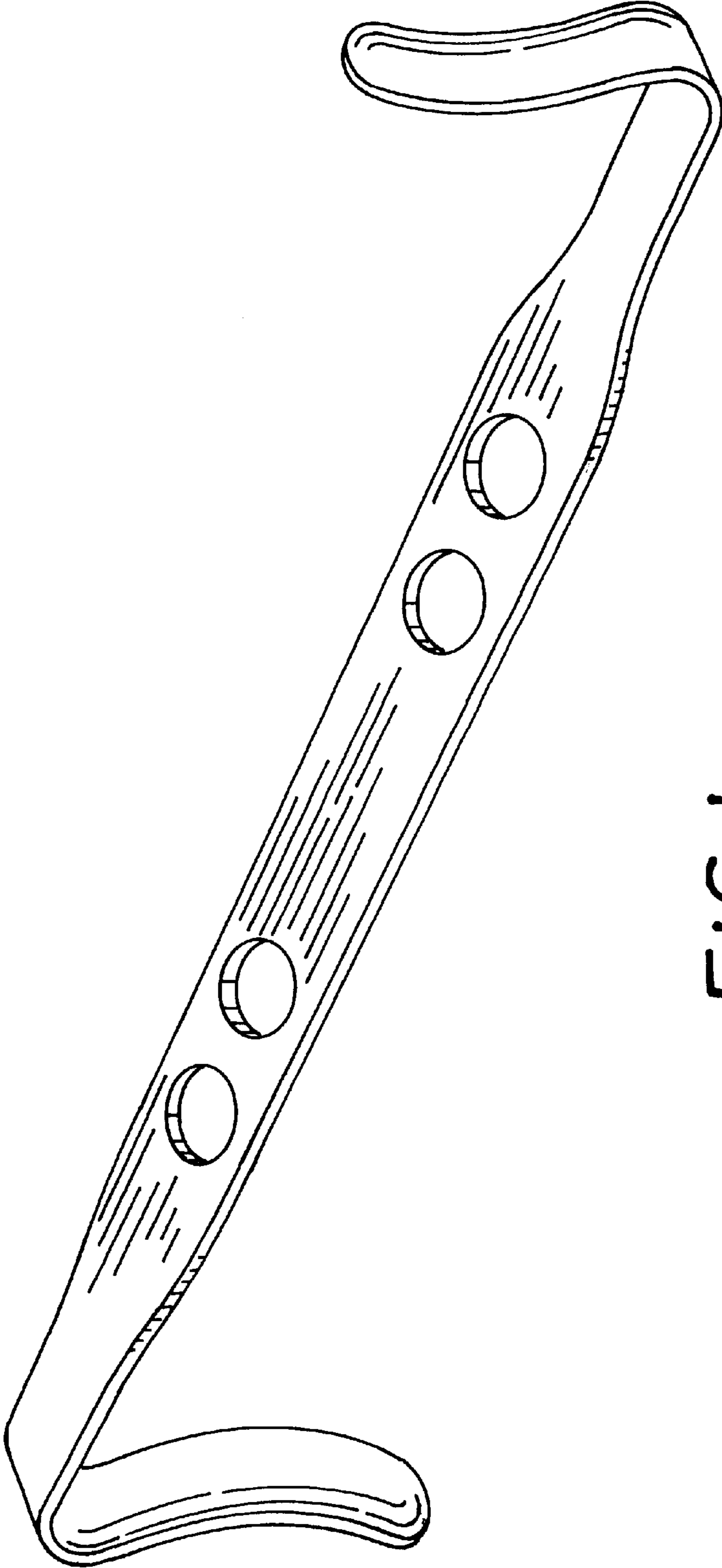


FIG. 1



FIG. 2

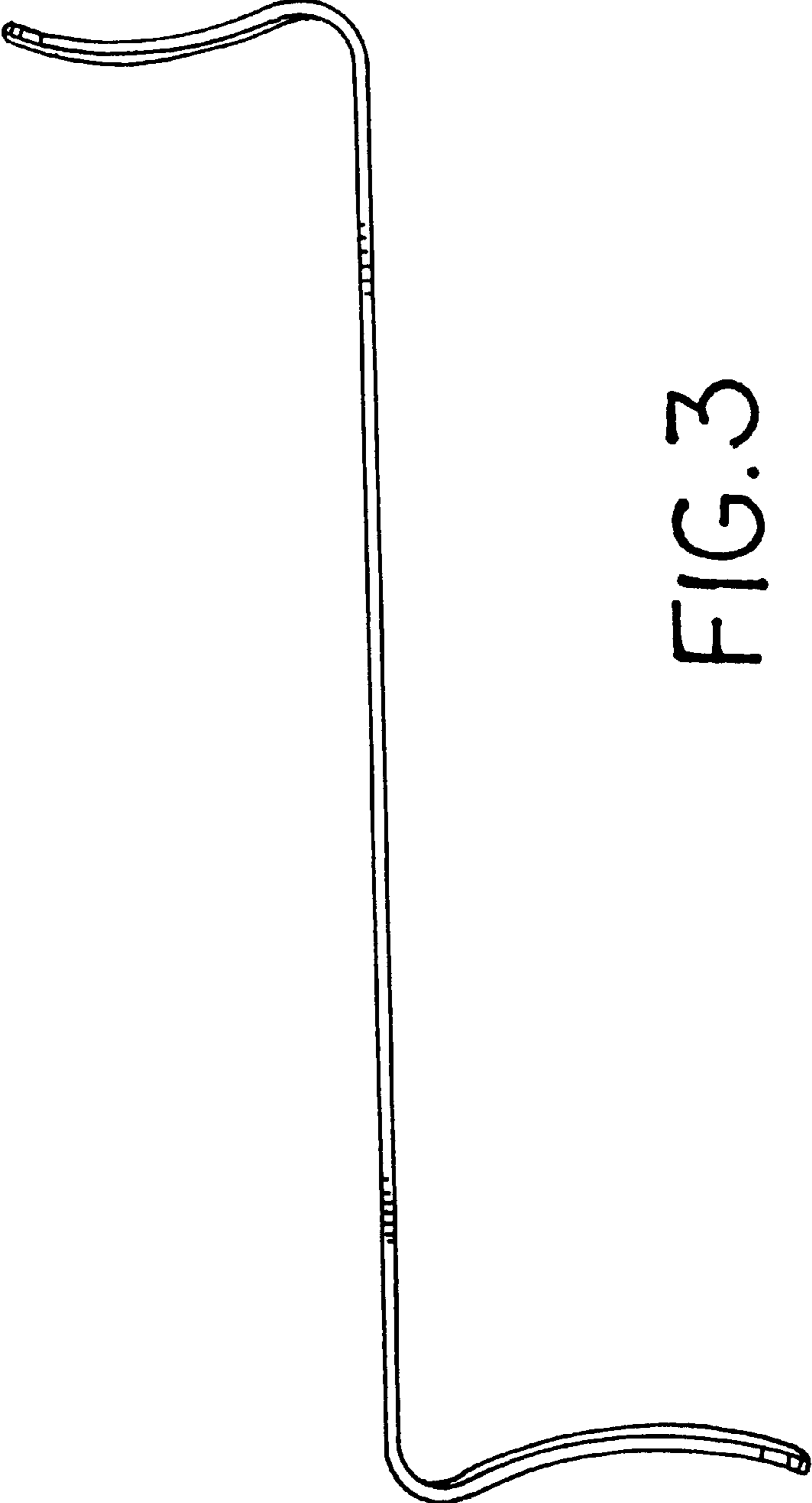


FIG. 3

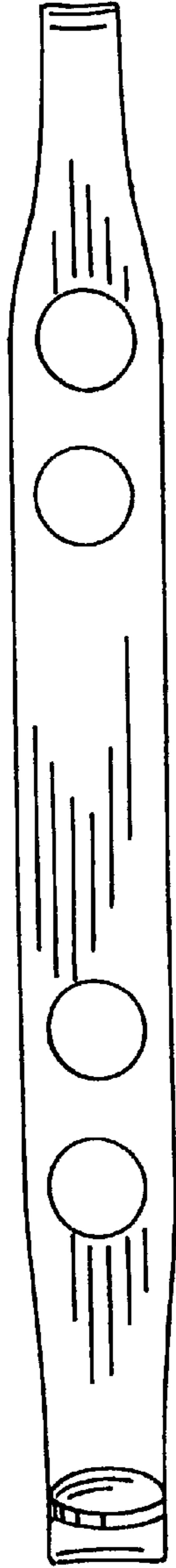


FIG. 4

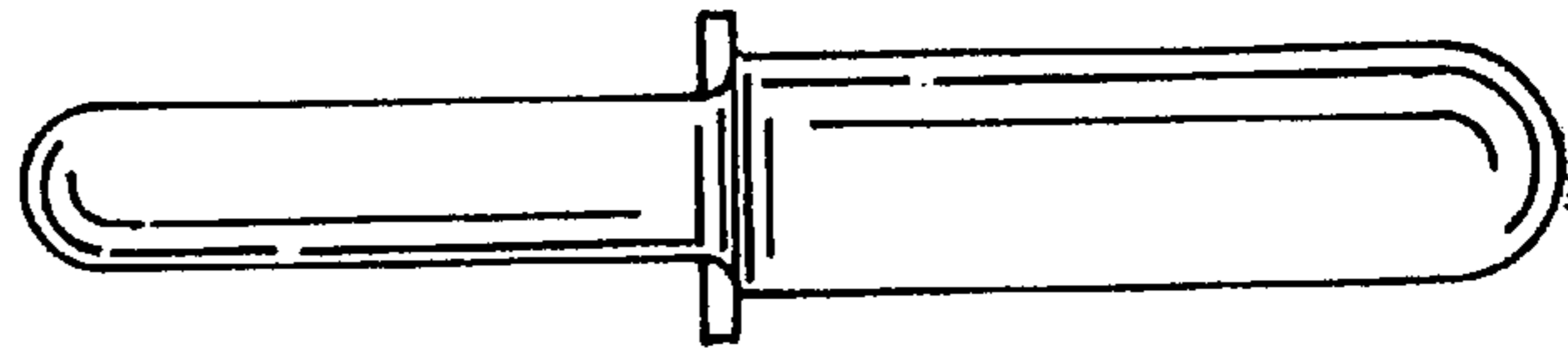


FIG. 6

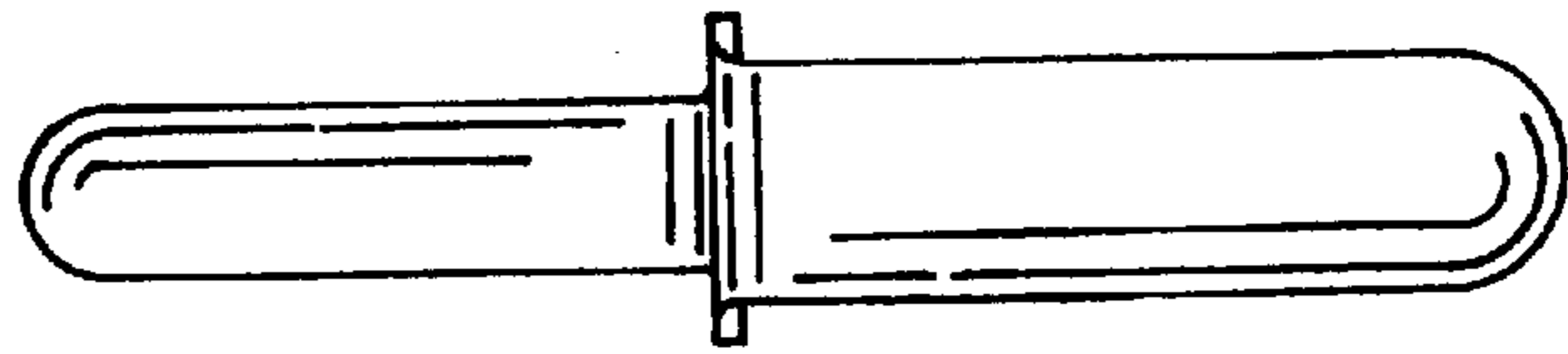


FIG. 5