

US00D523134S

(12) **United States Design Patent**  
**Hidalgo**

(10) **Patent No.:** **US D523,134 S**  
(45) **Date of Patent:** **\*\* Jun. 13, 2006**

(54) **PORTION OF A HOUSING**

(75) Inventor: **Rolando Hidalgo**, Orange, CA (US)

(73) Assignee: **Minka Lighting, Inc.**, Corona, CA (US)

(\*\*) Term: **14 Years**

(21) Appl. No.: **29/228,633**

(22) Filed: **Apr. 26, 2005**

(51) **LOC (8) Cl.** ..... **23-04**

(52) **U.S. Cl.** ..... **D23/411**

(58) **Field of Classification Search** ..... D23/377,  
D23/379, 385, 411, 413; 416/5; 392/364;  
D26/59, 72, 81-88; 362/396

See application file for complete search history.

(56) **References Cited**

**U.S. PATENT DOCUMENTS**

D440,647 S	*	4/2001	Lee	.....	D23/377
D454,630 S	*	3/2002	Hidalgo	.....	D23/377
D484,233 S	*	12/2003	Bucher et al.	.....	D23/377
D507,827 S	*	7/2005	Hidalgo	.....	D23/377

**OTHER PUBLICATIONS**

Minka Lighting, Inc.; MinkaAire 2005 catalog; Jan. 2005; pp. 20-21; Minka Lighting, Inc.; U.S.A.  
Minka Lighting, Inc.; MinkaAire 2005 catalog; Jan. 2005; pp. 48-49; Minka Lighting, Inc.; U.S.A.  
Minka Lighting, Inc.; MinkaAire 2005 catalog; Jan. 2005; pp. 62-63; Minka Lighting, Inc.; U.S.A.

Minka Lighting, Inc.; MinkaAire 2005 catalog; Jan. 2005; pp. 66-67; Minka Lighting, Inc.; U.S.A.

Ellington Internet Catalog; The Neoclassic; Model #ELNCL52NC5LKRC; printed from www.fansworksoutlet.com on Apr. 20, 2005.

Monte Carlo Internet Catalog; Premier; Model #MC-5PR52FB; printed from www.hansenwholesale.com on Apr. 21, 2005.

\* cited by examiner

*Primary Examiner*—Lisa Lichtenstein

(74) *Attorney, Agent, or Firm*—Baker & McKenzie LLP

(57) **CLAIM**

The ornamental design for a portion of a housing, as shown and described.

**DESCRIPTION**

FIG. 1 is a perspective view from below of a portion of a housing in accordance with my design;

FIG. 2 is a greatly reduced bottom plan view of the portion of a housing in accordance with my design;

FIG. 3 is a reduced side elevation view of the portion of a housing in accordance with my design; and,

FIG. 4 is a reduced front elevation view of the portion of a housing in accordance with my design.

FIGS. 3 and 4 are identical except for the positioning of the fan blades.

The broken lines showing environmental structure are for illustrative purposes and form no part of the claimed invention.

**1 Claim, 4 Drawing Sheets**

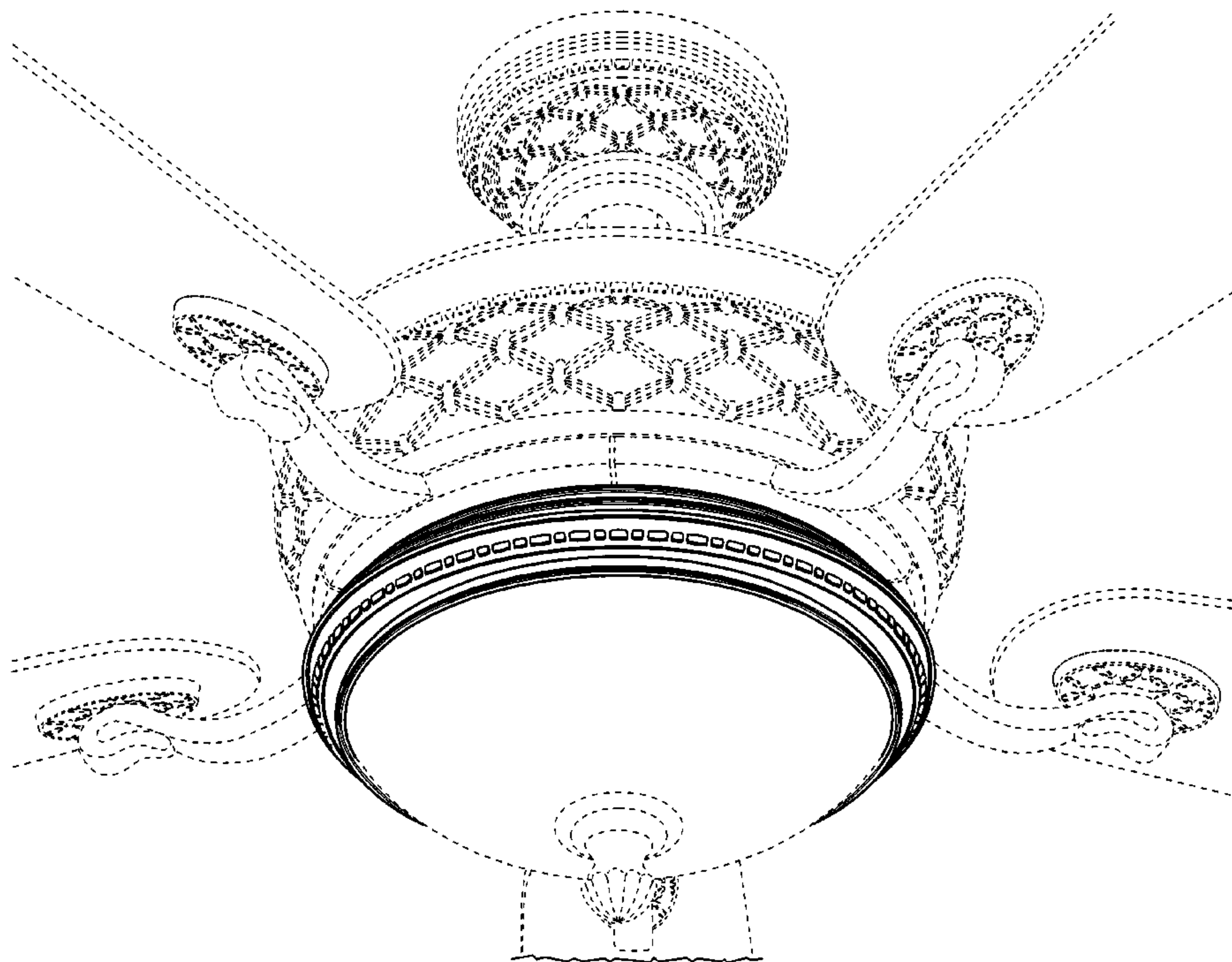
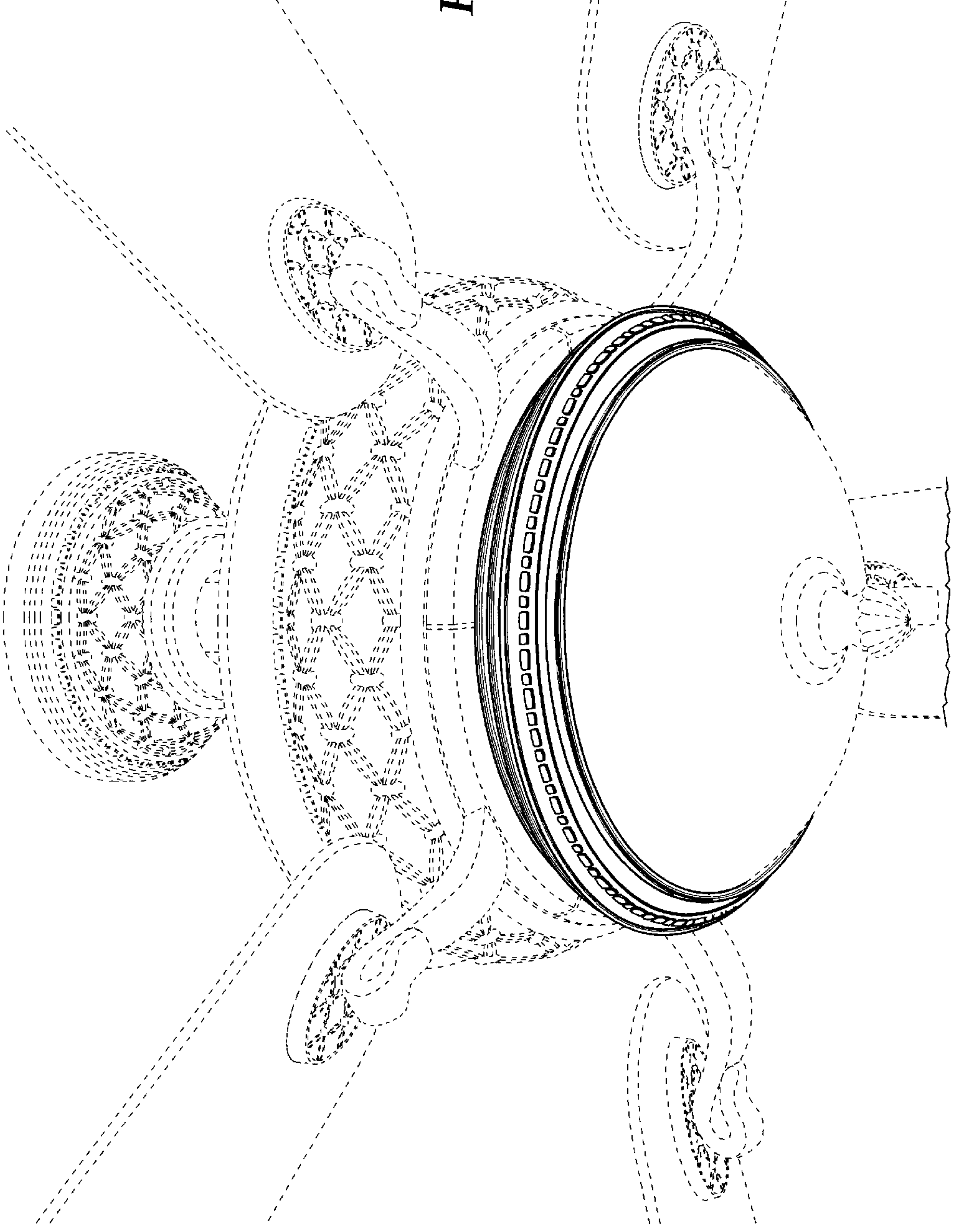
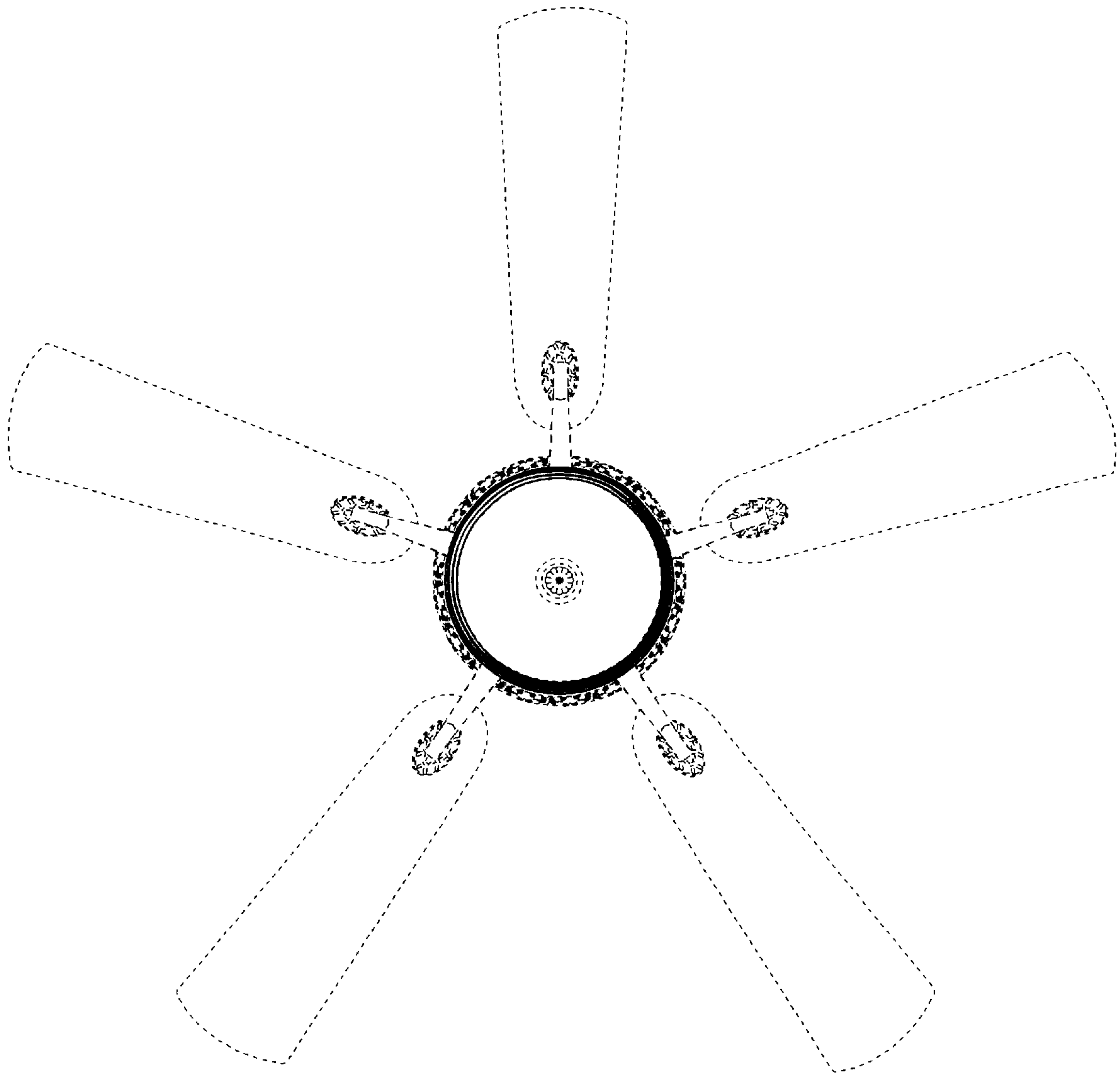
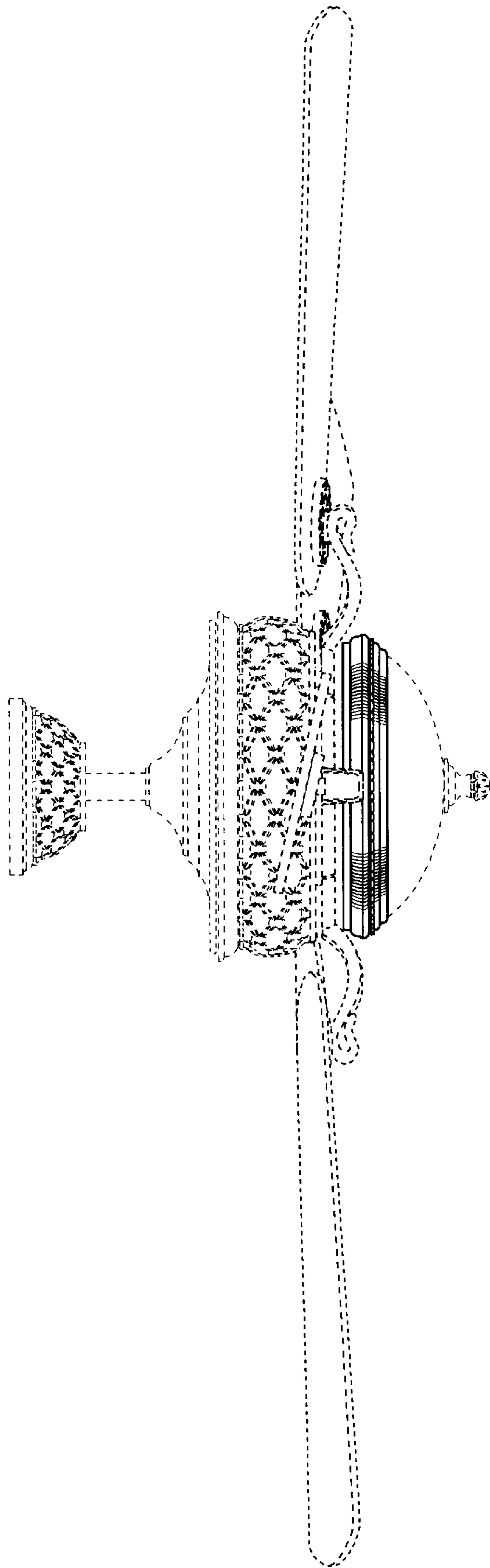


Fig. 1



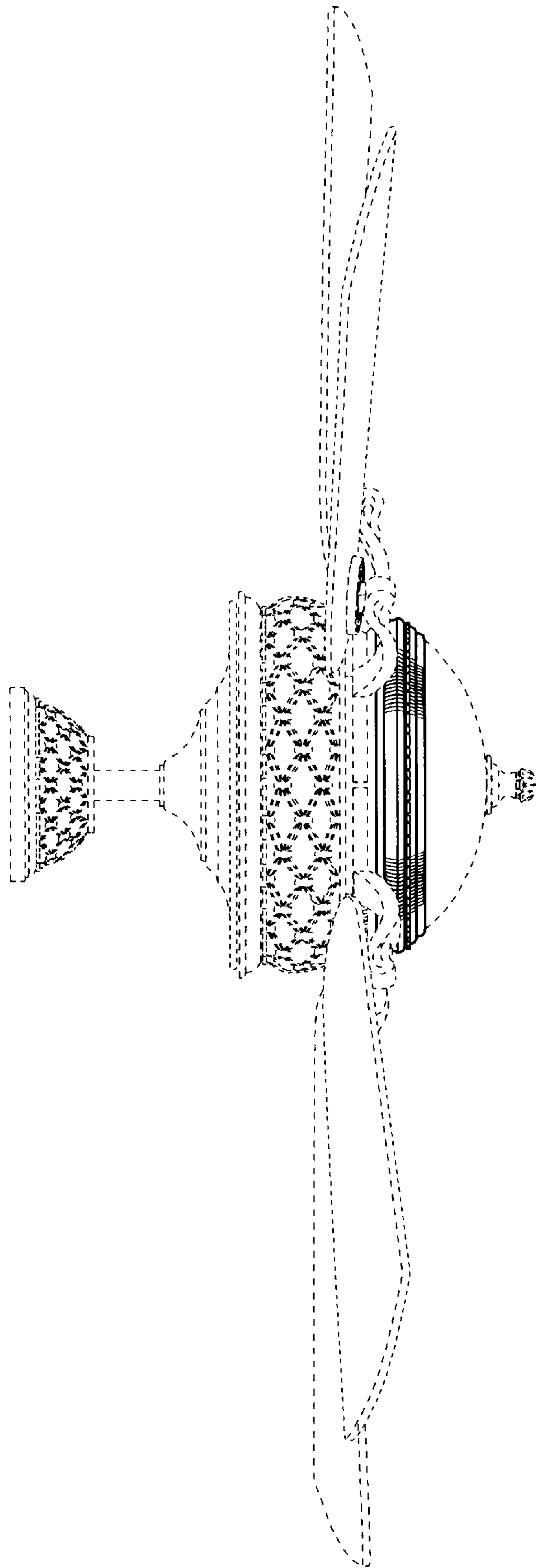


*Fig.2*



*Fig.3*





*Fig. 4*