



US00D523133S

(12) **United States Design Patent** (10) **Patent No.:** **US D523,133 S**
Young (45) **Date of Patent:** **** Jun. 13, 2006**

- (54) **CEILING FAN BLADE IRON ASSEMBLY**
- (75) Inventor: **Stanfield Young**, Garden Grove, CA (US)
- (73) Assignee: **Minka Lighting, Inc.**, Corona, CA (US)
- (**) Term: **14 Years**
- (21) Appl. No.: **29/203,999**
- (22) Filed: **Apr. 22, 2004**
- (51) **LOC (8) Cl.** **23-04**
- (52) **U.S. Cl.** **D23/411**
- (58) **Field of Classification Search** D23/411, D23/413, 377, 379; 416/5, 210 R
See application file for complete search history.

(56) **References Cited**

U.S. PATENT DOCUMENTS

- D321,935 S * 11/1991 Igonn D23/413
- 5,462,407 A * 10/1995 Calvo 416/132 A
- D393,902 S * 4/1998 Pickett D23/377
- D435,289 S * 12/2000 Liu D23/411
- D435,900 S * 1/2001 Dye D23/411

OTHER PUBLICATIONS

- Hampton Bay Ceiling Fans; vol. 1; Spring/Summer 2004; p. 38, Mar. 2004, Home Depot, Inc., U.S.A.
- Minka Aire 2004; pp. 52–53, Jan. 2004, Minka Lighting, Inc. USA.
- Lamps Plus Internet Catalog; Casablanca Ventura II, Model # 89125–57276; www.lampsplus.com, May 14, 2004, Casablanca Fans.
- Casablanca Internet Catalog; Avalon Blade System; Model # B31B; www.casablancafansco.com, May 14, 2004, Casablanca Fans.
- Casablanca Internet Catalog; Malibu Star; Model # 23B002; www.casablancafanco.com, May 14, 2004, Casablanca Fans.

Monte Carlo Internet Catalog; Vera Cruz; Model #VC5B06, 5VCOP, 5VCOC, 5VCWH, 5VCFB, May 25, 2004, Monte Carlo Fans.
 Fanimation Internet Catalog; The Islander; Model #ISC4; printed from www.fansworkoutlet.com on May 19, 2005.
 Emerson Internet Catalog; Model #EMB30KH; printed from www.fansworkoutlet.com on May 19, 2005.
 U.S. Appl. No. 29/204,012, filed Apr. 22, 2004, Stanfield Young.
 U.S. Appl. No. 29/203,971, filed Apr. 22, 2004, Stanfield Young.
 U.S. Appl. No. 29/203,996, filed Apr. 22, 2004, Stanfield Young.
 U.S. Appl. No. 29/203,969, filed Apr. 22, 2004, Stanfield Young.

(Continued)

Primary Examiner—Lisa Lichtenstein
(74) *Attorney, Agent, or Firm*—Baker & McKenzie LLP

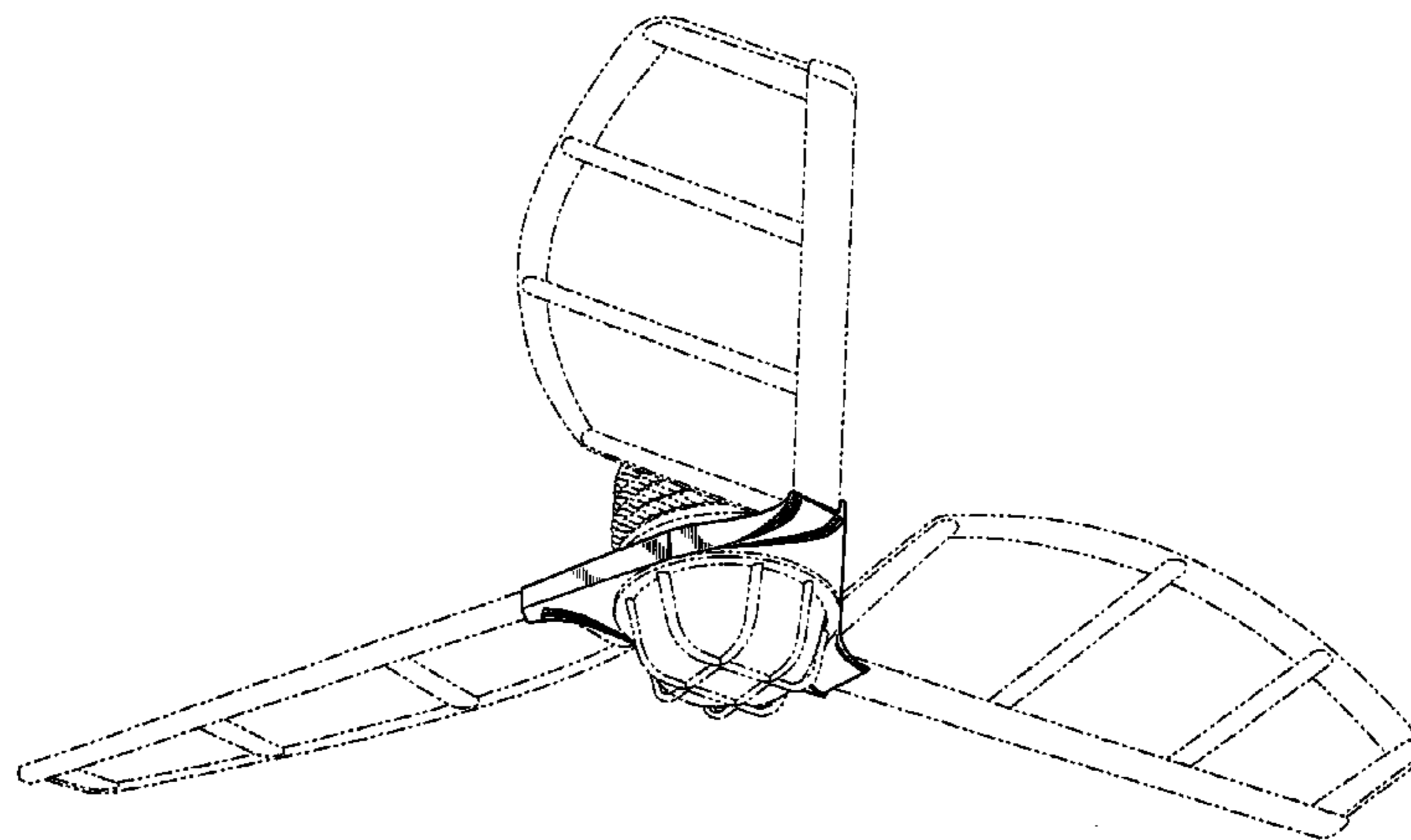
(57) **CLAIM**

The ornamental design for a ceiling fan blade iron assembly, as shown and described.

DESCRIPTION

FIG. 1 is a perspective view from below of a ceiling fan blade iron assembly in accordance with my design, including the environment thereof;
 FIG. 2 is an enlarged perspective view from below of the ceiling fan blade iron assembly in accordance with my design, including the environment thereof;
 FIG. 3 is an enlarged bottom plan view from below of the ceiling fan blade iron assembly in accordance with my design, including the environment thereof; and,
 FIG. 4 is a bottom plan view of the ceiling fan blade iron assembly in accordance with my design, including the environment thereof.
 The broken lines showing environmental structure are for illustrative purposes and form no part of the claimed design. In FIGS. 2 and 3, the fan blades are shown broken away to indicate indeterminate length.

1 Claim, 4 Drawing Sheets



OTHER PUBLICATIONS

U.S. Appl. No. 29/204,000, filed Apr. 22, 2004, Stanfield Young.

Hampton Bay Ceiling Fans; vol. 1; Spring/Summer 2004; p. 38, filed Mar. 2004, Home Depot, Inc., U.S.A.

Minka Aire 2004; pp. 52–53, filed Jan. 2004, Minka Lighting, Inc. USA.

Lamps Plus Internet Catalog; Casablanca Ventura II, Model #89125–57276; www.lampsplus.com, filed May 14, 2004, Casablanca Fans.

Casablanca Internet Catalog; Avalon Blade System; Model #B31B; www.casablancafanco.com, May 14, 2004, Casablanca Fans.

Casablanca Internet Catalog; Malibu Star; Model #23B002; www.casablancafanco.com, filed May 14, 2004, Casablanca Fans.

Monte Carlo Internet Catalog; Vera Cruz; Model #VC5B06, 5VC0P, 5VC0C, 5VCWH, 5VCFB, Monte Carlo Fans.

* cited by examiner

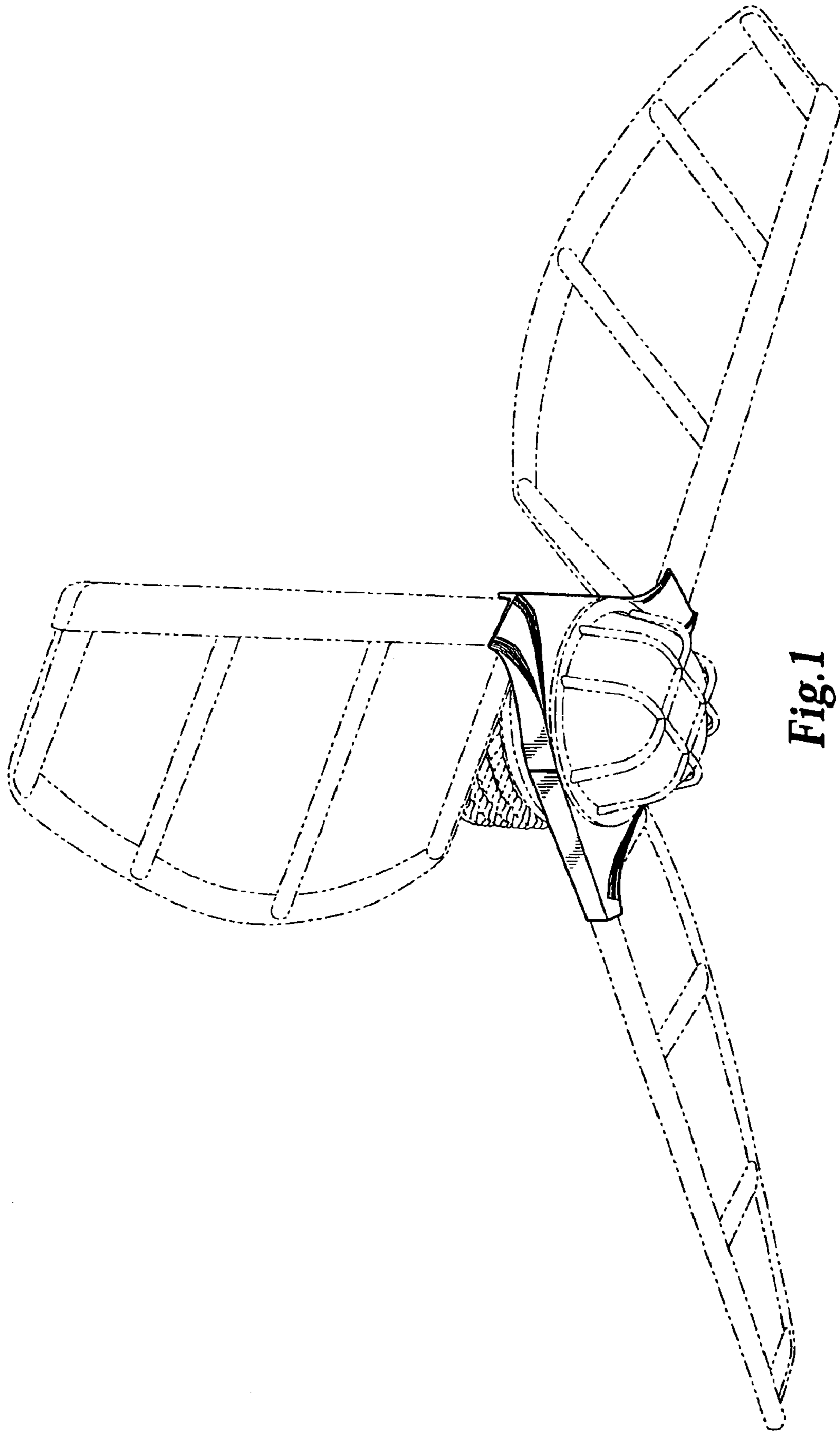


Fig. 1

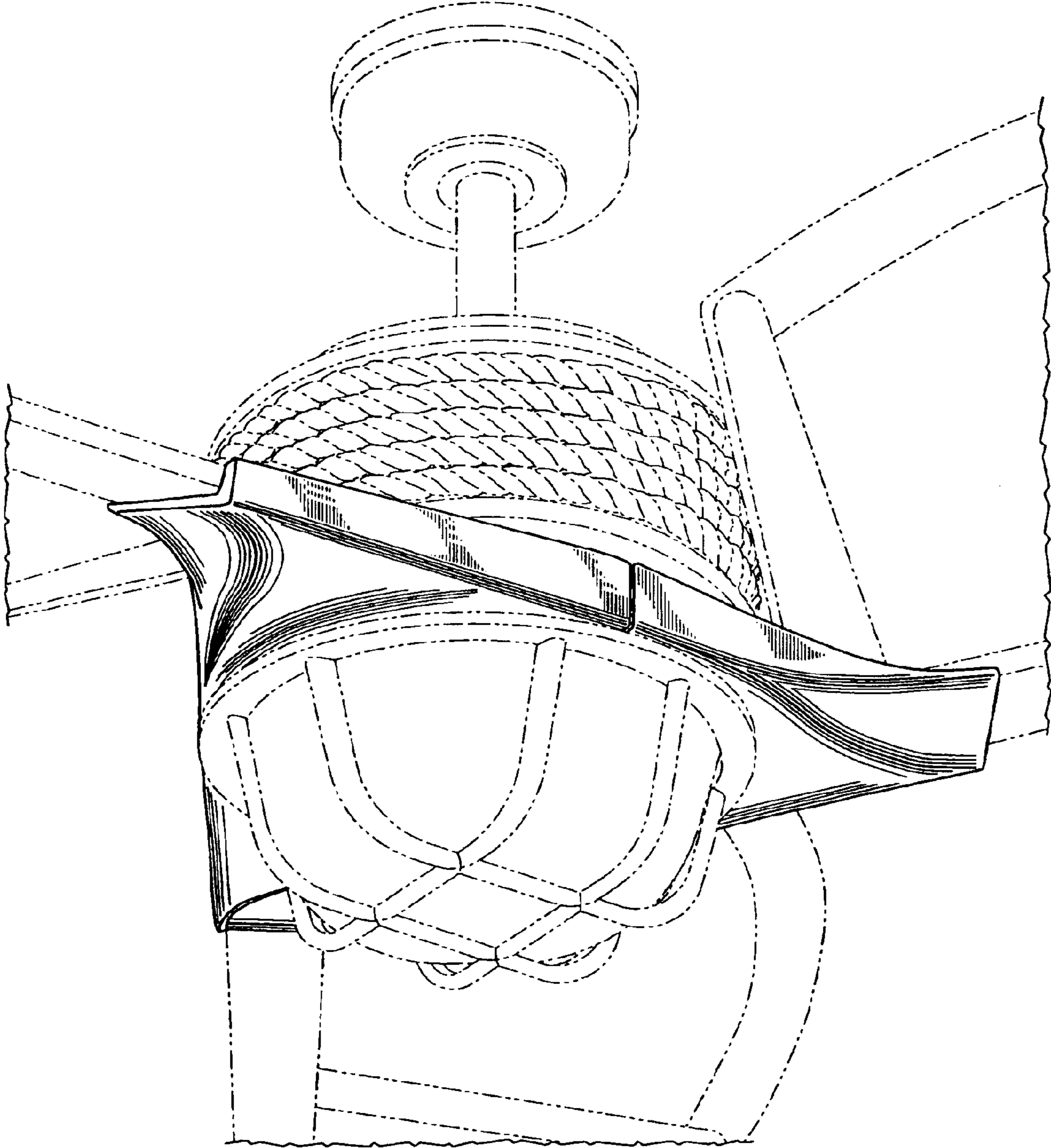
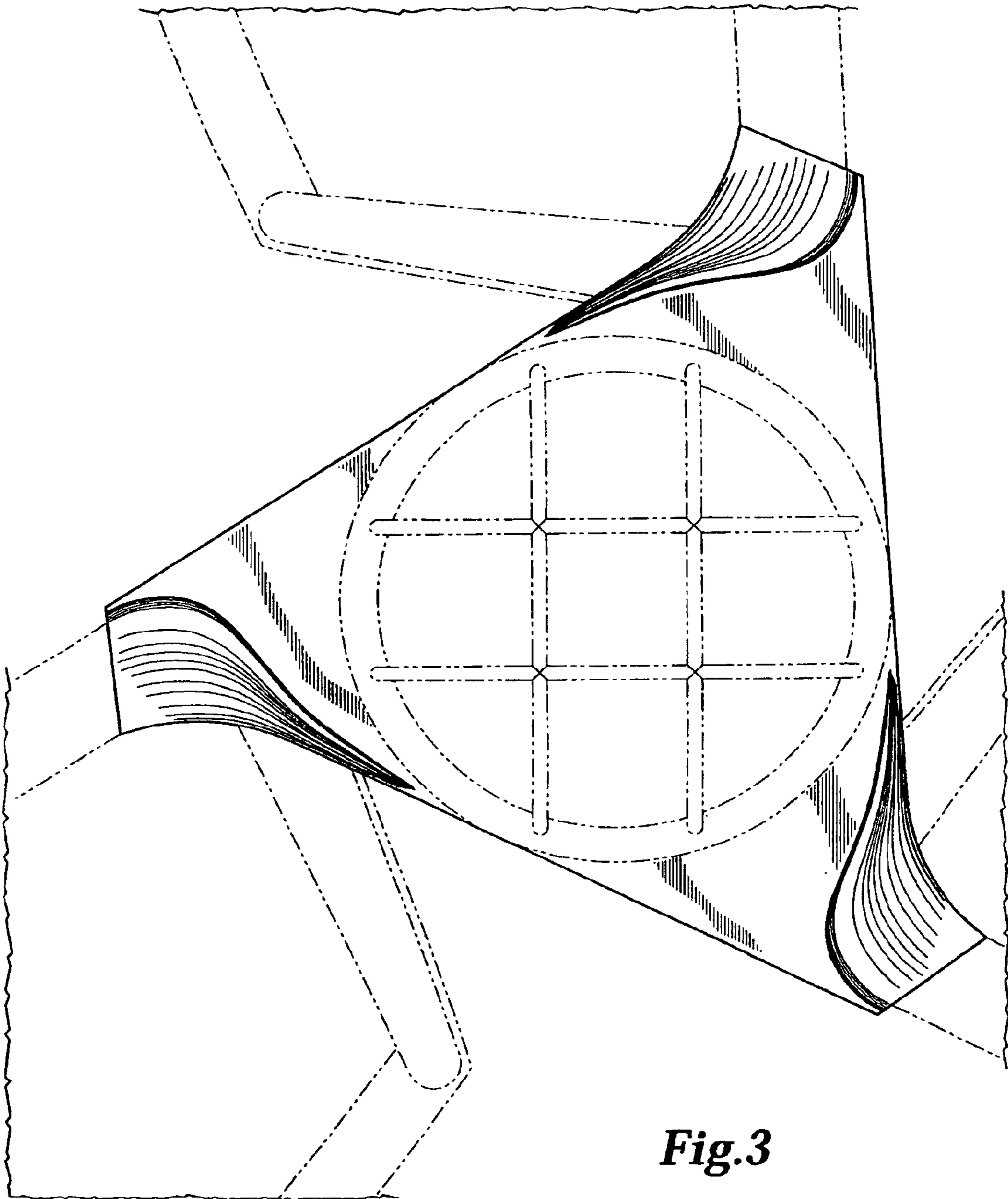


Fig.2



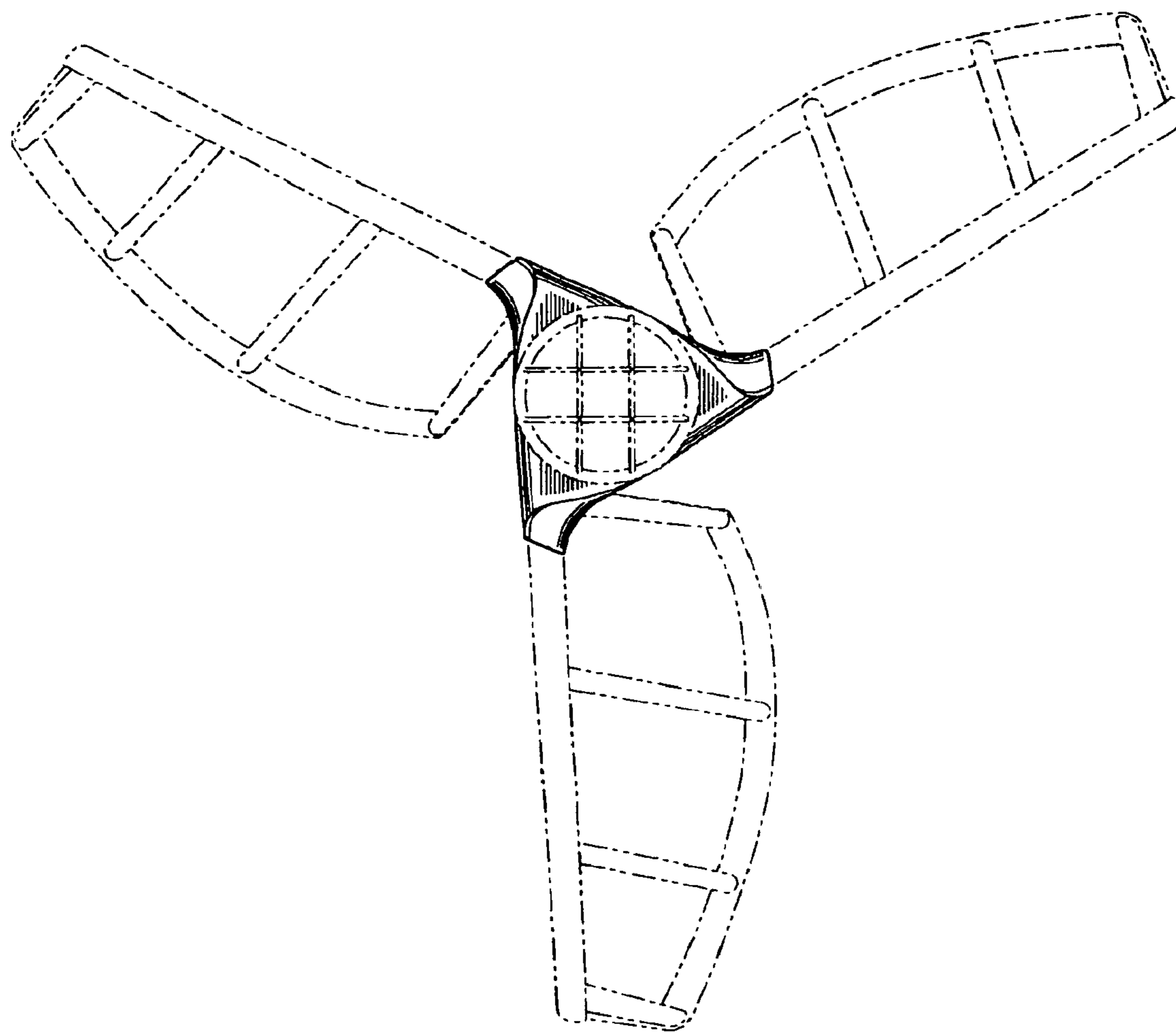


Fig.4