

US00D523132S

(12) **United States Design Patent**  
**Elliott**

(10) **Patent No.:** **US D523,132 S**

(45) **Date of Patent:** **\*\* Jun. 13, 2006**

(54) **AFRICAN MASK FIREPLACE**

310,437 A \* 1/1885 Jackson ..... 126/544  
D270,937 S \* 10/1983 Porter et al. .... D23/346

(76) Inventor: **Stephen R. Elliott**, 660 Georgia Ave.,  
Suite 100, Chattanooga, TN (US) 37402

\* cited by examiner

(\*\*) Term: **14 Years**

*Primary Examiner*—Sandra S. Snapp

(21) Appl. No.: **29/196,736**

(57) **CLAIM**

(22) Filed: **Jan. 5, 2004**

I claim the ornamental design for an African mask fireplace,  
as shown and described.

(51) **LOC (8) Cl.** ..... **23-03**

(52) **U.S. Cl.** ..... **D23/404**

(58) **Field of Classification Search** ..... D23/403–406,  
D23/499, 398, 343, 345, 348, 349, 350; 52/36.3;  
126/500, 509, 510, 512, 516, 519, 520, 544;  
16/DIG. 11; D25/55, 60; D7/332, 334, 347,  
D7/348

**DESCRIPTION**

See application file for complete search history.

FIG. 1 is a perspective view to an African mask fireplace  
using African symbols and culture as indicated and shown in  
my new design;

FIG. 2 is a front view thereof;

FIG. 3 is a top view looking down thereof;

FIG. 4 is a left side view thereof; and,

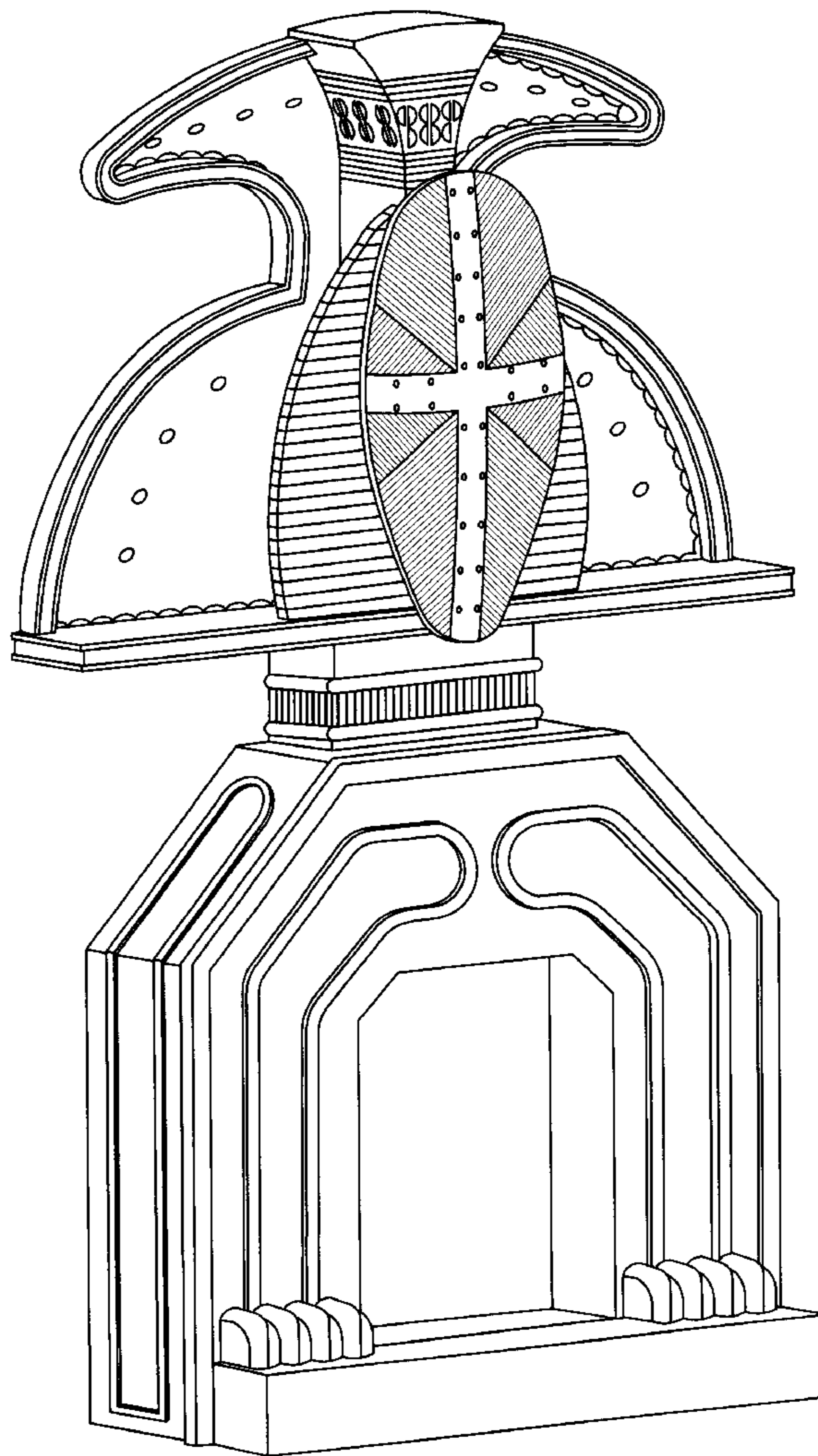
FIG. 5 is a right side view thereof.

(56) **References Cited**

U.S. PATENT DOCUMENTS

54,129 A \* 4/1866 Rozyk ..... 137/240

**1 Claim, 2 Drawing Sheets**



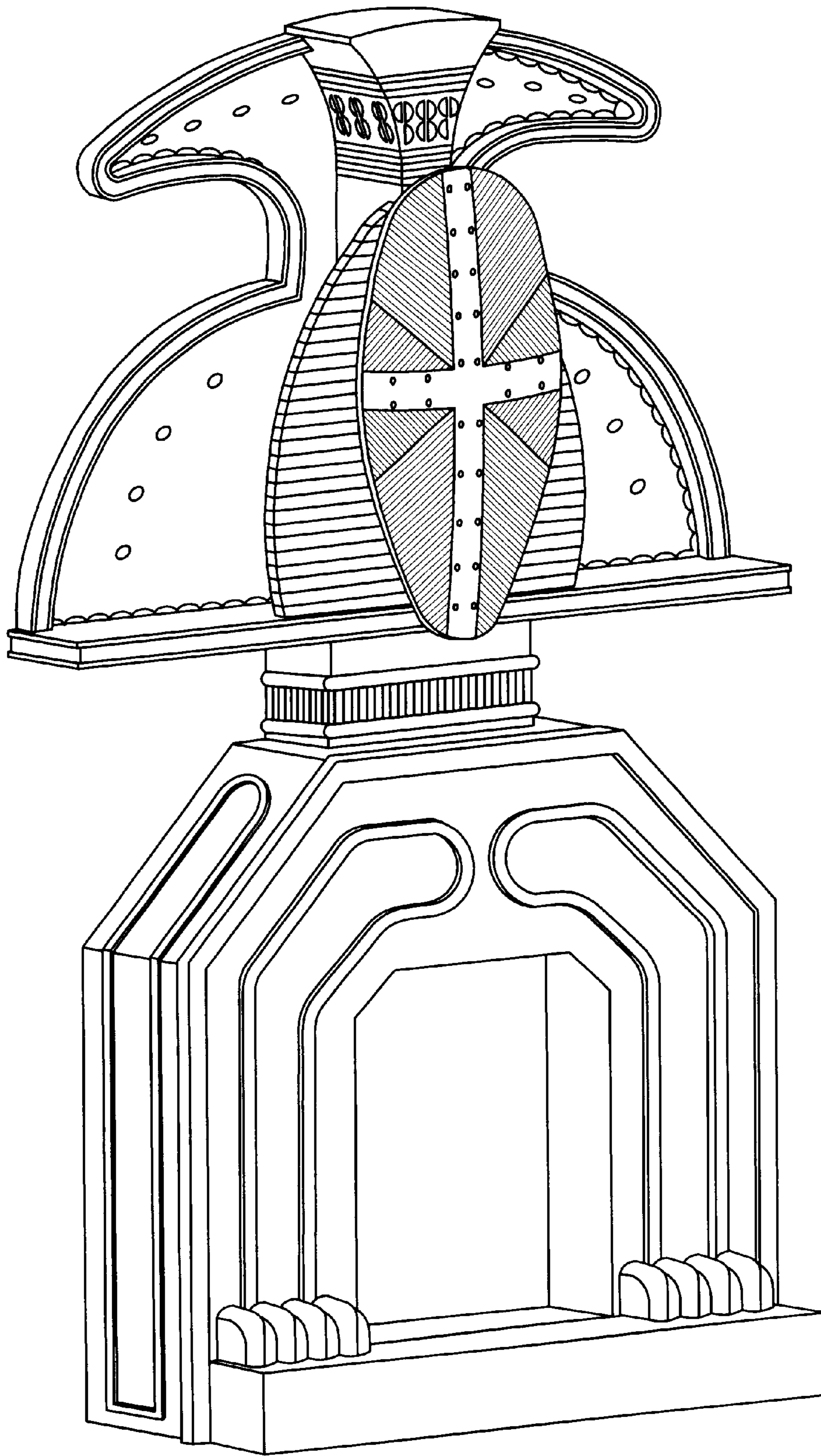


FIG. 1

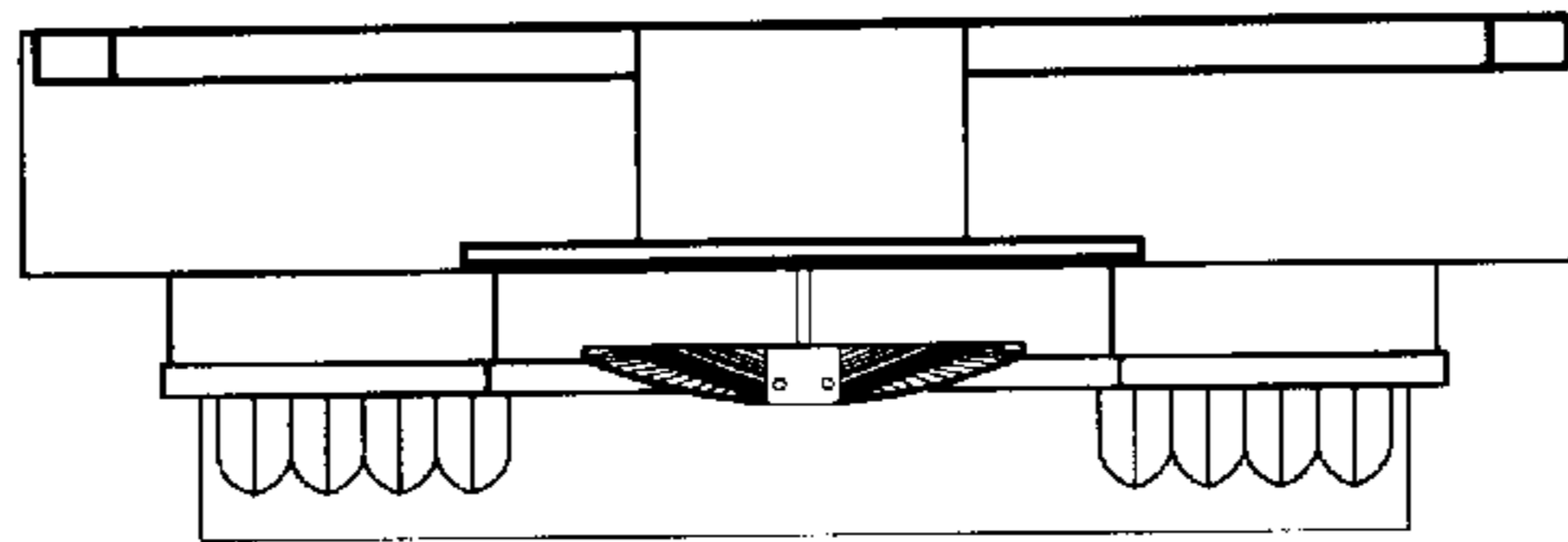


FIG. 3

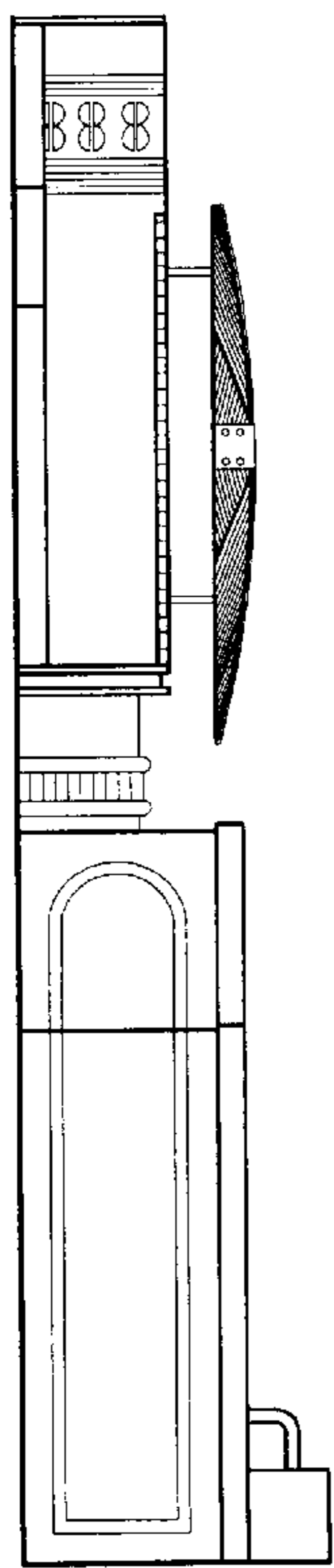


FIG. 4

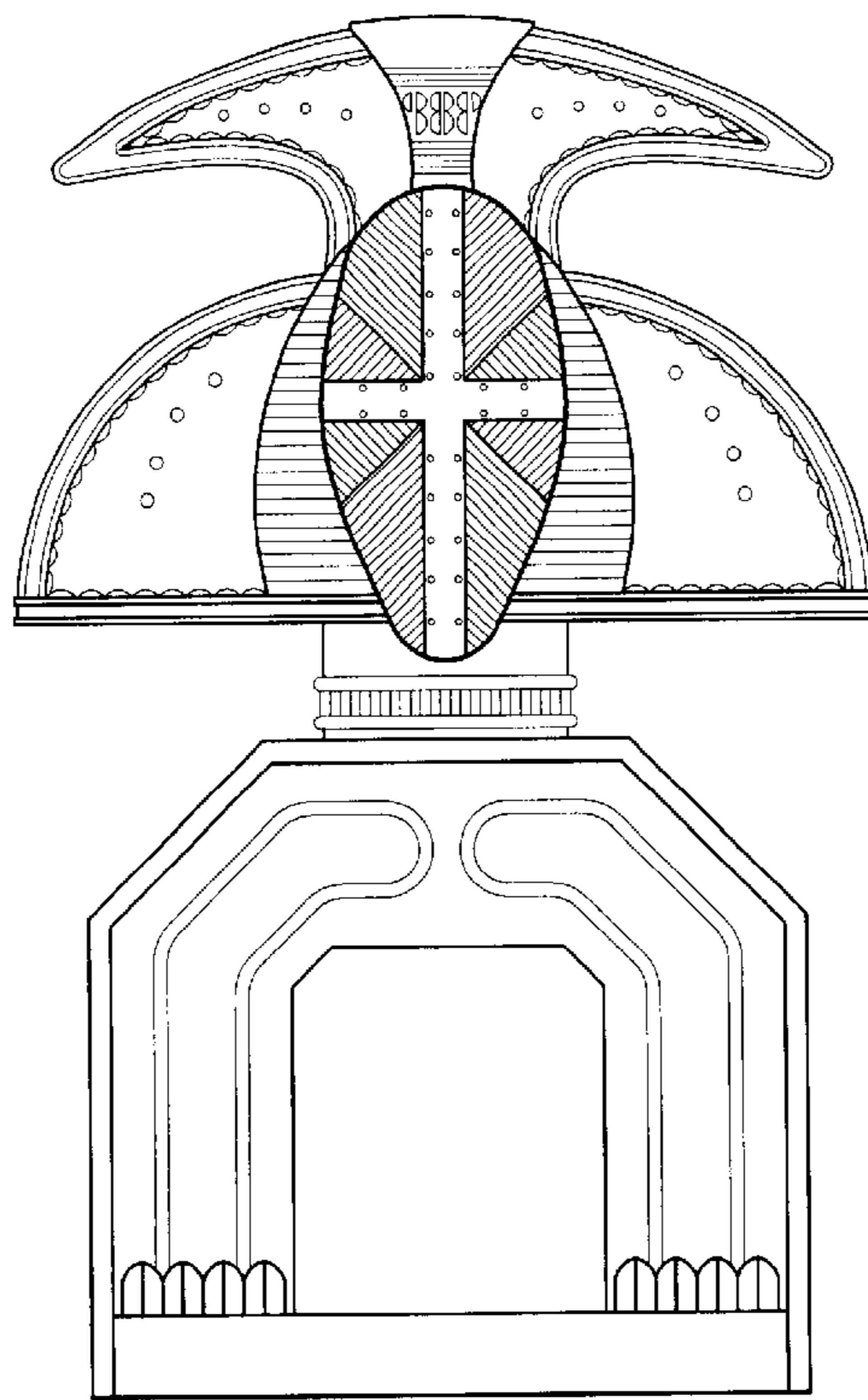


FIG. 2

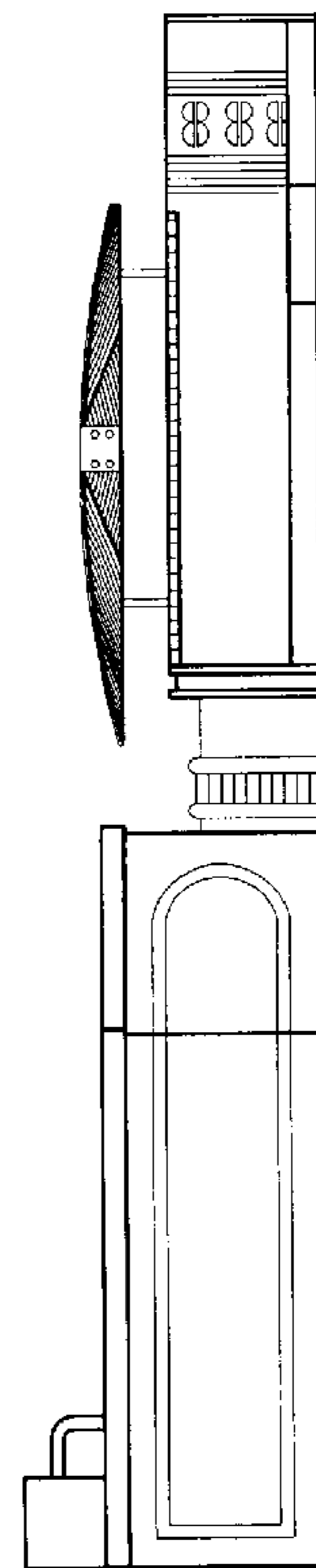


FIG. 5