

US00D523131S

(12) **United States Design Patent**
Stout, Jr.

(10) **Patent No.:** **US D523,131 S**
(45) **Date of Patent:** **** Jun. 13, 2006**

(54) **DUCT WITH AN INDENTED END**

(75) Inventor: **William K. Stout, Jr.**, Mason, OH
(US)
(73) Assignee: **Eastern Sheet Metal LLC**, Cincinnati,
OH (US)
(**) Term: **14 Years**

(21) Appl. No.: **29/138,772**
(22) Filed: **Mar. 20, 2001**

(51) **LOC (8) Cl.** **23-04**
(52) **U.S. Cl.** **D23/393**
(58) **Field of Classification Search** D23/259,
D23/260, 262, 263, 266, 386, 387, 391, 393,
D23/394; 285/47, 424, 123.15, 110, 374,
285/347, 123.16, 232-234, 122.1, 125.1,
285/124.1, 129.2, 133.21, 133.11, 133.6,
285/136.1, 141.1, 148.22, 141.24, 189, 148.16,
285/148.23, 123.1, 123.3-123.7, 123.9; 138/111-117,
138/140, 149, DIG. 4; 454/230-232, 243,
454/270, 903
See application file for complete search history.

(56) **References Cited**

U.S. PATENT DOCUMENTS

D25,709 S 6/1896 Pratt
690,778 A * 1/1902 Schroth 126/314
1,565,918 A 12/1925 Fitzgerald
1,570,974 A 1/1926 Stevens

(Continued)

FOREIGN PATENT DOCUMENTS

DE 2840963 4/1979
DK 150025 B 11/1986
EP 092881 A2 11/1983
EP 0273221 B1 7/1988
EP 0389462 A1 9/1990
EP 0758066 B1 2/1997

(Continued)

OTHER PUBLICATIONS

U.S. Appl. No. 29/138,761.
U.S. Appl. No. 29/138,838.
U.S. Appl. No. 29/138,820.
U.S. Appl. No. 29/138,847.
U.S. Appl. No. 29/138,785.
U.S. Appl. No. 29/138,839.
U.S. Appl. No. 29/138,830.
U.S. Appl. No. 29/138,819.
U.S. Appl. No. 29/138,818.

(Continued)

Primary Examiner—Catherine Tuttle
(74) *Attorney, Agent, or Firm*—Dinsmore & Shohl LLP

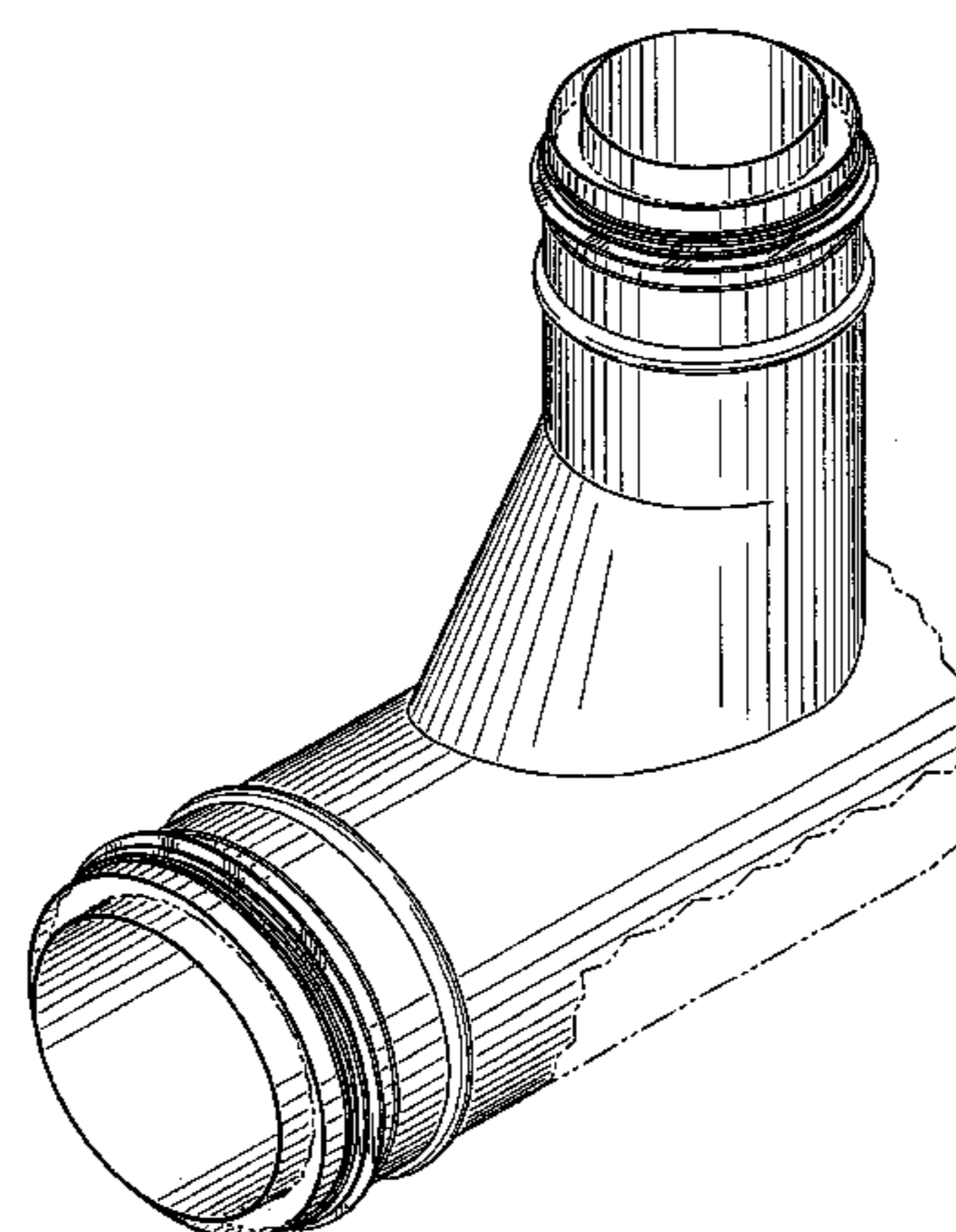
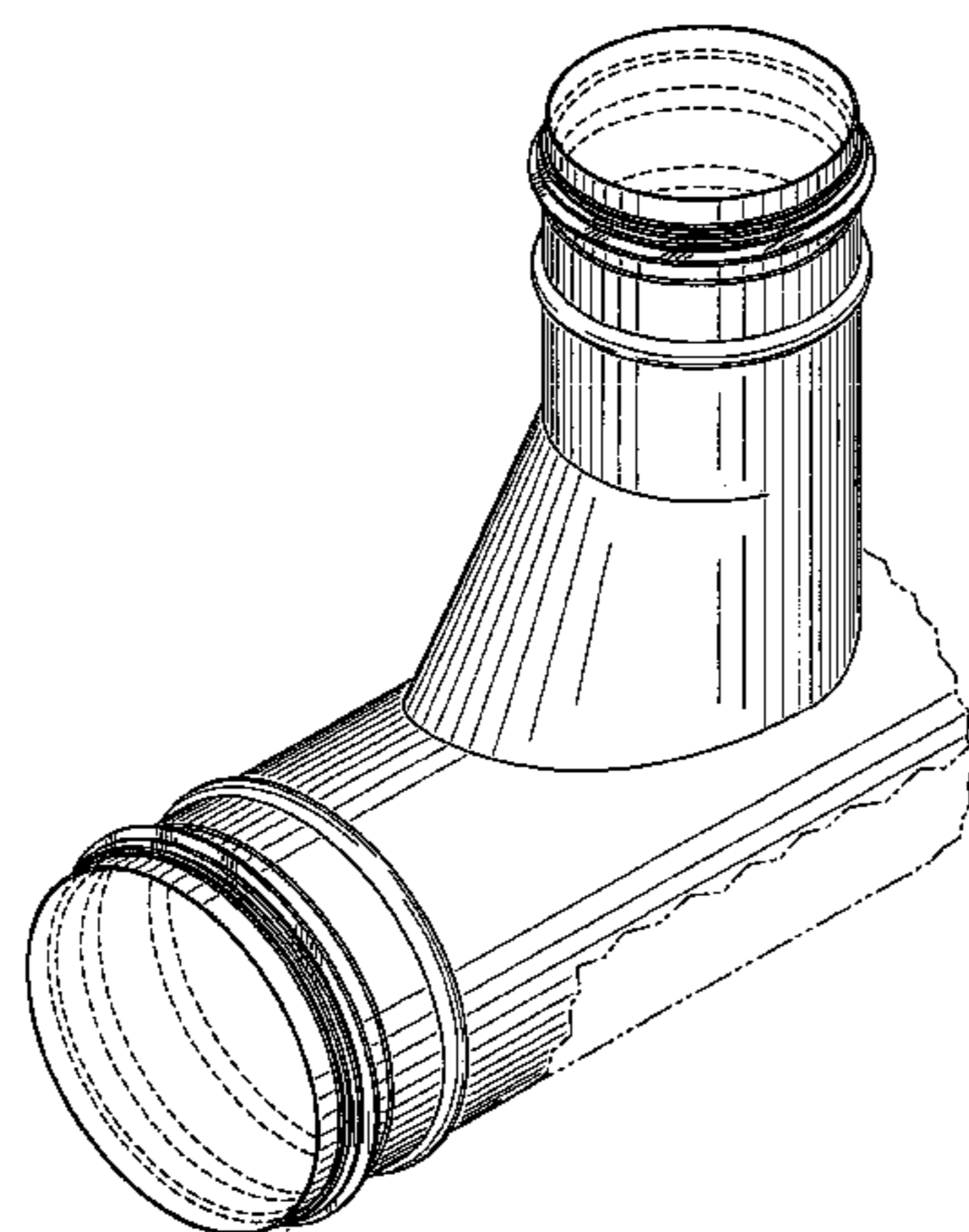
(57) **CLAIM**

The ornamental design for a duct with an indented end, as shown and described.

DESCRIPTION

FIG. 1 is a front view of a first embodiment of the duct with an indented end;
FIG. 2 is a right side view of the duct of FIG. 1; the left side view being a mirror image of FIG. 2;
FIG. 3 is a top view of the duct of FIG. 1;
FIG. 4 is a front right perspective view of the first embodiment of the duct; the front left perspective view being a mirror image of FIG. 4;
FIG. 5 is a front view of a second embodiment of the duct with an indented end;
FIG. 6 is a right side view of the duct of FIG. 5; the left side view being a mirror image of FIG. 6;
FIG. 7 is a top view of the duct of FIG. 5; and,
FIG. 8 is a front right perspective view of the second embodiment of the duct; the front left perspective view being a mirror image of FIG. 8.
The broken lines shown in FIGS. 2-4 and 6-8 immediately adjacent the shaded areas define the bounds of the claimed design; all other broken lines shown in the figures are for illustrative purposes only. None of the broken lines in the figures form a part of the claimed design.

1 Claim, 8 Drawing Sheets



U.S. PATENT DOCUMENTS

2,314,386 A 3/1943 Brend
 2,544,108 A 3/1951 Richardson
 2,616,728 A * 11/1952 Pitt 285/47
 2,930,635 A 3/1960 Woodling
 3,015,510 A 1/1962 Bates
 D197,200 S * 12/1963 Miller D23/386
 D234,847 S 4/1975 Hoffman
 3,955,834 A 5/1976 Ahlrot
 4,007,941 A 2/1977 Stancati
 4,050,703 A 9/1977 Tuvevsson et al.
 4,193,246 A 3/1980 Schiefer et al.
 4,216,981 A 8/1980 Jensen
 4,369,159 A 1/1983 Irmer
 D273,702 S 5/1984 Widerby et al.
 4,664,421 A 5/1987 Jones
 5,080,403 A * 1/1992 Paoluccio 285/229
 5,390,961 A * 2/1995 Guthrie 285/41
 5,405,174 A 4/1995 Sondén et al.
 5,407,122 A 4/1995 Stefansson et al.
 D360,018 S 7/1995 Sonden
 D360,019 S 7/1995 Sonden
 D360,020 S 7/1995 Sondén et al.
 D360,021 S 7/1995 Sonden
 D361,829 S 8/1995 Sonden
 D362,299 S 9/1995 Sonden
 D362,300 S 9/1995 Sonden
 D363,115 S 10/1995 Lennartsson
 5,473,815 A 12/1995 Sonden et al.
 D367,316 S 2/1996 Sondén et al.
 D368,304 S 3/1996 Morrison
 5,531,460 A 7/1996 Stefansson et al.
 D377,829 S 2/1997 Andresen
 5,599,600 A 2/1997 Rau
 5,624,140 A * 4/1997 Allen et al. 285/133.1
 5,649,662 A 7/1997 Krichau et al.
 D383,053 S 9/1997 Schrader et al.
 D383,195 S 9/1997 Sondén et al.
 D383,196 S 9/1997 Sondén et al.
 D386,246 S 11/1997 Sondén et al.
 D402,354 S 12/1998 Strong et al.
 D407,802 S 4/1999 Hatfield et al.
 D427,667 S 7/2000 Stout, Jr.
 D427,668 S 7/2000 Stout, Jr.
 D427,673 S 7/2000 Stout, Jr.
 D430,482 S 9/2000 Stout, Jr.
 D431,634 S * 10/2000 Mantz D23/263
 D435,090 S 12/2000 Stout, Jr.
 D437,034 S 1/2001 Stout, Jr.
 6,170,883 B1 1/2001 Mattsson et al.
 D447,223 S 8/2001 Mattsson et al.

6,322,111 B1 * 11/2001 Brady 285/370
 D454,949 S 3/2002 Mattsson et al.
 D456,071 S 4/2002 Mattsson et al.
 D456,072 S 4/2002 Mattsson et al.
 D461,887 S 8/2002 Mattsson et al.
 6,431,609 B1 8/2002 Andersson

FOREIGN PATENT DOCUMENTS

FR	2015241	4/1970
GB	1587018	3/1981
IT	1285018	3/1998
NO	174861	4/1994
SE	13987	1/1974
SE	17788	4/1976
SE	19819	4/1977
SE	25473	4/1980
SE	25610	4/1980
SE	26059	7/1980
SE	26995	12/1980
WO	WO9415133	7/1994

OTHER PUBLICATIONS

U.S. Appl. No. 29/138,782.
 U.S. Appl. No. 29/138,790.
 U.S. Appl. No. 29/138,783.
 U.S. Appl. No. 29/138,786.
 U.S. Appl. No. 29/138,771.
 U.S. Appl. No. 29/138,760.
 U.S. Appl. No. 29/138,836.
 U.S. Appl. No. 29/138,764.
 U.S. Appl. No. 29/138,668.
 U.S. Appl. No. 29/138,784.
 U.S. Appl. No. 29/138,781.
 U.S. Appl. No. 29/138,842.
 U.S. Appl. No. 29/138,837.
 U.S. Appl. No. 29/138,763
 U.S. Appl. No. 29/138,829.
 U.S. Appl. No. 29/138,762.
 "Sistema Di Tenuta Ring", Issued by Climovent System, an Italian Company; pp. 1-6 (Undated).
 "Veloduct" catalog 1997, ABB Ventilation Products AB, Division Veloduct.
Ducts and Fittings Products Brochure, Lindab Ltd., Great Britain (undated), front and back covers and pp. 3-52.
 Hallstroms Verkstader 2 page advertisement and an English translation of portions thereof. Mar. 21, 2000.

* cited by examiner

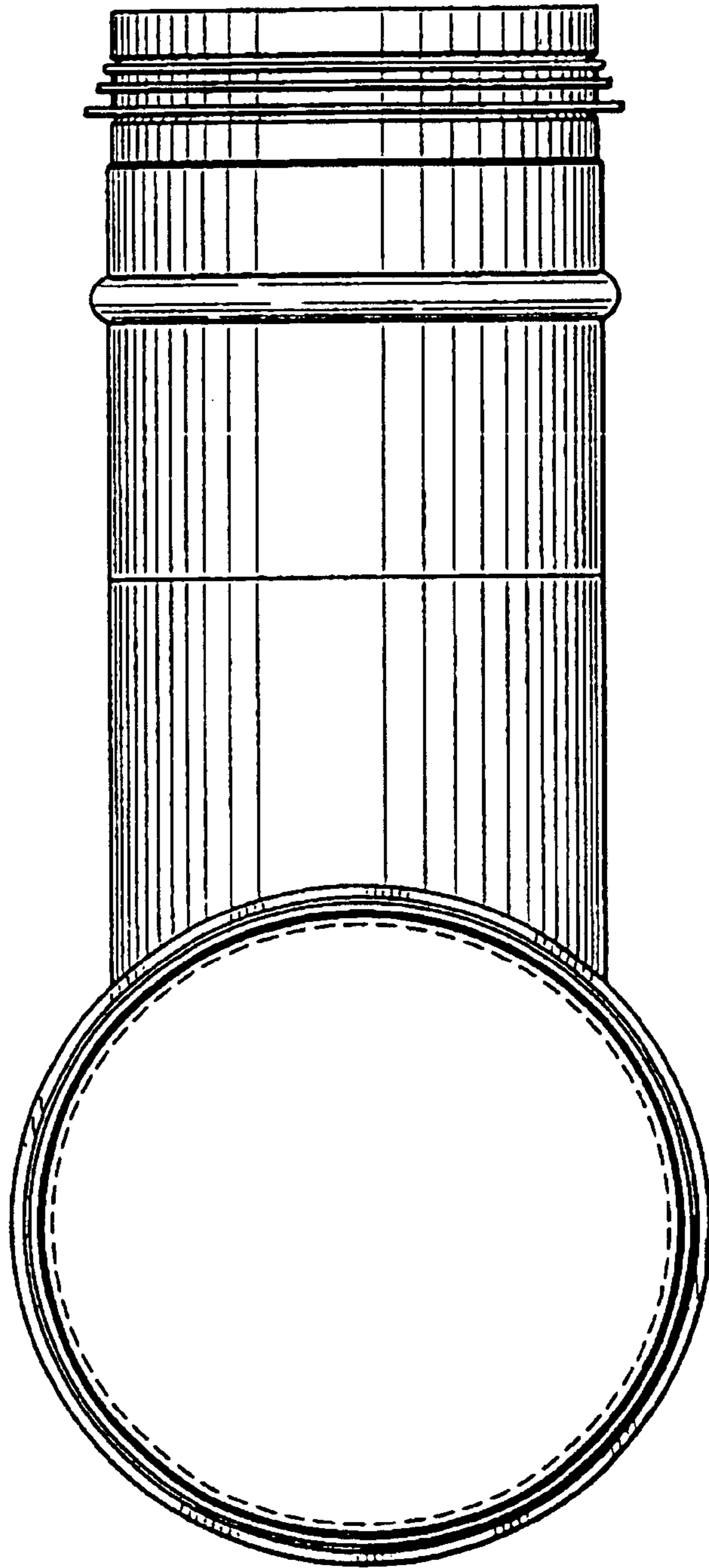


FIG. 1

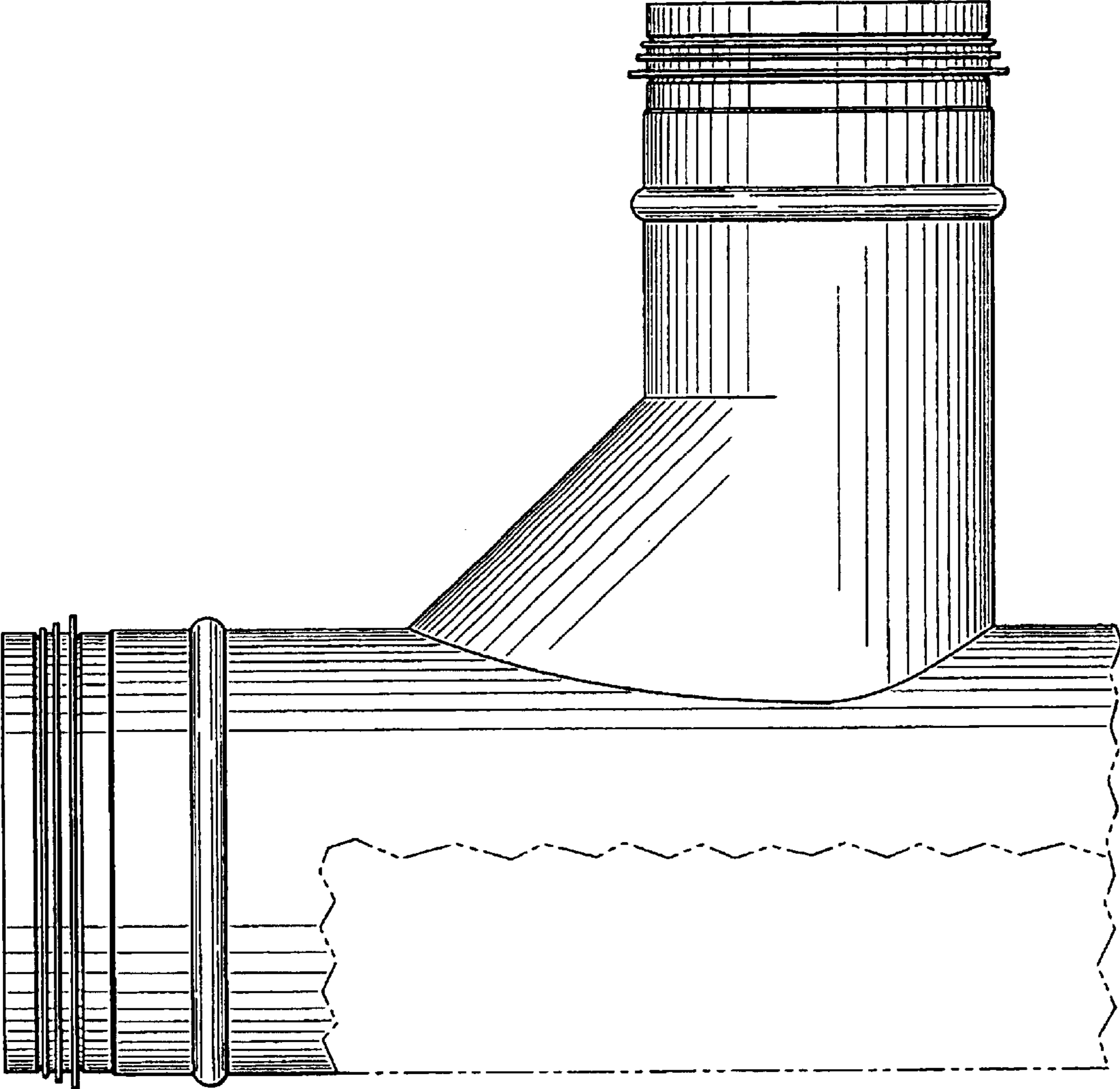


FIG. 2

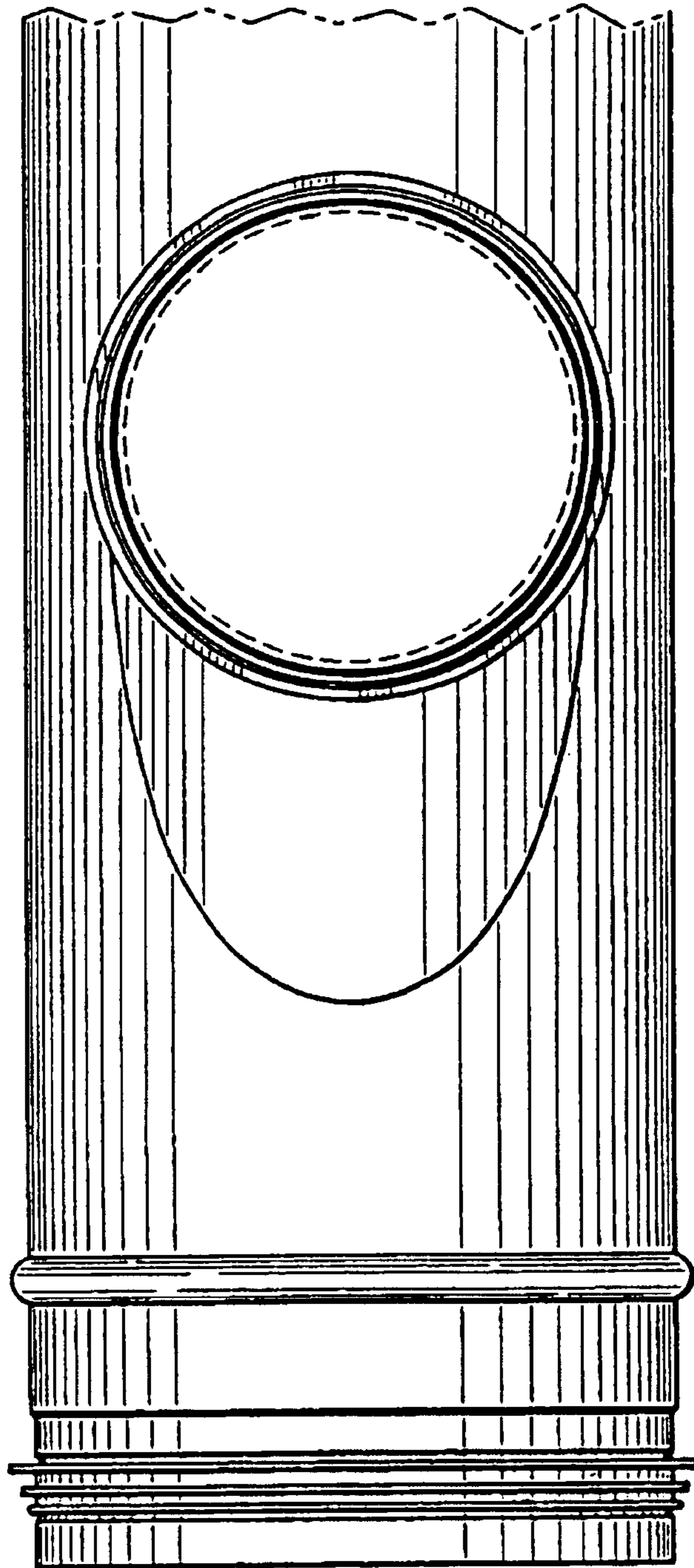


FIG. 3

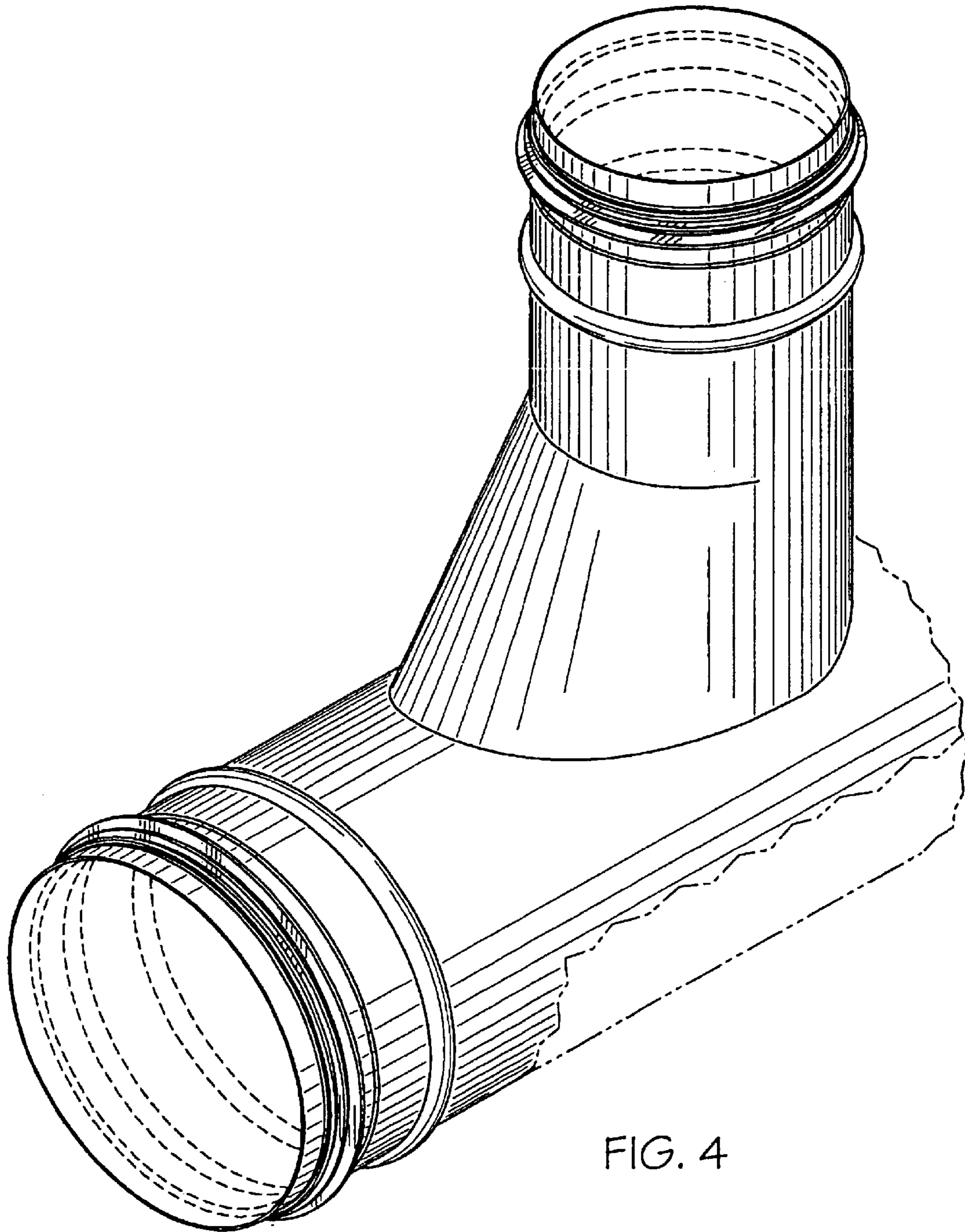


FIG. 4

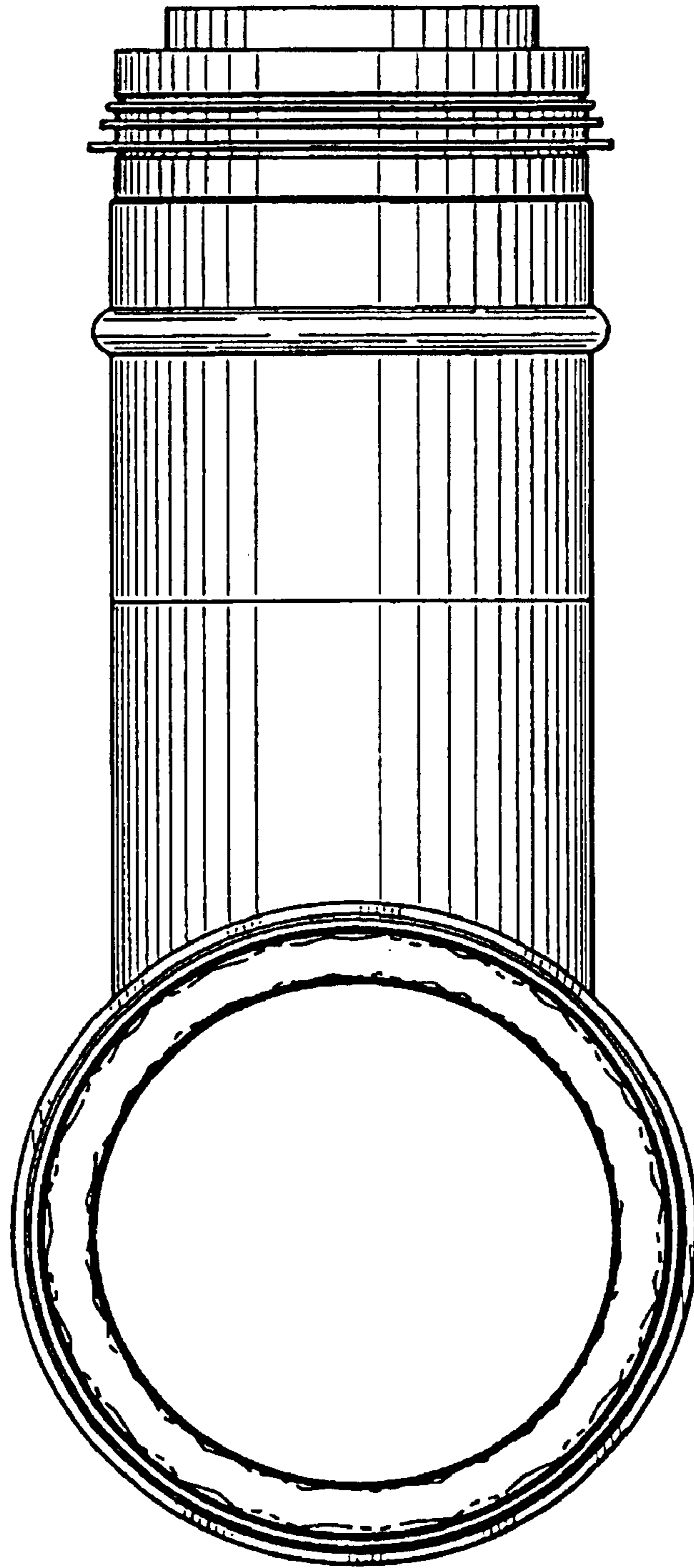


FIG. 5

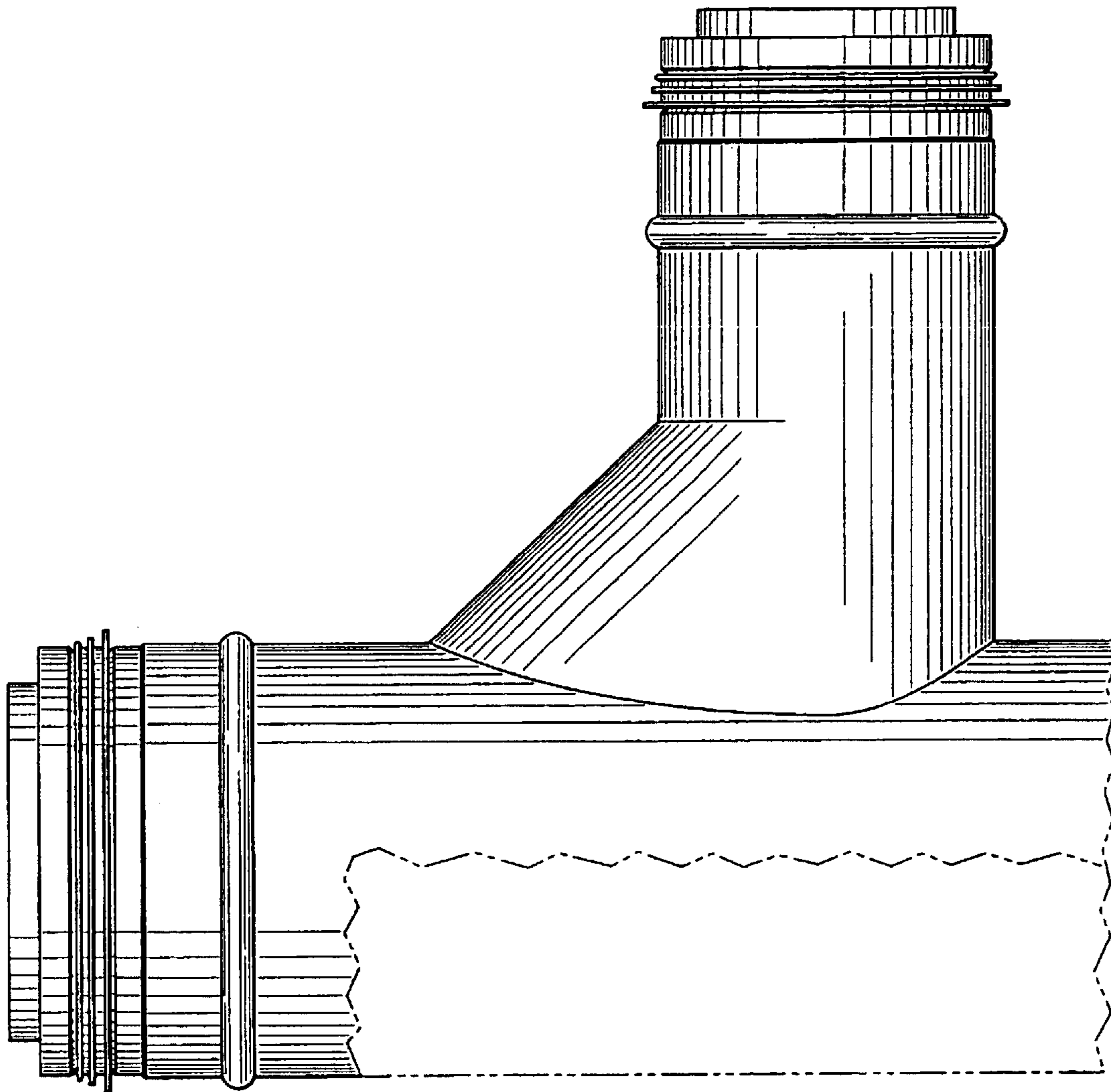


FIG. 6

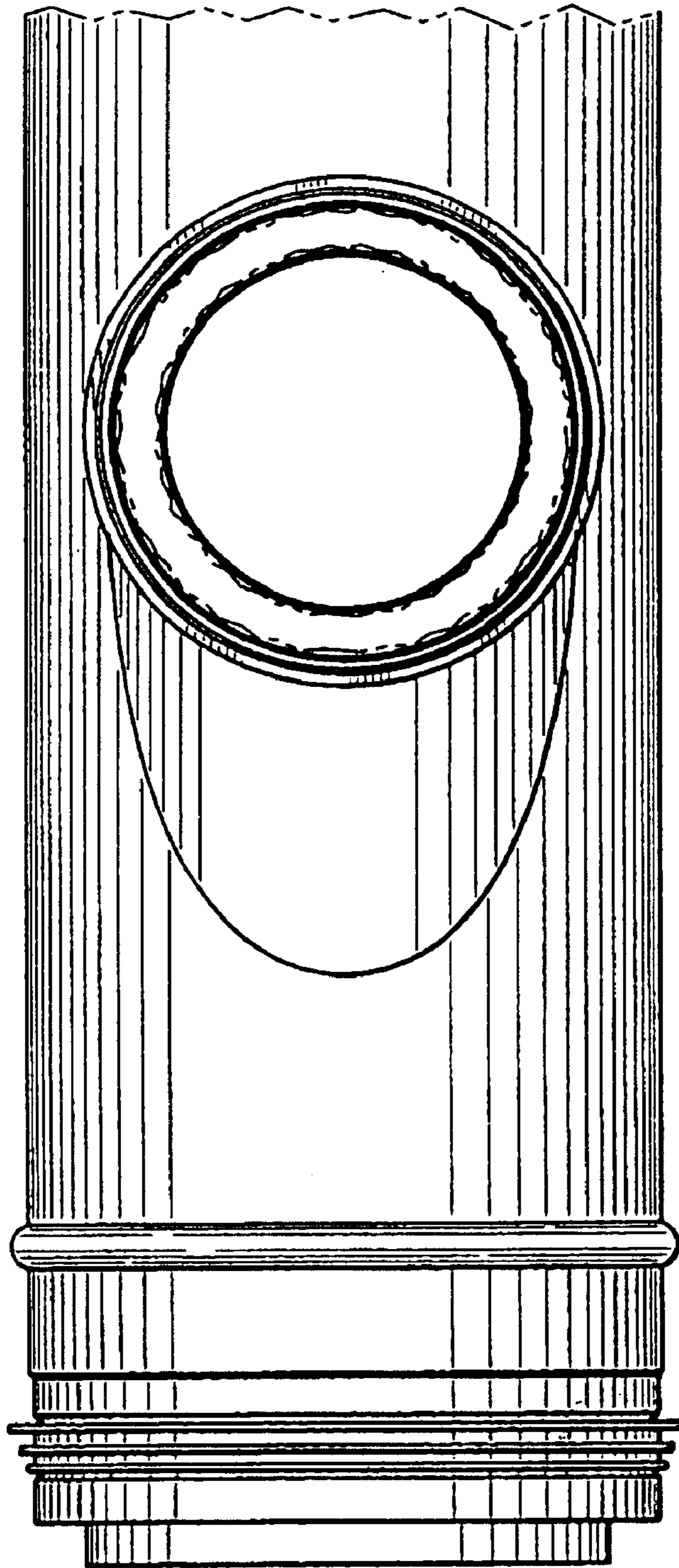


FIG. 7

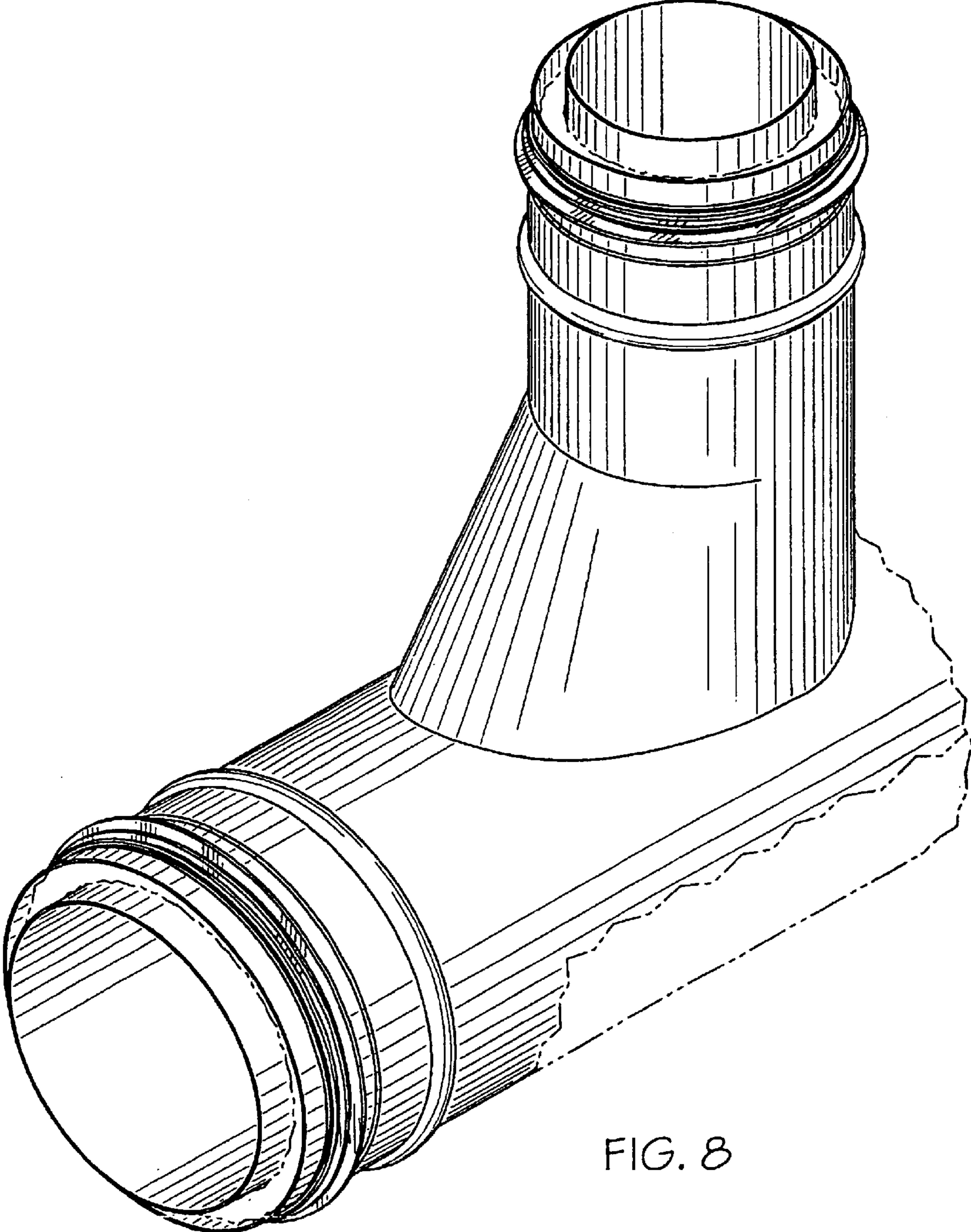


FIG. 8