



US00D523129S

(12) **United States Design Patent** (10) **Patent No.:** **US D523,129 S**
Caserta et al. (45) **Date of Patent:** **** Jun. 13, 2006**

(54) **AIR FRESHENER DEVICE**

(75) Inventors: **Andrea Caserta**, Barcelona (ES);
Jaume Cardellach Lopez, Barcelona
(ES); **Pere Casas Colomer**, Barcelona
(ES)

(73) Assignee: **DBK Espana, S.A.** (ES)

(**) Term: **14 Years**

(21) Appl. No.: **29/227,121**

(22) Filed: **Apr. 6, 2005**

Related U.S. Application Data

(62) Division of application No. 29/198,551, filed on Jan. 30, 2004.

(51) **LOC (8) Cl.** **23-04**

(52) **U.S. Cl.** **D23/366**

(58) **Field of Classification Search** 239/135,
239/136, 58; 261/DIG. 17, DIG. 65; D23/356-369;
392/390, 392; D21/392

See application file for complete search history.

(56) **References Cited**

U.S. PATENT DOCUMENTS

- 6,104,867 A * 8/2000 Stathakis et al. 392/403
- D437,636 S * 2/2001 Basaganas D23/366
- D440,291 S * 4/2001 Wolpert et al. D23/360
- D447,550 S * 9/2001 Basaganas D23/366
- D449,101 S * 10/2001 Wolpert et al. D23/366
- D461,885 S * 8/2002 Jordi D23/366

- D462,755 S * 9/2002 Basaganas Millan D23/366
- D466,204 S * 11/2002 Wolpert et al. D23/366
- D469,862 S * 2/2003 Cruver et al. D23/366
- D501,546 S * 2/2005 Cruver et al. D23/366

* cited by examiner

Primary Examiner—Sandra S. Snapp

(74) *Attorney, Agent, or Firm*—Schiff Hardin LLP

(57) **CLAIM**

The ornamental design for an air freshener device, as shown and described.

DESCRIPTION

FIG. 1 is a back and side perspective view of an embodiment of an air freshener device in accordance with the present invention;

FIG. 2 is a front and side perspective view of an embodiment of an air freshener device in accordance with the present invention;

FIG. 3 is a back view of an embodiment of an air freshener device in accordance with the present invention;

FIG. 4 is a side view of an embodiment of an air freshener device in accordance with the present invention;

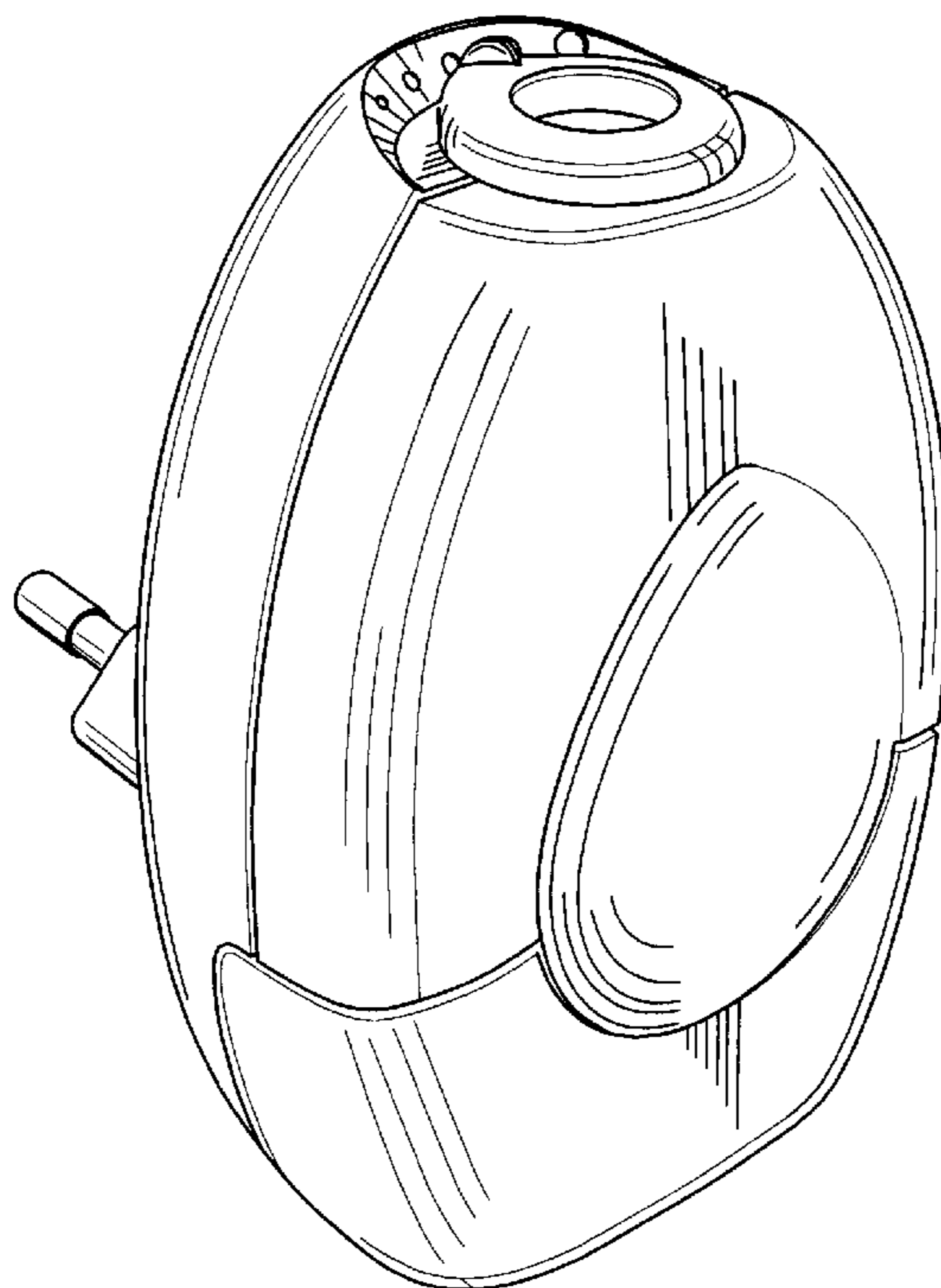
FIG. 5 is a top view of an embodiment of an air freshener device in accordance with the present invention;

FIG. 6 is a front view of an embodiment of an air freshener device in accordance with the present invention;

FIG. 7 is a side view of an embodiment of an air freshener device in accordance with the present invention; and,

FIG. 8 is a bottom view of an embodiment of an air freshener device in accordance with the present invention.

1 Claim, 8 Drawing Sheets



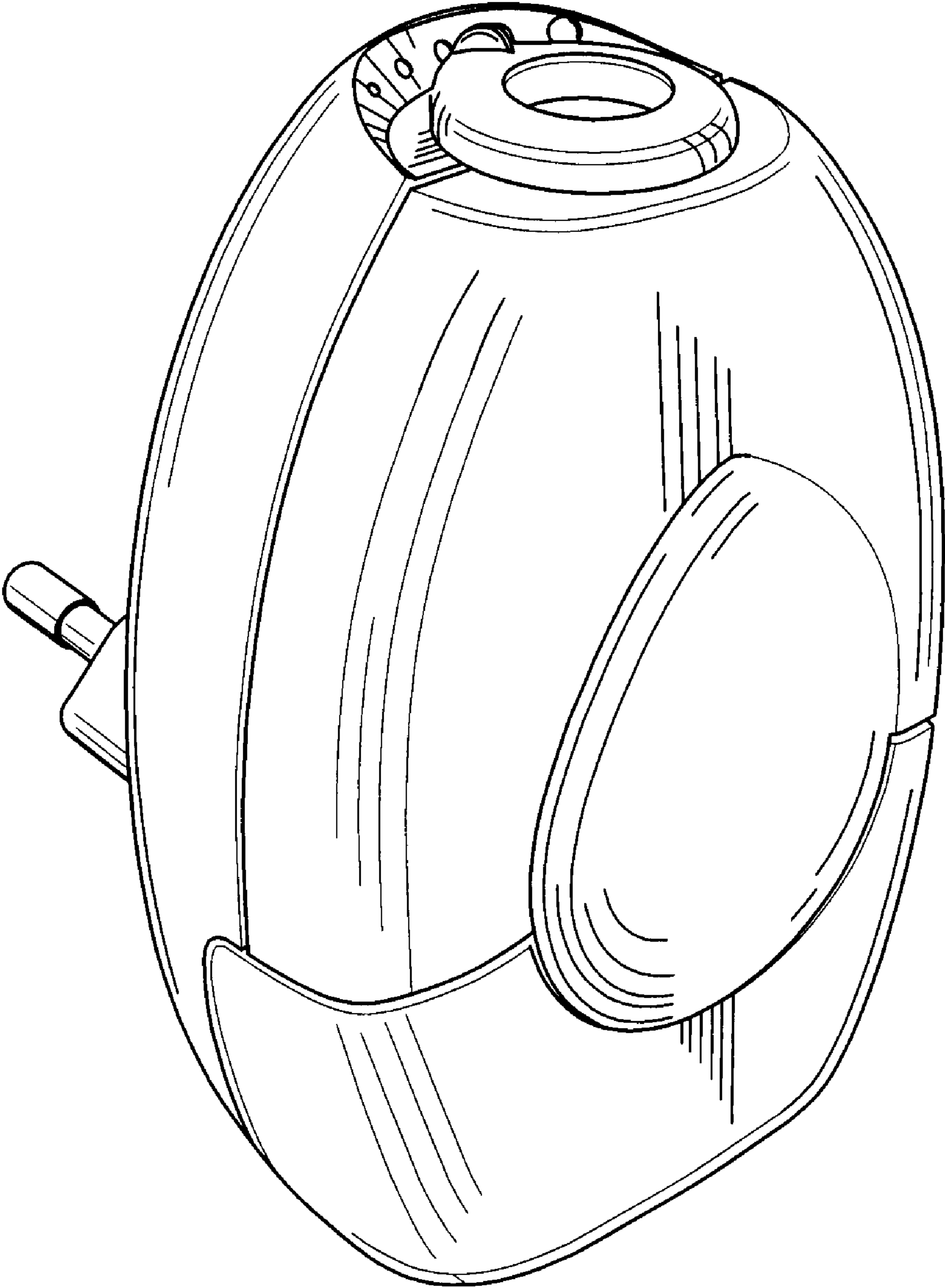


FIG. 1

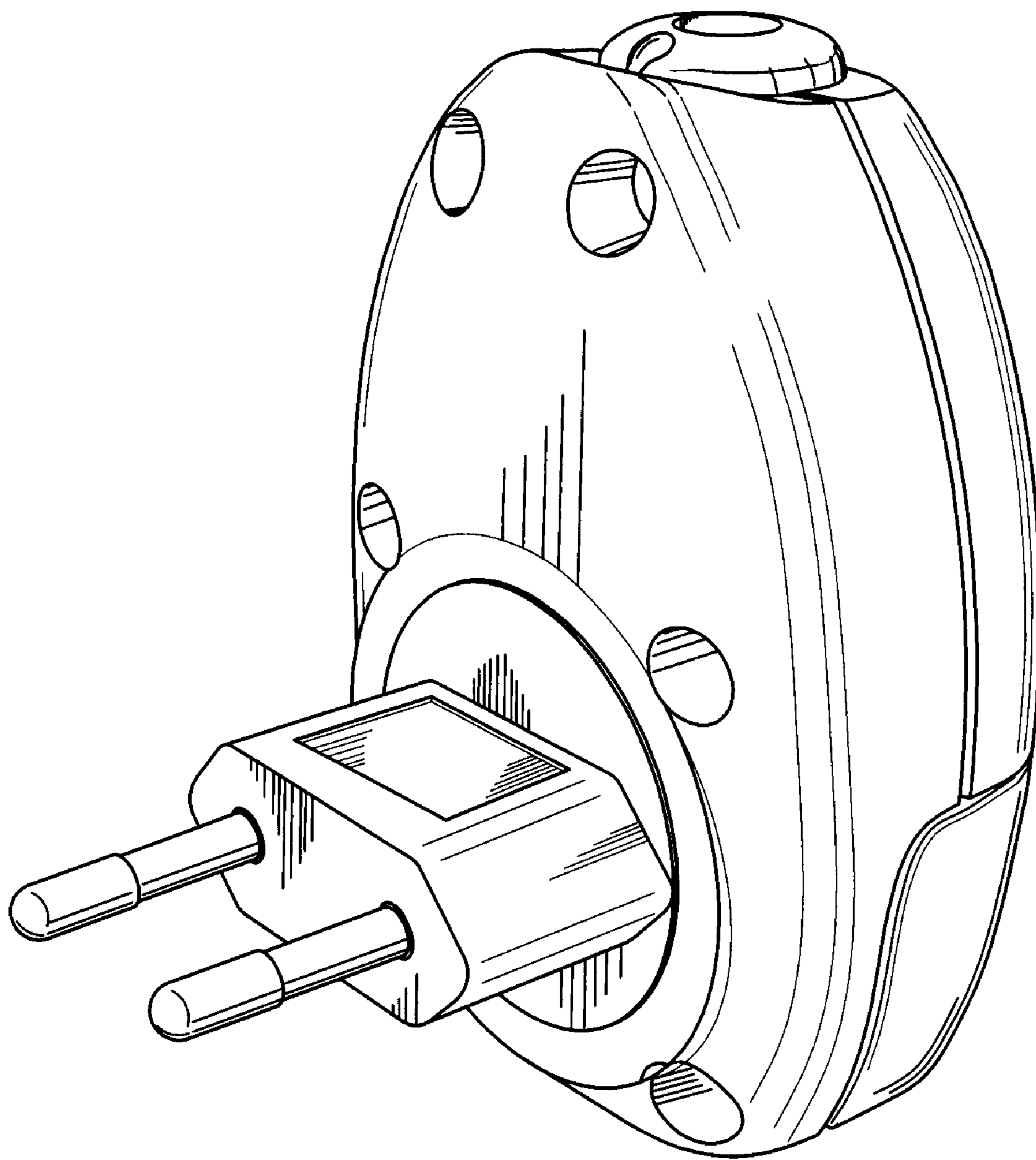


FIG. 2

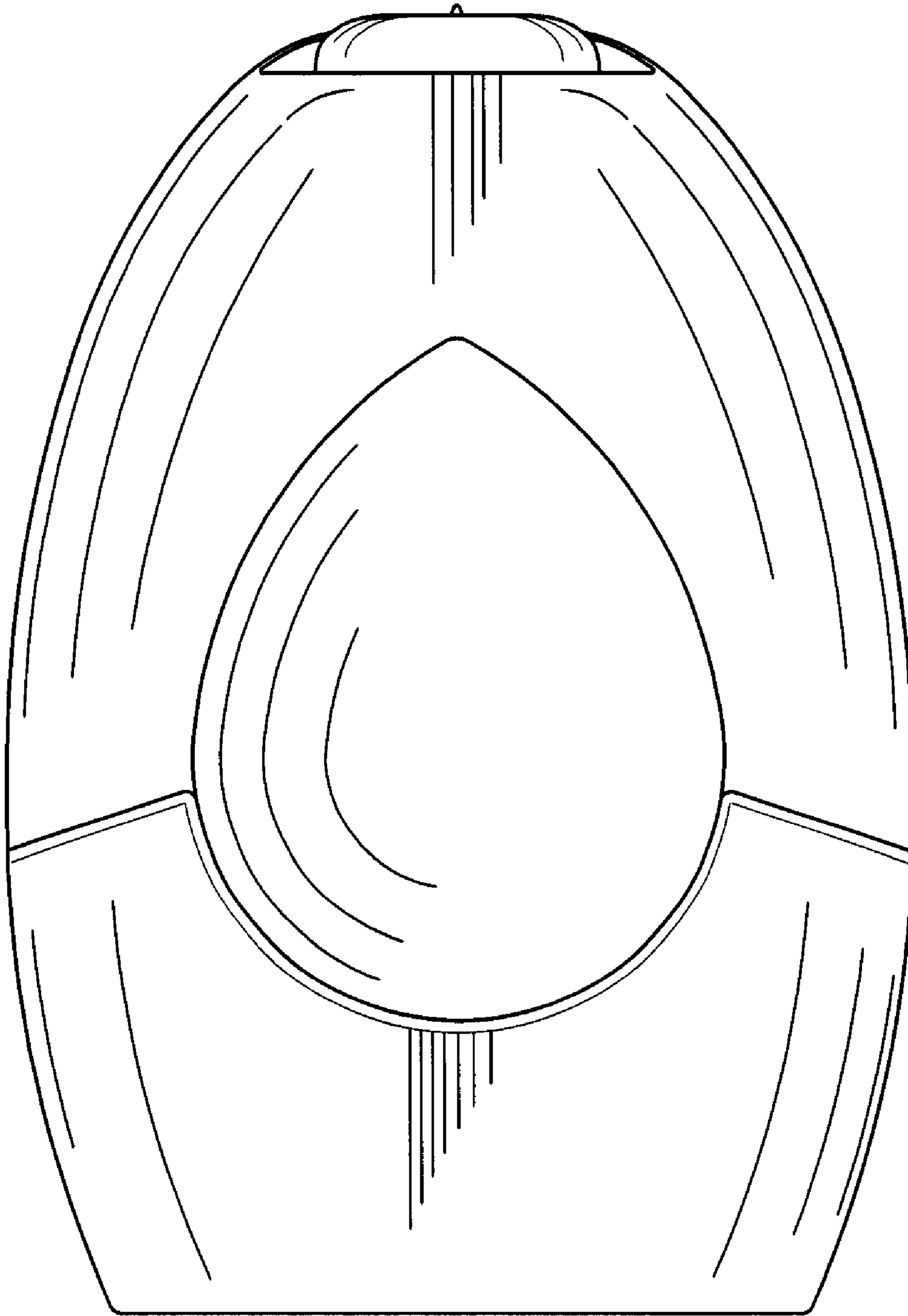


FIG. 3

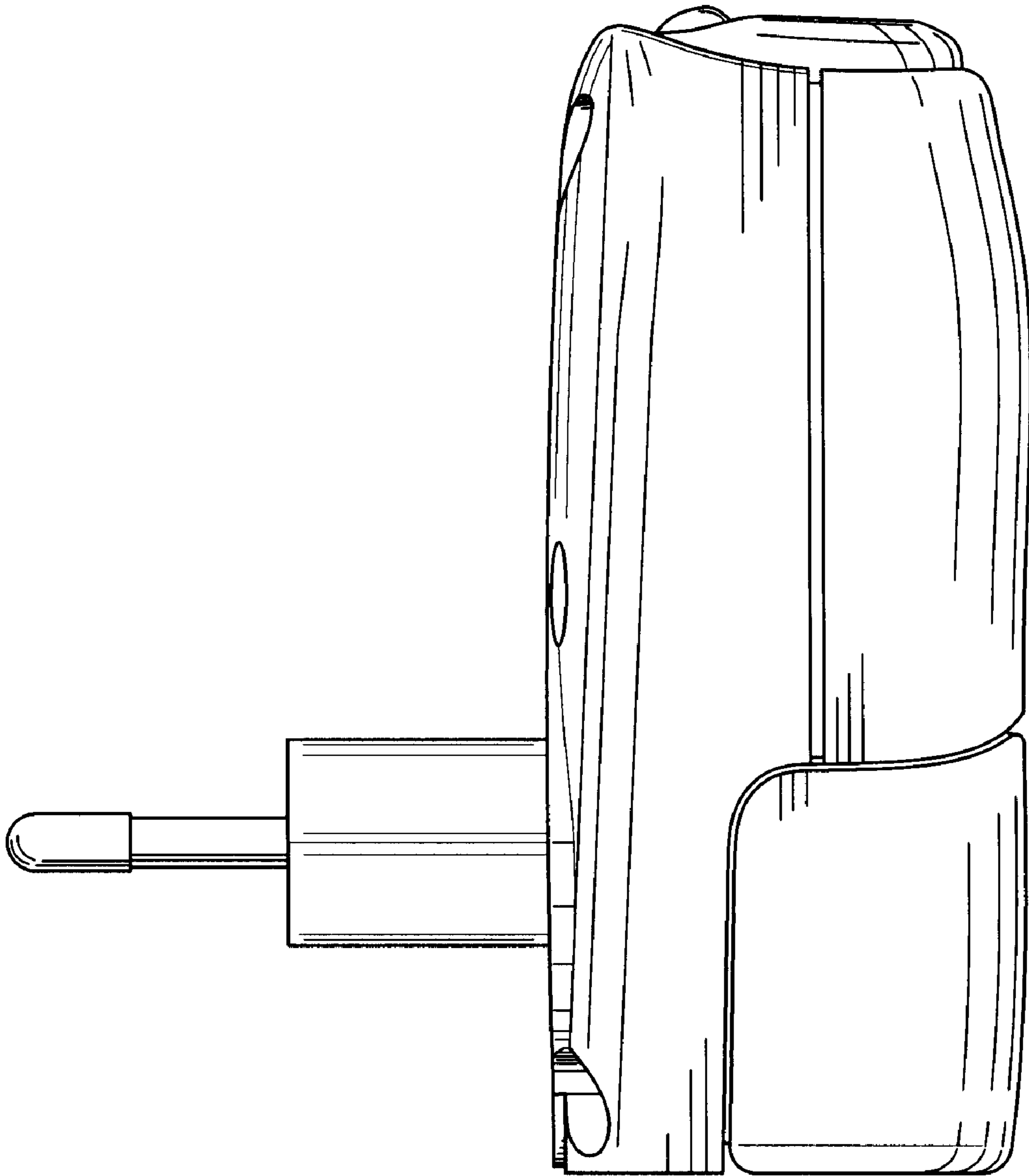


FIG. 4

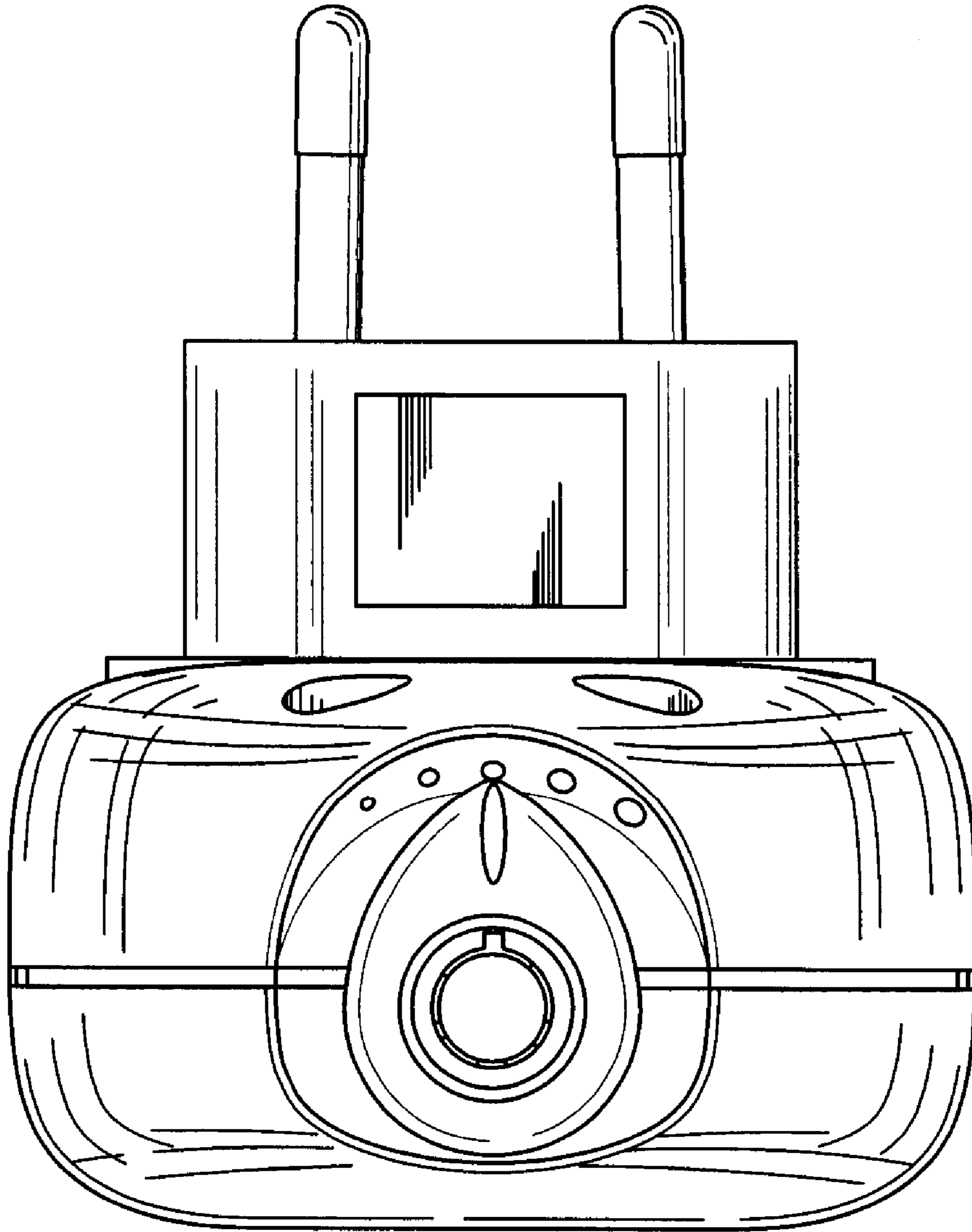


FIG. 5

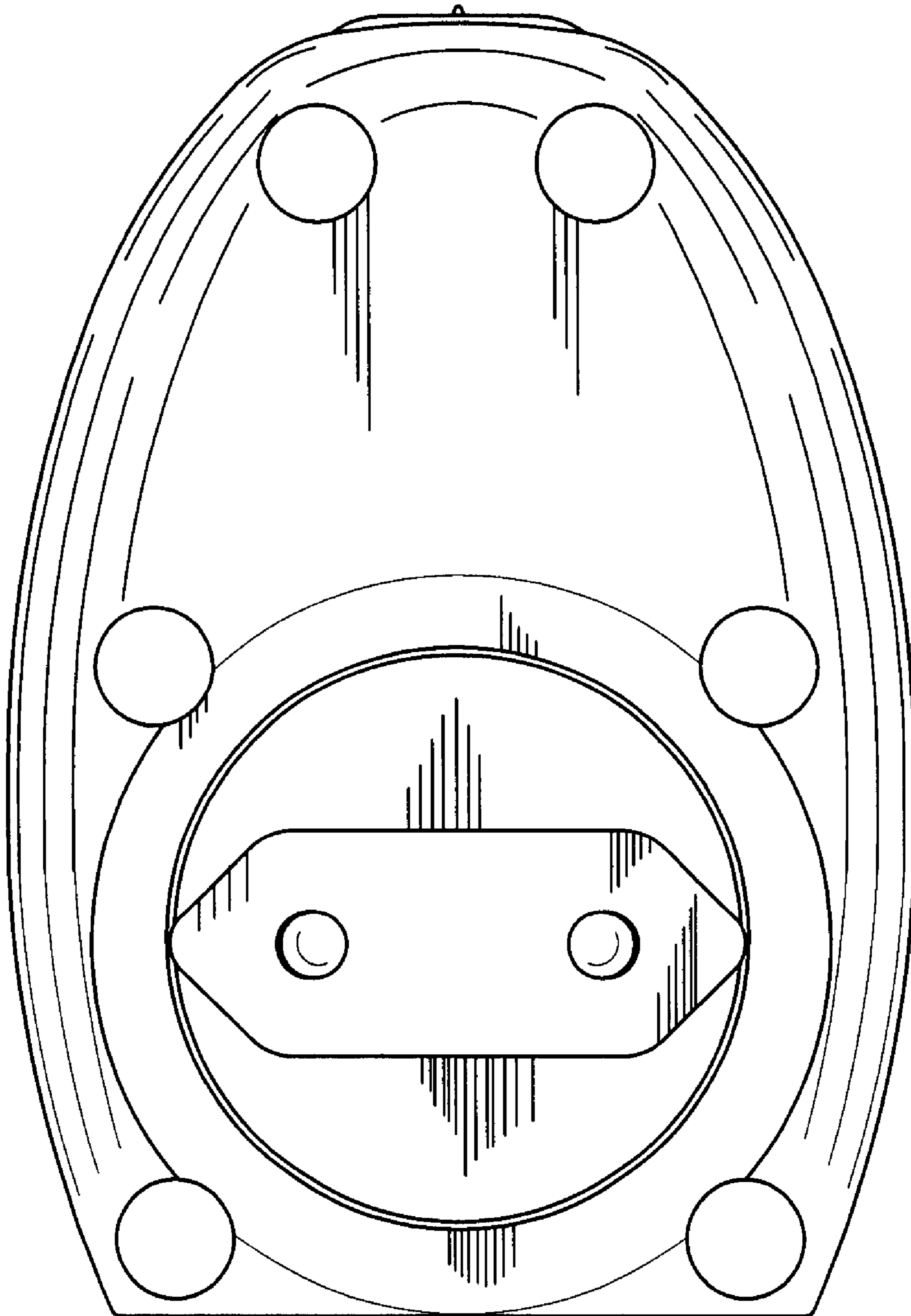


FIG. 6

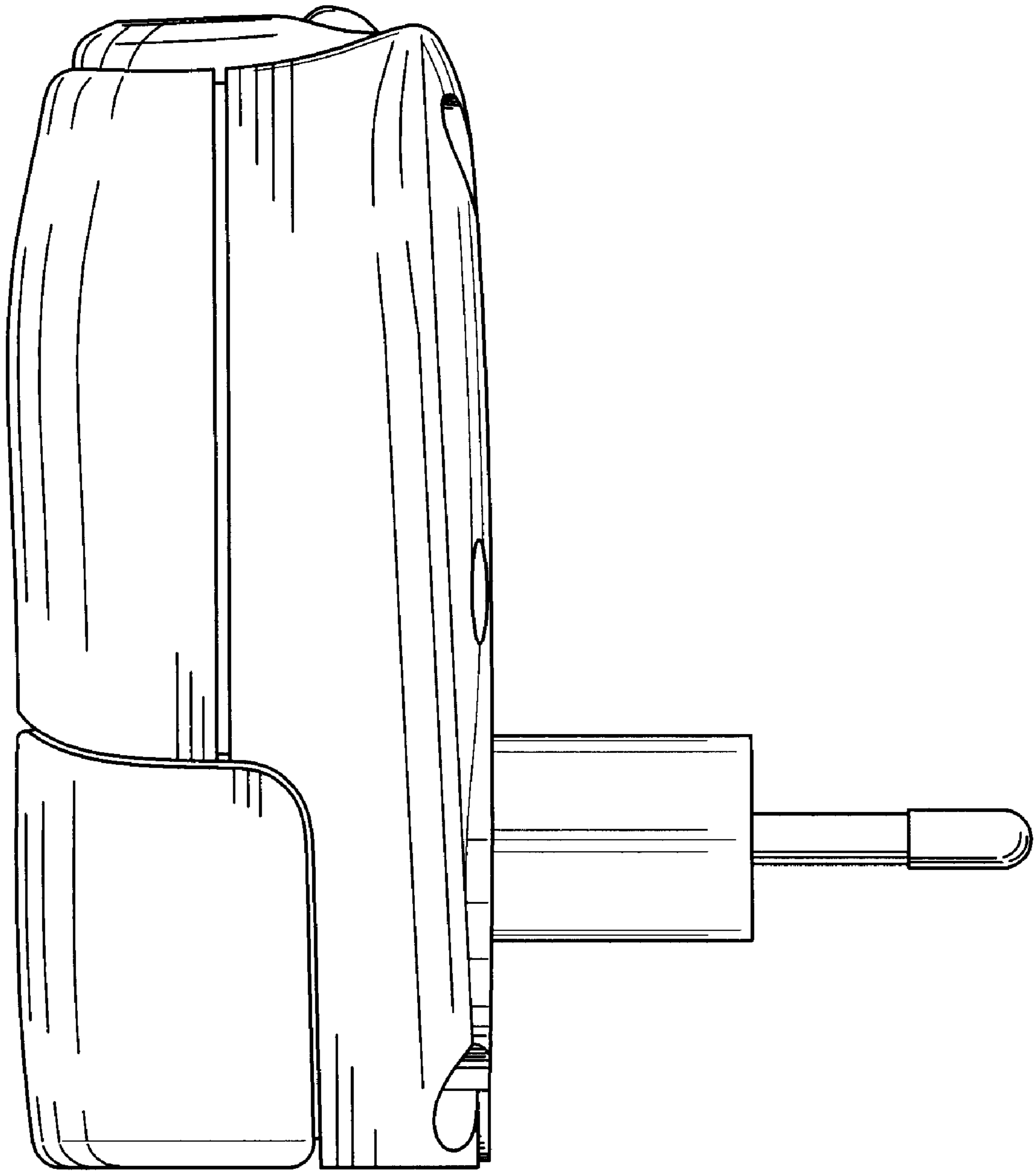


FIG. 7

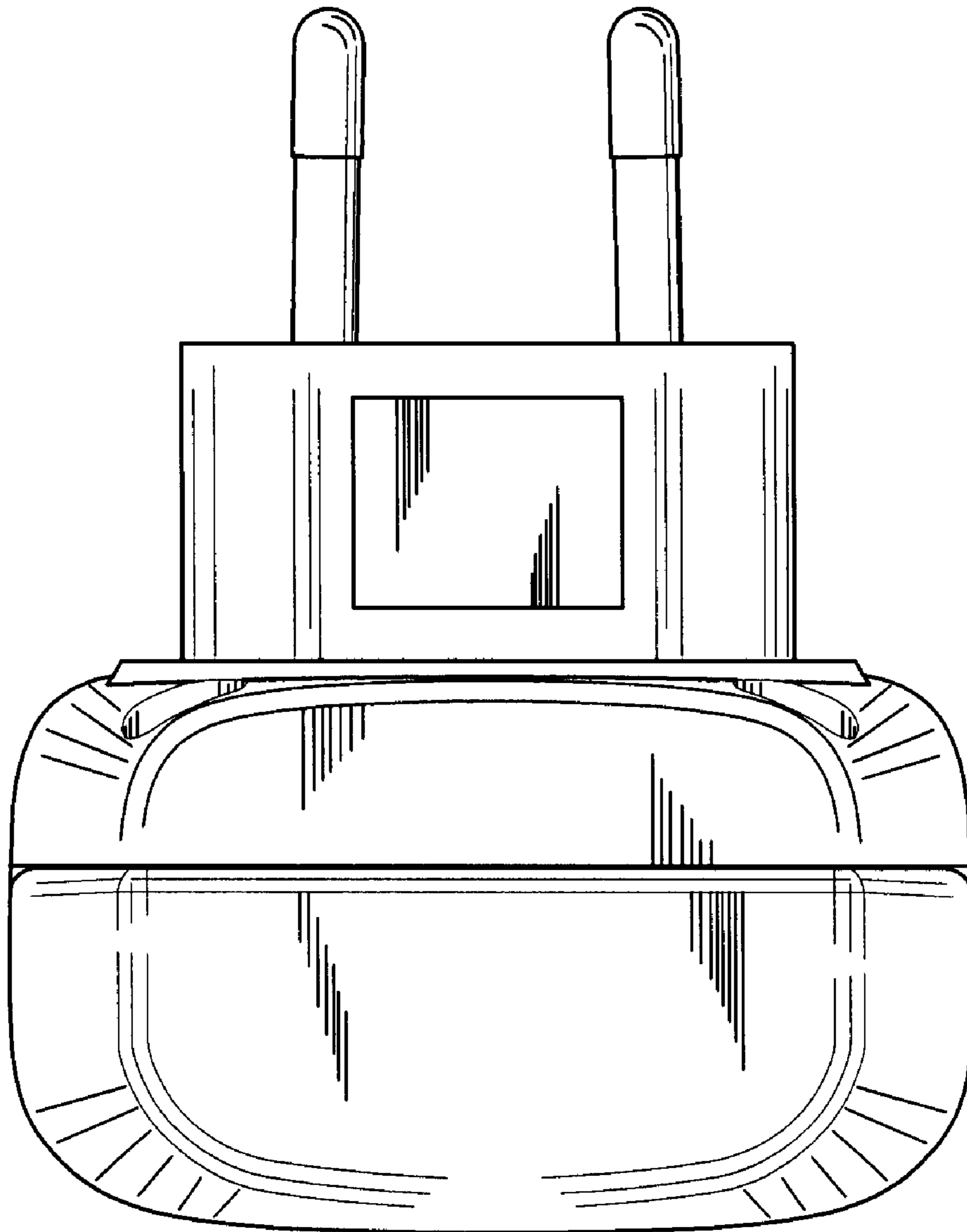


FIG. 8