

US00D523127S

(12) **United States Design Patent**
Sublett

(10) **Patent No.:** **US D523,127 S**
(45) **Date of Patent:** **** Jun. 13, 2006**

(54) **URINATION SHIELD/CATCH BASIN FOR A
COMMODOE SEAT**

(76) Inventor: **Steven Chris Sublett**, 6888 Twin Fork
Rd., Cattlesburg, KY (US) 41129

(**) Term: **14 Years**

(21) Appl. No.: **29/225,020**

(22) Filed: **Mar. 10, 2005**

(51) **LOC (8) Cl.** **23-02**

(52) **U.S. Cl.** **D23/310**

(58) **Field of Classification Search** D23/296,
D23/302-303, 309, 311-312; 4/233, 243.1,
4/243.3, 239, 244.2, 245.1, 245.8, 300.3;
297/219.1, 219.12; D6/610-612
See application file for complete search history.

(56) **References Cited**

U.S. PATENT DOCUMENTS

1,950,016	A	*	3/1934	Zuckerman	4/239
2,548,238	A	*	4/1951	Potts et al.	4/239
2,583,718	A		1/1952	Walls		
2,992,439	A	*	7/1961	Van Tassel	23/296
3,931,649	A		1/1976	Jankowski		
3,971,077	A	*	7/1976	O'Neil	4/239
D245,425	S		8/1977	Annis		
4,348,776	A		9/1982	Sarjeant		
4,381,568	A	*	5/1983	Brown	D23/296
4,716,602	A		1/1988	Brickhouse		
4,912,784	A		4/1990	Jacobson et al.		
5,117,512	A		6/1992	Bressler		
5,216,760	A		6/1993	Brown et al.		
5,276,925	A		1/1994	Blaha		
5,564,135	A		10/1996	Jones et al.		
5,625,905	A		5/1997	Woods		
5,732,416	A		3/1998	Albert		
5,815,851	A		10/1998	Perry		

5,983,410	A	11/1999	Webster
6,032,302	A	3/2000	Eckert
6,357,055	B1	3/2002	Gambla et al.
6,385,785	B1	5/2002	Linden
6,408,447	B1	6/2002	Burbank et al.
6,487,730	B1	12/2002	Pardo et al.
6,550,075	B1	4/2003	Brannon, III
6,594,831	B1	7/2003	Pardo et al.
6,708,350	B1	3/2004	Devereux
2002/0038475	A1	4/2002	Garrett et al.
2004/0231037	A1	11/2004	Erves
2004/0237181	A1	12/2004	Atkins-Williams

* cited by examiner

Primary Examiner—Robert A. Delehanty
(74) *Attorney, Agent, or Firm*—Waters Law Office; Robert R. Waters; Brian W. Foxworthy

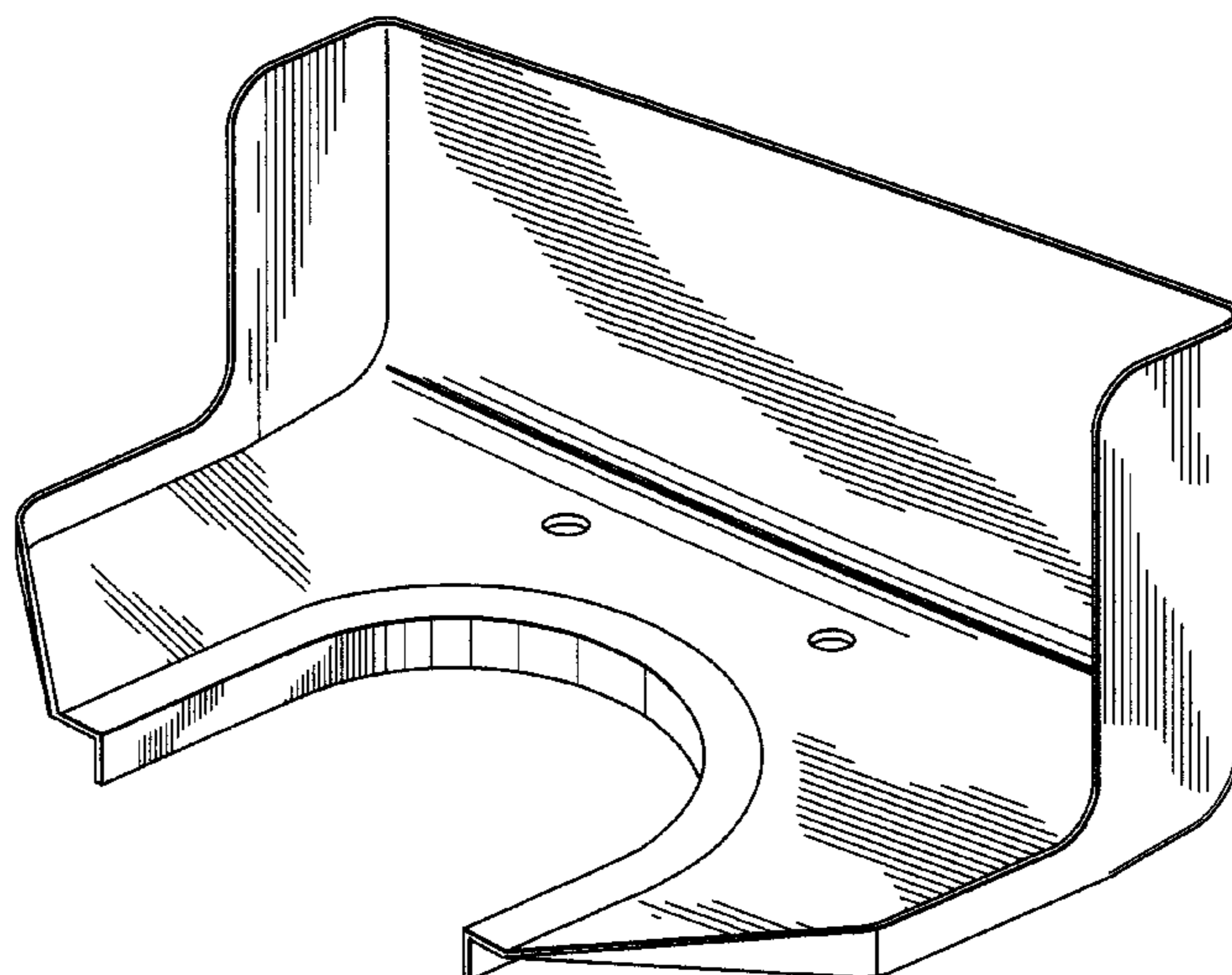
(57) **CLAIM**

The ornamental design for a urination shield/catch basin for a commode seat, as shown and described.

DESCRIPTION

FIG. 1 is a perspective view showing my new design for a urine shield/catch basin for a commode.
FIG. 2 is a top plan view of the urination shield/catch basin for a commode seat.
FIG. 3 is a back view of the urination shield/catch basin for a commode seat.
FIG. 4 is a side view of the urination shield/catch basin for a commode seat; and,
FIG. 5 is a perspective view showing my new design for a urination shield/catch basin for a commode seat in a mounted position on a conventional commode.
The broken line showing of the commode in FIG. 5 is for illustrative purposes only and forms no part of the claimed design.

1 Claim, 3 Drawing Sheets



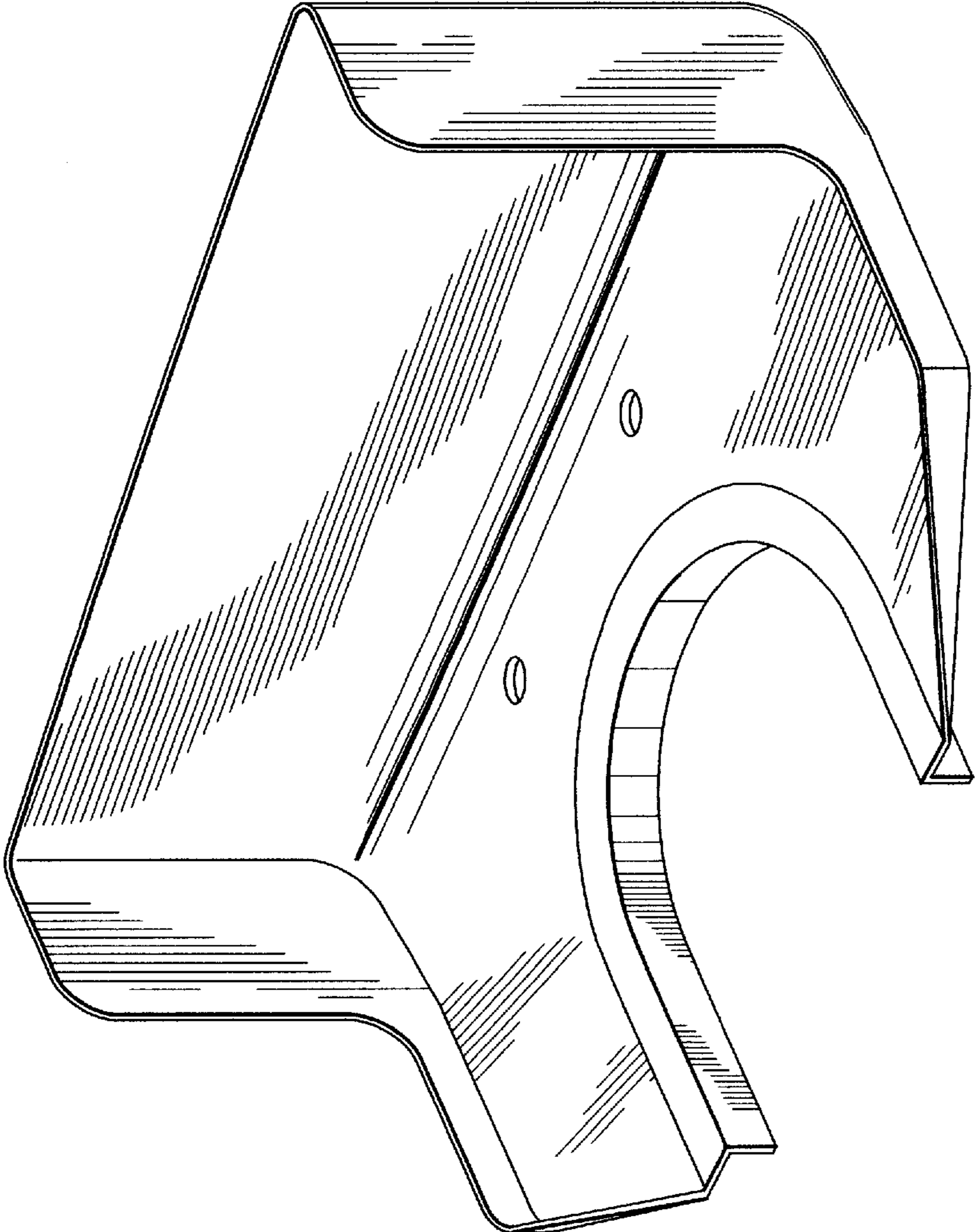


FIG. 1

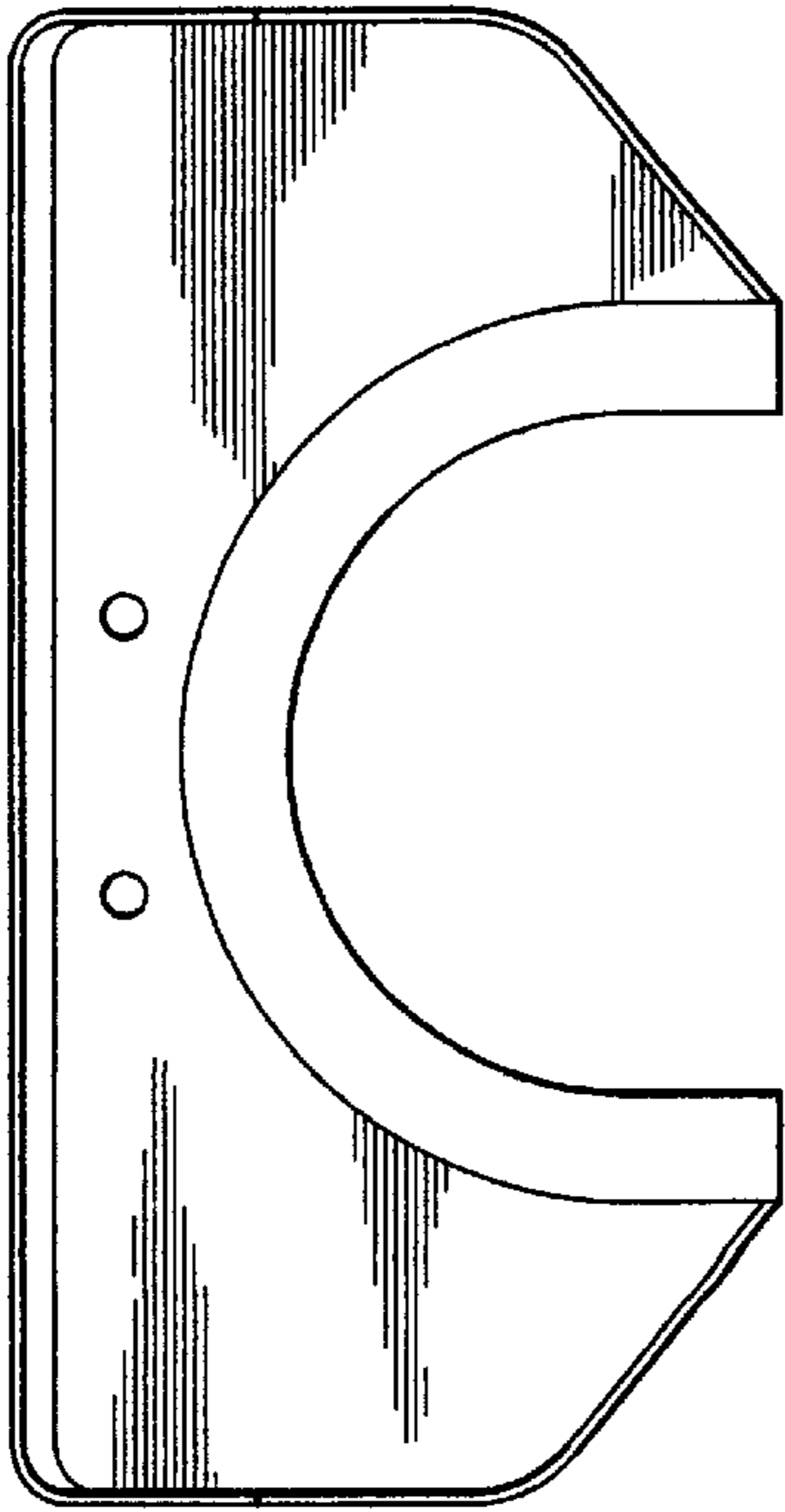


FIG. 2

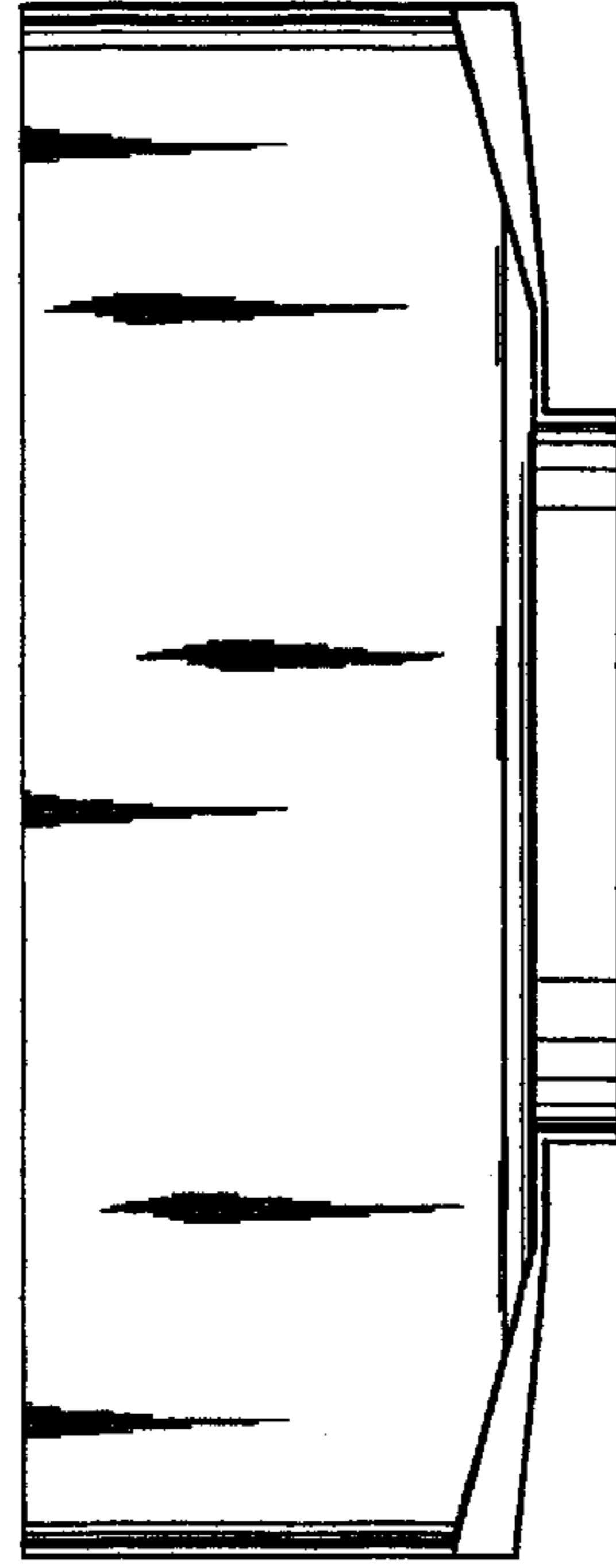


FIG. 3

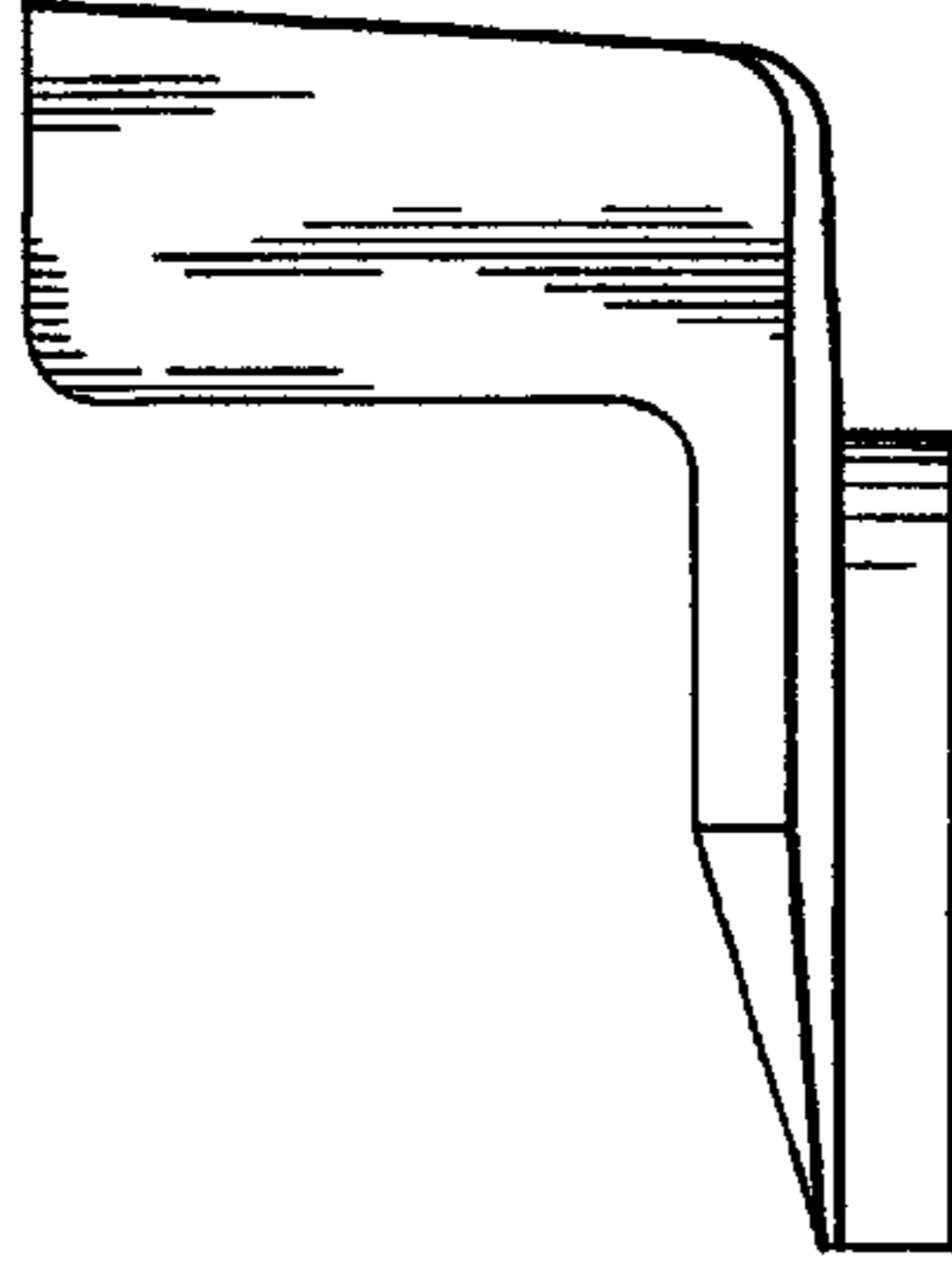


FIG. 4

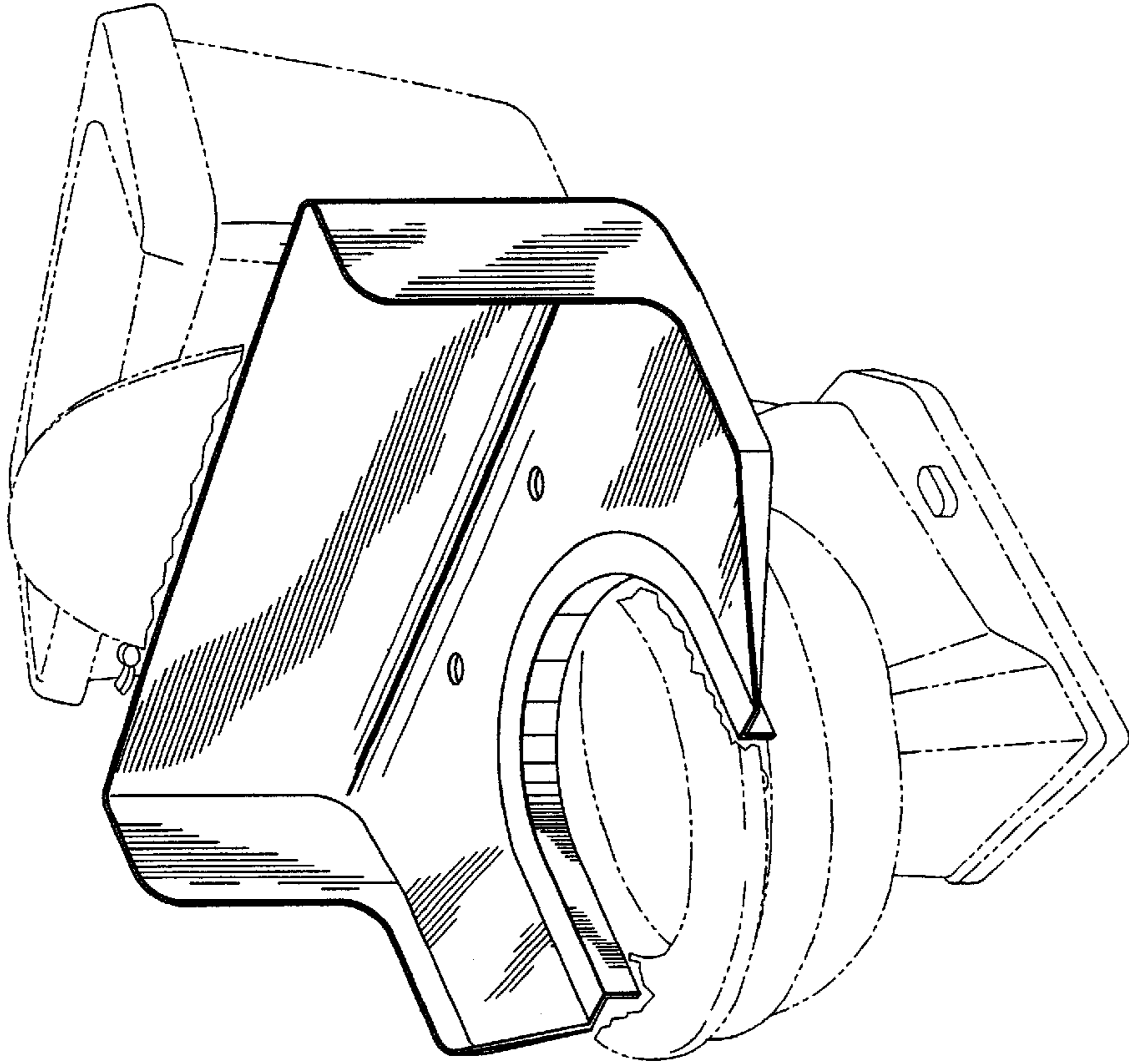


FIG. 5