

US00D523126S

(12) **United States Design Patent** (10) **Patent No.:** **US D523,126 S**
Bates (45) **Date of Patent:** **** Jun. 13, 2006**

(54) **WATER CLOSET**

(75) Inventor: **Michael R. Bates**, Sheboygan, WI (US)

(73) Assignee: **Kohler Co.**, Kohler, WI (US)

(**) Term: **14 Years**

(21) Appl. No.: **29/214,419**

(22) Filed: **Oct. 1, 2004**

(51) **LOC (8) Cl.** **23-02**

(52) **U.S. Cl.** **D23/295**

(58) **Field of Classification Search** 4/663-664,
4/300, 329, 420, 443, 661, DIG. 15; D23/270,
D23/273-274, 295, 299, 301, 303, 309, 313
See application file for complete search history.

(56) **References Cited**

U.S. PATENT DOCUMENTS

D86,995 S	5/1932	Brain
D92,215 S	5/1934	Teahen
D127,707 S	6/1941	Lyczak
D168,019 S	10/1952	Cramer
D326,315 S	5/1992	Waldren
D359,548 S	6/1995	Chen
D387,858 S	12/1997	McKeone
D390,930 S	2/1998	Slothower
D441,437 S	5/2001	McKeone
D451,175 S	11/2001	Smith
D455,822 S	4/2002	McKeone
D472,619 S	4/2003	Kawamura et al.
D480,456 S	10/2003	Svendsen et al.
D484,579 S	12/2003	Bennie

OTHER PUBLICATIONS

Kohler Wellworth K-3512-PBA and K-3510-PBA toilets,
K73 Supplemental Catalog, 1973.*
Kohler catalog p., 15.17, Two-Piece Toilets, Pinoir and
Pinoir Comfort Height.

Porcher website page, Lutezia Water Closet by Porcher,
dated Sep. 20, 2004.

* cited by examiner

Primary Examiner—Robert A. Delehanty

(74) *Attorney, Agent, or Firm*—Quarles & Brady LLP

(57) **CLAIM**

The ornamental design for a water closet, as shown and
described.

DESCRIPTION

In a preferred embodiment, the nature of this product is as
a plumbing fixture in the form of a water closet, a tank for
a water closet, and a base for a water closet.

FIG. 1 is a top, front perspective view of a base for the water
closet showing my new design;

FIG. 2 is a top plan view thereof;

FIG. 3 is a left side elevation view thereof;

FIG. 4 is a right side elevation view thereof;

FIG. 5 is a front elevation view thereof;

FIG. 6 is a rear elevation view thereof;

FIG. 7 is a bottom plan view thereof;

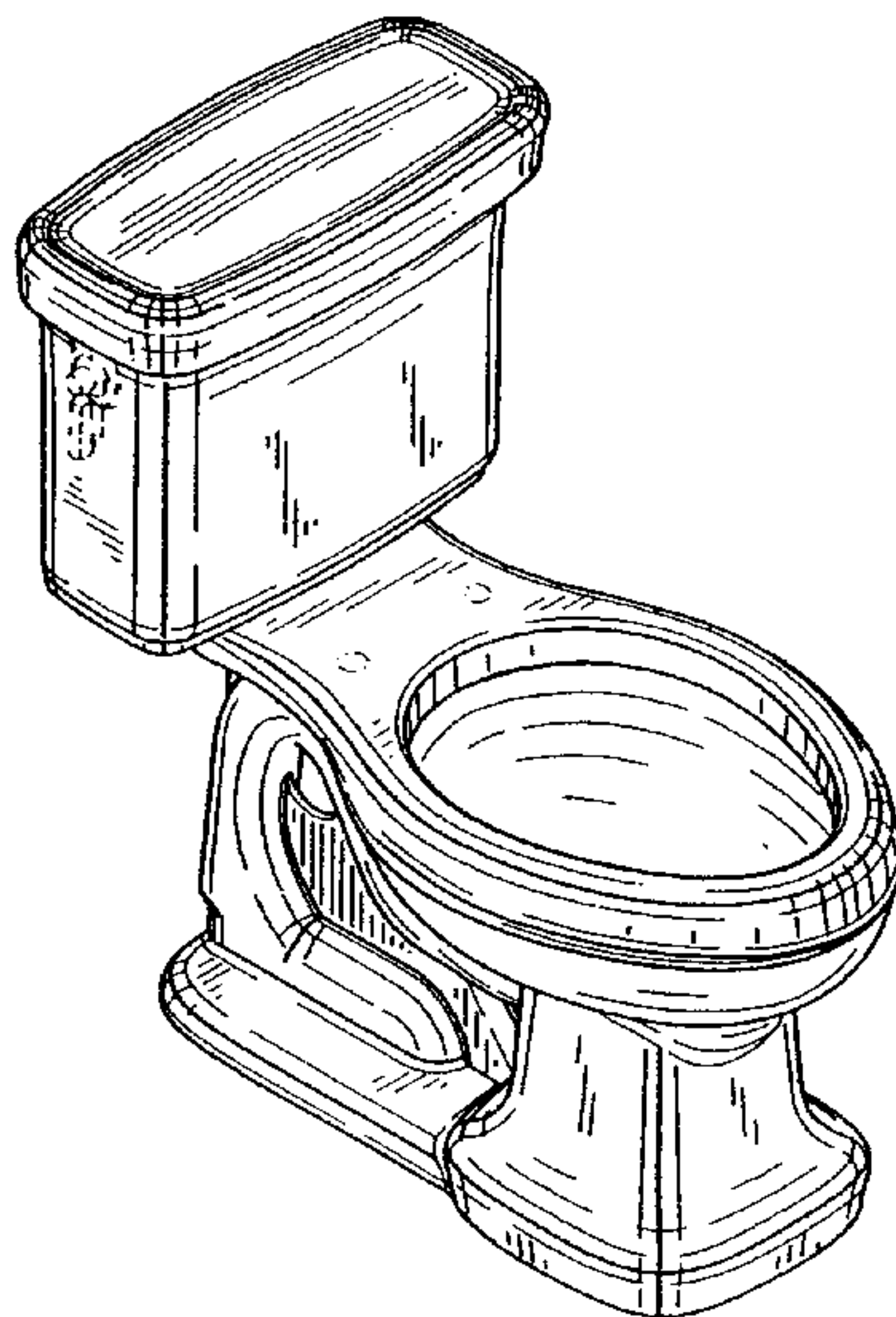
FIG. 8 is a top, left, front perspective view of another
embodiment of a base for the water closet of FIG. 1, the front
and rear elevation views thereof being similar to FIGS. 5 and
6;

FIG. 9 is a top plan view thereof; and,

FIG. 10 is a left side elevation view thereof.

The broken line representations of holes in FIGS. 1-2 and
8-9 and underside features in FIG. 7 are for the purpose of
illustration only, and form no part of the claimed design.

1 Claim, 5 Drawing Sheets



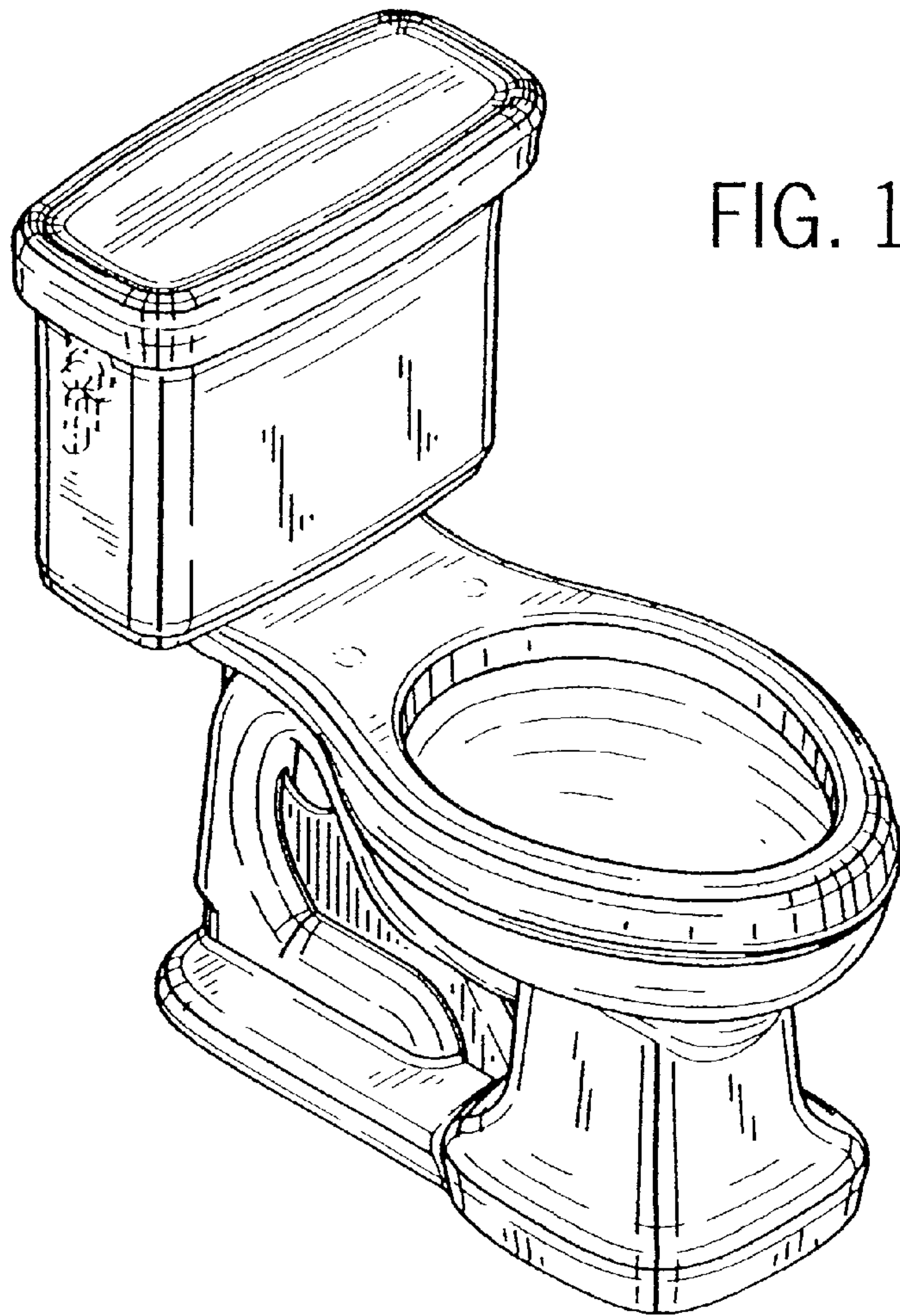
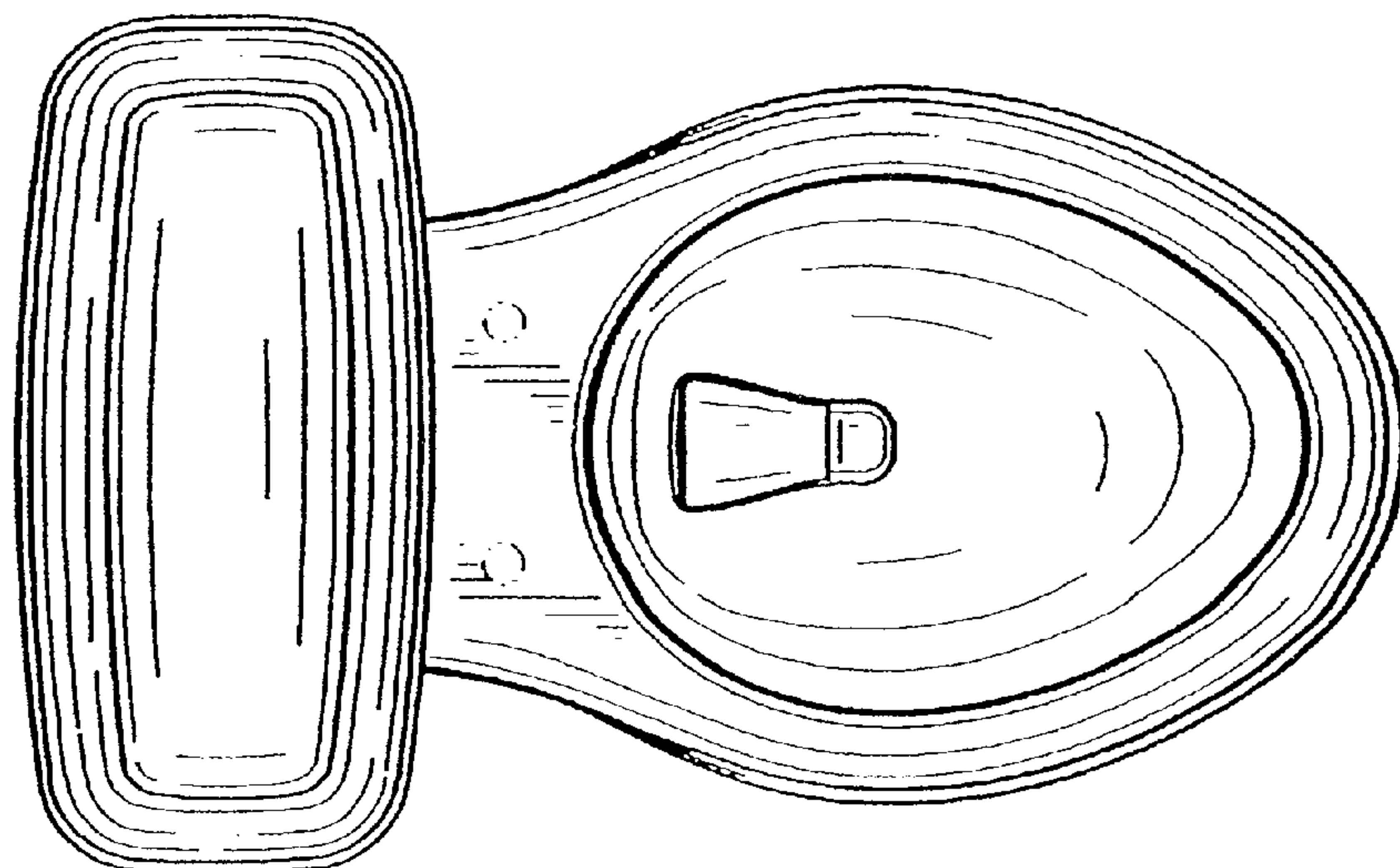


FIG. 1

FIG. 2



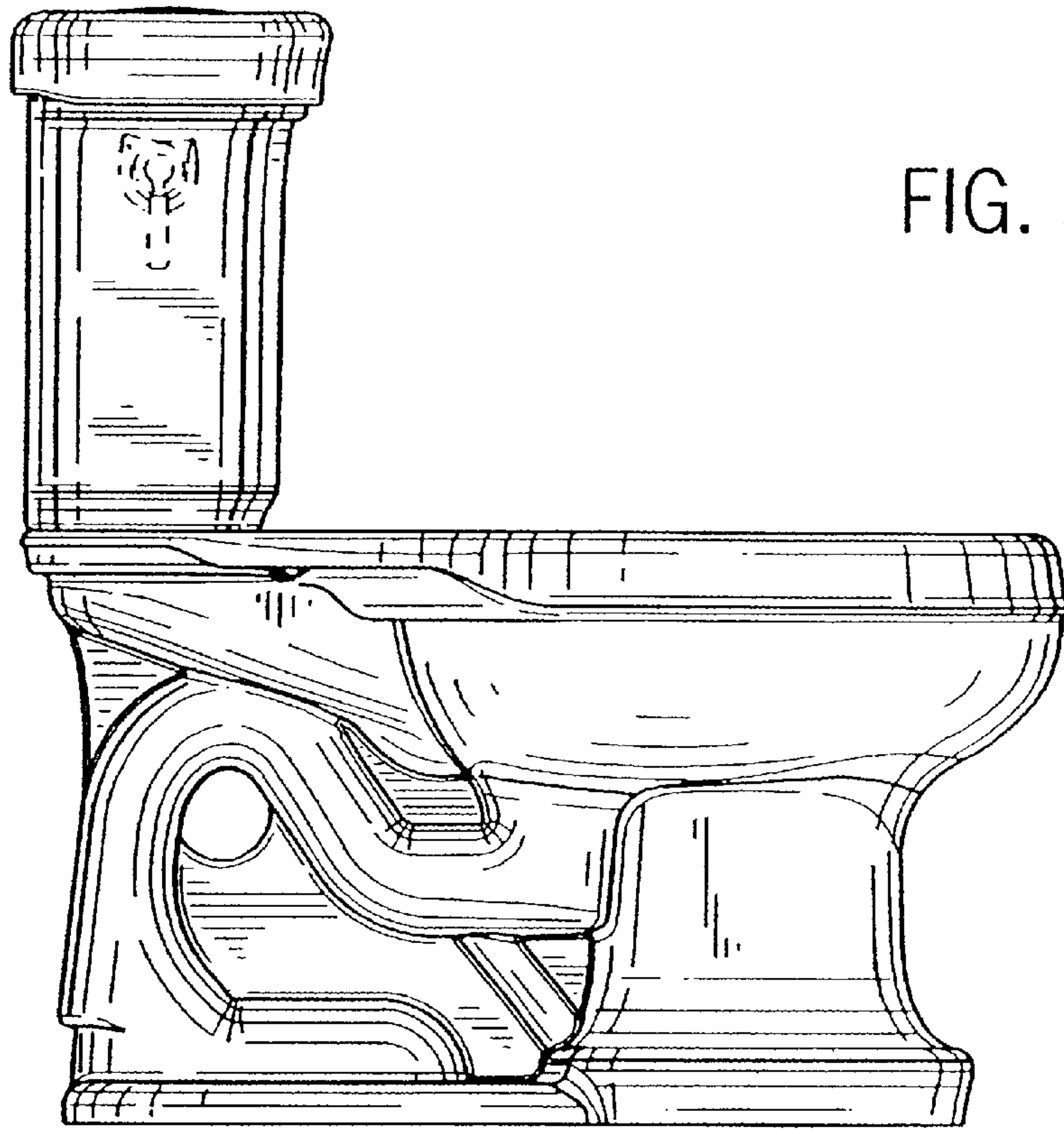


FIG. 3

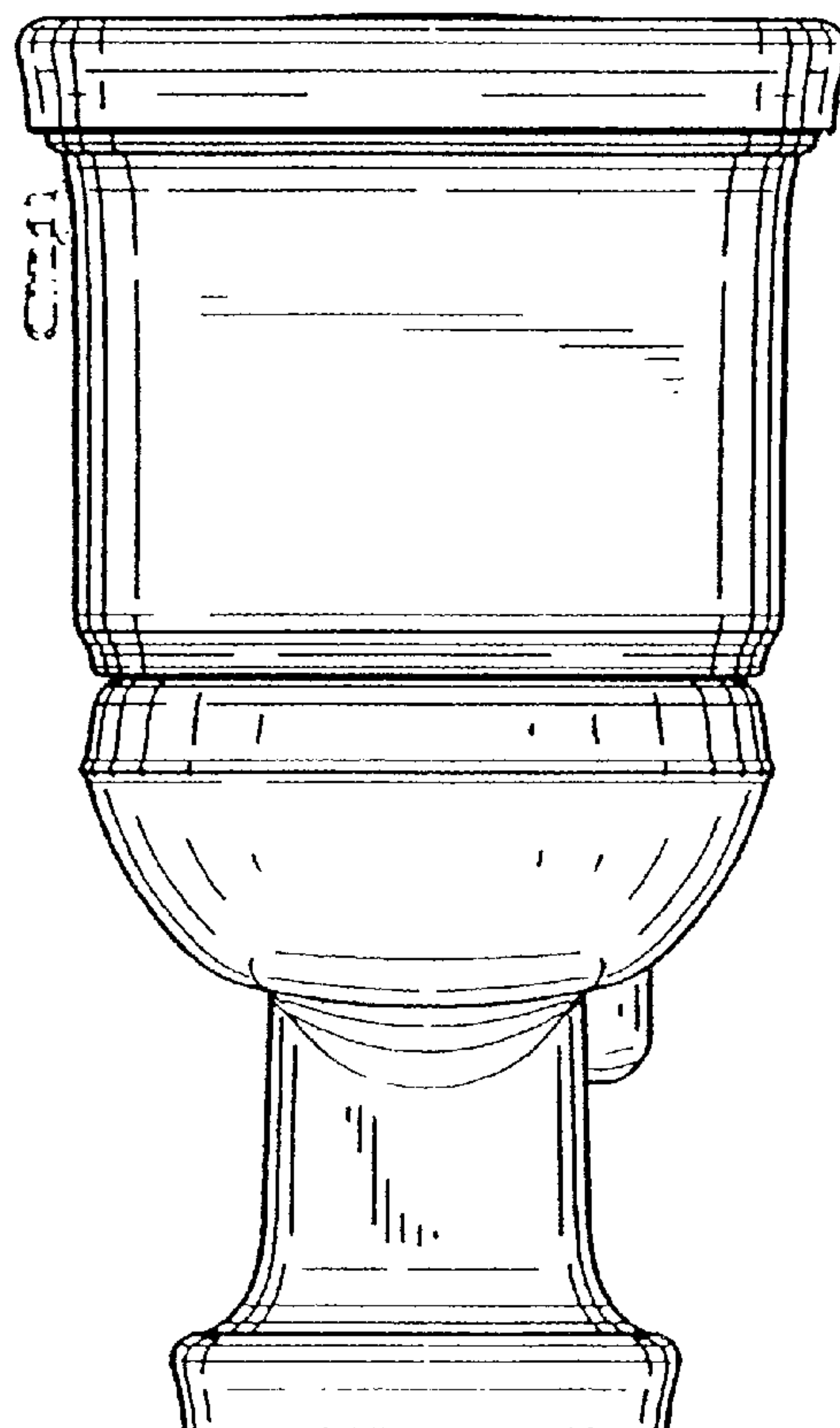


FIG. 4

FIG. 5

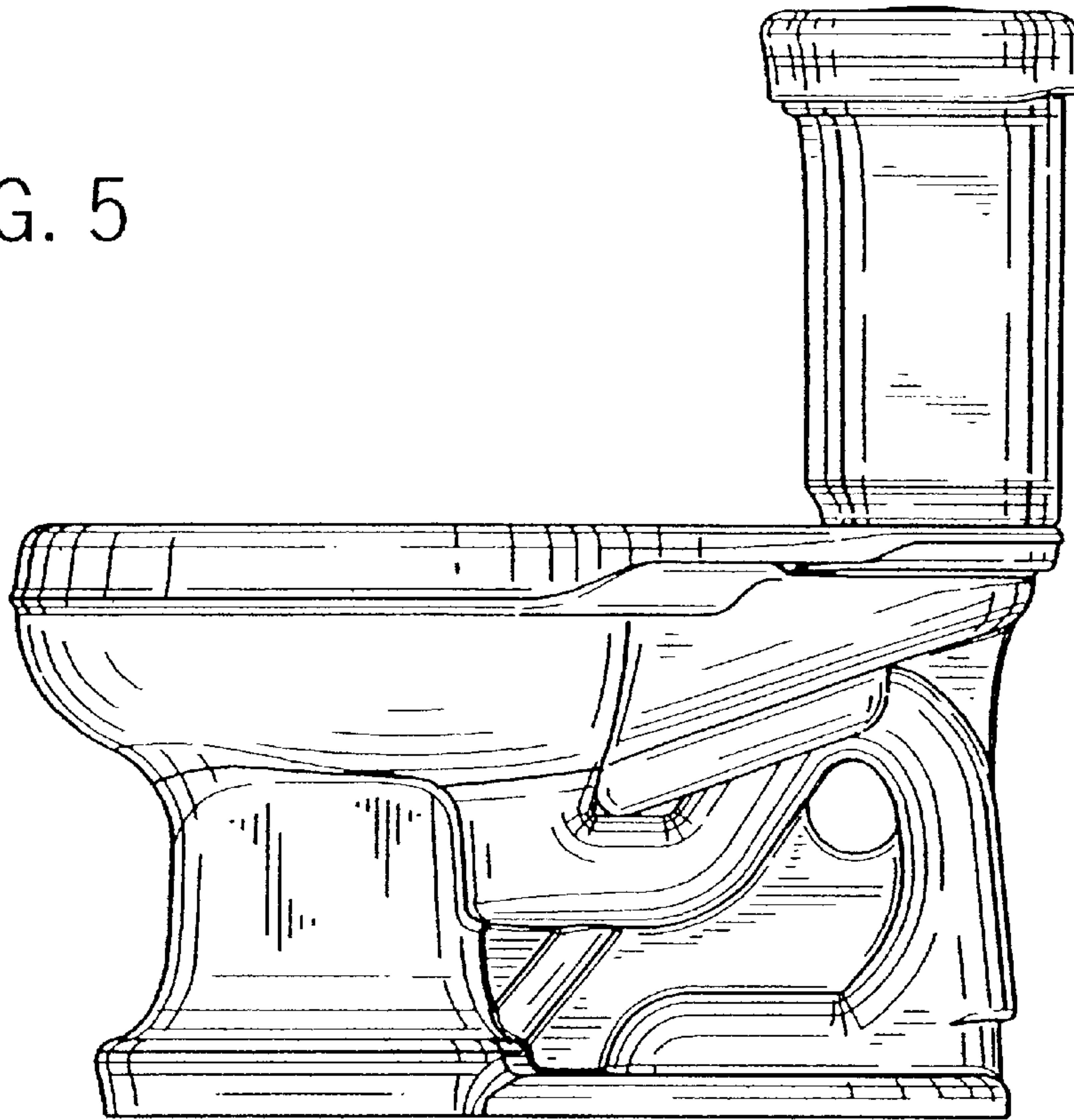
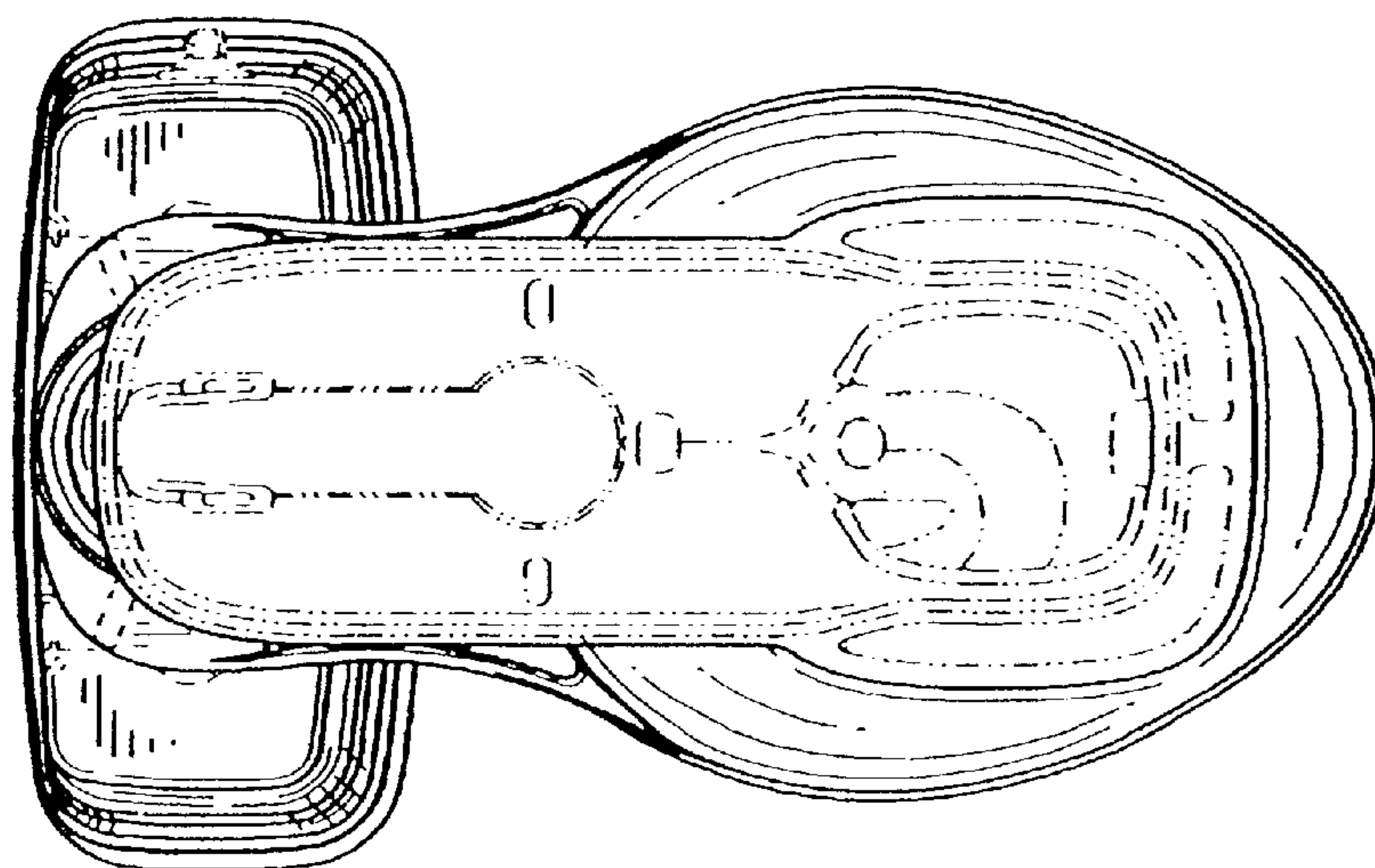


FIG. 6



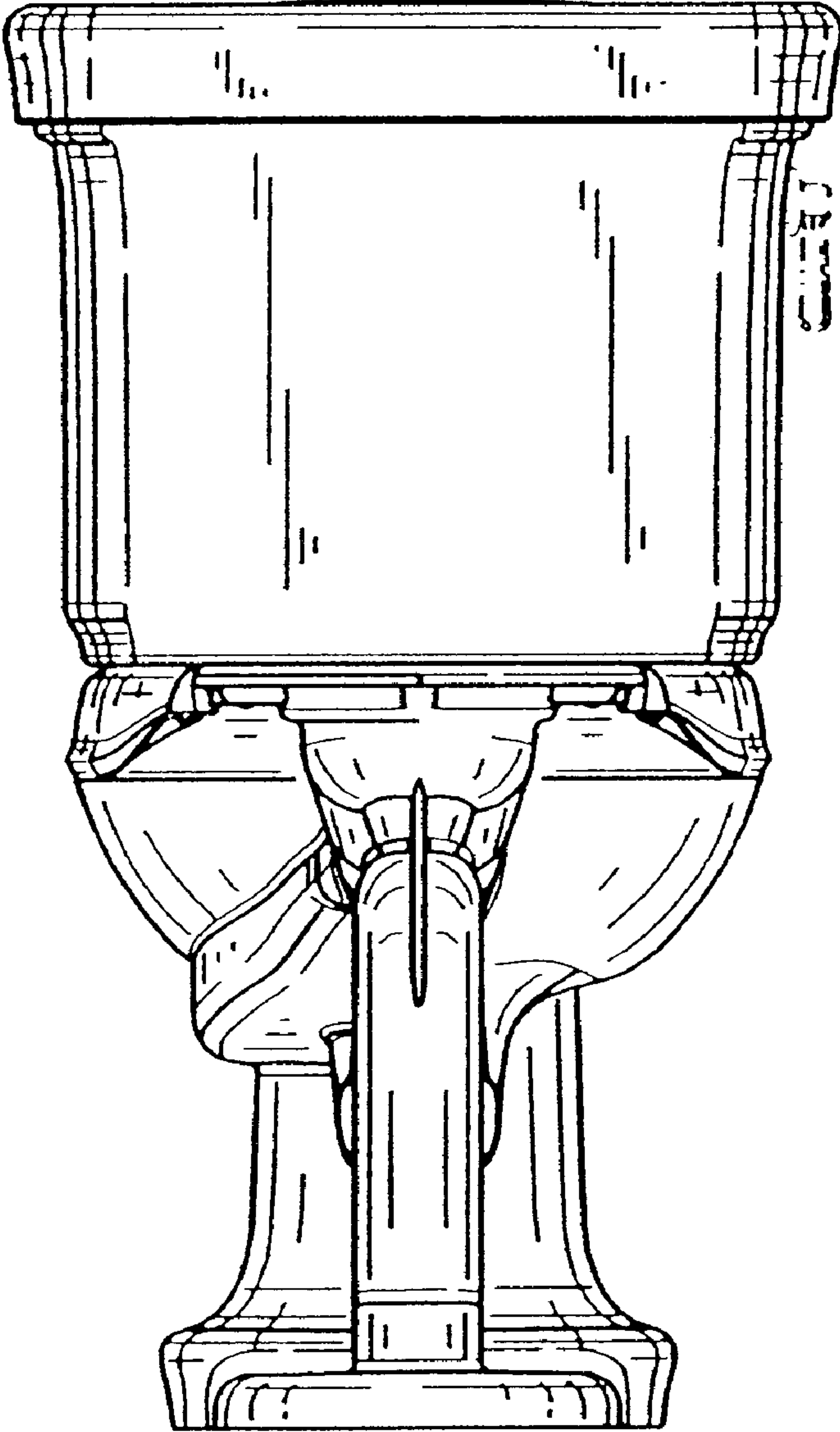


FIG. 7

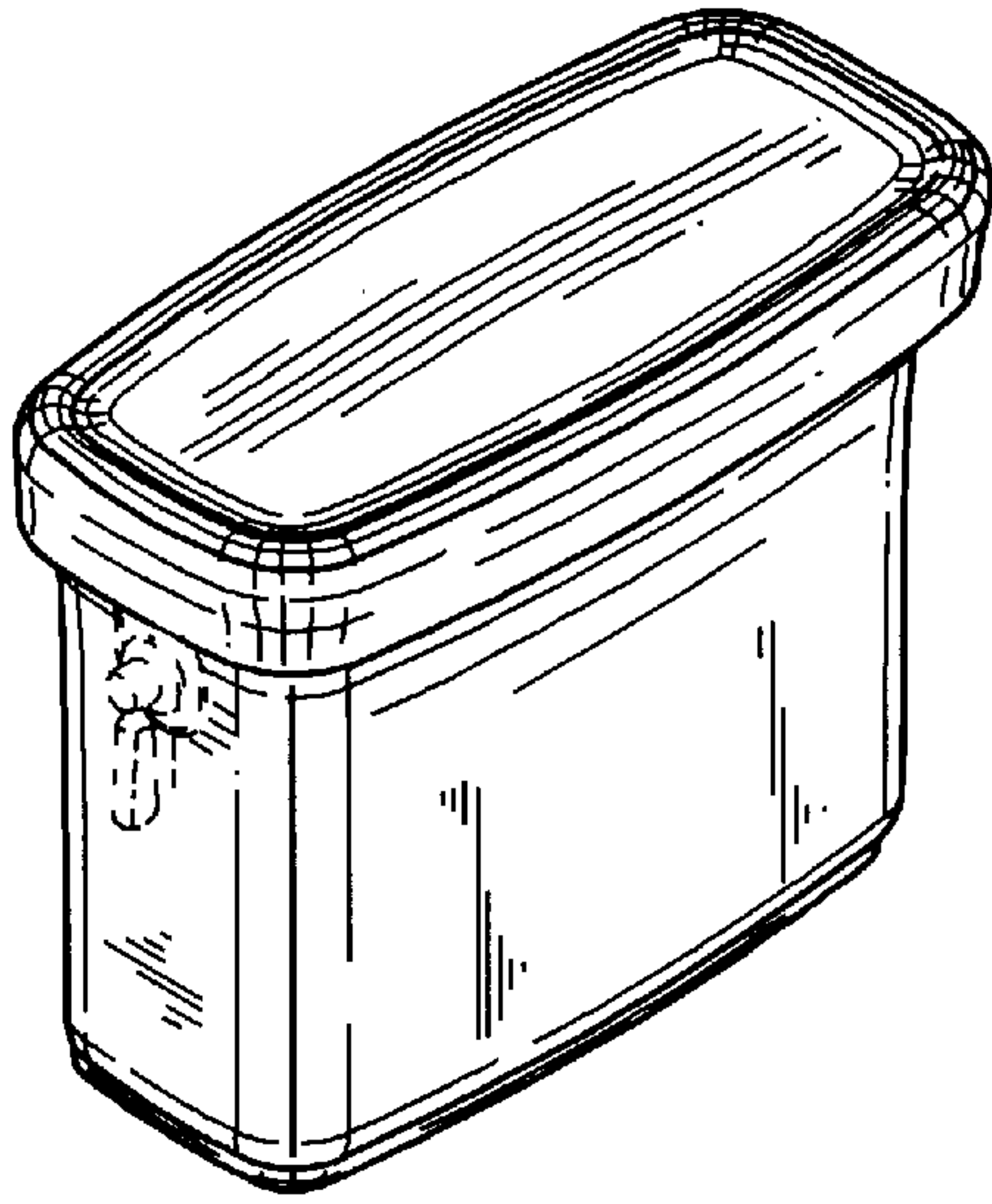


FIG. 8

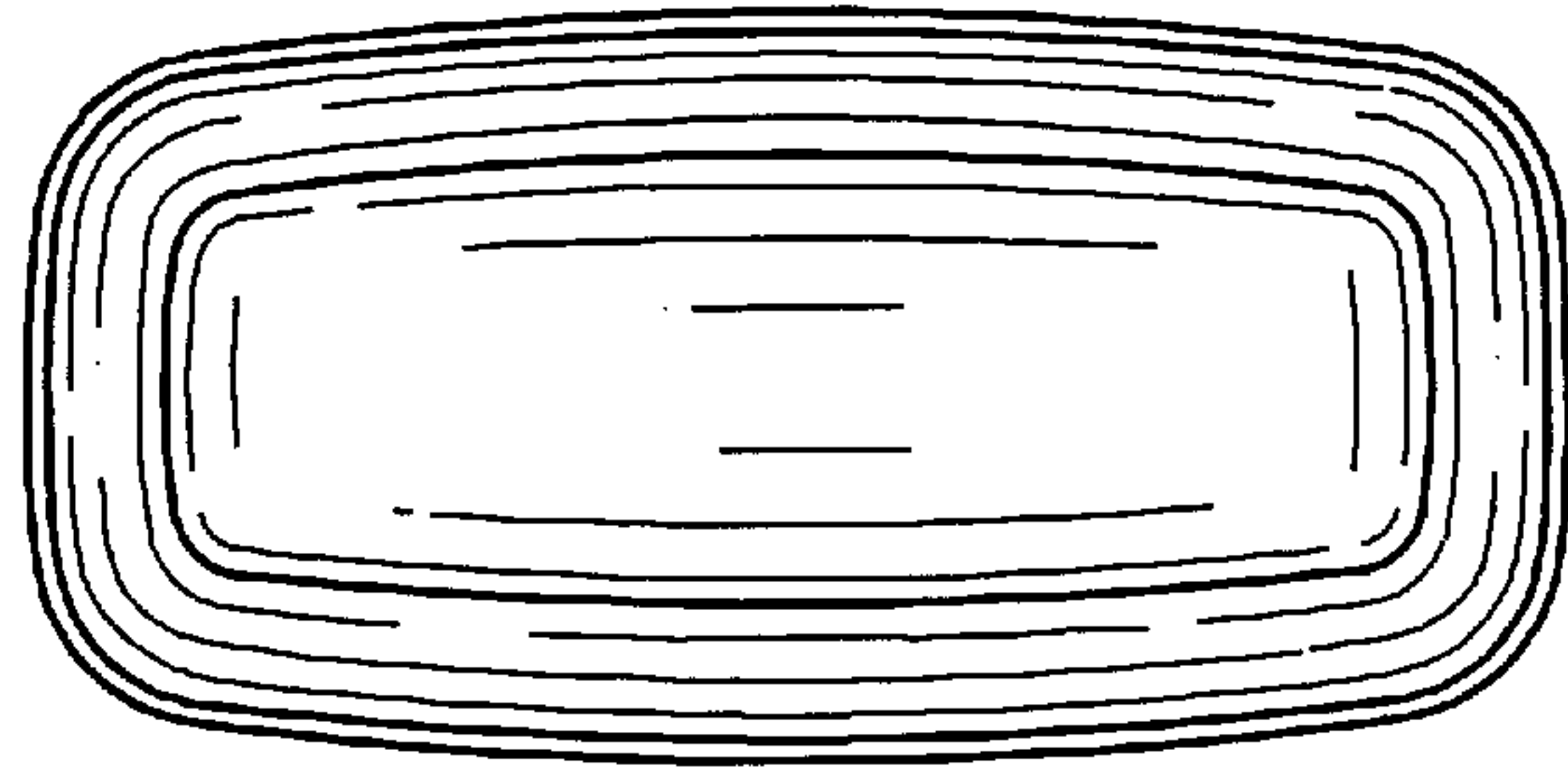


FIG. 9

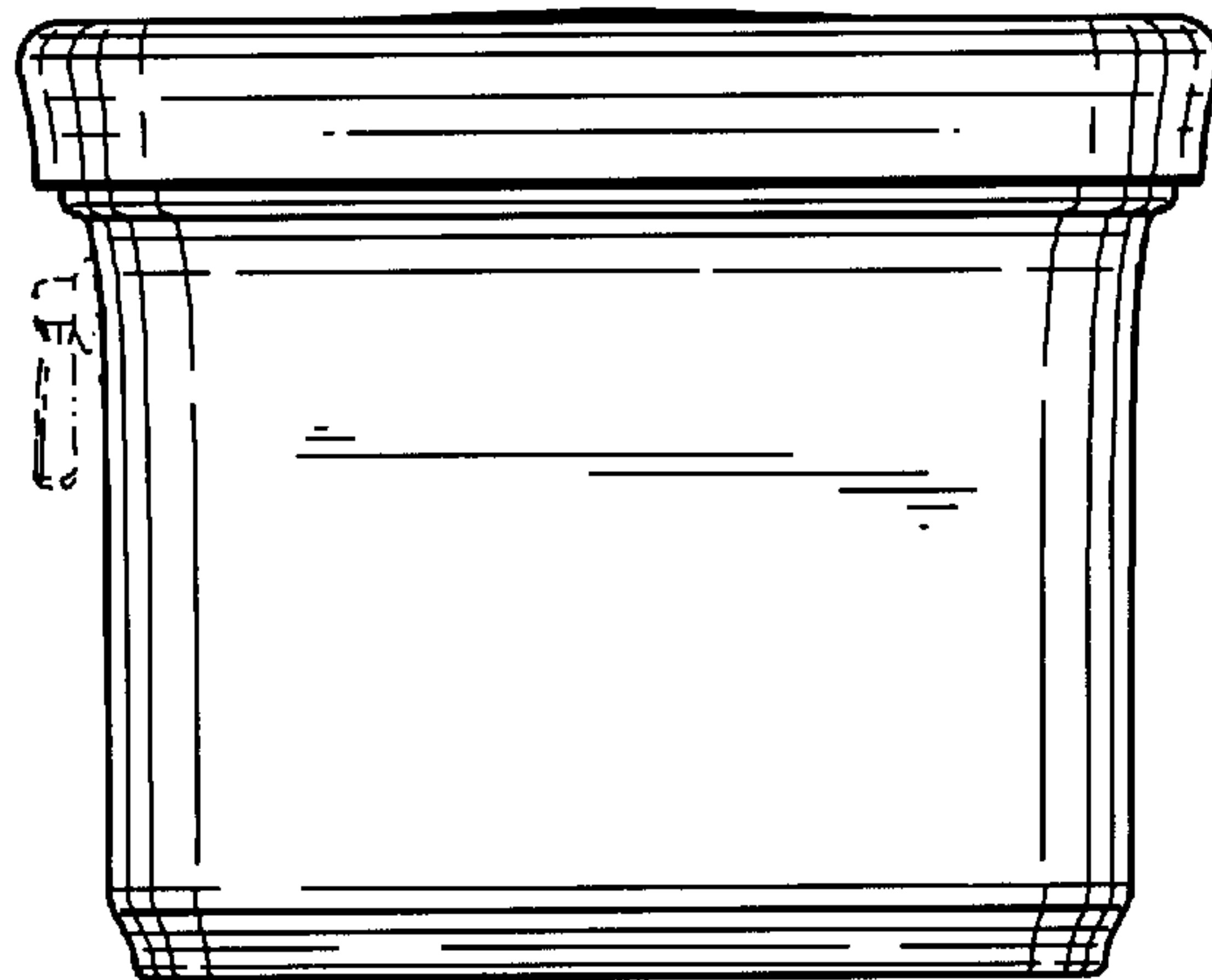


FIG. 10

UNITED STATES PATENT AND TRADEMARK OFFICE
CERTIFICATE OF CORRECTION

PATENT NO. : Des. 523,126 S
APPLICATION NO. : 29/214419
DATED : June 13, 2006
INVENTOR(S) : Michael R. Bates

Page 1 of 5

It is certified that error appears in the above-identified patent and that said Letters Patent is hereby corrected as shown below:

The title page showing the illustrative figure should be deleted and substitute with the attached title page.

Please replace the originally issued Figs. 1-10 with the substitute Figs. 1-10 which are attached.

Signed and Sealed this

Sixteenth Day of January, 2007

A handwritten signature in black ink on a light gray dotted background. The signature reads "Jon W. Dudas" in a cursive style.

JON W. DUDAS

Director of the United States Patent and Trademark Office

(12) **United States Design Patent** (10) Patent No.: **US D523,126 S**
Bates (45) Date of Patent: ** **Jun. 13, 2006**

(54) **WATER CLOSET**

(75) Inventor: **Michael R. Bates, Sheboygan, WI (US)**
 (73) Assignee: **Kohler Co., Kohler, WI (US)**
 (**) Term: **14 Years**

(21) Appl. No.: **29/214,419**
 (22) Filed: **Oct. 1, 2004**

(51) **LOC (8) Cl.** **23-02**
 (52) **U.S. Cl.** **D23/295**
 (58) **Field of Classification Search** **4/663-664,**
4/300, 329, 420, 443, 661, DIG. 15; D23/270,
D23/273-274, 295, 299, 301, 303, 309, 313
 See application file for complete search history.

(56) **References Cited**
U.S. PATENT DOCUMENTS

D86,995 S	5/1932	Brain
D92,215 S	5/1934	Teaben
D127,707 S	6/1941	Lyczak
D168,019 S	10/1952	Cramer
D326,315 S	5/1992	Waldren
D339,548 S	6/1995	Czen
D387,858 S	12/1997	McKeone
D390,930 S	2/1998	Slothower
D441,437 S	5/2001	McKeone
D451,175 S	11/2001	Smith
D455,821 S	4/2002	McKeone
D472,619 S	4/2003	Kawamura et al.
D480,456 S	10/2003	Svensen et al.
D484,579 S	12/2003	Bennie

OTHER PUBLICATIONS

Kohler Wellworth K-3512-PBA and K-3510-PBA toilets,
 K73 Supplemental Catalog, 1973.*
 Kohler catalog p. 15.17, Two-Piece Toilets, Pincer and
 Pincer Comfort Height.

Porcher website page, Lutezia Water Closet by Forcher,
 dated Sep. 20, 2004.

* cited by examiner

Primary Examiner---Robert A. Delehanty
 (7A) *Attorney, Agent, or Firm*---Quarles & Brady LLP

(57) **CLAIM**

The ornamental design for a water closet, as shown and
 described.

DESCRIPTION

In a preferred embodiment, the nature of this product is as
 a plumbing fixture in the form of a water closet, a tank for
 a water closet, and a base for a water closet.

FIG. 1 is a top, front perspective view of a base for the water
 closet showing my new design;

FIG. 2 is a top plan view thereof;

FIG. 3 is a left side elevation view thereof;

FIG. 4 is a right side elevation view thereof;

FIG. 5 is a front elevation view thereof;

FIG. 6 is a rear elevation view thereof;

FIG. 7 is a bottom plan view thereof;

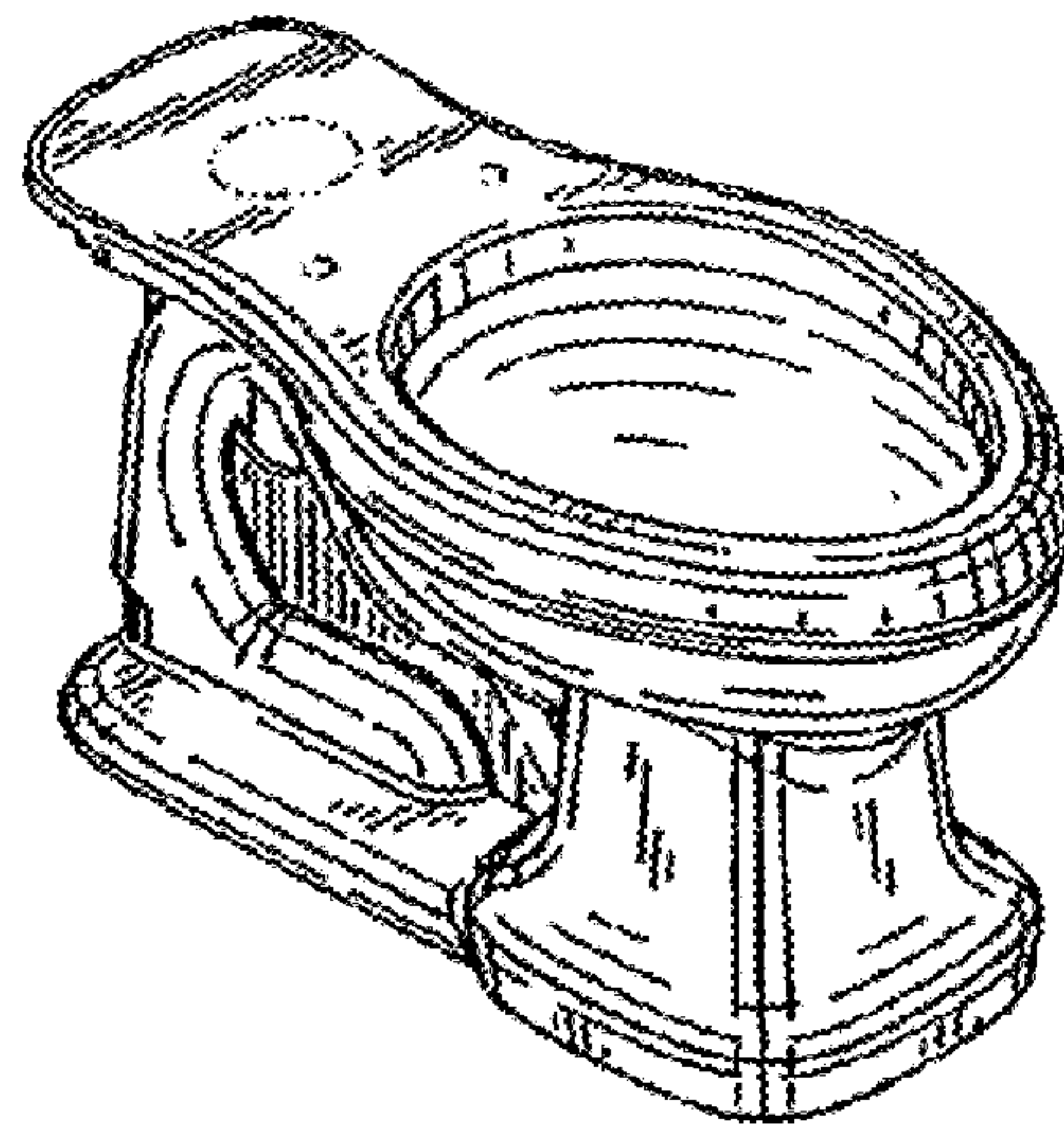
FIG. 8 is a top, left, front perspective view of another
 embodiment of a base for the water closet of FIG. 1, the front
 and rear elevation views thereof being similar to FIGS. 5 and
 6;

FIG. 9 is a top plan view thereof; and,

FIG. 10 is a left side elevation view thereof.

The broken line representations of holes in FIGS. 1-2 and
 8-9 and underside features in FIG. 7 are for the purpose of
 illustration only, and form no part of the claimed design.

1 Claim, 5 Drawing Sheets



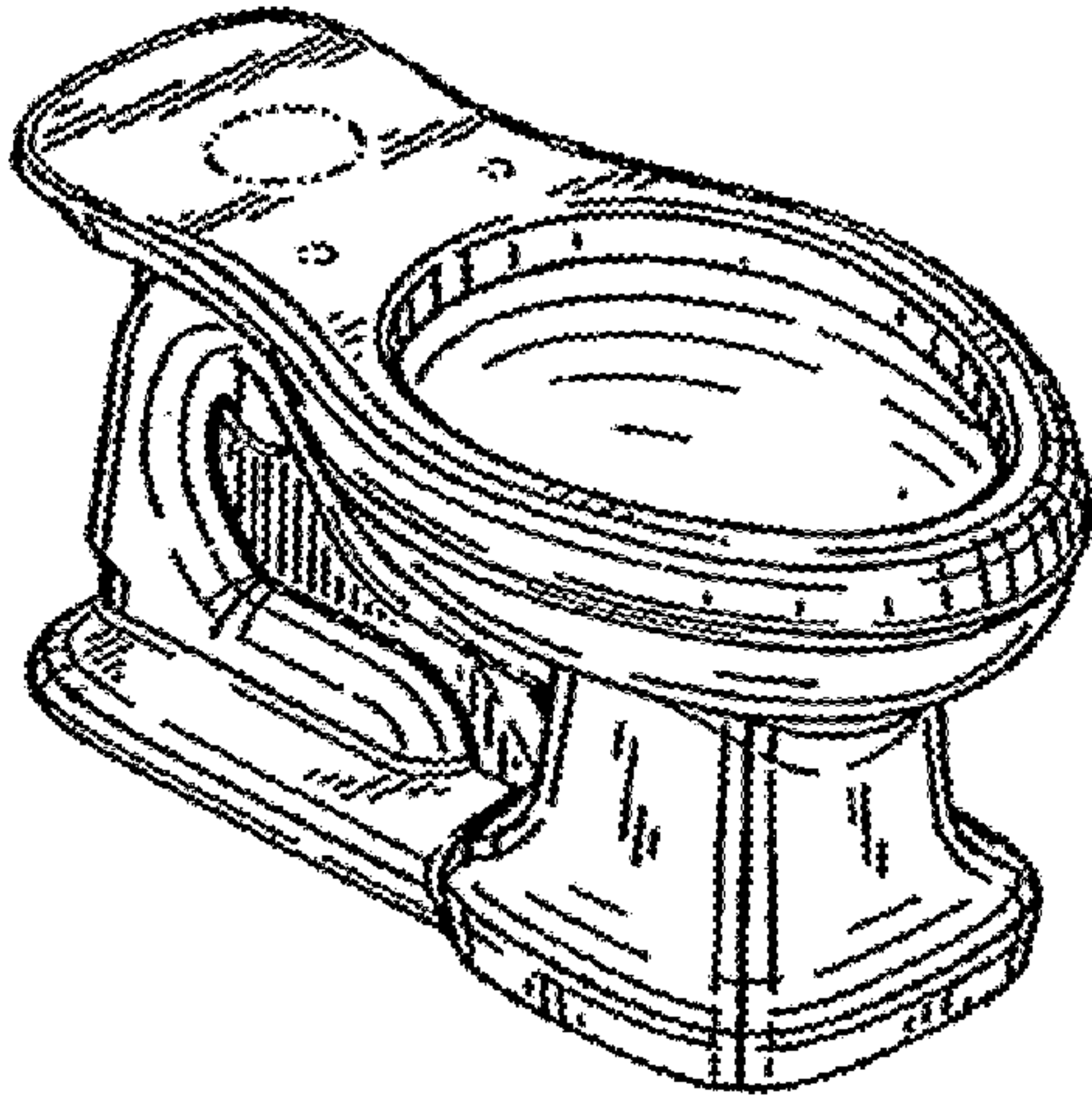


FIG. 1

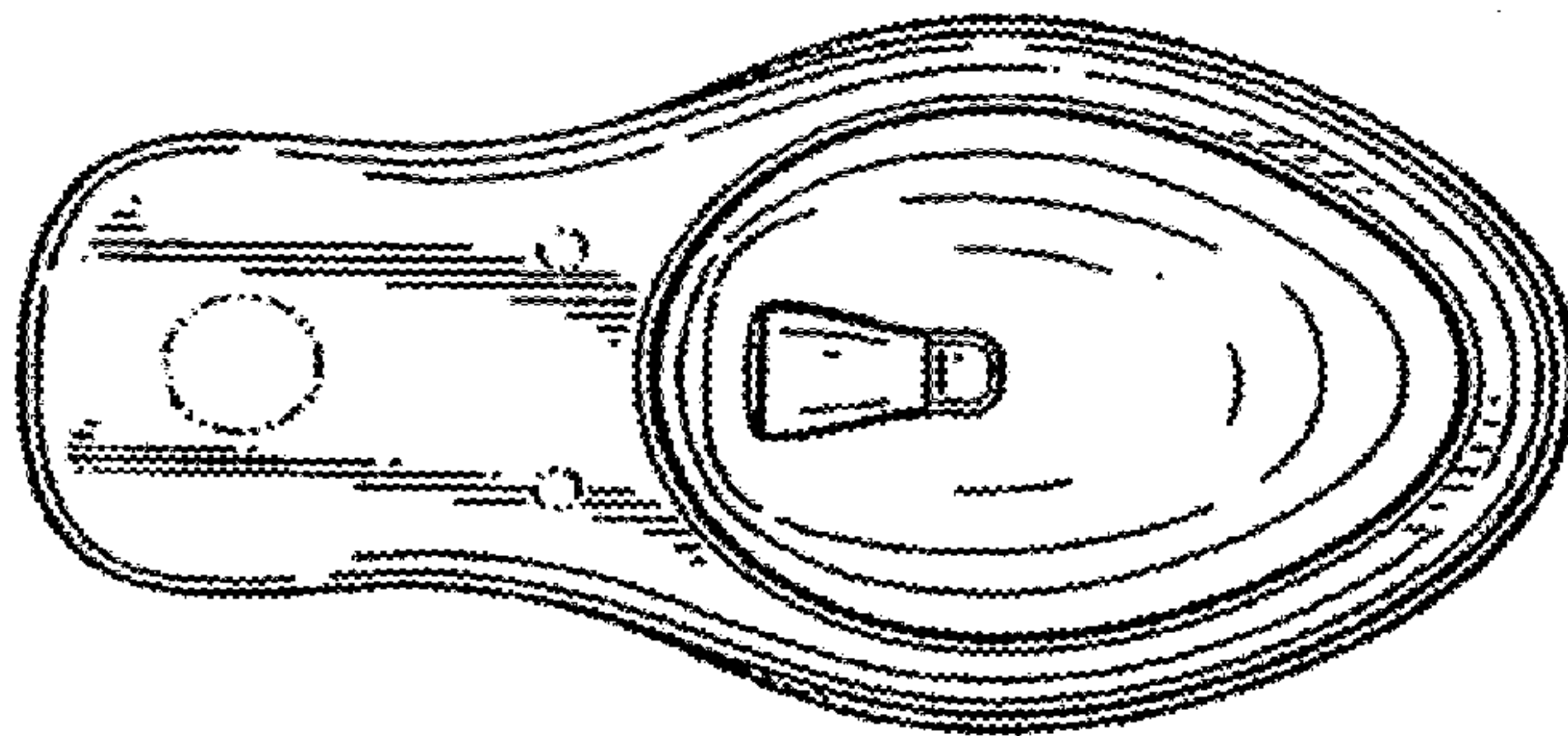


FIG. 2

FIG. 3

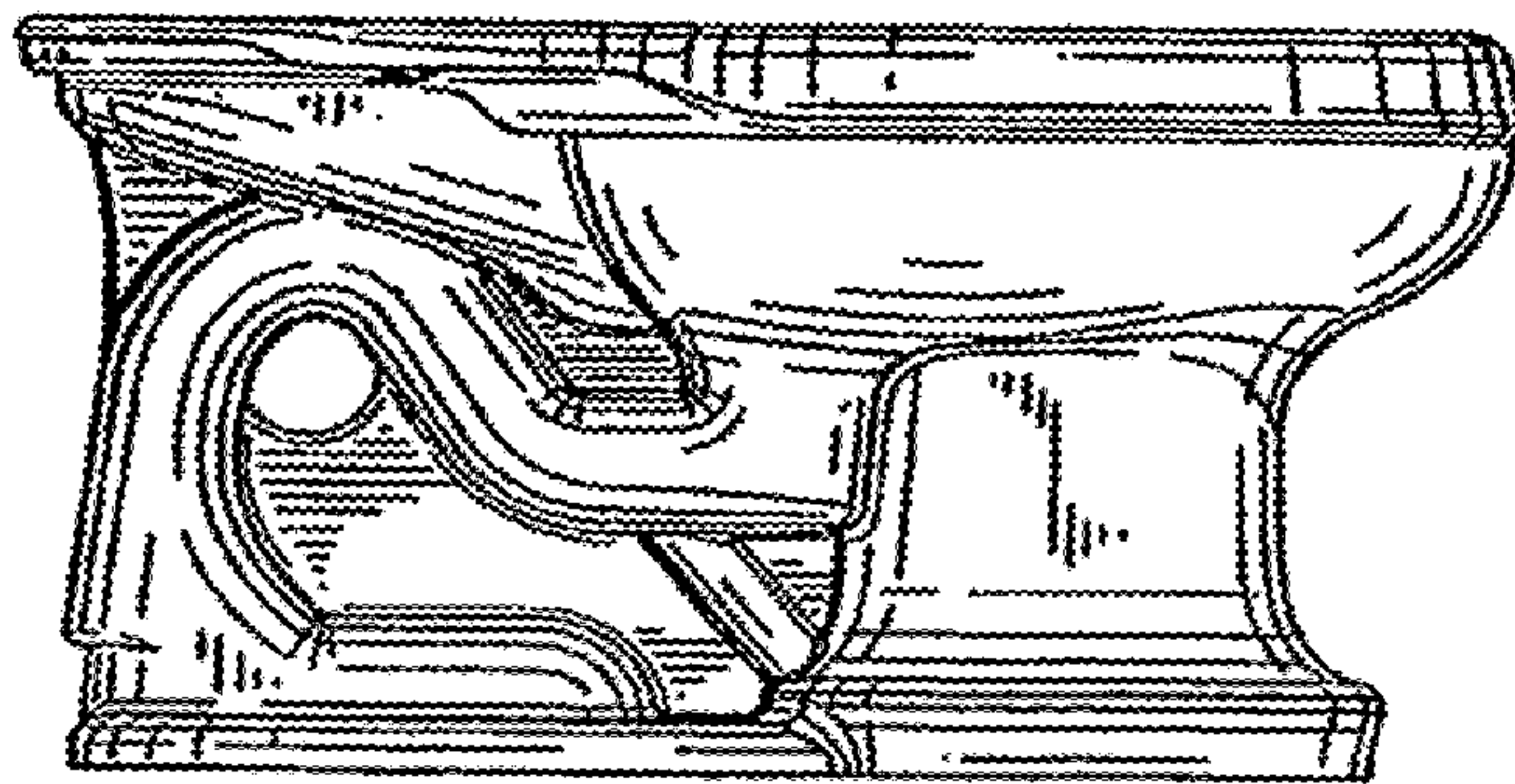


FIG. 4

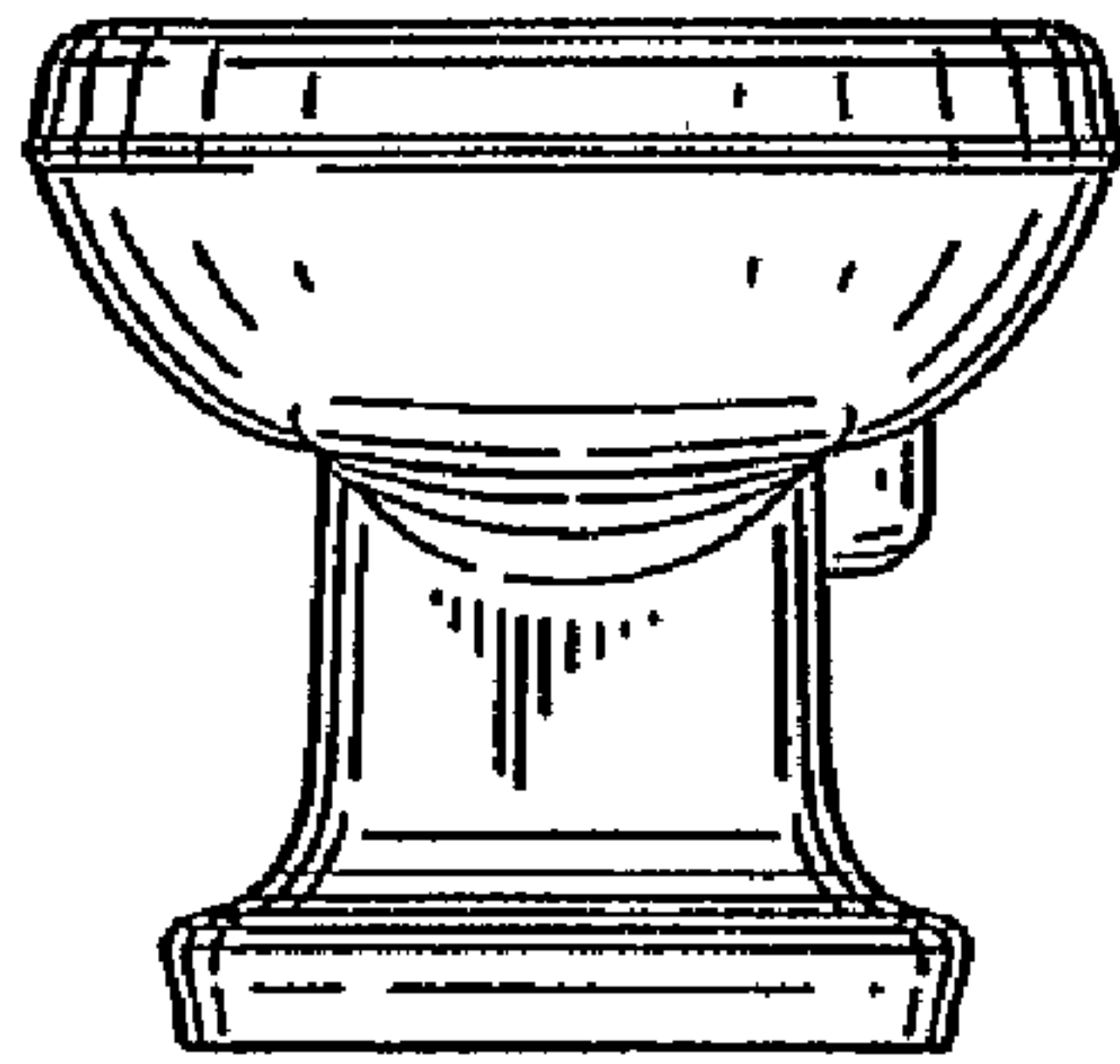
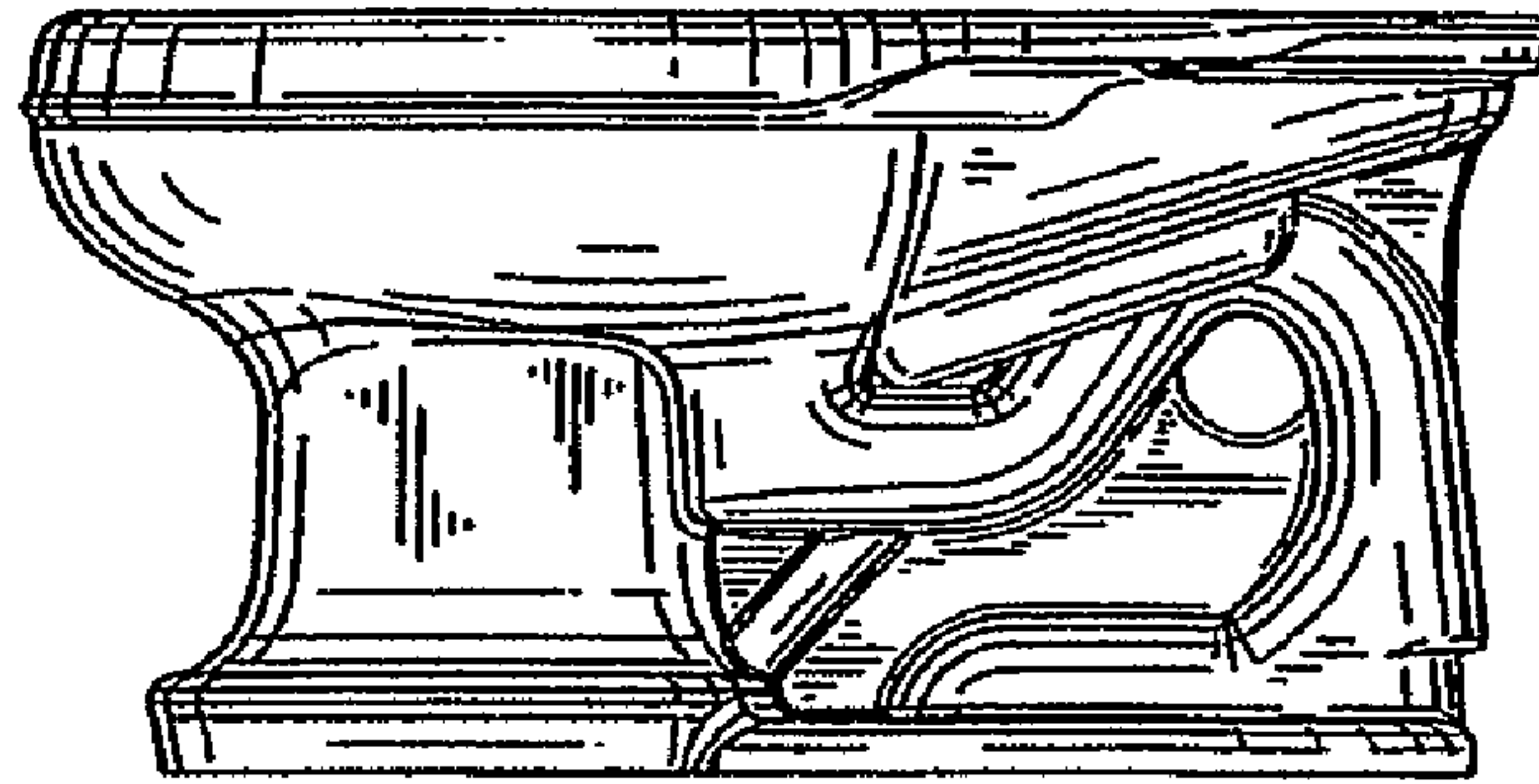


FIG. 5

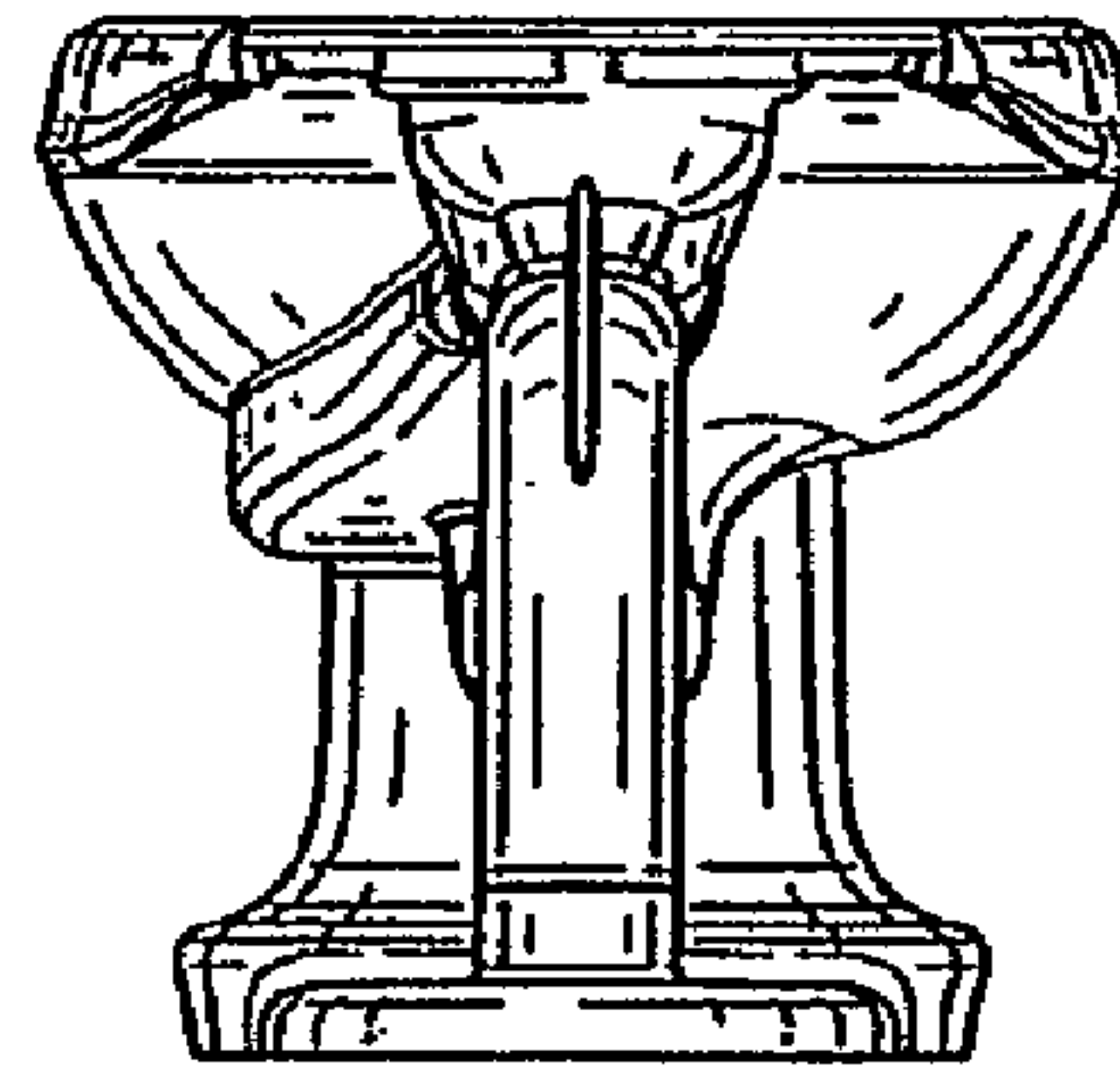


FIG. 6

FIG. 7

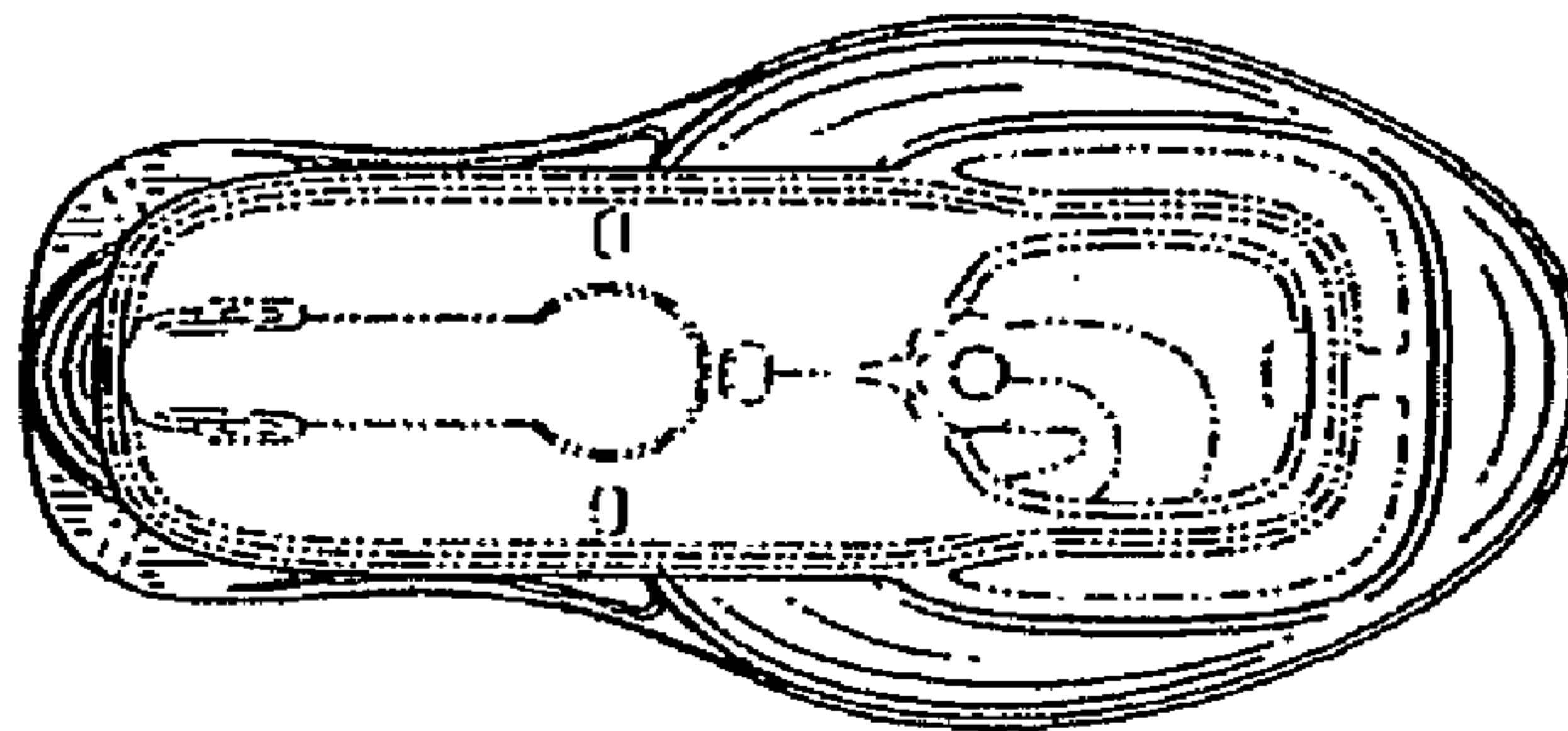


FIG. 8.

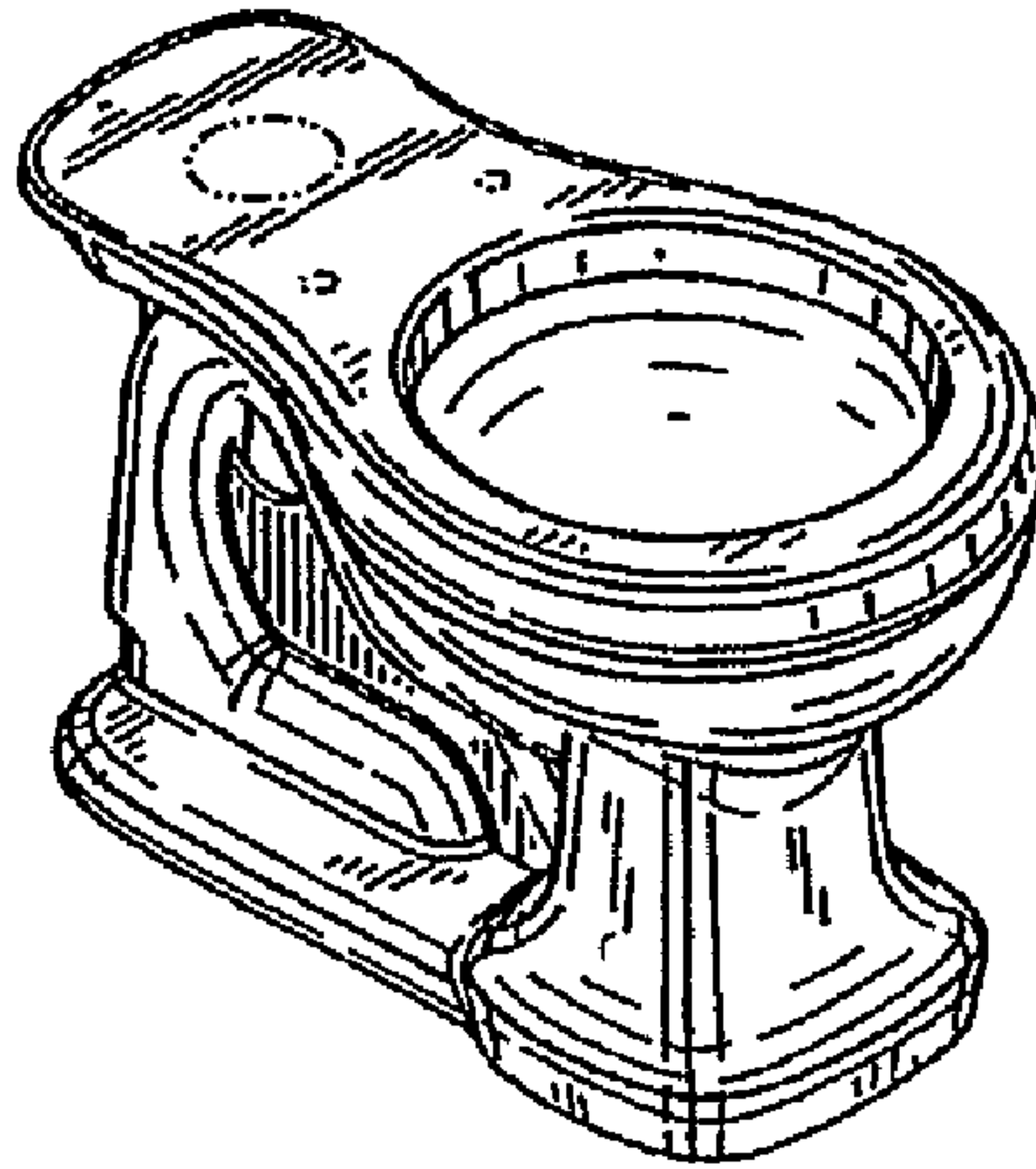


FIG. 9

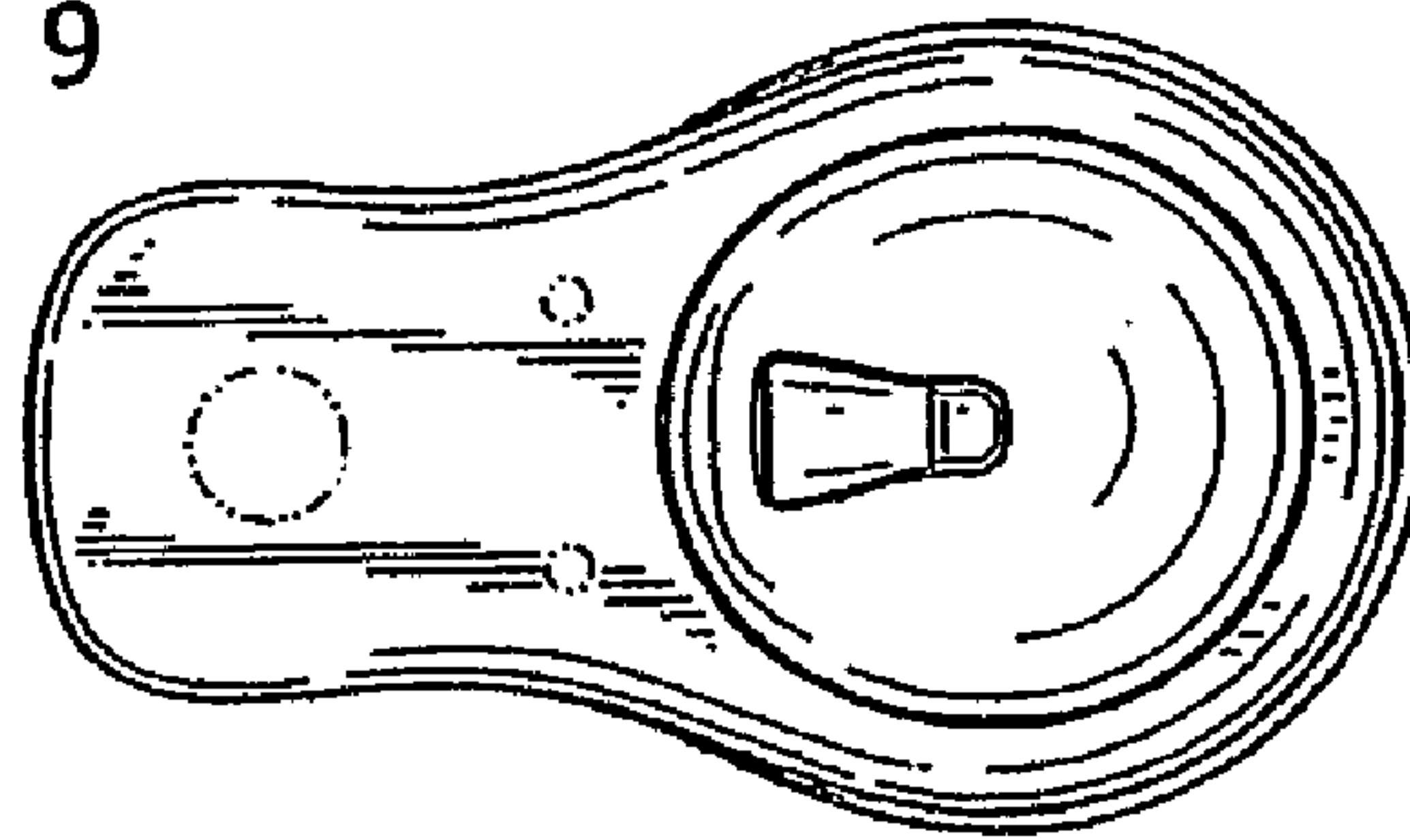


FIG. 10

