



US00D523125S

(12) **United States Design Patent**
Barry

(10) **Patent No.:** **US D523,125 S**
(45) **Date of Patent:** **** Jun. 13, 2006**

(54) **LAVATORY**

(75) Inventor: **Barbara Barry**, Los Angeles, CA (US)

(73) Assignee: **Kallista, Inc.**, Kohler, WI (US)

(**) Term: **14 Years**

(21) Appl. No.: **29/218,928**

(22) Filed: **Dec. 9, 2004**

(51) **LOC (8) Cl.** **23-02**

(52) **U.S. Cl.** **D23/293.1**

(58) **Field of Classification Search** D23/271,
D23/284-285, 289, 292, 303, 308; 4/619,
4/638, 643, 646, 661

See application file for complete search history.

(56) **References Cited**

U.S. PATENT DOCUMENTS

D506,532 S * 6/2005 Mayer D23/292

OTHER PUBLICATIONS

Cesame catalog page, Serie Belle Epogue.
American Standard catalog page, The Lavatory: The
Essence of Style, Platner Pedestal Lavatory, Galleria Ped-
estal Lavatory, Roma Pedestal Lavatory, Platner Countertop
Lavatory, Galleria Countertop Lavatory and Roma Counter-
top Lavatory.
Kohler catalog p. 14.11, Pedestal Lavatory, Trocadero and
Vintage.

Kohler catalog page, Revival Console Table, Revival Ped-
estal Lavatory with Transitional Pedestal, Revival Pedestal
Lavatory with Traditional Pedestal; Revival Lite Toilet,
Revival Self-rimming Lavatory.

* cited by examiner

Primary Examiner—Robert A. Delehanty

(74) *Attorney, Agent, or Firm*—Quarles & Brady LLP

(57) **CLAIM**

The ornamental design for a lavatory, as shown and
described.

DESCRIPTION

In a preferred embodiment, this nature of the product is a
plumbing fixture, such as a pedestal sink, for washing
human body parts.

FIG. 1 is a top, front perspective view of a lavatory showing
my new design;

FIG. 2 is a top plan view thereof;

FIG. 3 is a front elevation view thereof;

FIG. 4 is a left side elevation view, the right side being a
mirror image thereof;

FIG. 5 is a rear elevation view thereof; and,

FIG. 6 is a bottom plan view thereof.

The broken line representations of holes and sink bowl in
FIGS. 1-2 and underside and rear features in FIGS. 5 and 6
are for the purpose of illustration only, and form no part of
the claimed design.

1 Claim, 2 Drawing Sheets

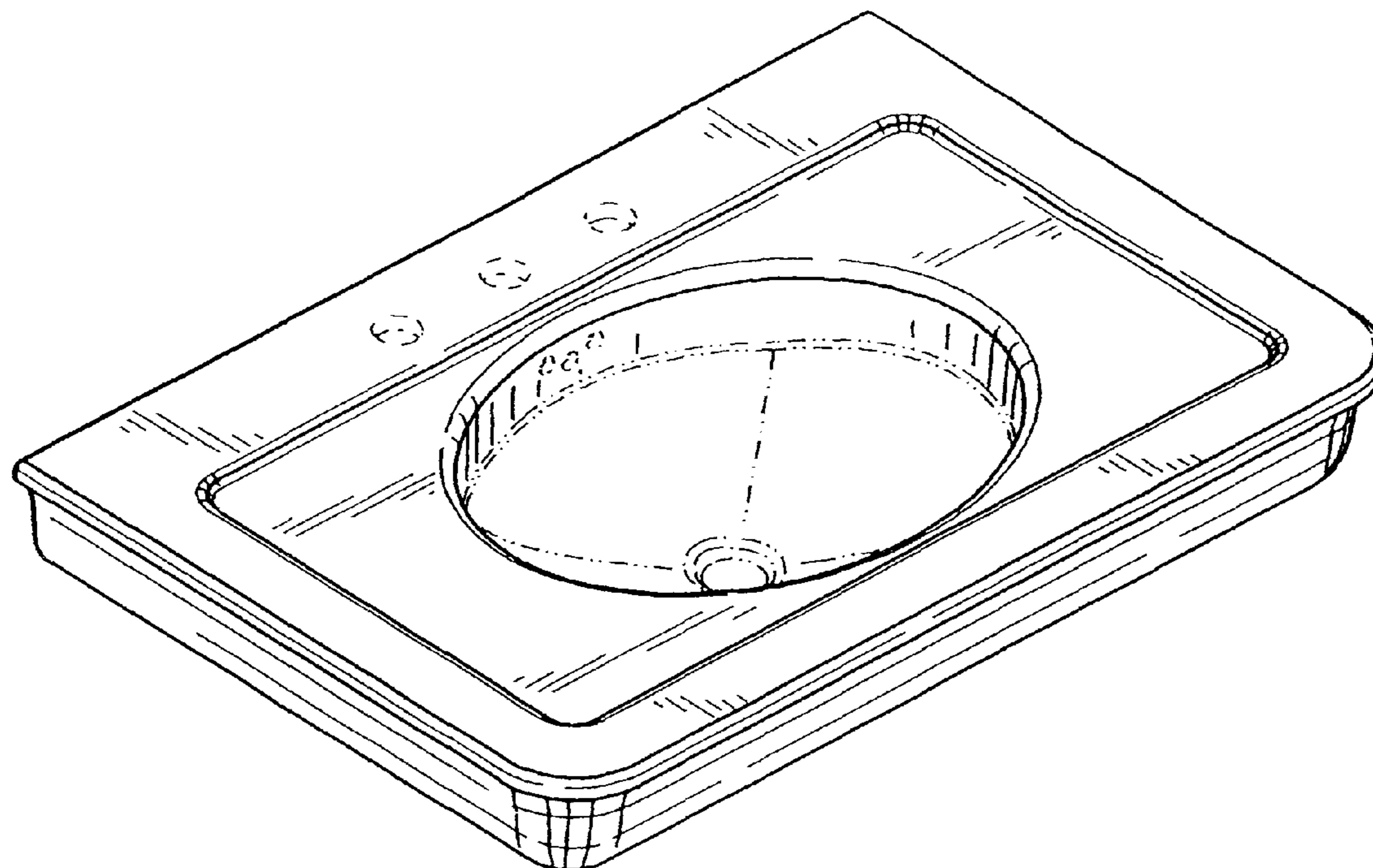


FIG. 1

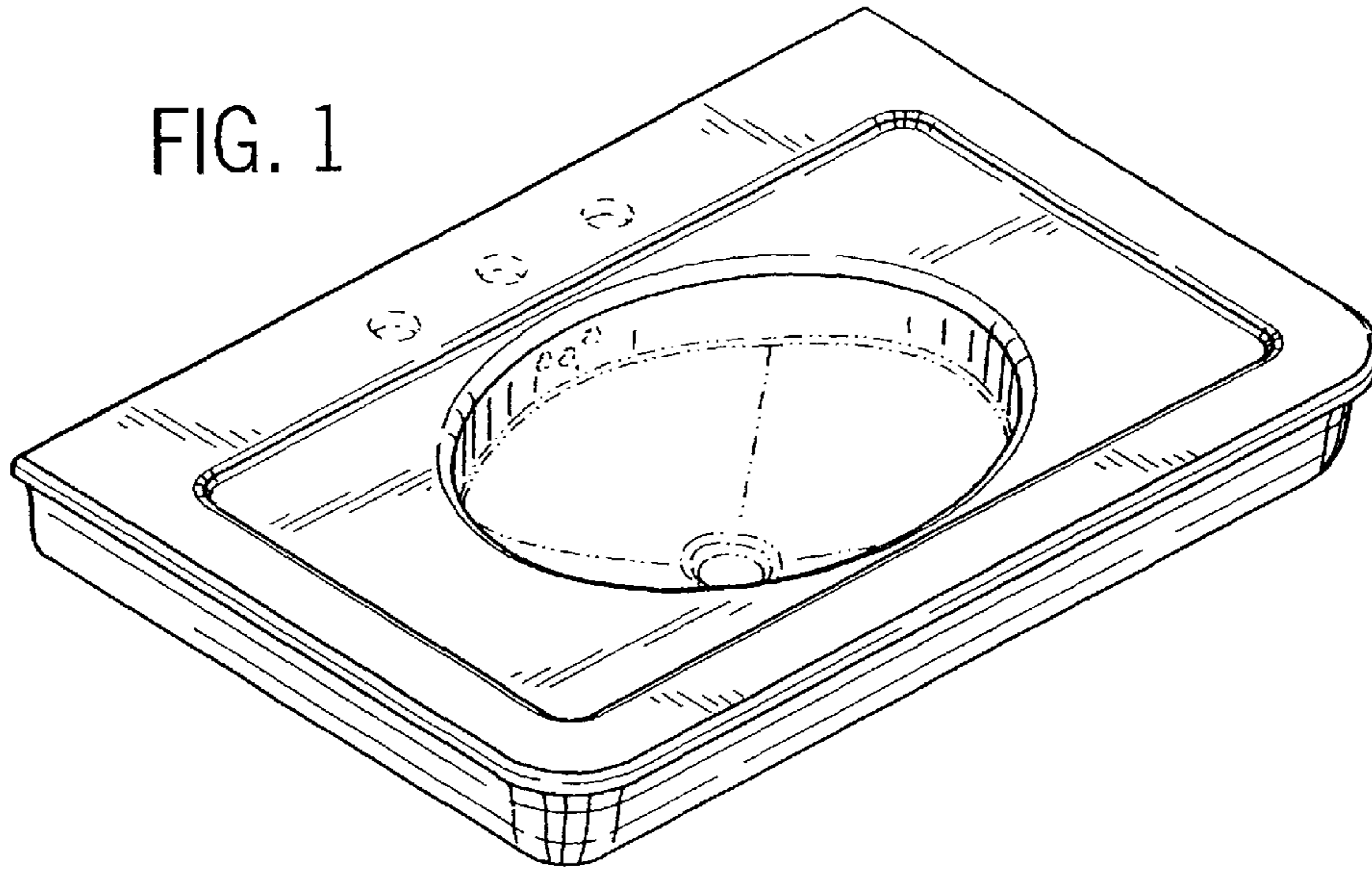


FIG. 2

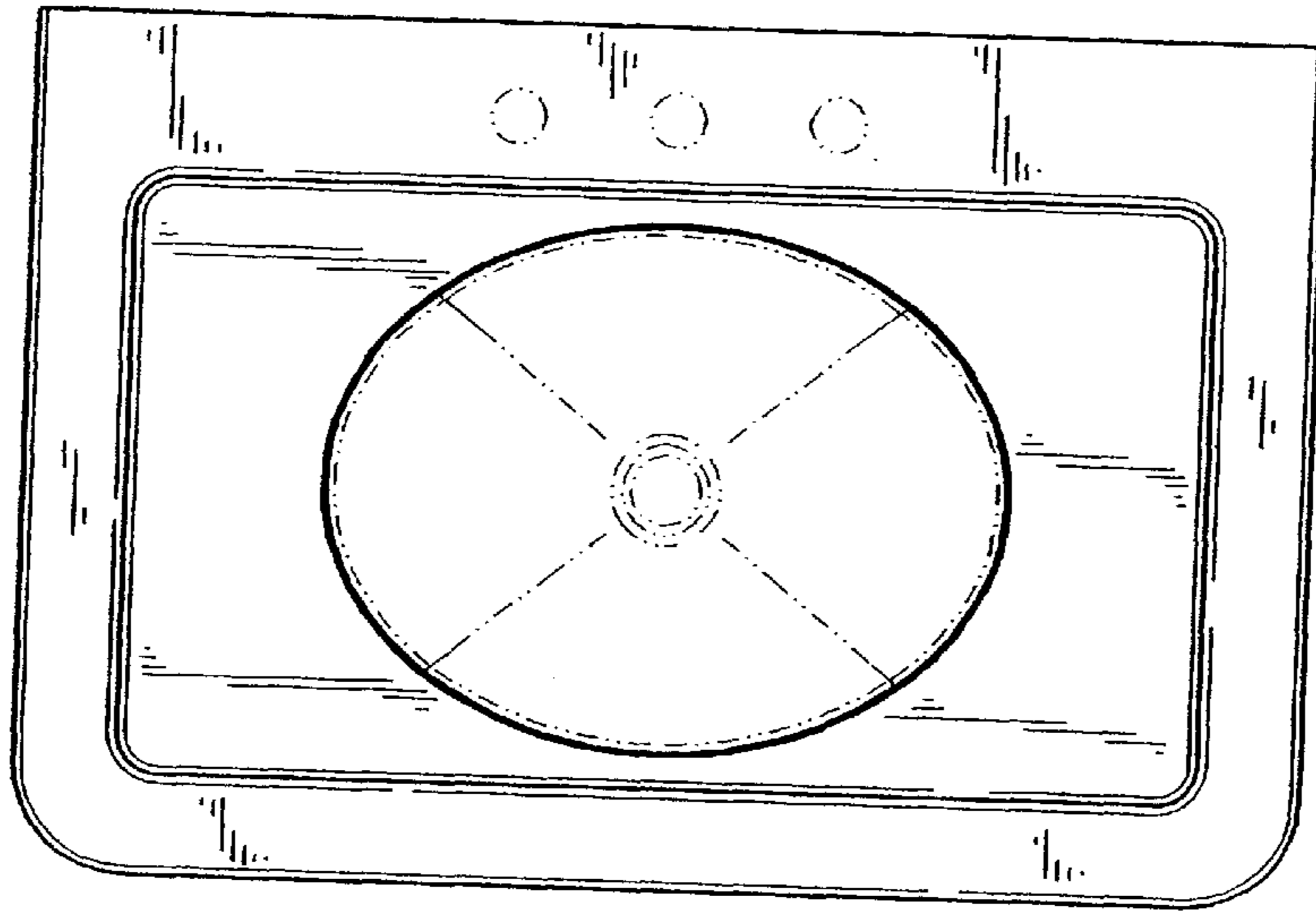


FIG. 3

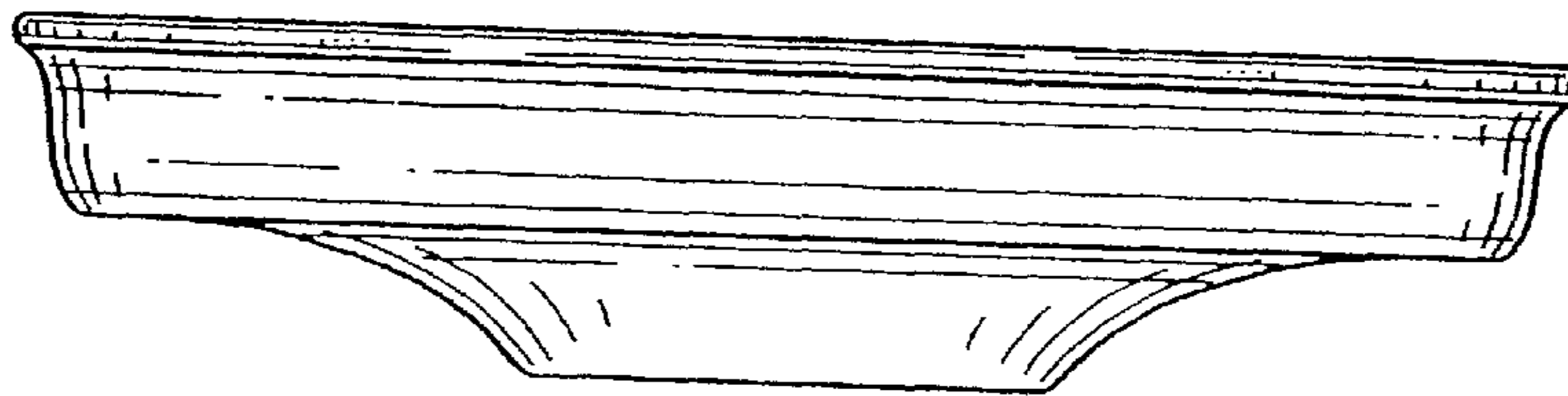


FIG. 4

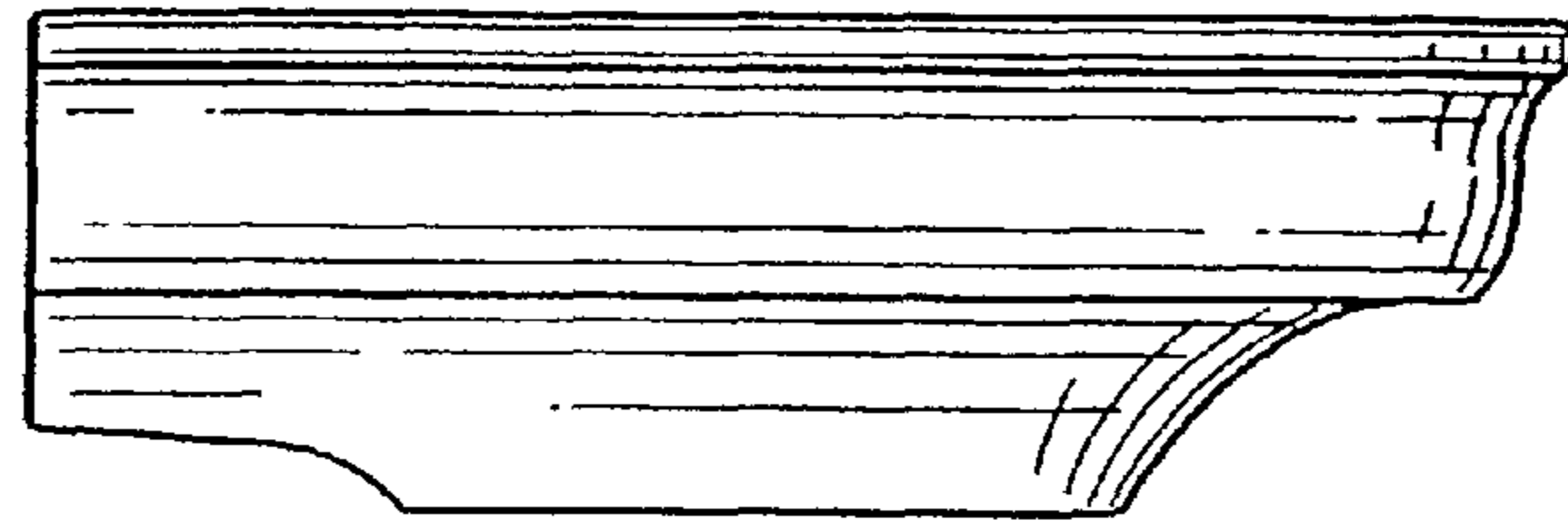


FIG. 5

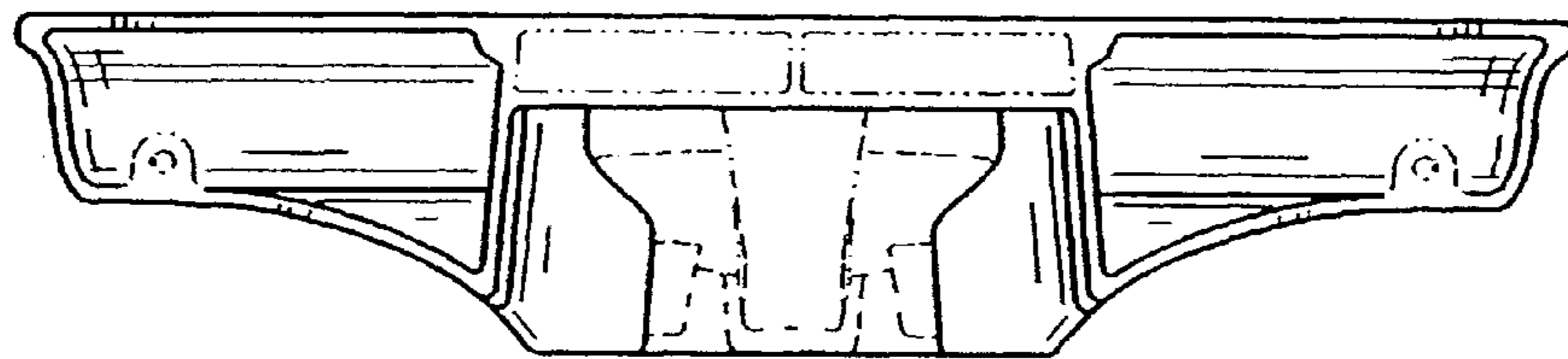


FIG. 6

