



US00D523115S

(12) **United States Design Patent**
Chung

(10) **Patent No.:** **US D523,115 S**
(45) **Date of Patent:** **** Jun. 13, 2006**

(54) **FAUCET BODY**

(76) Inventor: **Chiu-Chih Chung**, No. 31, Lane 275,
Sec. 4, Lu Ho Rd., Lu Kan Chen,
Chunghua Hsien (TW)

(**) Term: **14 Years**

(21) Appl. No.: **29/230,731**

(22) Filed: **May 26, 2005**

(51) **LOC (8) Cl.** **23-01**

(52) **U.S. Cl.** **D23/249; D23/241; D23/242**

(58) **Field of Classification Search** **D23/238-257;**
4/675; 137/801, 615

See application file for complete search history.

(56) **References Cited**

U.S. PATENT DOCUMENTS

D144,249 S	*	3/1946	Hinderer	D23/243
D146,882 S	*	6/1947	Smolensky	D23/240
D163,545 S	*	6/1951	Smolensky	D23/240

* cited by examiner

Primary Examiner—Louis S. Zarfes

Assistant Examiner—Gregory Andoll

(74) *Attorney, Agent, or Firm*—Troxell Law Office, PLLC

(57) **CLAIM**

The ornamental design for a faucet body, as shown and described.

DESCRIPTION

FIG. 1 is a front elevation view of a faucet body showing my new design,

FIG. 2 is a left side view thereof.

FIG. 3 is a right side view thereof.

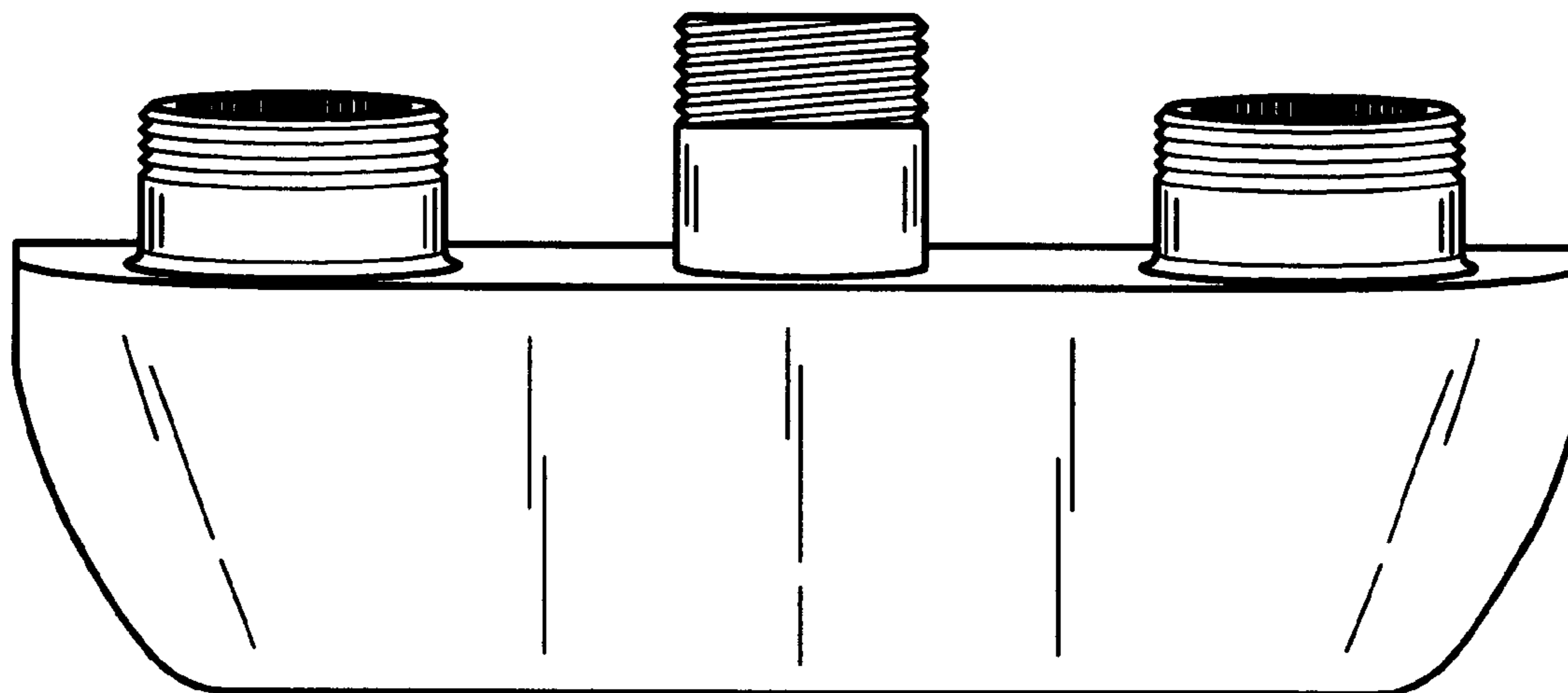
FIG. 4 is a top plane view thereof.

FIG. 5 is a bottom plane view thereof.

FIG. 6 is a perspective view of thereof; and,

FIG. 7 is a perspective view showing one application of the present invention, where those environmental features illustrated in dashed lines are not claimed in the present invention.

1 Claim, 5 Drawing Sheets



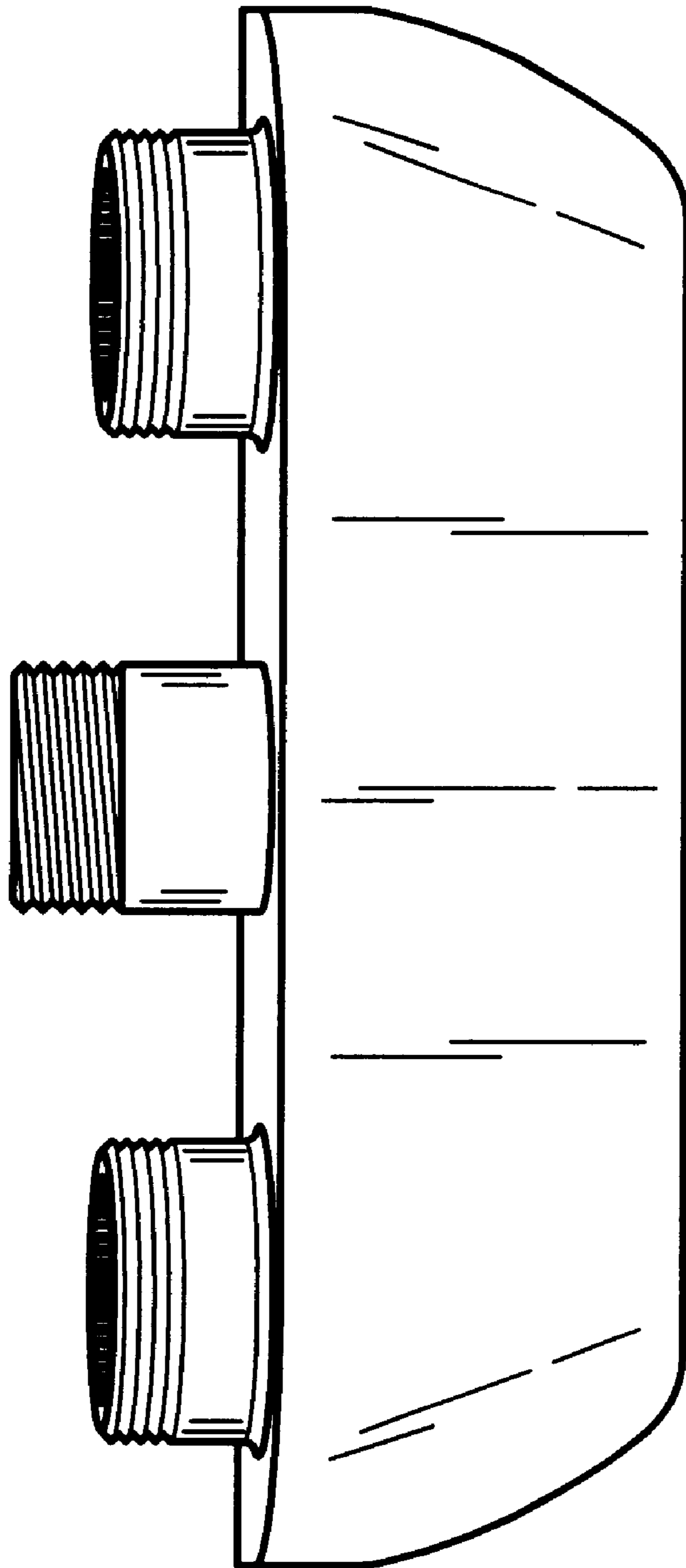


FIG. 1

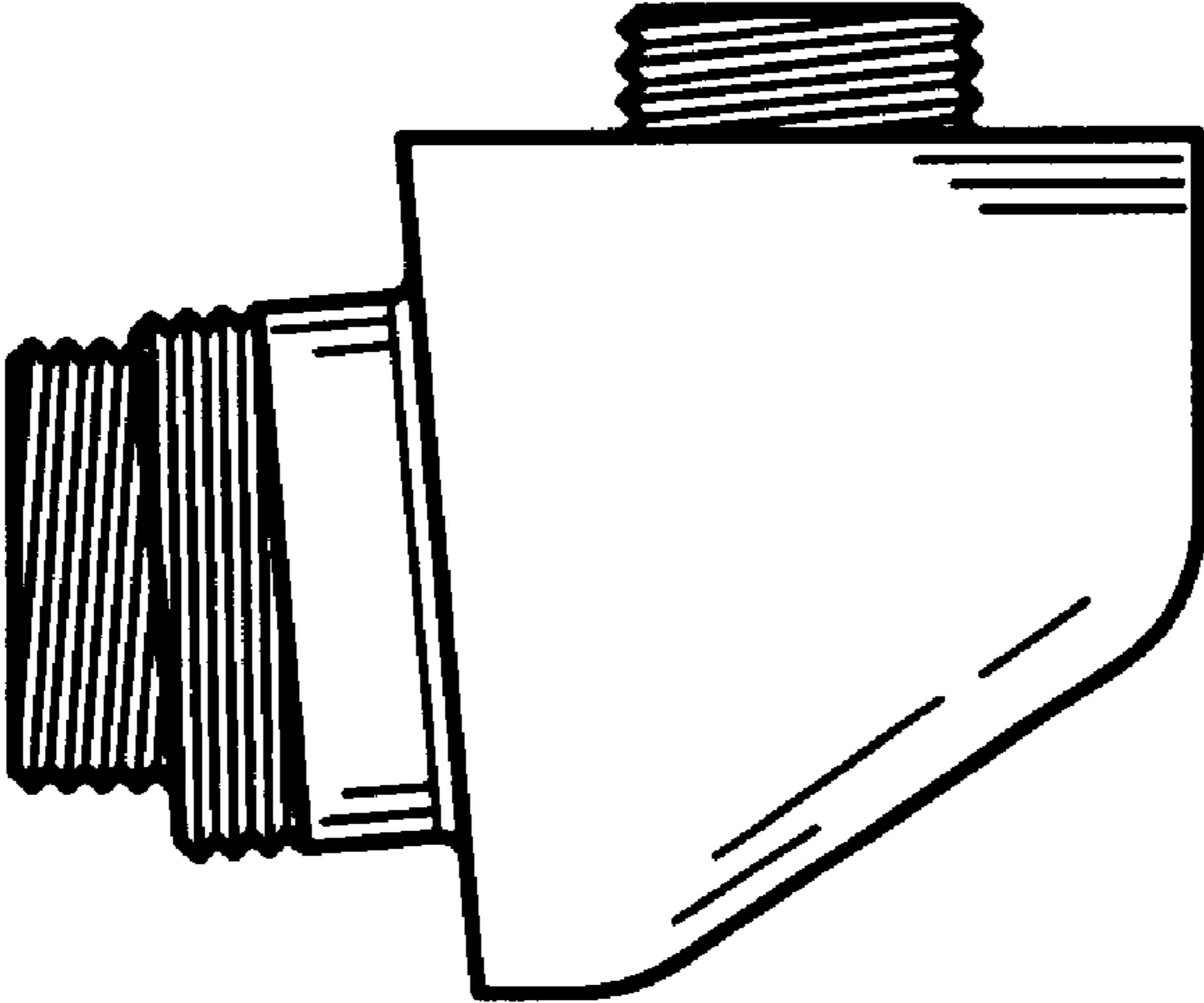


FIG. 3

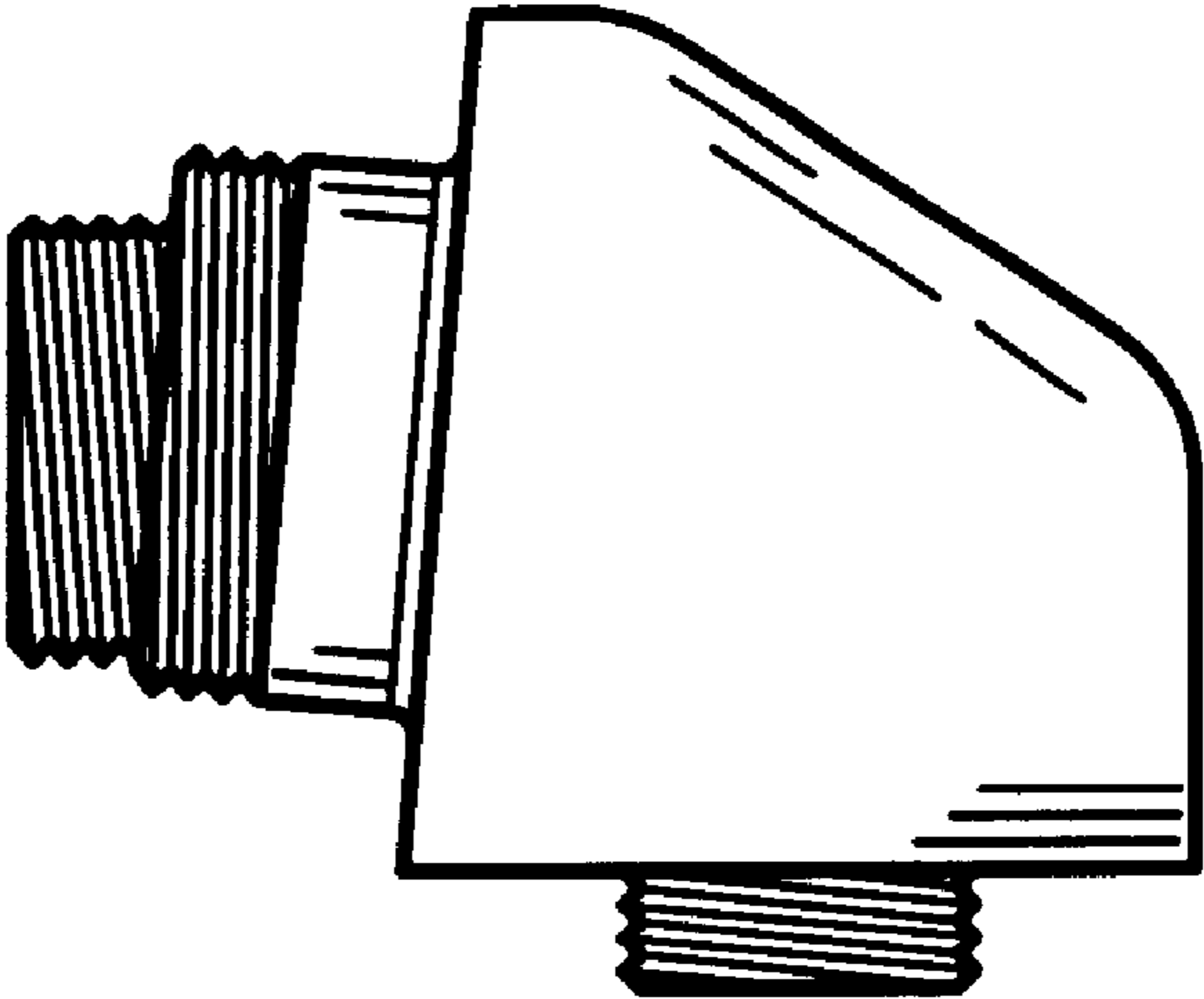


FIG. 2

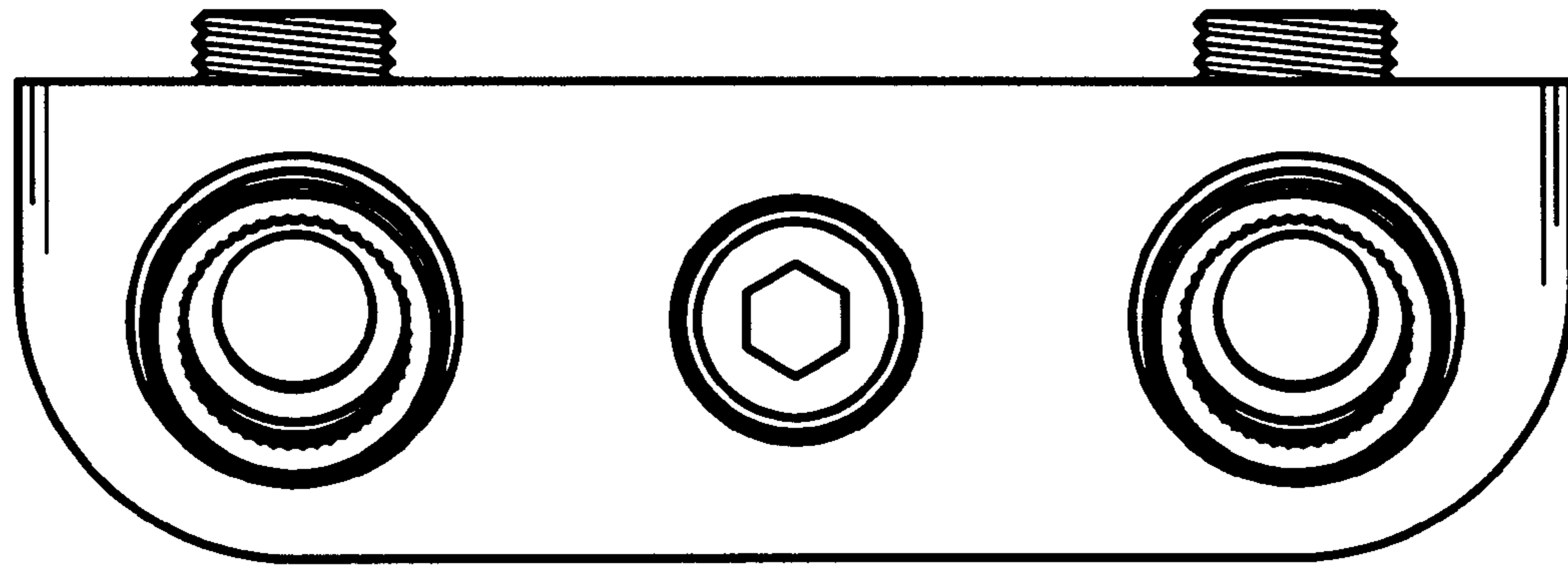


FIG. 4

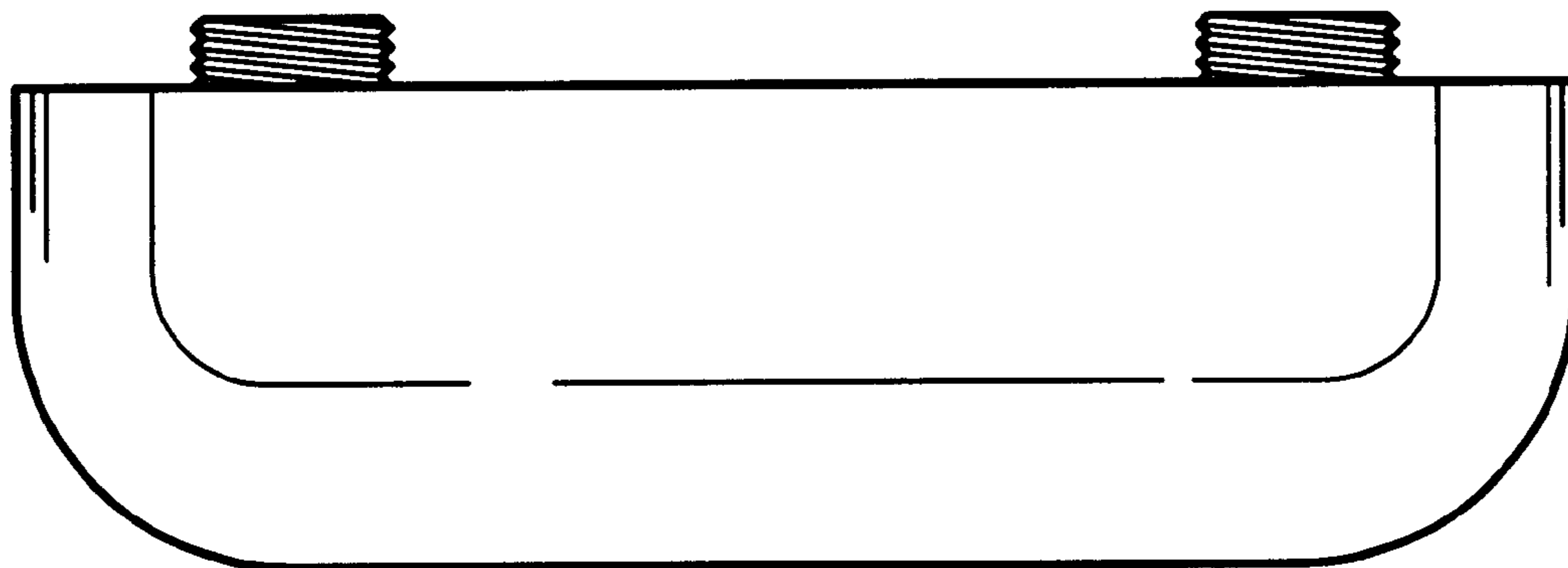


FIG. 5

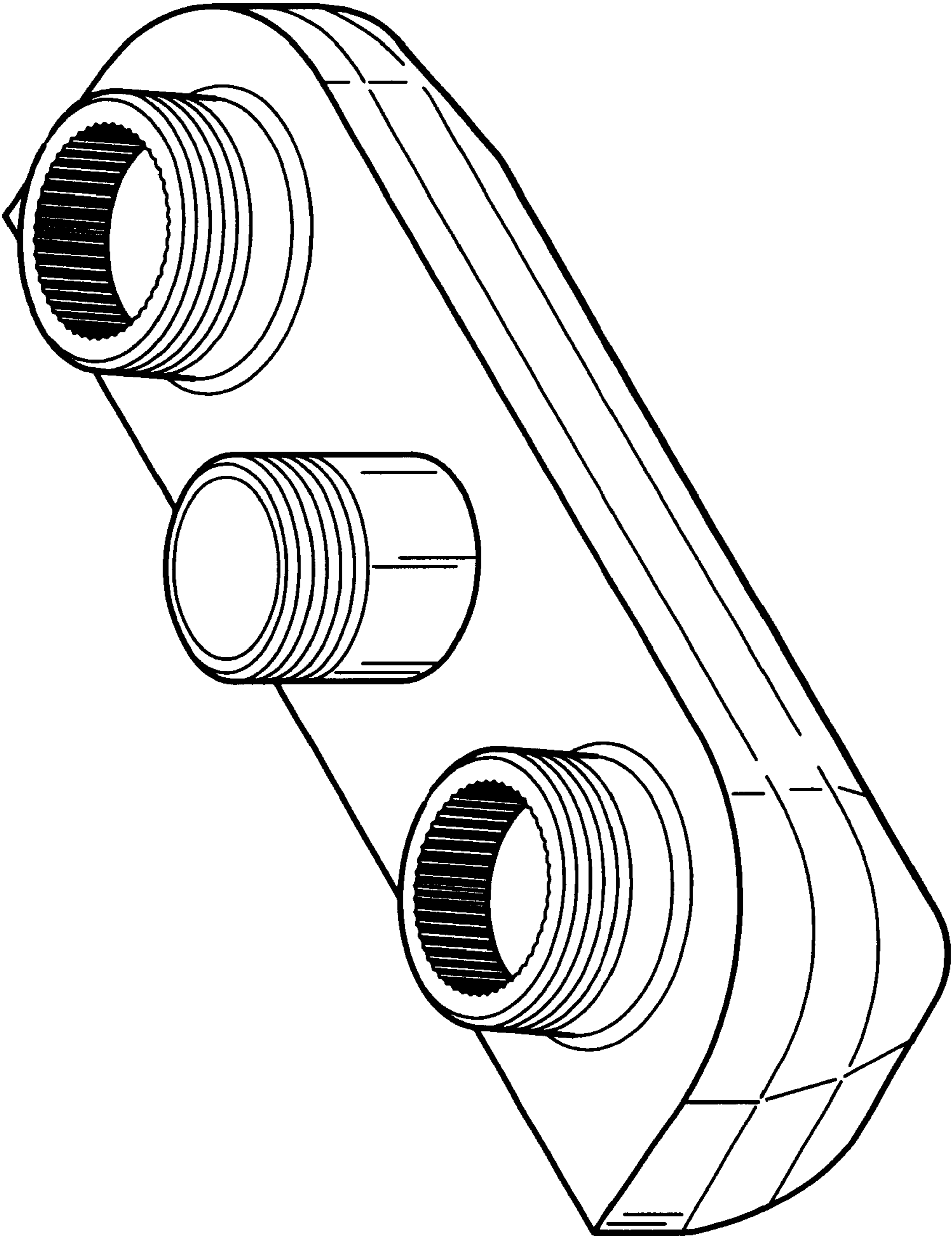


FIG. 6

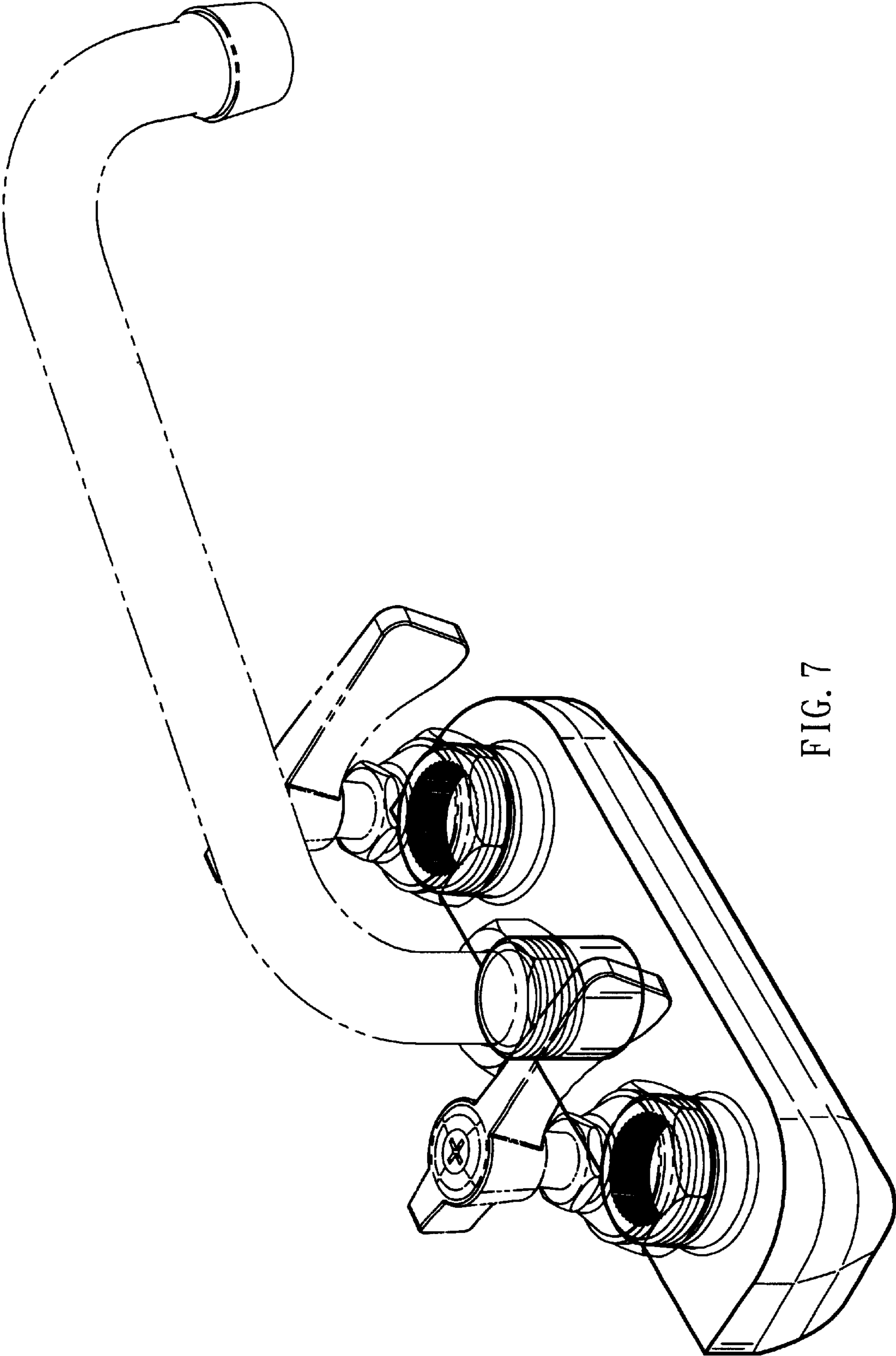


FIG. 7