



US00D523114S

(12) **United States Design Patent**
Schaffeld et al.

(10) **Patent No.: US D523,114 S**

(45) **Date of Patent: ** Jun. 13, 2006**

(54) **FAUCET HANDLE HUB**

(75) Inventors: **John Schaffeld**, Marshfield, MA (US);
Steffen Koury, Charlestown, MA (US)

(73) Assignee: **Masco Corporation of Indiana**,
Indianapolis, IN (US)

(**) Term: **14 Years**

(21) Appl. No.: **29/220,080**

(22) Filed: **Dec. 23, 2004**

(51) **LOC (8) Cl.** **23-01**

(52) **U.S. Cl.** **D23/249; D23/250**

(58) **Field of Classification Search** D23/238-257;
D8/250-257, 300-322, DIG. 3; 16/110.1;
4/675-678; 137/801

See application file for complete search history.

(56) **References Cited**

U.S. PATENT DOCUMENTS

D327,732 S * 7/1992 Yost D23/250

D333,697 S * 3/1993 Thomas D23/250
D433,732 S * 11/2000 Lord D23/249
D438,600 S * 3/2001 Spangler D23/249
D444,542 S * 7/2001 Burns et al. D23/249

* cited by examiner

Primary Examiner—Louis S. Zarfes

Assistant Examiner—G. Andoll

(74) *Attorney, Agent, or Firm*—Kwadjo Adusei-Poku;
Lloyd D. Doigan

(57) **CLAIM**

The ornamental design for a faucet handle hub, as shown and described.

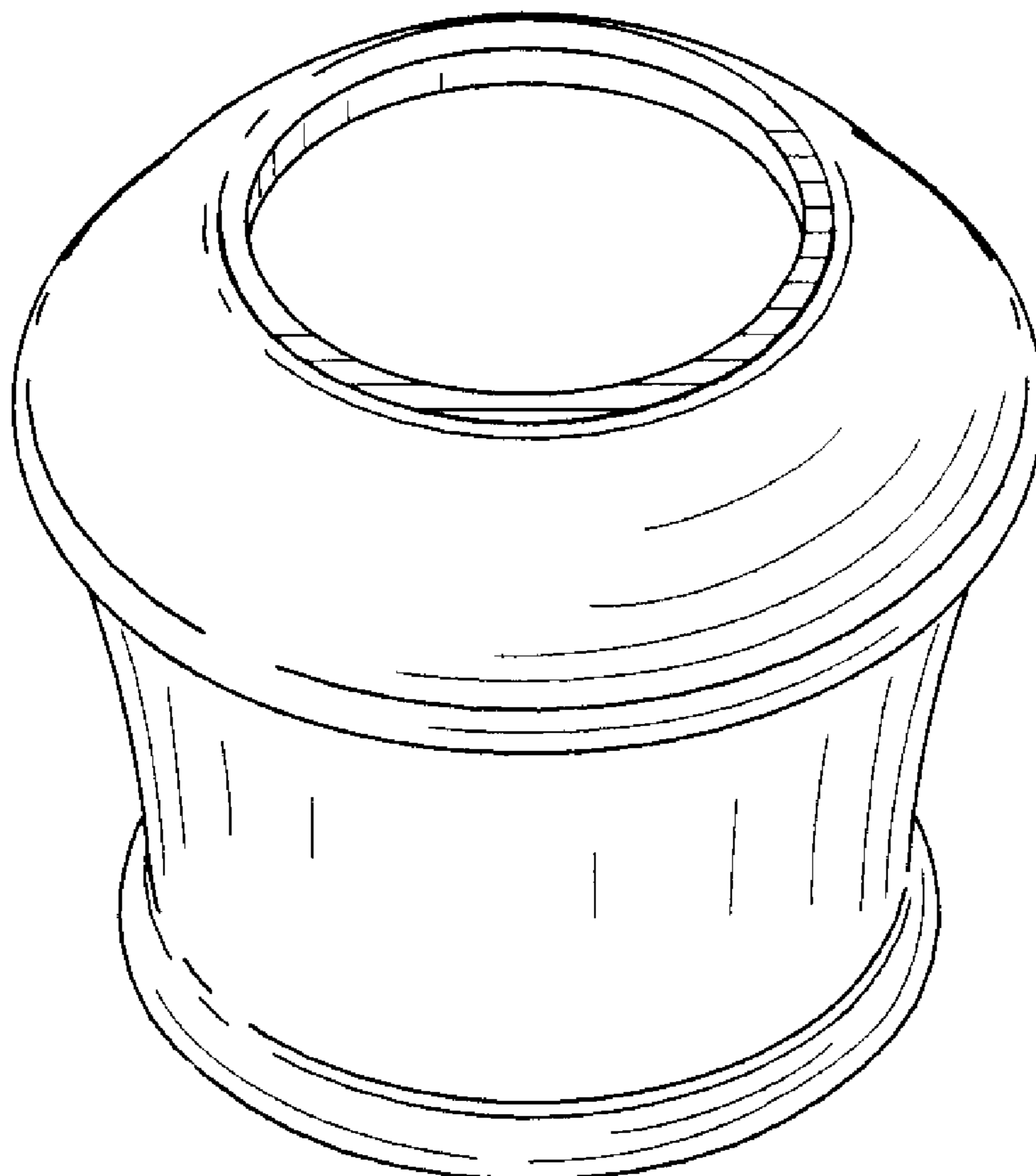
DESCRIPTION

FIG. 1 is a front perspective view of a faucet handle hub showing my design;

FIG. 2 is an elevational view thereof; and,

FIG. 3 is a top plan view thereof.

1 Claim, 3 Drawing Sheets



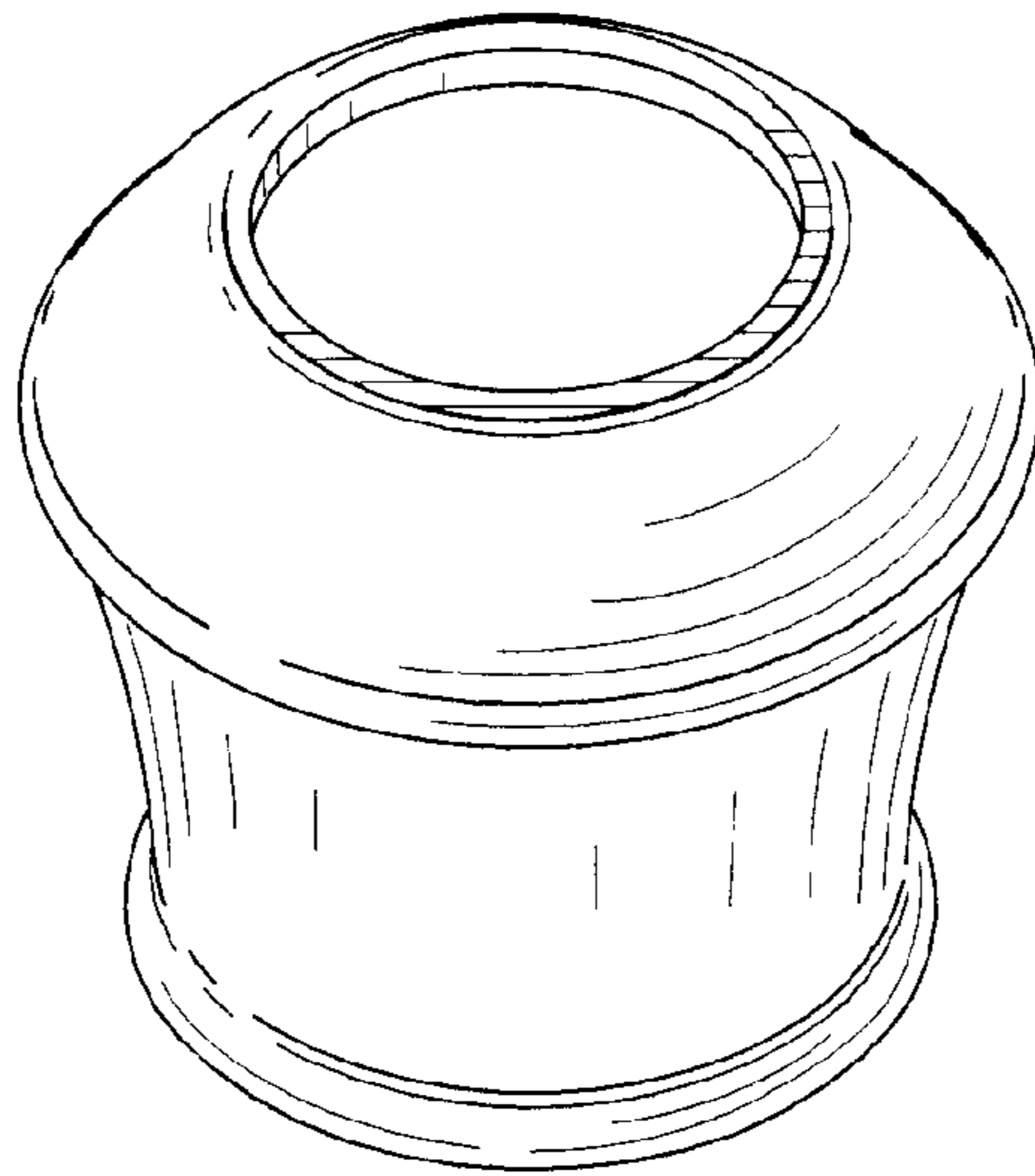


FIG. 1

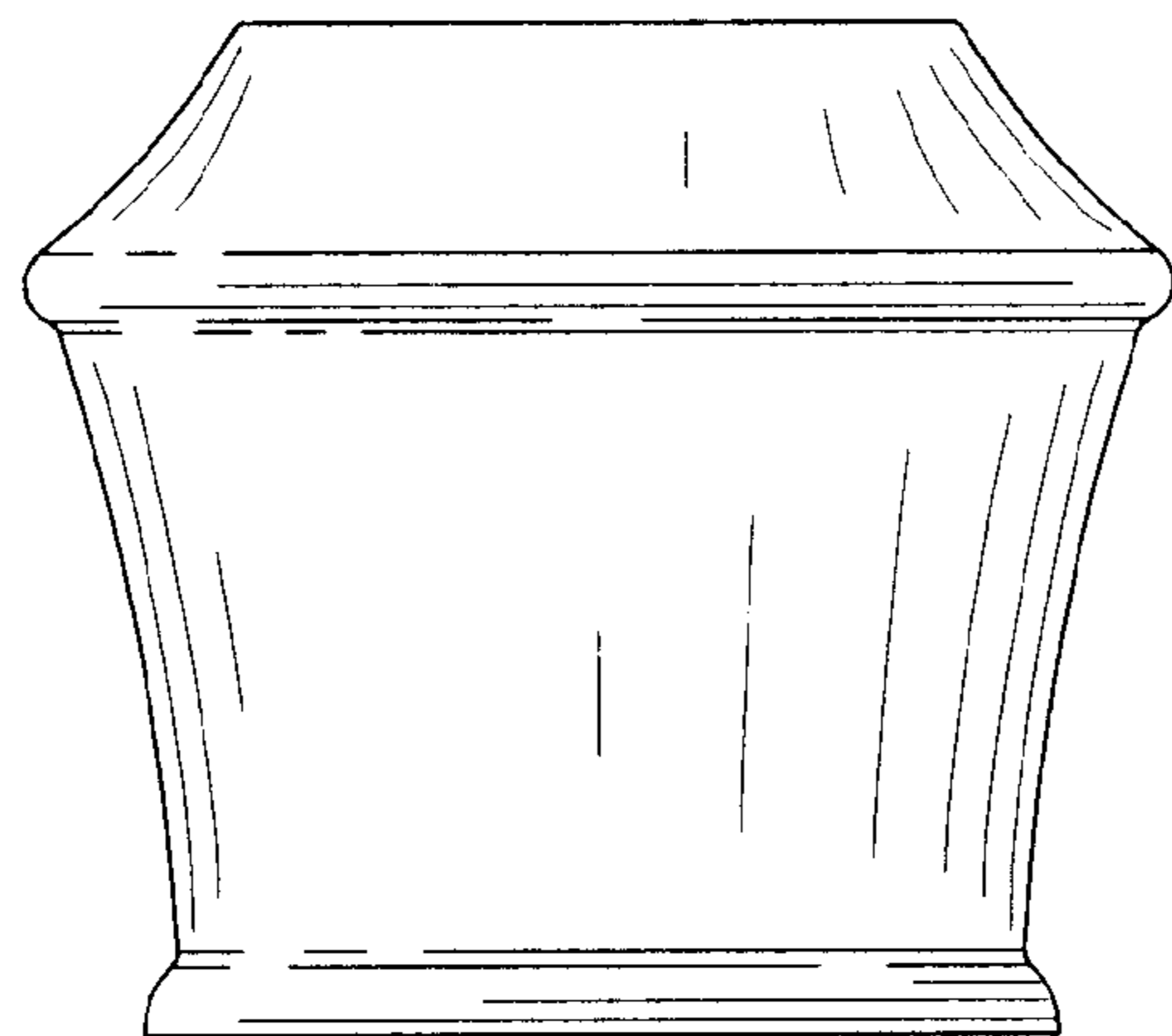


FIG. 2

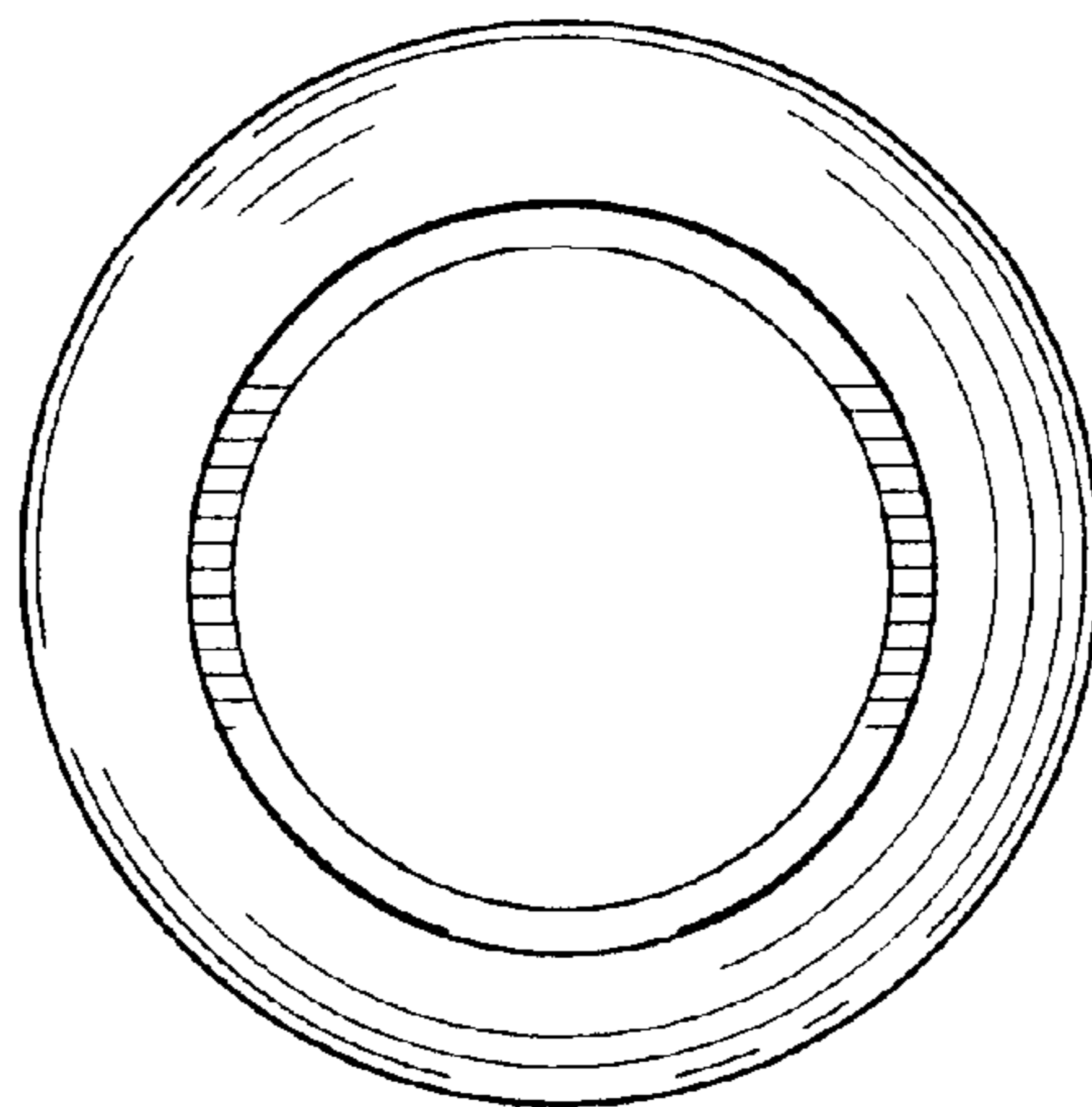


FIG. 3