



US00D523113S

(12) **United States Design Patent**  
**Koury et al.**

(10) **Patent No.:** **US D523,113 S**  
(45) **Date of Patent:** **\*\* Jun. 13, 2006**

(54) **FAUCET ESCUTCHEON**  
(75) Inventors: **Steffen Koury**, Charlestown, MA (US);  
**John Schaffeld**, Marshfield, MA (US)

(73) Assignee: **Masco Corporation of Indiana**,  
Indianapolis, IN (US)

(\*\*) Term: **14 Years**

(21) Appl. No.: **29/218,233**

(22) Filed: **Nov. 30, 2004**

(51) **LOC (8) Cl.** ..... **23-01**

(52) **U.S. Cl.** ..... **D23/249**

(58) **Field of Classification Search** ..... D23/233-257,  
D23/269; D8/350-353; 4/675-678, 191-193;  
137/801

See application file for complete search history.

(56) **References Cited**

U.S. PATENT DOCUMENTS

D383,194 S \* 9/1997 Doughty et al. .... D23/249  
D413,652 S \* 9/1999 Ko ..... D23/242  
D433,485 S \* 11/2000 Lord ..... D23/249  
D438,292 S \* 2/2001 Lord ..... D23/249

D478,154 S \* 8/2003 Ouyoung ..... D23/249  
D492,012 S \* 6/2004 Lin ..... D23/249  
D509,566 S \* 9/2005 Yegyayan ..... D23/249  
D510,129 S \* 9/2005 Ouyoung ..... D23/254  
D512,489 S \* 12/2005 Gilbert ..... D23/254

\* cited by examiner

*Primary Examiner*—Ian Simmons

*Assistant Examiner*—Maurice Stevens

(74) *Attorney, Agent, or Firm*—Kwadjo Adusei-Poku;  
Lloyd D. Doigan

(57) **CLAIM**

The ornamental design for a faucet escutcheon, as shown  
and described.

**DESCRIPTION**

FIG. 1 is a front perspective view of a faucet escutcheon  
showing our design;

FIG. 2 is a front elevational view thereof;

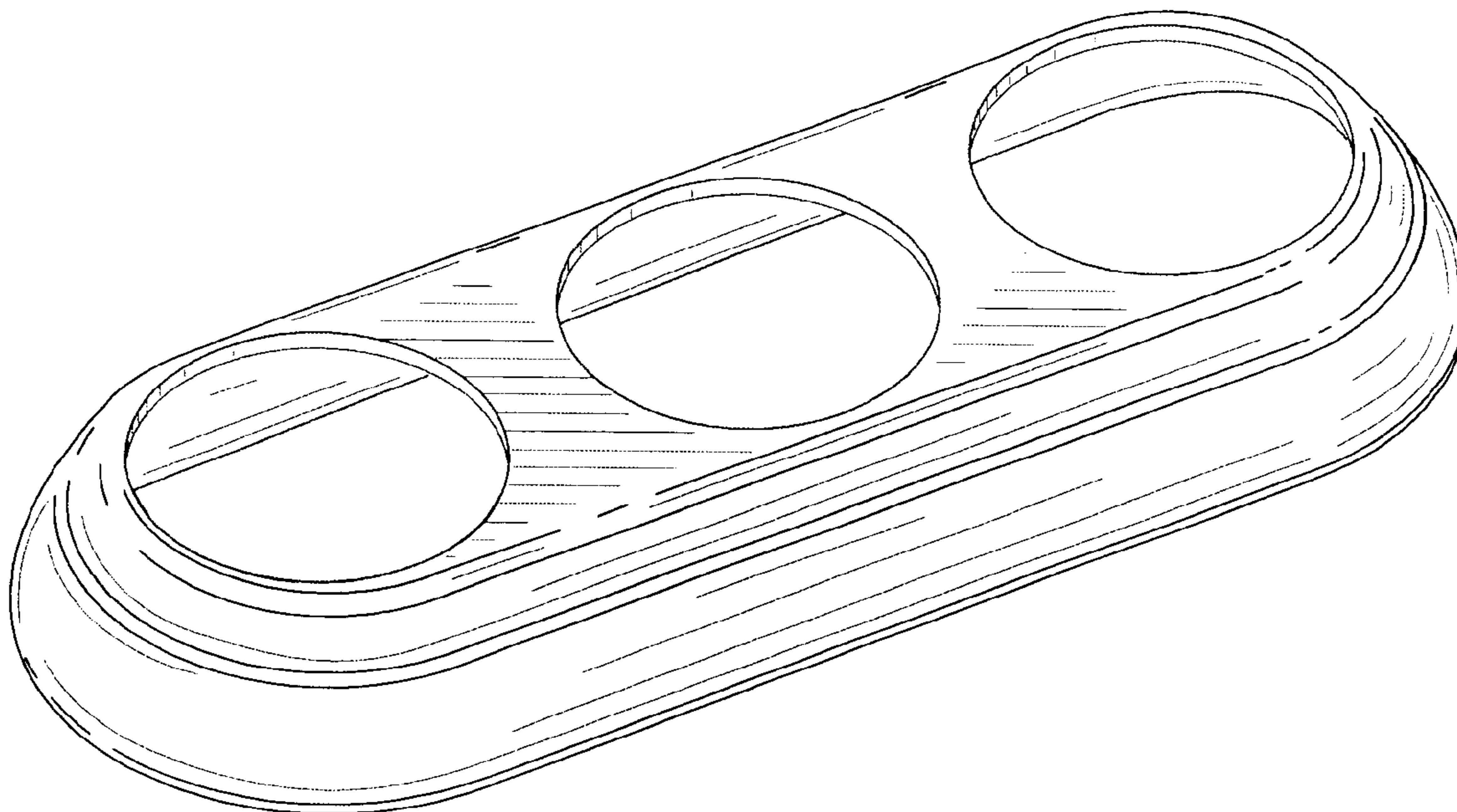
FIG. 3 is a rear elevational view thereof;

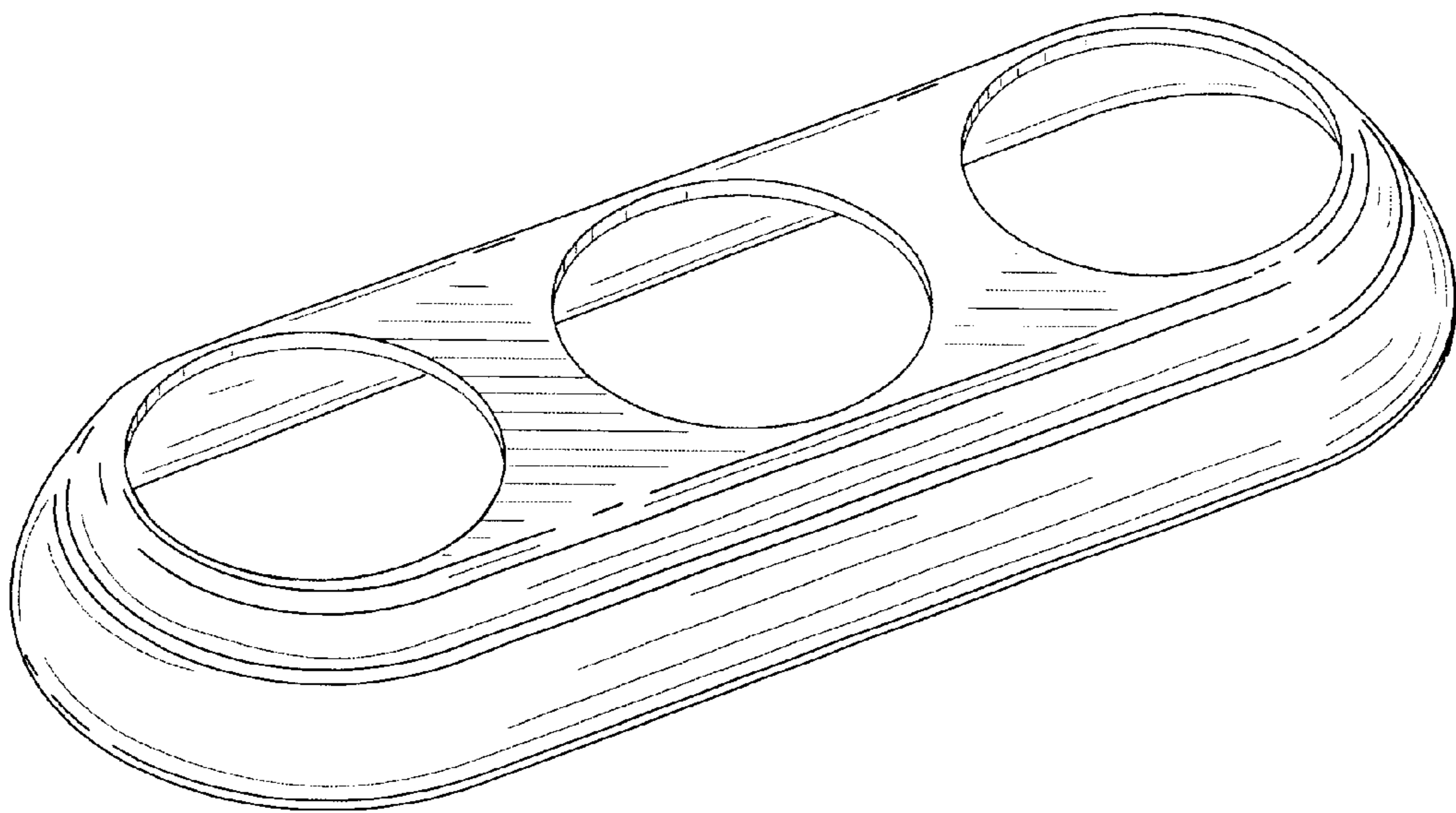
FIG. 4 is a left side elevational view thereof;

FIG. 5 is a right side elevational view thereof; and,

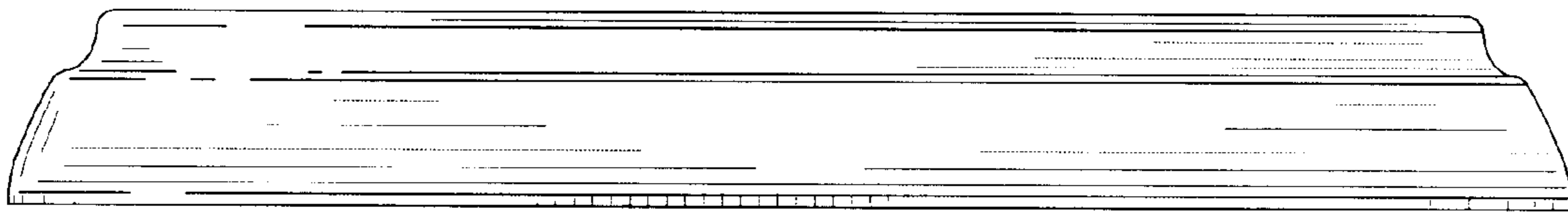
FIG. 6 is a top plan view thereof.

**1 Claim, 6 Drawing Sheets**

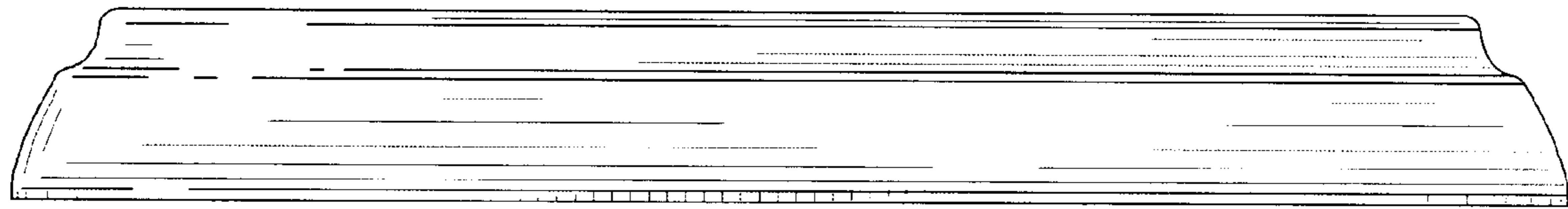




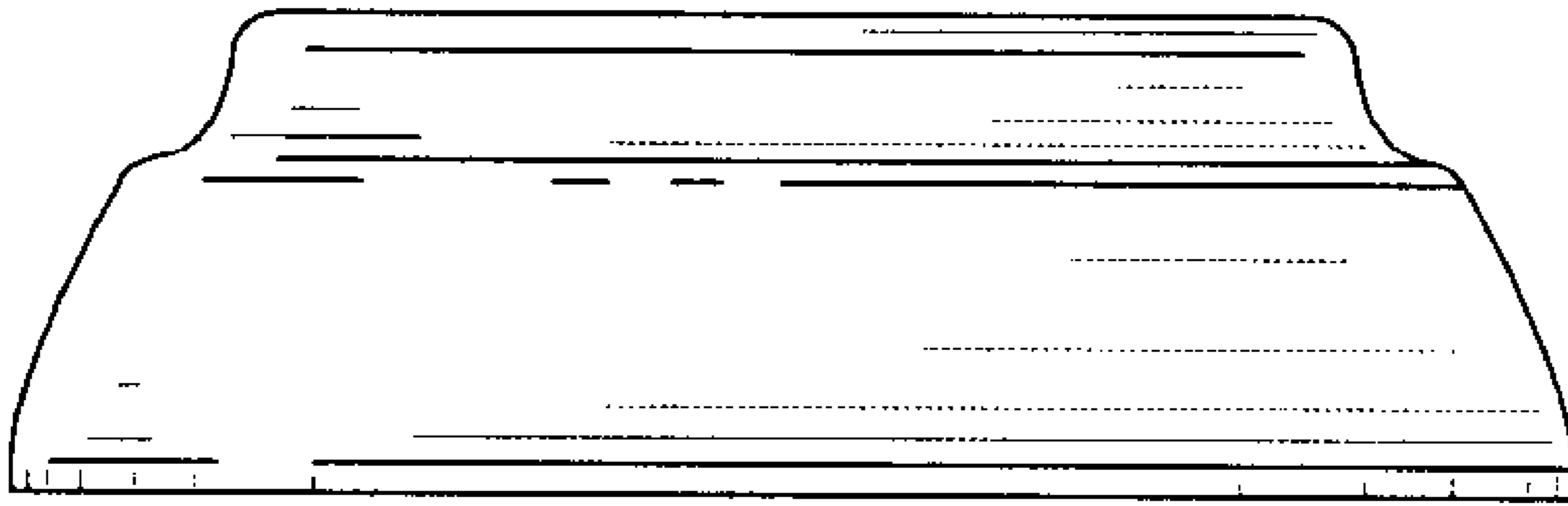
**FIG. 1**



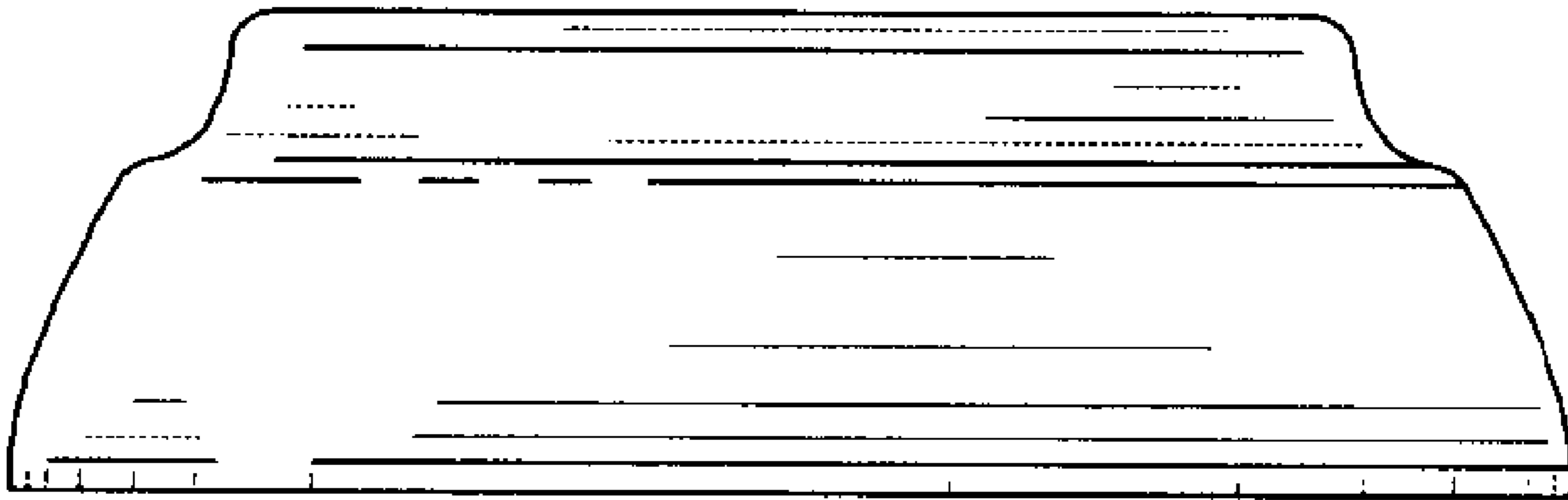
**FIG. 2**



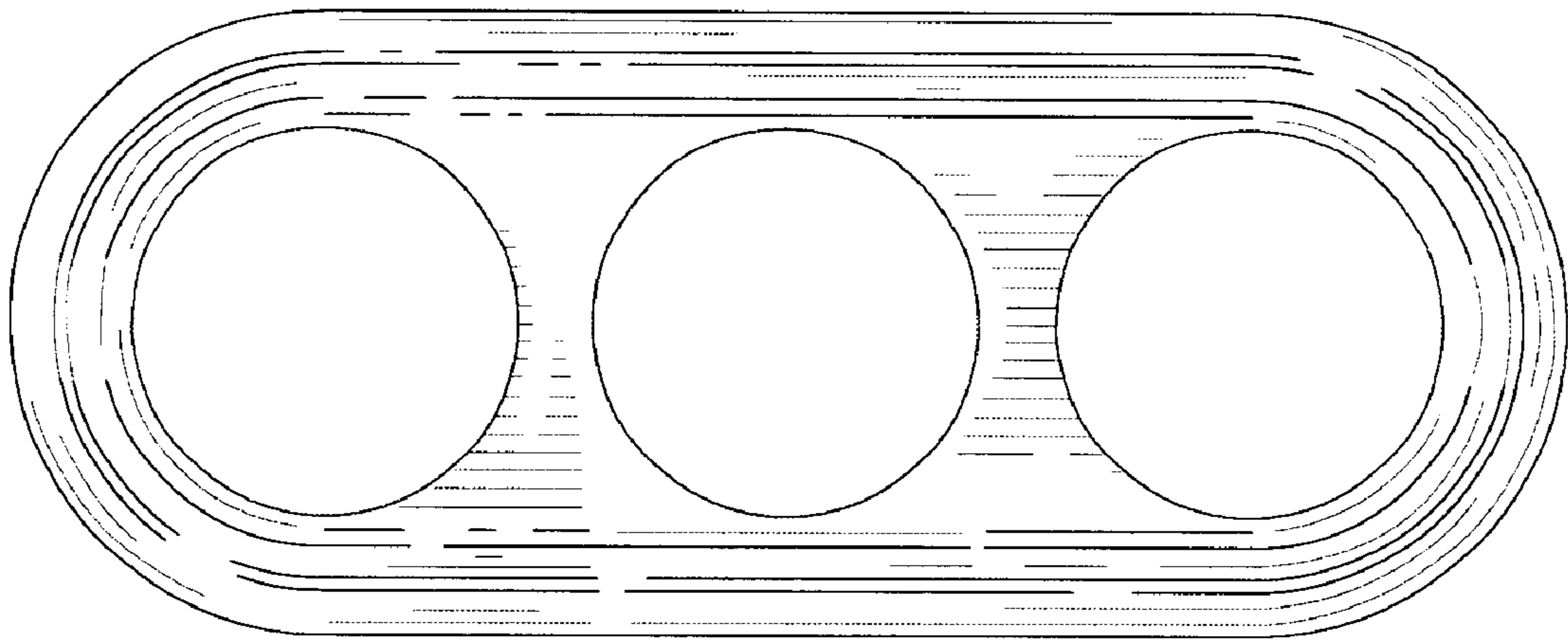
**FIG. 3**



**FIG. 4**



**FIG. 5**



**FIG. 6**