

US00D523111S

(12) **United States Design Patent**
Huang

(10) **Patent No.:** **US D523,111 S**

(45) **Date of Patent:** **** Jun. 13, 2006**

(54) **SPRAY GUN BODY**

(76) **Inventor:** **Tiao-Hsiang Huang**, No. 190, Chung Cheng St., Shin Chuang City, Taipei Hsien (TW)

(**) **Term:** **14 Years**

(21) **Appl. No.:** **29/223,018**

(22) **Filed:** **Feb. 9, 2005**

(51) **LOC (8) Cl.** **23-01**

(52) **U.S. Cl.** **D23/226**

(58) **Field of Classification Search** D23/213,
D23/223, 226; 239/525-6, 690-1
See application file for complete search history.

(56) **References Cited**

U.S. PATENT DOCUMENTS

- D295,548 S * 5/1988 Dalton D23/226
- 4,915,303 A * 4/1990 Hufgard 239/300
- D313,270 S * 12/1990 Lin D23/226
- D314,421 S * 2/1991 Tajima et al. D23/226

- D448,451 S * 9/2001 Turnbull et al. D23/226
- 6,626,382 B1 * 9/2003 Liu 239/569
- D497,661 S * 10/2004 Chen D23/226

* cited by examiner

Primary Examiner—Robin Webster

(74) *Attorney, Agent, or Firm*—Rosenberg, Klein & Lee

(57) **CLAIM**

I claim, the ornamental design for a spray gun body, as shown and described.

DESCRIPTION

FIG. 1 is a perspective view of a spray gun body showing my present design;
 FIG. 2 is a front view thereof;
 FIG. 3 is a rear view thereof;
 FIG. 4 is a left view thereof;
 FIG. 5 is a right view thereof;
 FIG. 6 is a top plan view thereof; and,
 FIG. 7 is a bottom plan view.

1 Claim, 5 Drawing Sheets

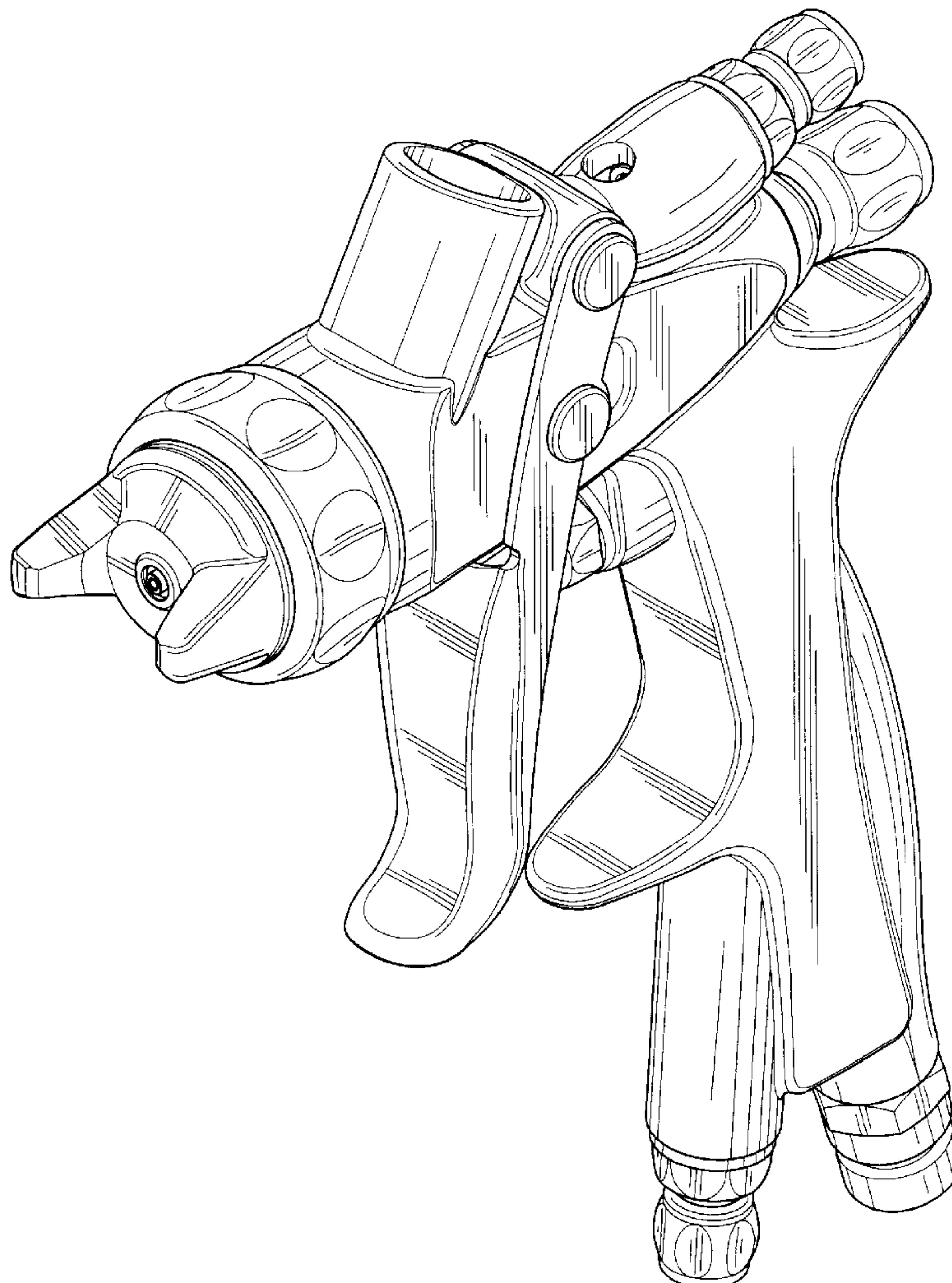




FIG. 1

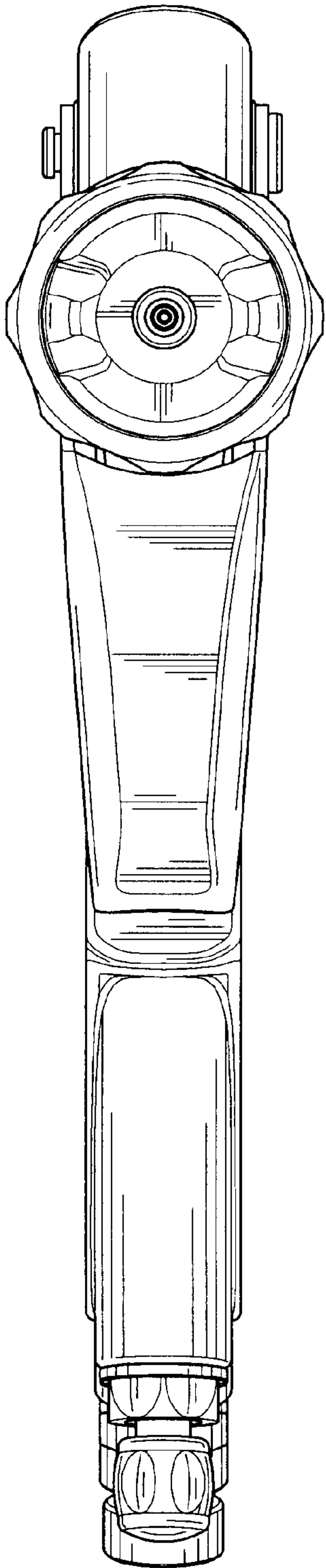


FIG. 2

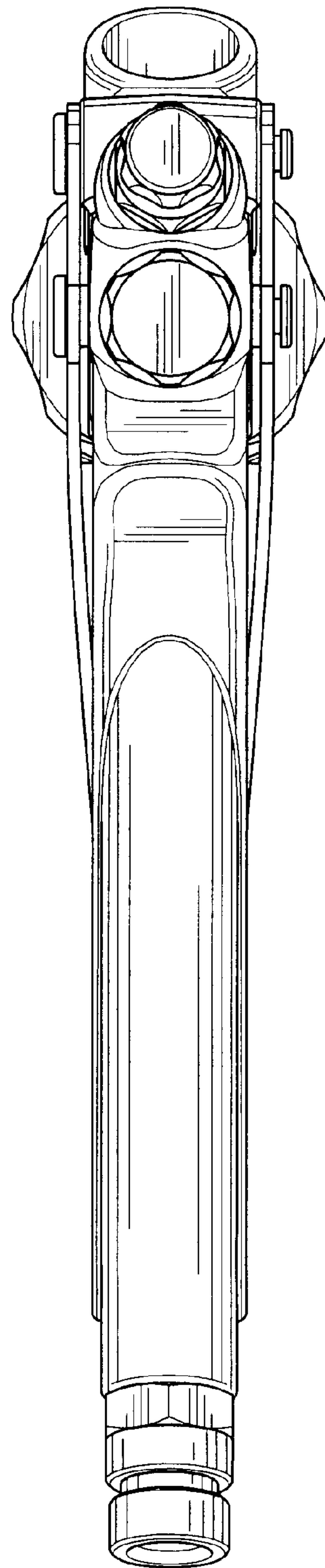


FIG. 3

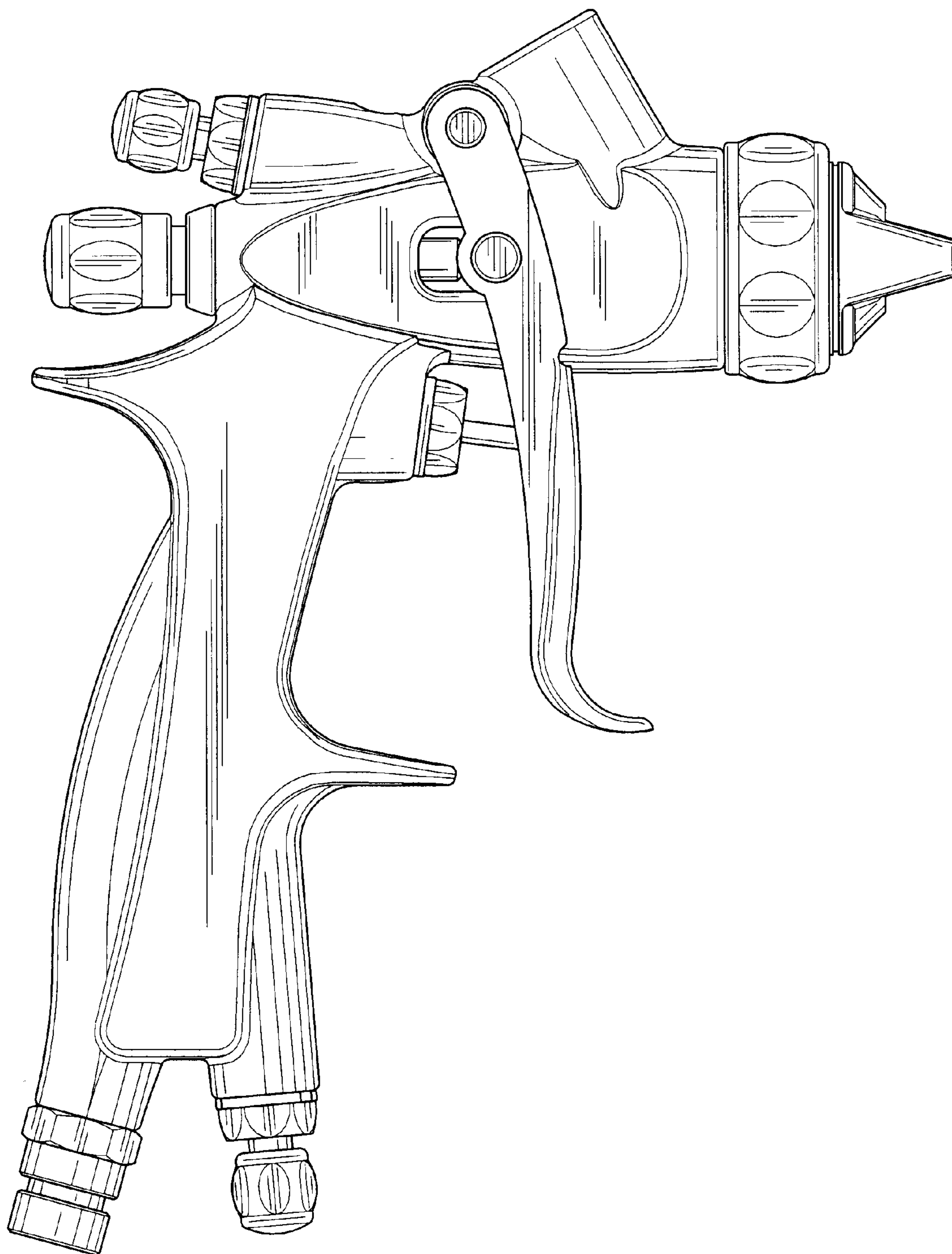


FIG. 4

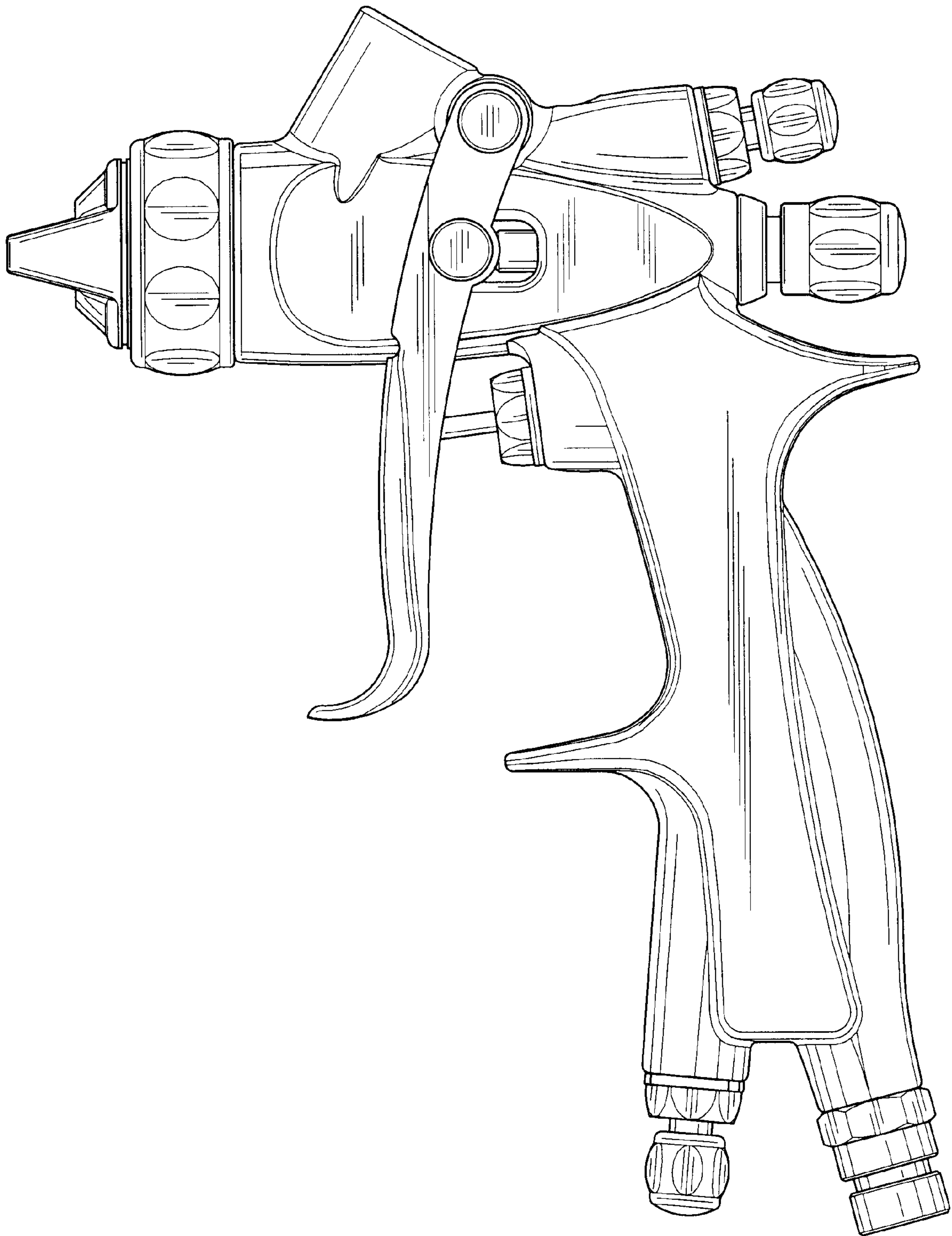


FIG. 5

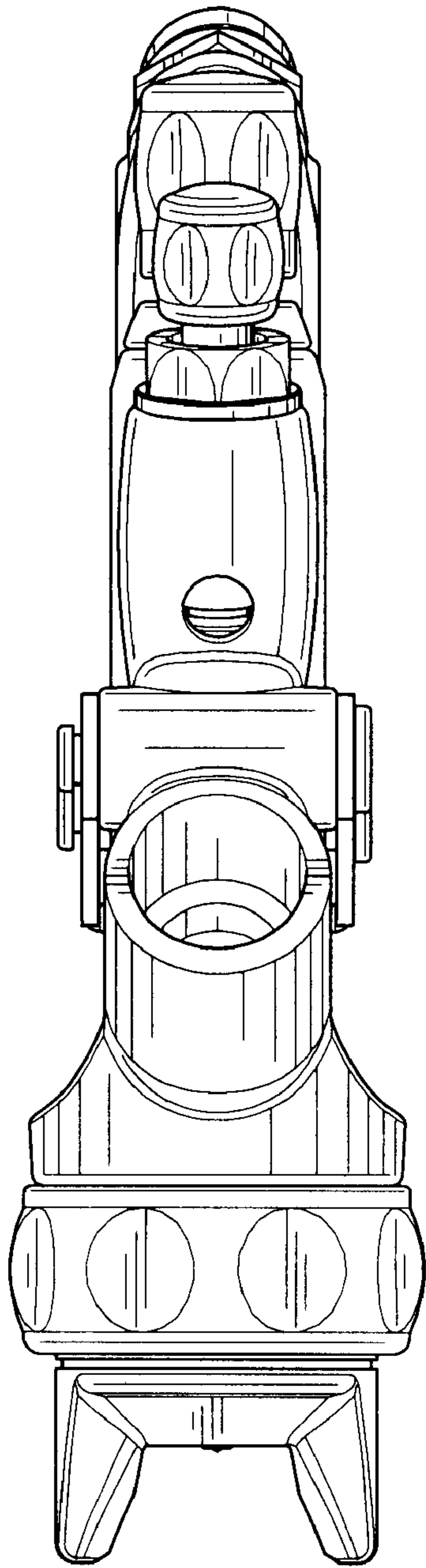


FIG. 6

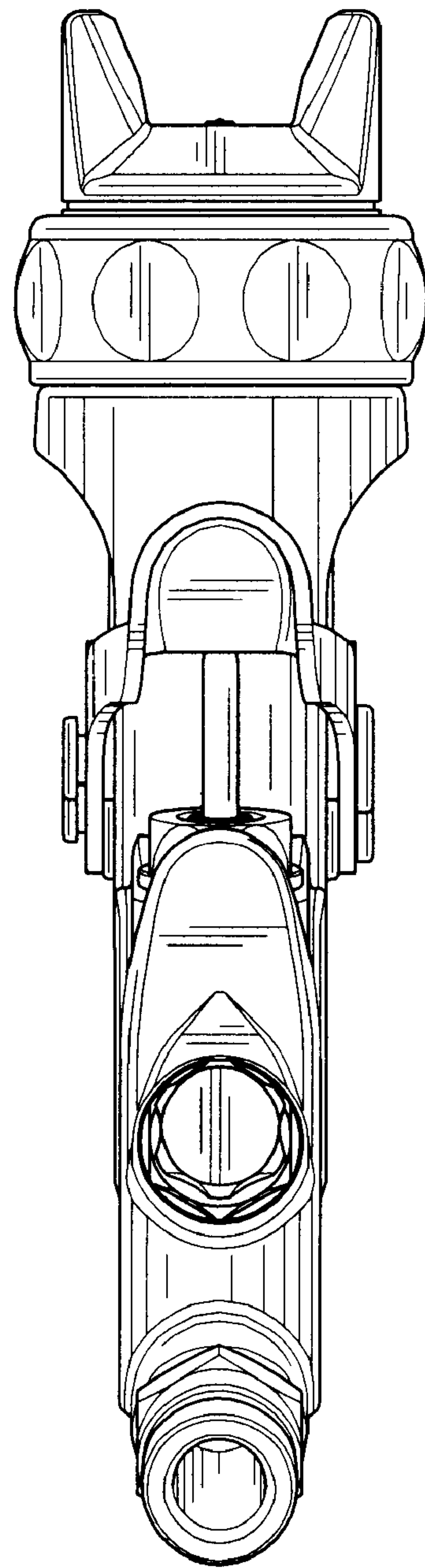


FIG. 7