

US00D523109S

(12) **United States Design Patent**  
**Palmer, Jr.**

(10) **Patent No.:** **US D523,109 S**  
(45) **Date of Patent:** **\*\* Jun. 13, 2006**

(54) **COMBINED FISHING ROD HOLDER AND ASSOCIATED BELT**

(76) Inventor: **William D. Palmer, Jr.**, 1547 Asbury Ave., 2nd Floor, Ocean City, NJ (US) 08226

(\*\*) Term: **14 Years**

(21) Appl. No.: **29/228,447**

(22) Filed: **Apr. 25, 2005**

(51) **LOC (8) Cl.** ..... **22-05**

(52) **U.S. Cl.** ..... **D22/147; D3/221**

(58) **Field of Classification Search** ..... D22/147, D22/138, 199; 43/21.2; 224/922, 661, 245, 224/222, 219, 269, 251; D3/221, 229, 224-228  
See application file for complete search history.

(56) **References Cited**

**U.S. PATENT DOCUMENTS**

3,874,573	A	4/1975	Fruscella et al.	.....	224/242
4,587,757	A	5/1986	Lirette	.....	43/21.2
4,739,914	A	4/1988	Potheses	.....	224/673
5,044,109	A	9/1991	Fast	.....	43/21.2
5,123,578	A	6/1992	Morse	.....	224/151
5,386,932	A	2/1995	Gross	.....	224/200
5,511,336	A *	4/1996	Bishop	.....	43/21.2
5,992,717	A	11/1999	Clewes et al.	.....	224/251
6,029,872	A *	2/2000	Ellington	.....	224/251

6,185,856	B1	2/2001	Yakabe	.....	43/21.2
6,357,639	B1 *	3/2002	Williams	.....	224/222
D464,705	S	10/2002	Ratliffe	.....	D22/147
6,805,270	B1 *	10/2004	Fraser	.....	224/673
2004/0123509	A1 *	7/2004	Borgeat	.....	43/21.2
2004/0195280	A1 *	10/2004	Shackelford	.....	D3/229 X
2005/0279008	A1 *	12/2005	Hernandez	.....	43/21.2

**OTHER PUBLICATIONS**

Title of Source: [www.fishing-catalog.com](http://www.fishing-catalog.com) Product Name: Rodmate Rod Holder.

\* cited by examiner

*Primary Examiner*—Catherine R. Oliver

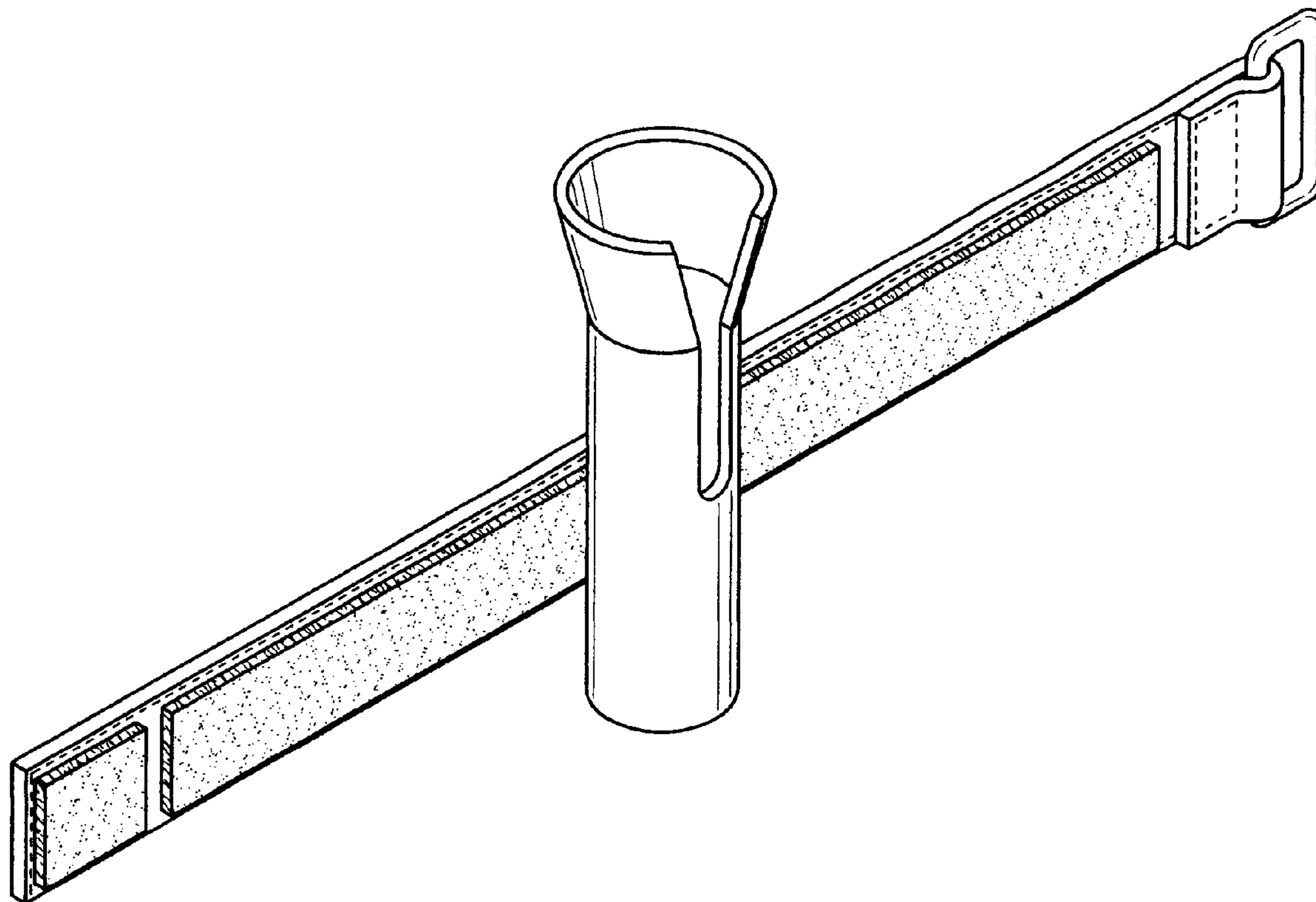
(57) **CLAIM**

The ornamental design for a combined fishing rod holder and associated belt, as shown and described.

**DESCRIPTION**

FIG. 1 is a front elevational view of a combined fishing rod holder and associated belt showing my new design; FIG. 2 is a rear elevational view thereof; FIG. 3 is a right side elevational view thereof; FIG. 4 is a left side elevational view thereof; FIG. 5 is a top plan view thereof; FIG. 6 is a bottom plan view thereof; and, FIG. 7 is a perspective view thereof.

**1 Claim, 4 Drawing Sheets**



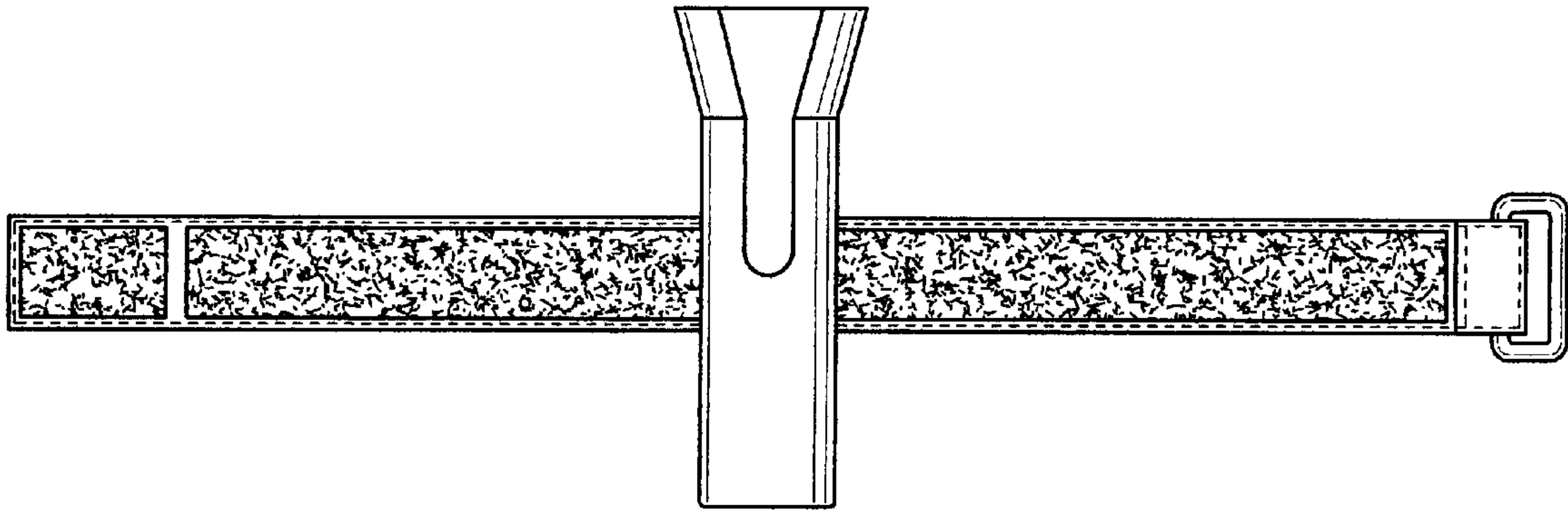


FIG. 1

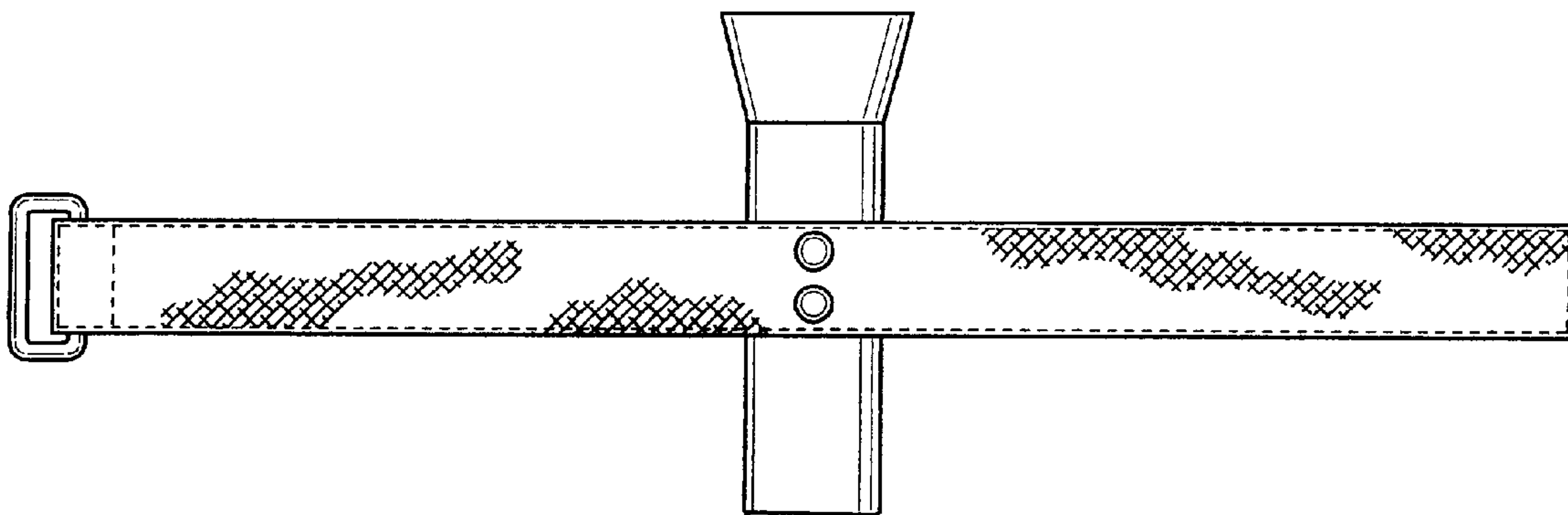


FIG. 2

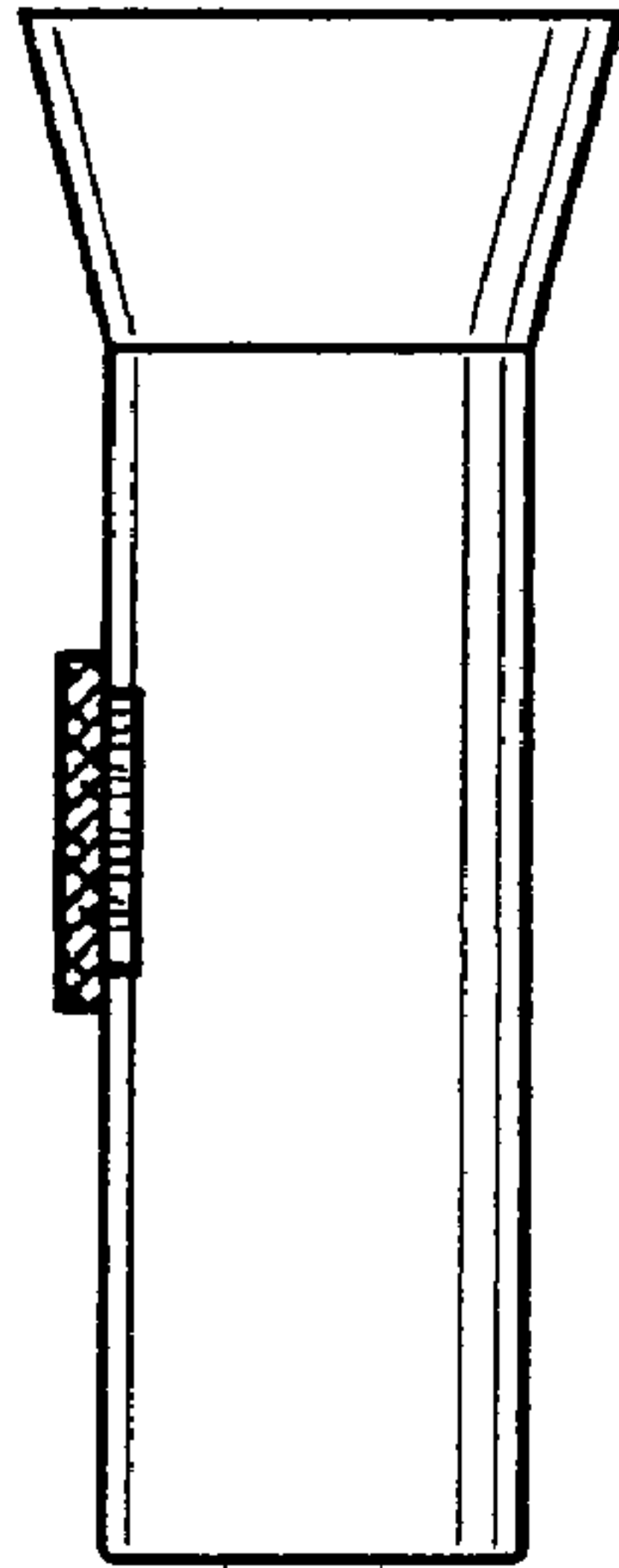


FIG.3

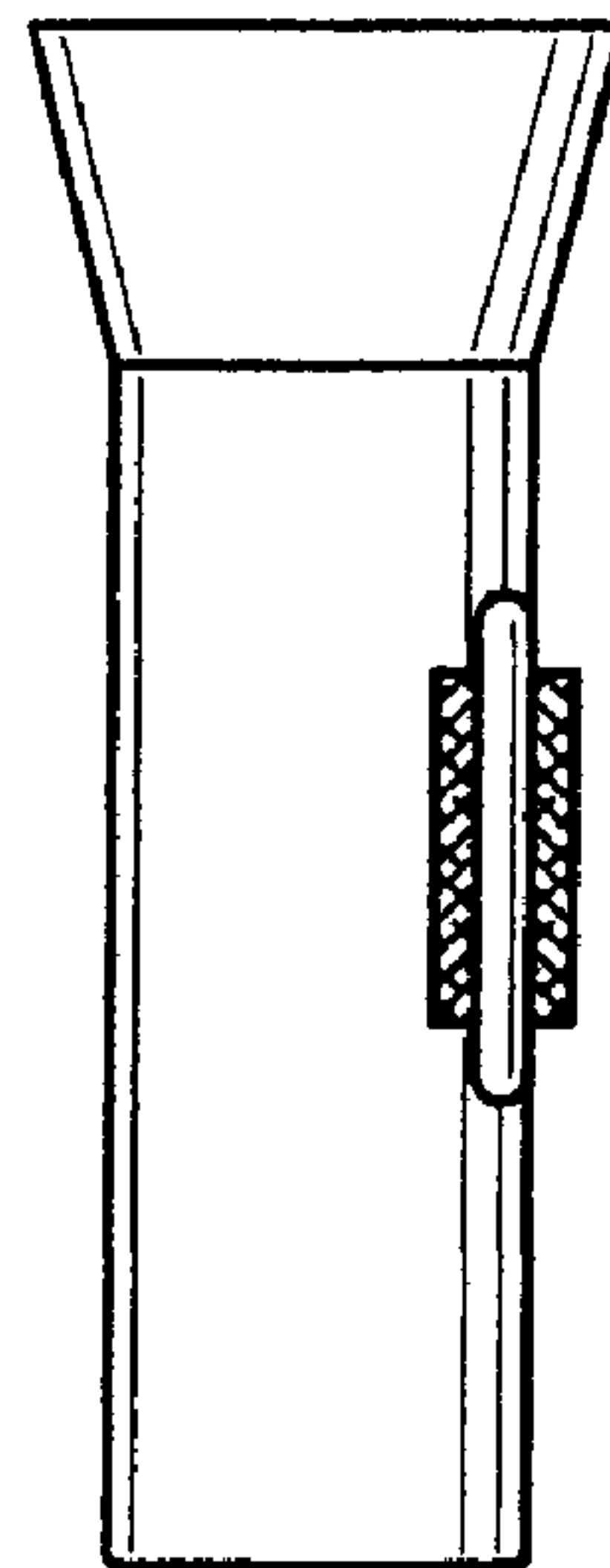


FIG.4

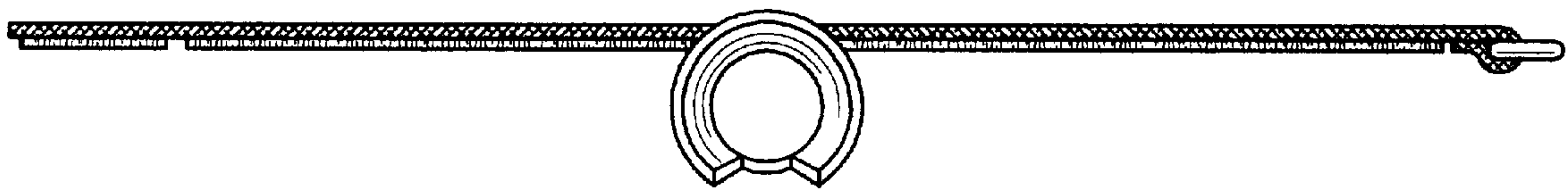


FIG. 5

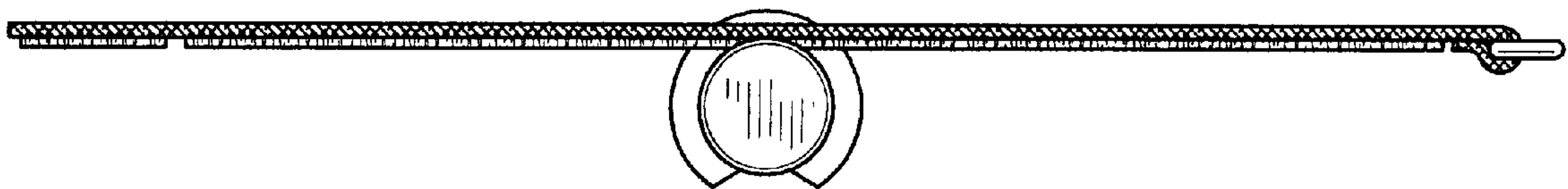


FIG. 6

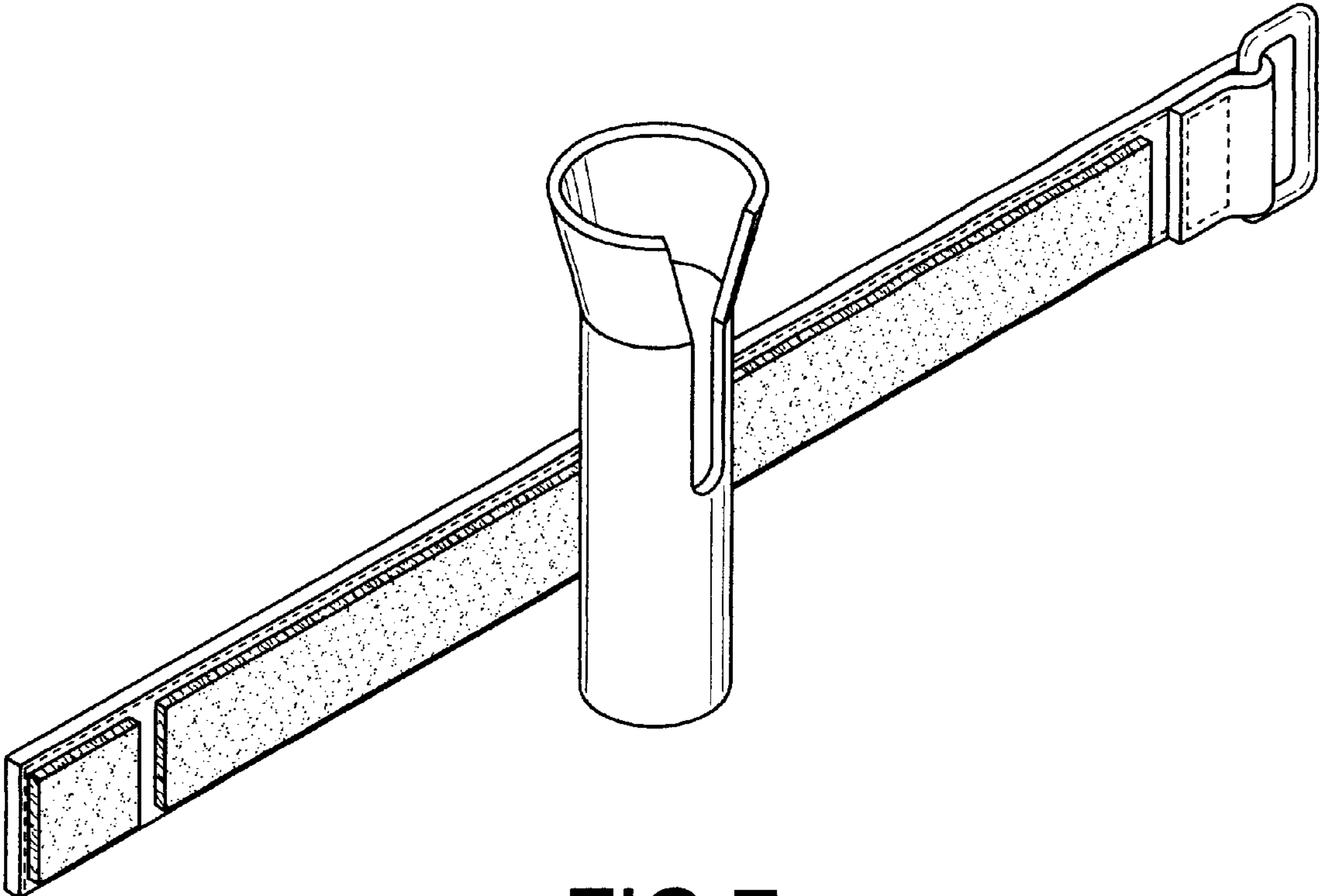


FIG.7