

US00D523107S

(12) **United States Design Patent**  
**Grace**

(10) **Patent No.:** **US D523,107 S**

(45) **Date of Patent:** **\*\* Jun. 13, 2006**

(54) **PORTION OF A PUTTER**

(75) Inventor: **Robert M. Grace**, St. Pete Beach, FL  
(US)

(73) Assignee: **MacGregor Golf Company**, Albany,  
GA (US)

(\*\*) Term: **14 Years**

(21) Appl. No.: **29/225,771**

(22) Filed: **Mar. 21, 2005**

(51) **LOC (8) Cl.** ..... **21-02**

(52) **U.S. Cl.** ..... **D21/759**

(58) **Field of Classification Search** ..... D21/736-746,  
D21/759; 473/324-331, 340, 341, 251-256  
See application file for complete search history.

(56) **References Cited**

**U.S. PATENT DOCUMENTS**

- D349,543 S \* 8/1994 MacDougall ..... D21/733
- D360,922 S \* 8/1995 Grace ..... D21/745
- D373,160 S \* 8/1996 Grace ..... D21/745
- D373,162 S \* 8/1996 Meyer et al. .... D21/743

- D420,078 S \* 2/2000 Dawson ..... D21/736
- D474,821 S \* 5/2003 Wells et al. .... D21/743
- D486,872 S \* 2/2004 Schweigert et al. .... D21/738

\* cited by examiner

*Primary Examiner*—Mitchell Siegel

(74) *Attorney, Agent, or Firm*—Buchanan Ingersoll PC

(57) **CLAIM**

The ornamental design for a portion of a putter, as shown and described.

**DESCRIPTION**

FIG. 1 is a top, front perspective view of a portion of a putter showing my new design.

FIG. 2 is a top, rear perspective view thereof.

FIG. 3 is a top plan view thereof.

FIG. 4 is a left side elevational view thereof.

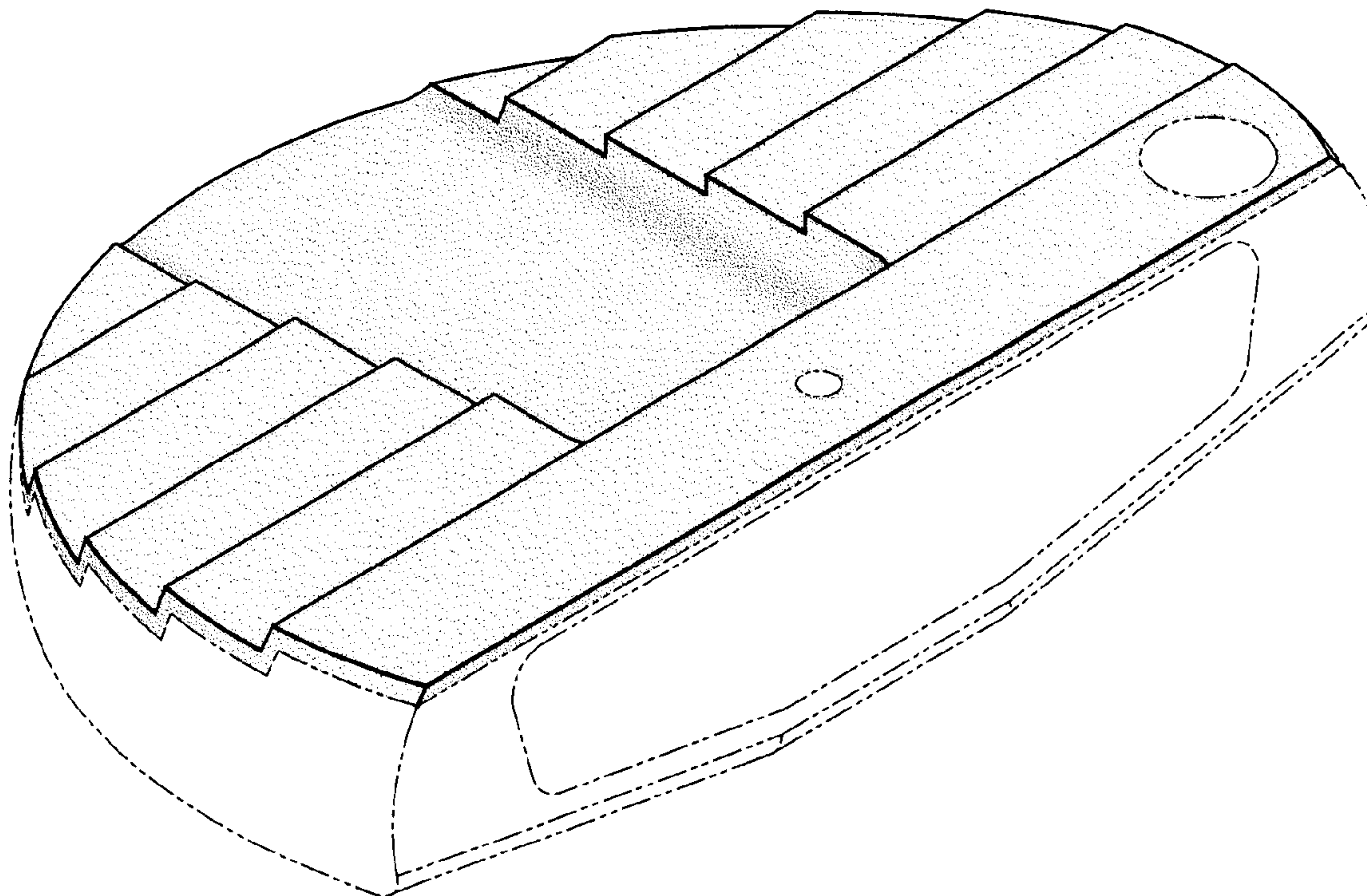
FIG. 5 is a right side elevational view thereof.

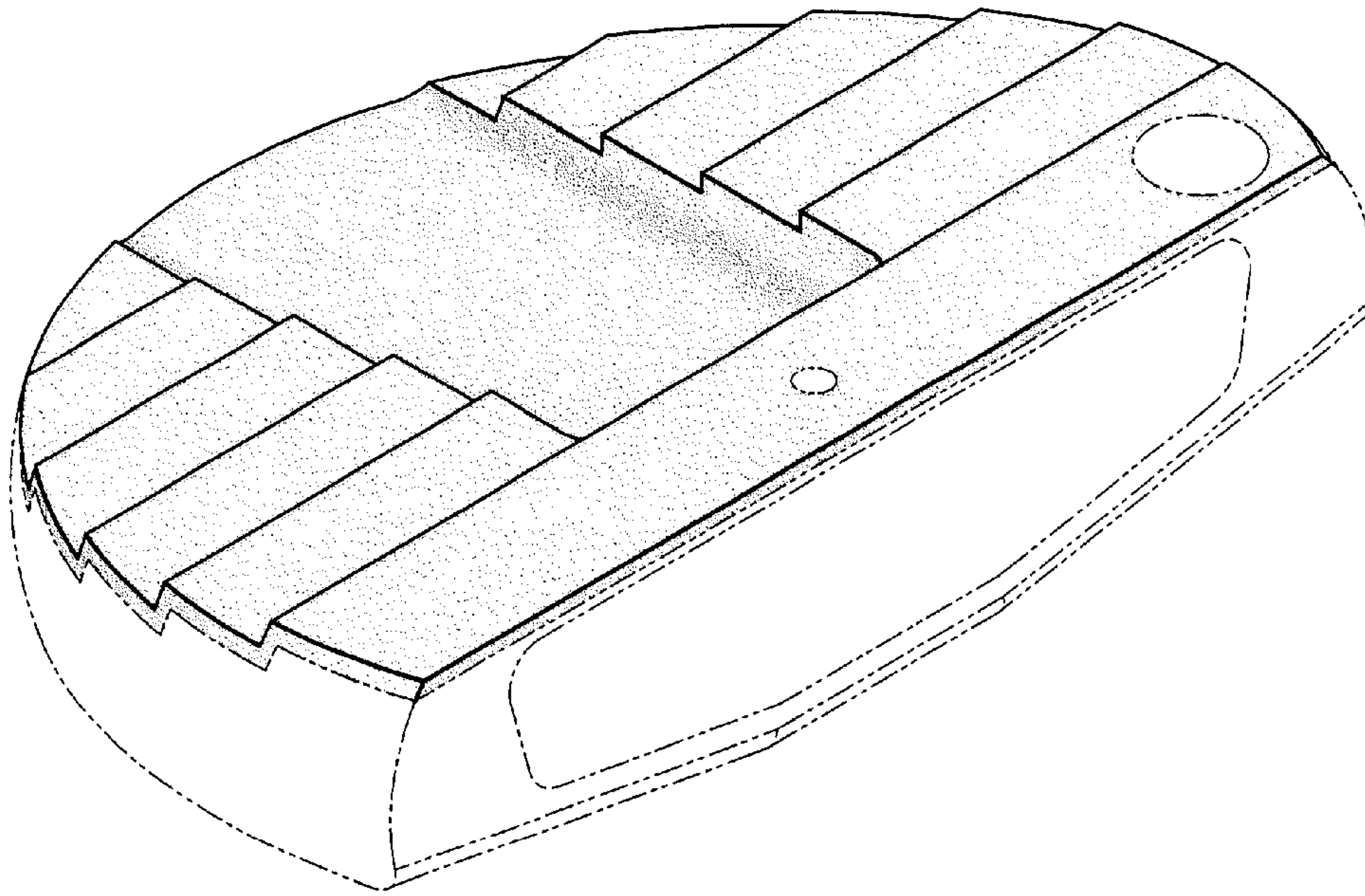
FIG. 6 is a front elevational view thereof; and,

FIG. 7 is a rear elevational view thereof.

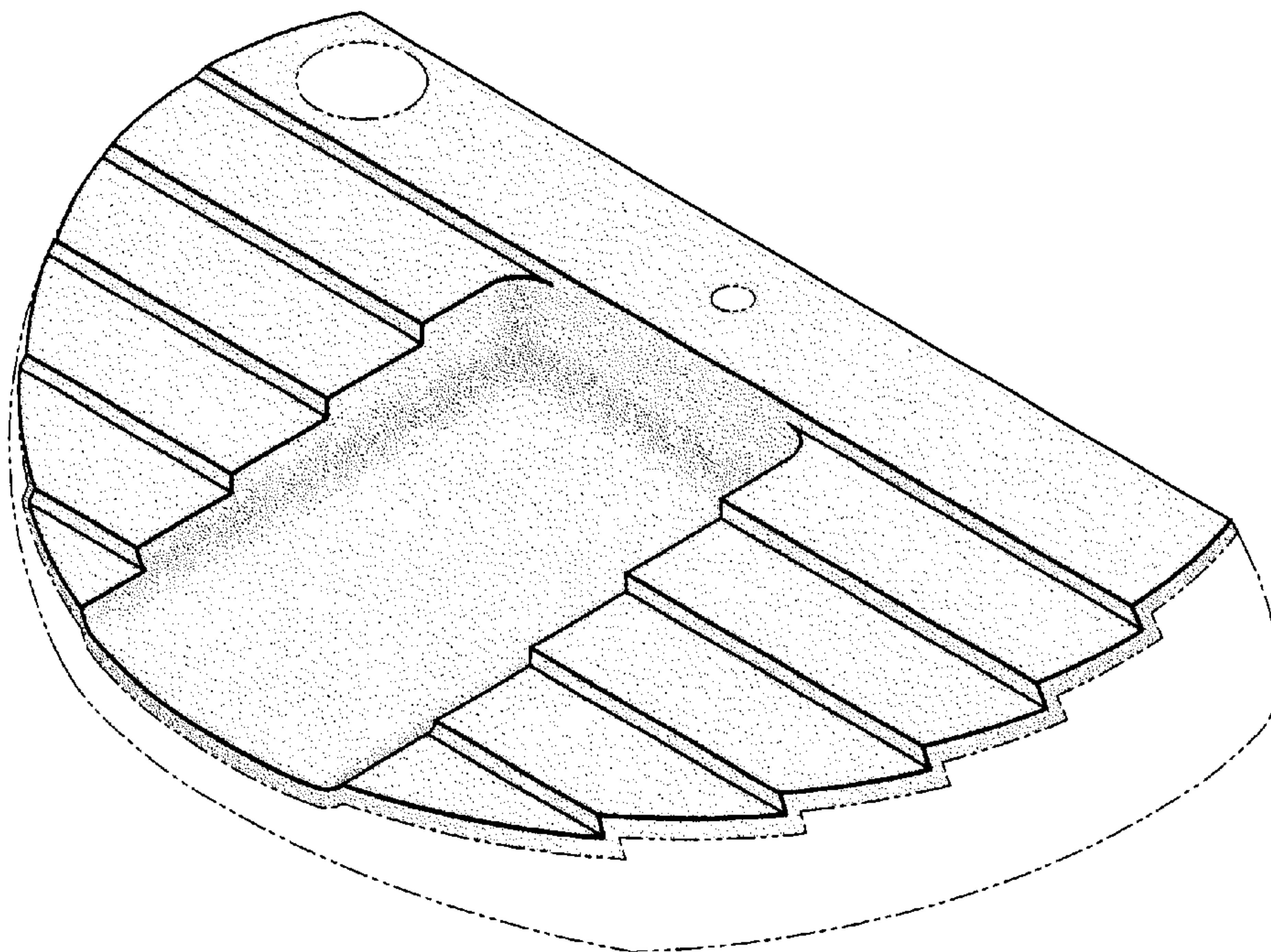
The broken line showing of various portions of the putter is for illustrative purposes only and forms no part of the claimed design.

**1 Claim, 3 Drawing Sheets**



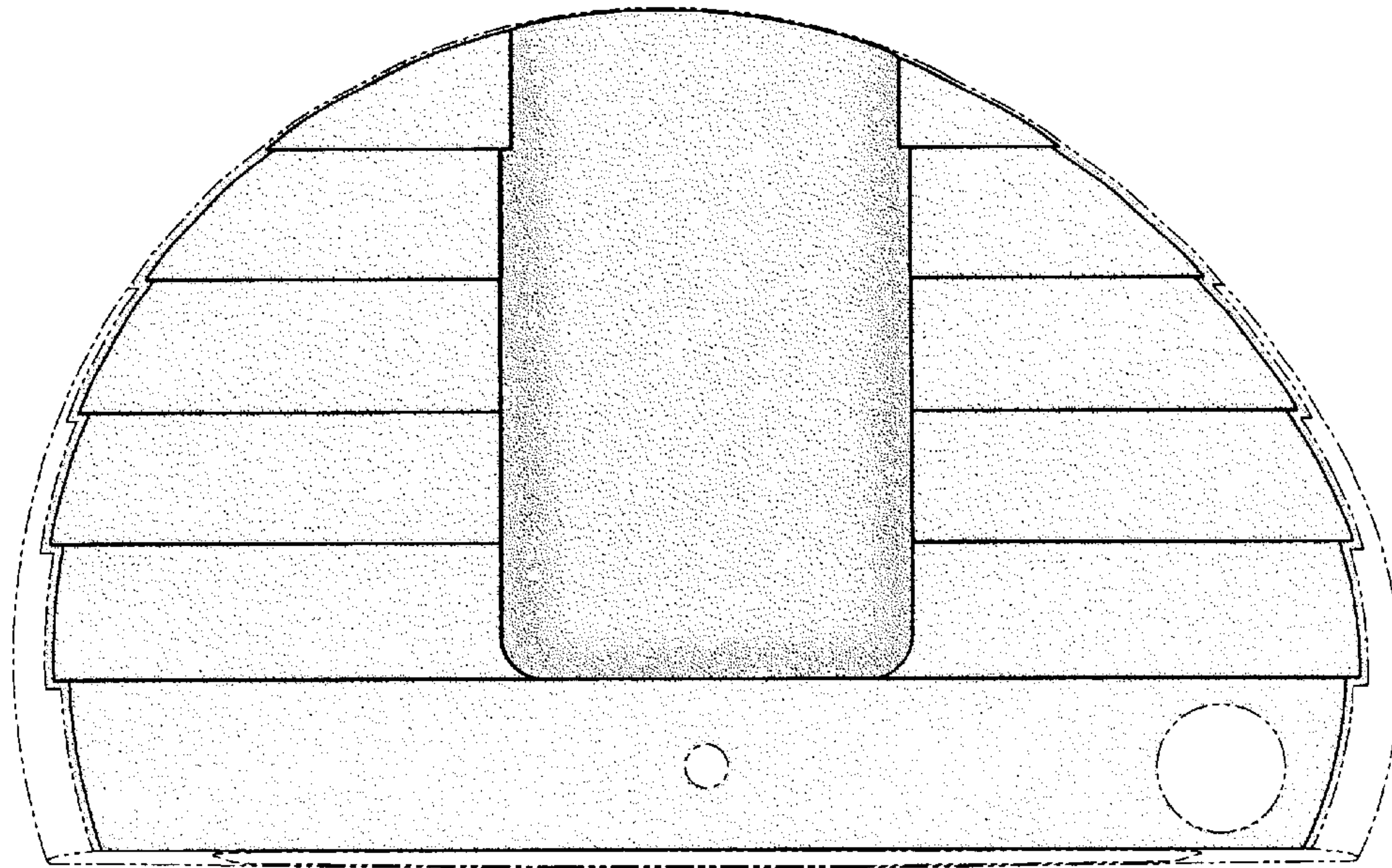


**FIG. 1**

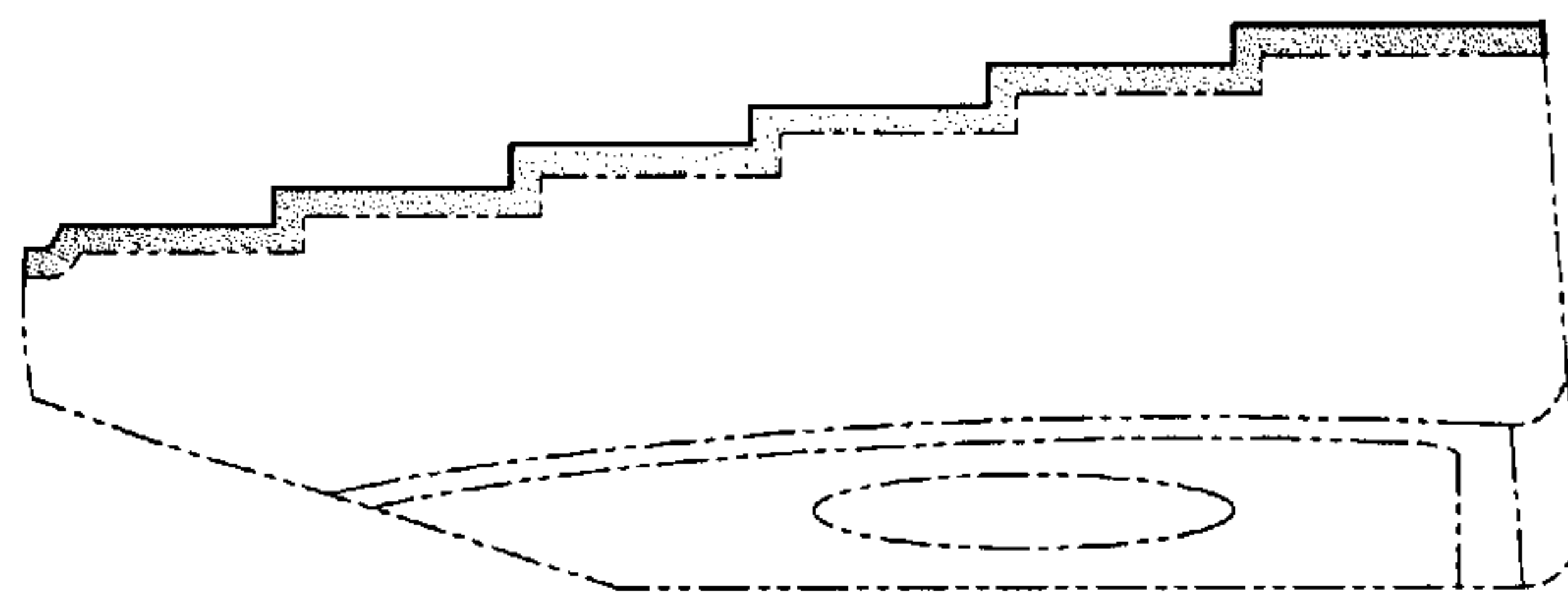


**FIG. 2**





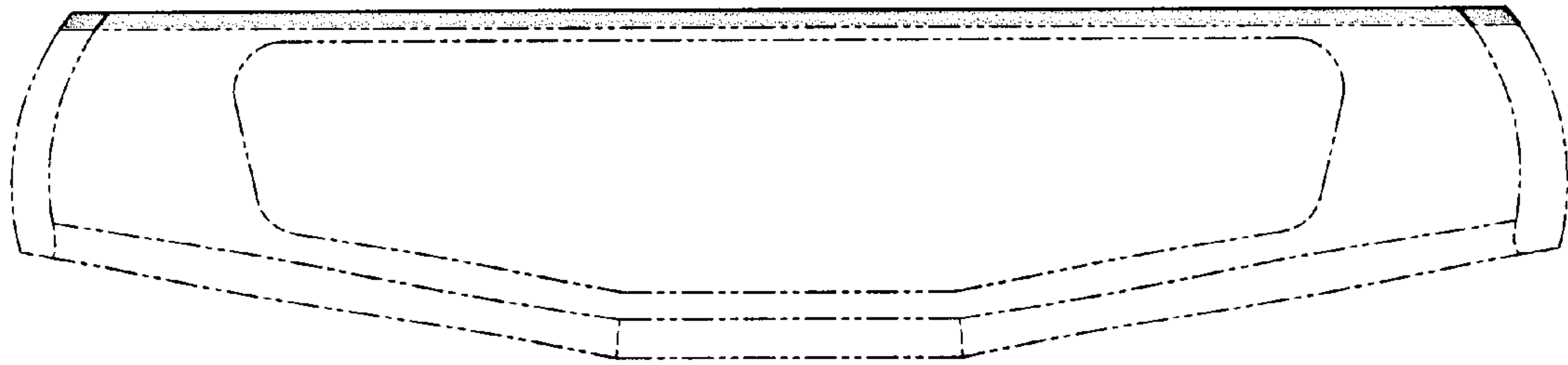
**FIG. 3**



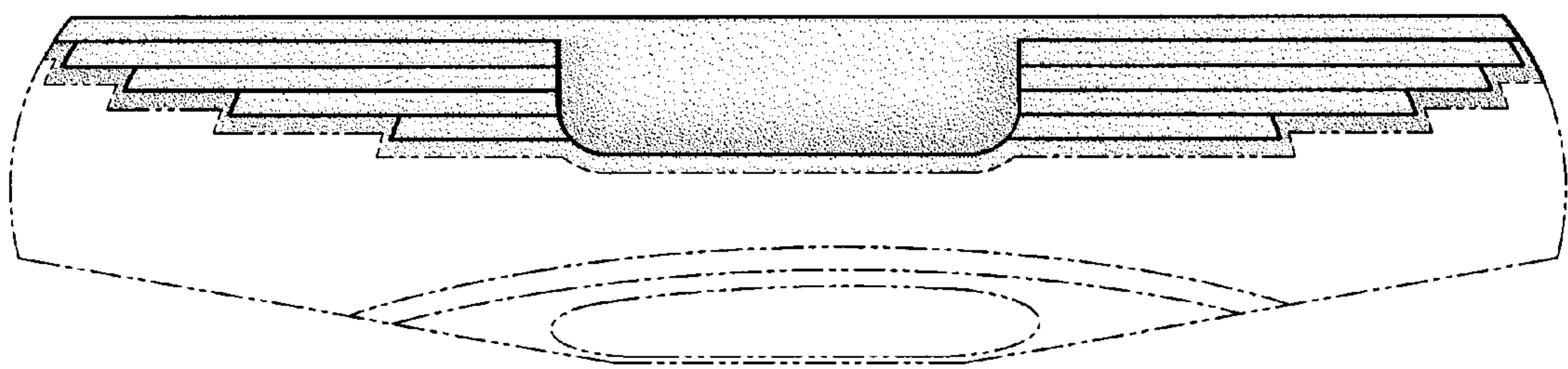
**FIG. 4**



**FIG. 5**



**FIG. 6**



**FIG. 7**