



US00D523106S

(12) **United States Design Patent**  
**Lin et al.**

(10) **Patent No.:** **US D523,106 S**  
(45) **Date of Patent:** **\*\* Jun. 13, 2006**

(54) **CENTRAL PORTION OF A BADMINTON RACQUET**

D498,805 S \* 11/2004 Angell ..... D21/753  
D502,517 S 3/2005 Severa et al. .... D21/729

(75) Inventors: **Mark W. Lin**, Hinsdale, IL (US);  
**Alexander R. O. Selch**, Germering (DE)

\* cited by examiner

*Primary Examiner*—Mitchell Siegel  
(74) *Attorney, Agent, or Firm*—Terrence P. O'Brien

(73) Assignee: **Wilson Sporting Goods Co.**, Chicago, IL (US)

(57) **CLAIM**

We claim the ornamental design for a central portion of a badminton racquet, as shown and described.

(\*\*) Term: **14 Years**

**DESCRIPTION**

(21) Appl. No.: **29/223,372**

FIG. 1 is a front view of a badminton racquet including a central portion of the badminton racquet;

(22) Filed: **Feb. 12, 2005**

FIG. 2 is a front view of the central portion of the badminton racquet of FIG. 1;

(51) **LOC (8) Cl.** ..... **21-02**

(52) **U.S. Cl.** ..... **D21/753; D21/729**

FIG. 3 is a first side view of the central portion of the badminton racquet of FIG. 1;

(58) **Field of Classification Search** ..... D21/729-732;

473/524-526, 531-553

FIG. 4 is a rear view of the central portion of the badminton racquet of FIG. 1;

See application file for complete search history.

FIG. 5 is a second side view of the central portion of the badminton racquet of FIG. 1;

(56) **References Cited**

**U.S. PATENT DOCUMENTS**

1,744,862	A	*	1/1930	Blethen	.....	D21/731	X
D241,560	S		9/1976	Portz			
D245,636	S	*	8/1977	Sawyer	.....	D21/729	
D247,189	S		2/1978	Charpentier			
D253,418	S		11/1979	Cosmos			
D257,483	S		11/1980	Drake			
D257,484	S		11/1980	Drake			
D272,554	S	*	2/1984	Johnson et al.	.....	D21/730	
D330,925	S		11/1992	Janes			
5,467,982	A		11/1995	Tseng			
D469,487	S		1/2003	Severa et al.	.....	D21/729	
D469,488	S		1/2003	Severa et al.	.....	D21/729	

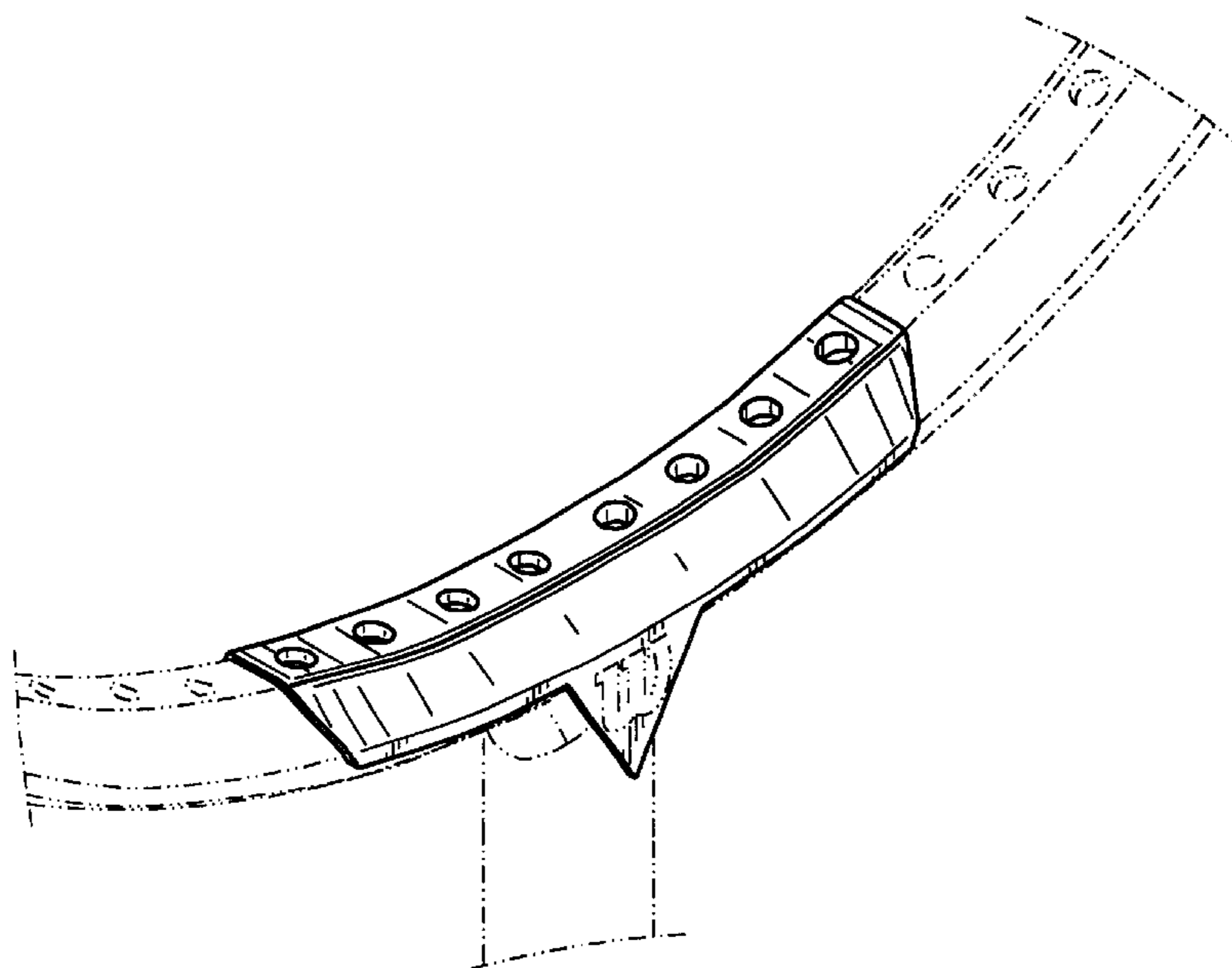
FIG. 6 is a front perspective view of the central portion of the badminton racquet of FIG. 1;

FIG. 7 is a top view of the central portion of the badminton racquet of FIG. 1; and,

FIG. 8 is a rear perspective view of the central portion of the badminton racquet of FIG. 1.

The ornamental design that is claimed is shown in solid lines in the drawings. The broken (dashed) lines shown in FIGS. 1 through 8 are included for the purpose of illustrating environmental elements only and form no part of the claimed design.

**1 Claim, 5 Drawing Sheets**



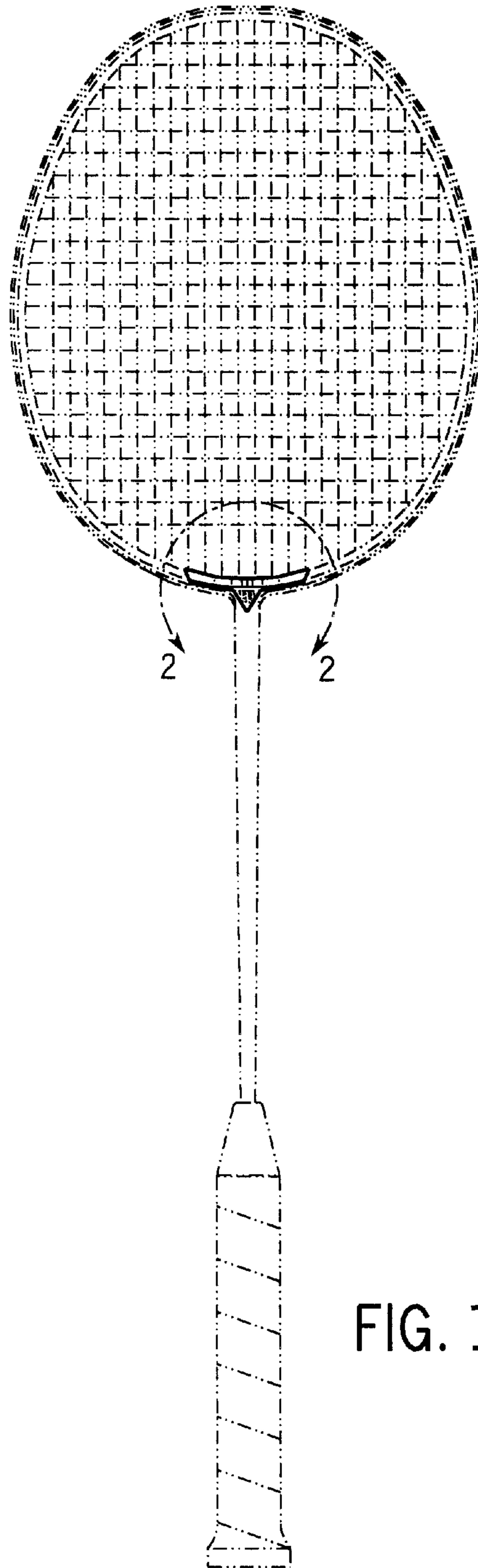


FIG. 1

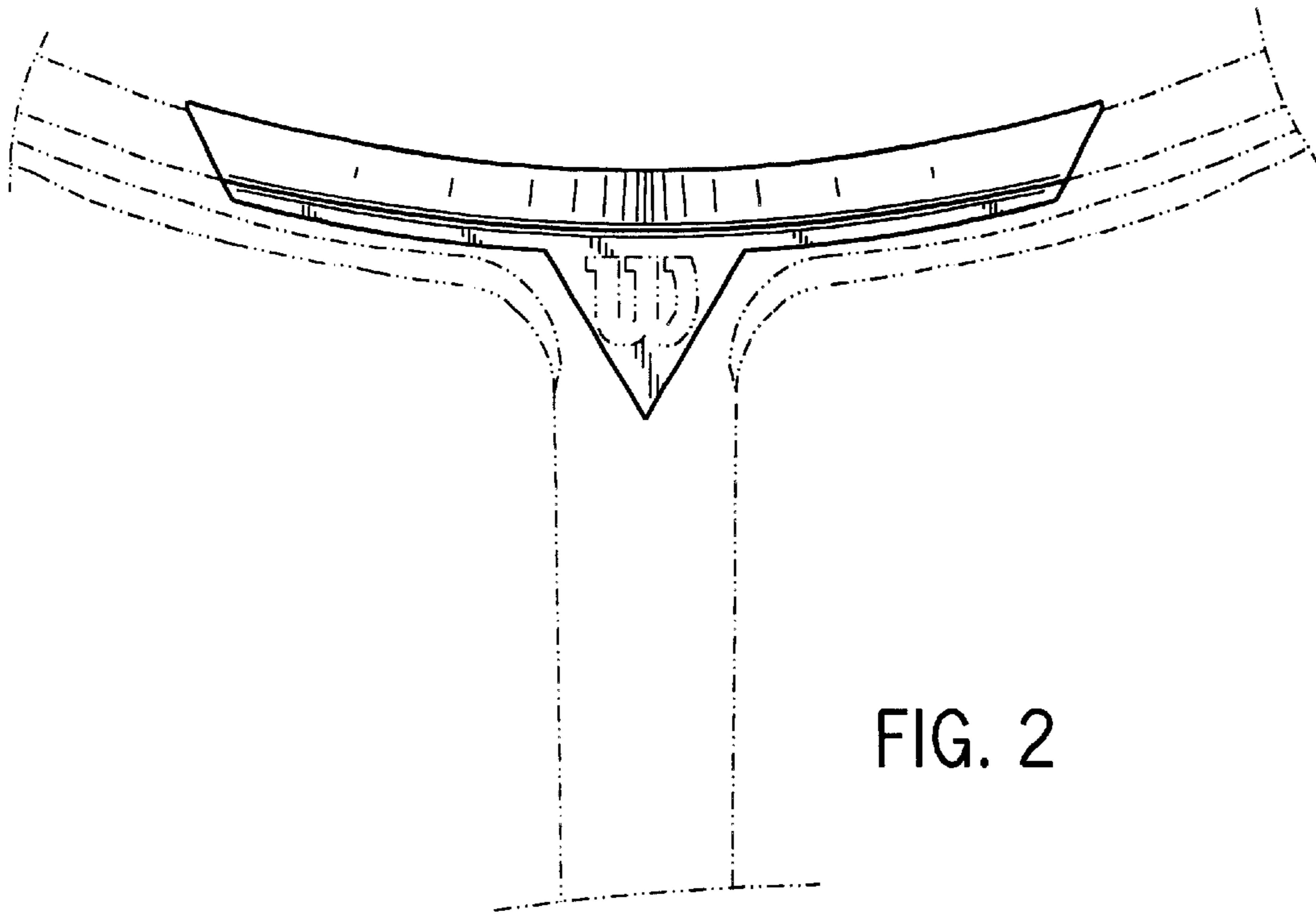


FIG. 2

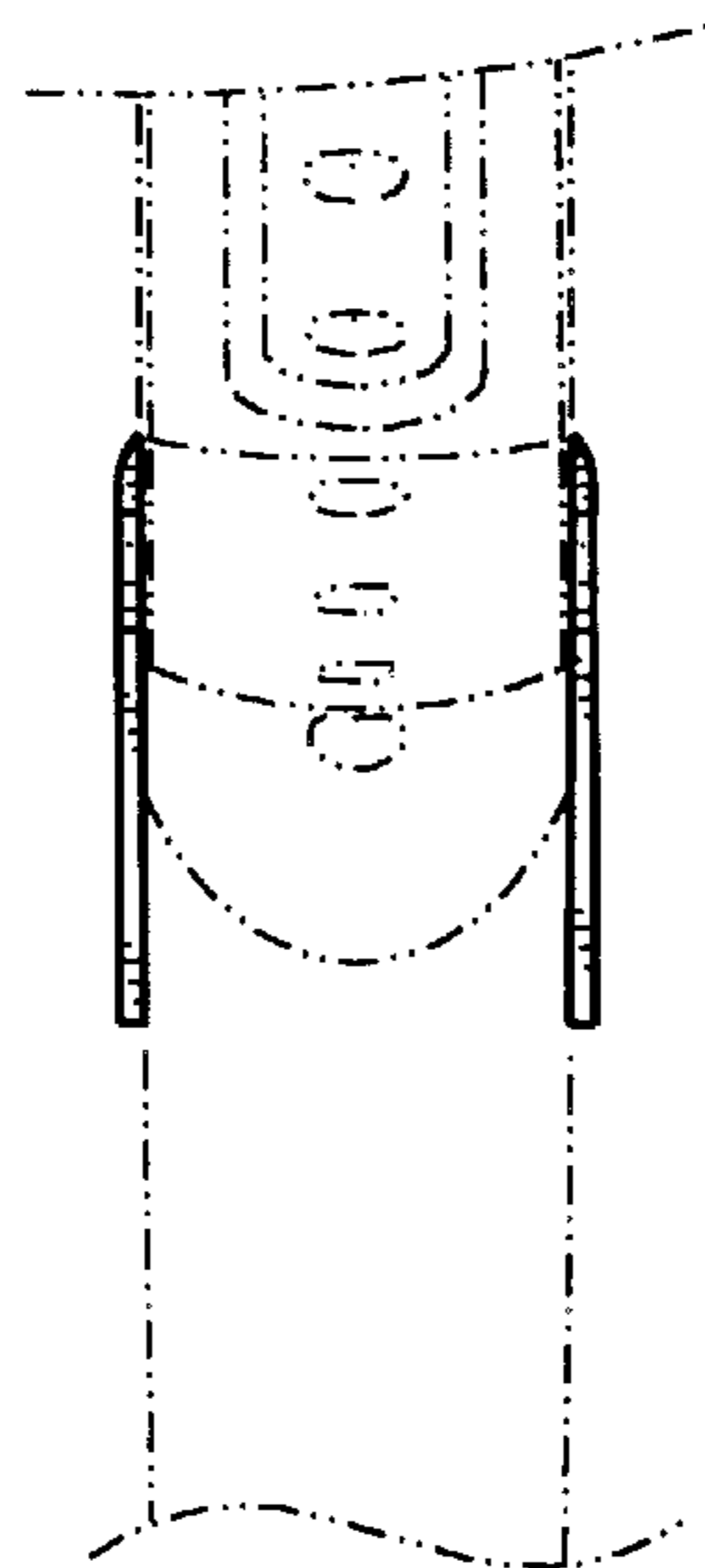


FIG. 3

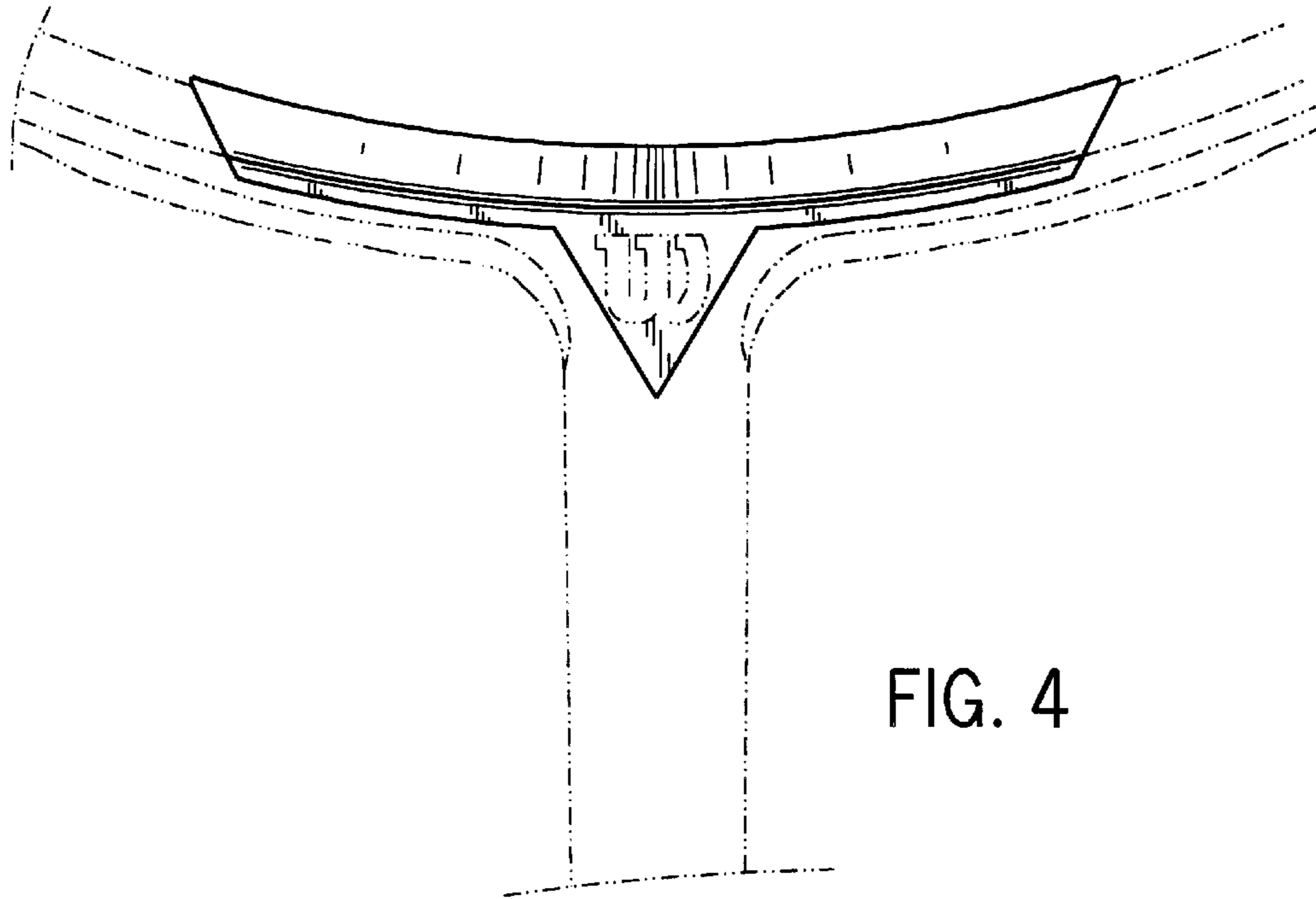


FIG. 4

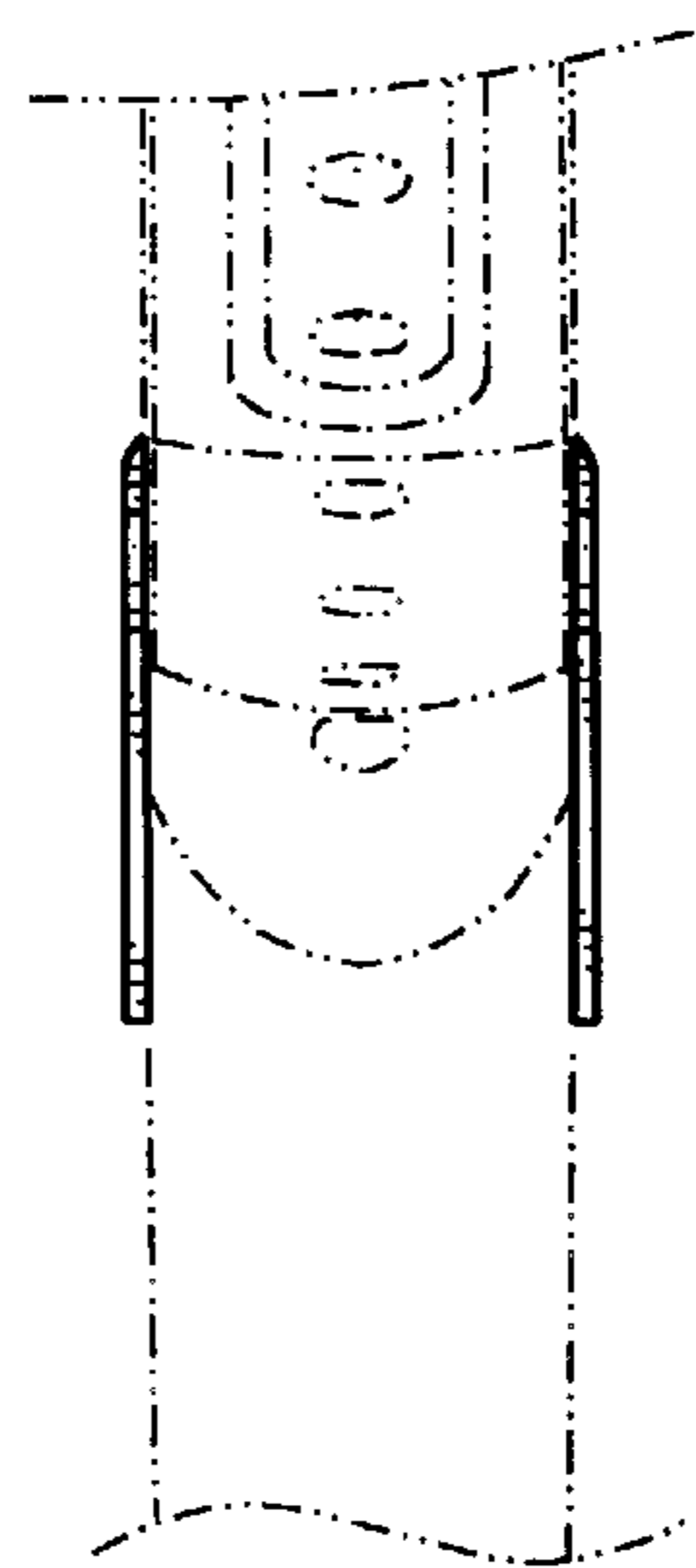


FIG. 5

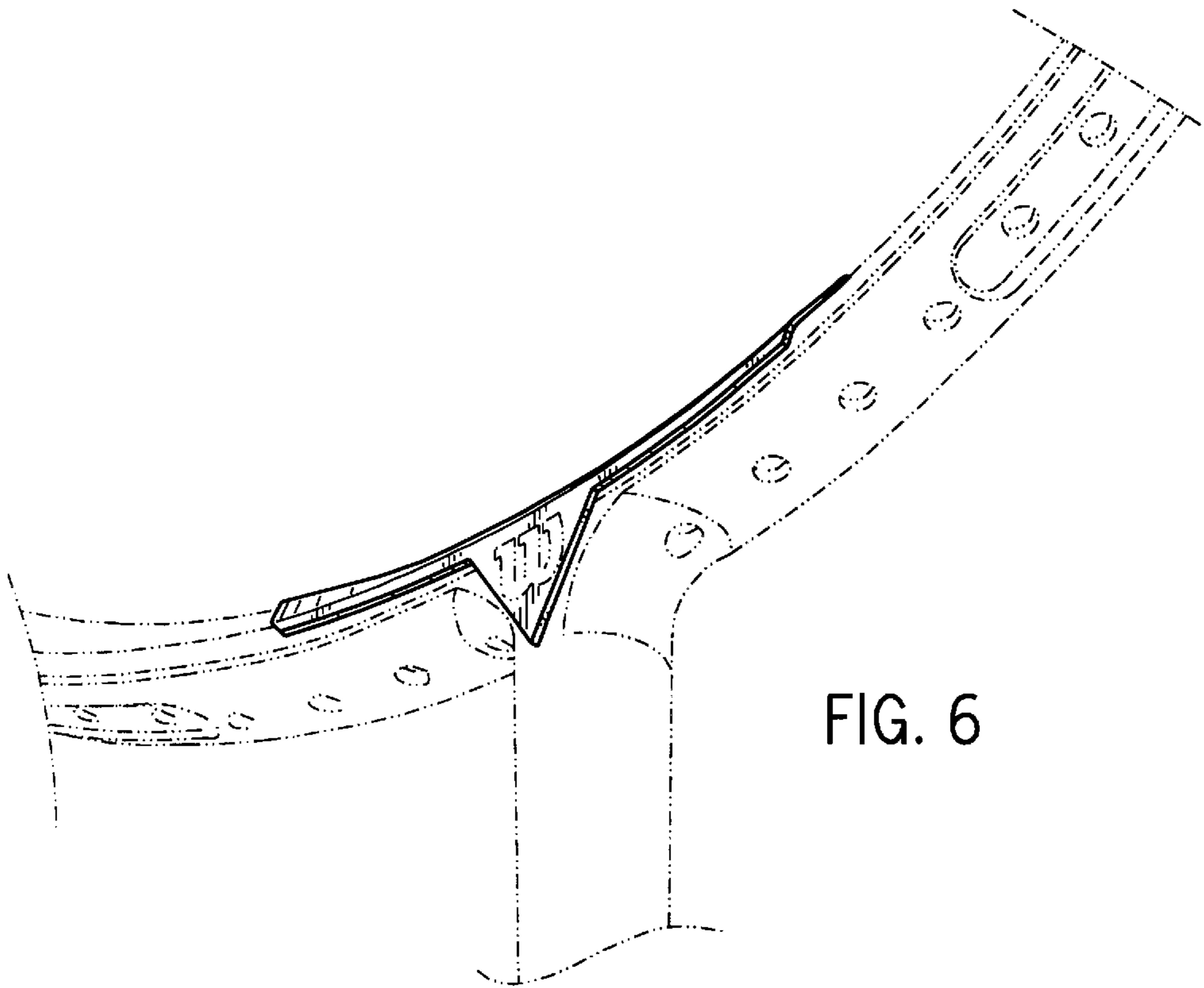


FIG. 6

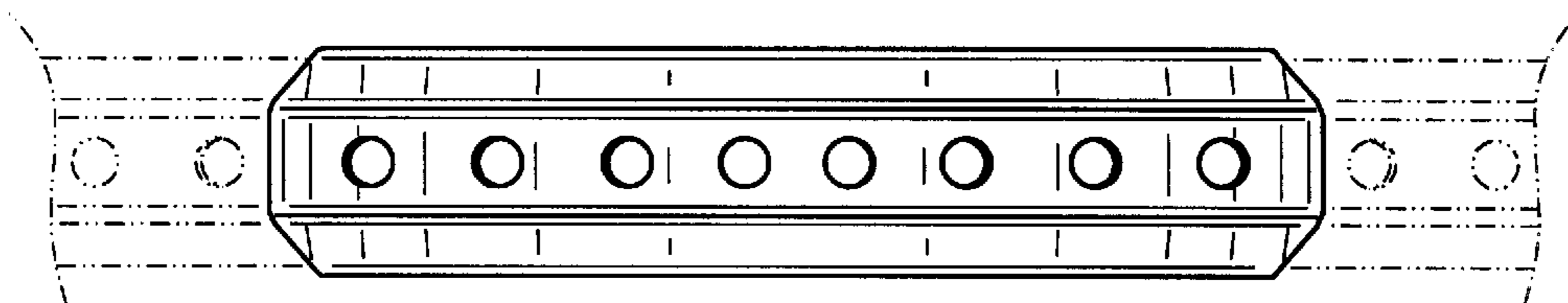


FIG. 7

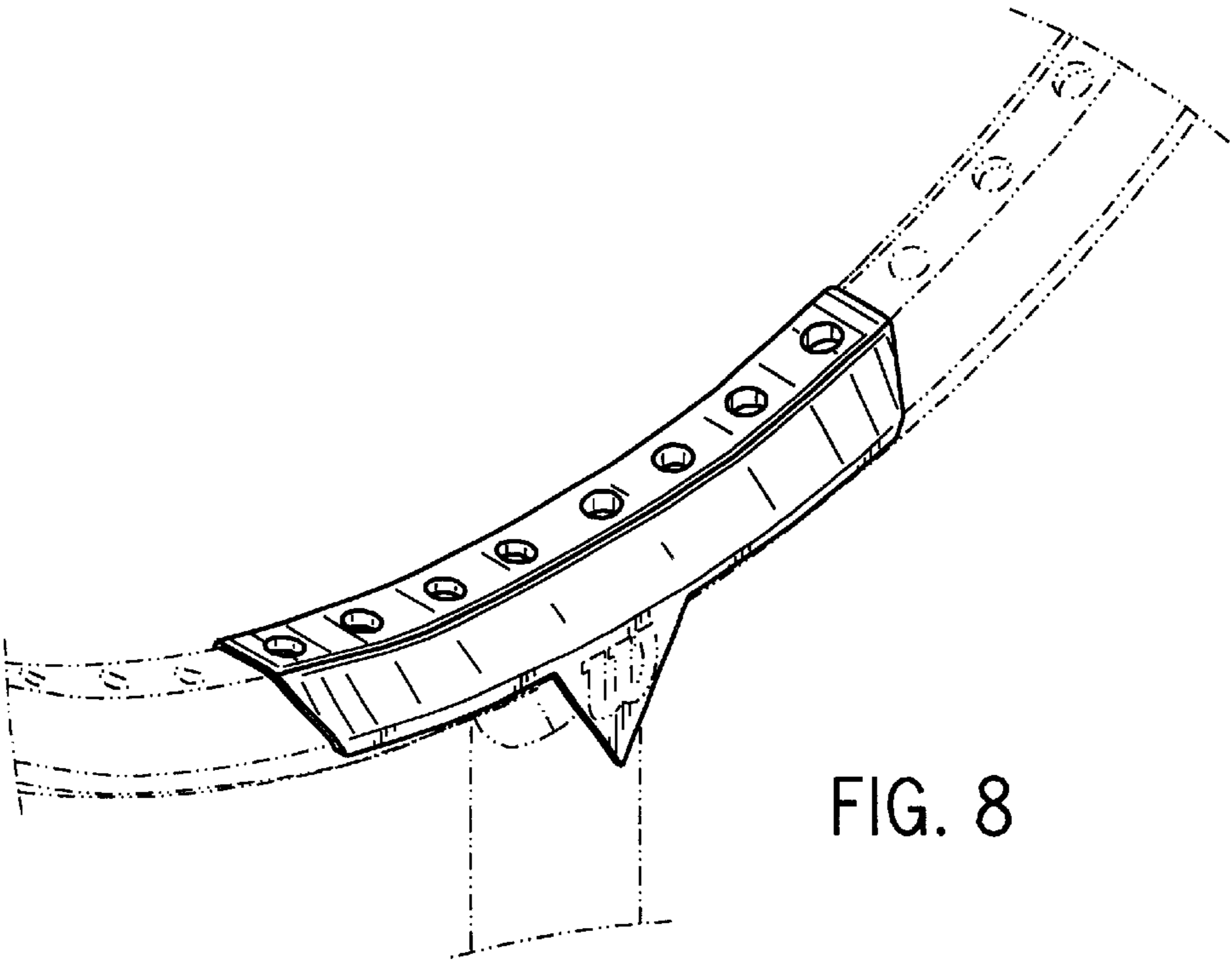


FIG. 8