



US00D523094S

(12) **United States Design Patent**  
**Copeland**

(10) **Patent No.:** **US D523,094 S**

(45) **Date of Patent:** **\*\* Jun. 13, 2006**

(54) **ROCKING TOY TRACTOR**

(76) **Inventor:** **Adele G. Copeland**, 4104 Hill St., Fair Oaks, CA (US) 95628

(\*\*) **Term:** **14 Years**

(21) **Appl. No.:** **29/232,284**

(22) **Filed:** **Jun. 15, 2005**

(51) **LOC (8) Cl.** ..... **21-01**

(52) **U.S. Cl.** ..... **D21/414**

(58) **Field of Classification Search** ..... D21/412-435, D21/533, 537, 552; D6/344-348, 351, 358, D6/359; 472/92-105; 297/181, 271.5, 271.6, 297/258.1, DIG. 7; 446/29, 322, 325, 396  
See application file for complete search history.

(56) **References Cited**

**U.S. PATENT DOCUMENTS**

D44,345 S	*	7/1913	Newton	.....	D21/414
D50,475 S	*	3/1917	Kehl	.....	D21/433
D55,433 S	*	6/1920	Peoples	.....	D21/433
D60,250 S	*	1/1922	Lo Verdes et al.	.....	D12/108
1,412,723 A	*	4/1922	Toal	.....	472/135

D72,874 S	*	6/1927	Sunbeck	.....	D21/414
D142,046 S	*	8/1945	Timmerman	.....	D21/414
D142,512 S	*	10/1945	Cronk	.....	D21/414
D161,111 S	*	12/1950	Kregger	.....	D6/345
D170,358 S	*	9/1953	Hiller, Jr.	.....	D15/23
D310,852 S	*	9/1990	Freiberger et al.	.....	D21/415

\* cited by examiner

*Primary Examiner*—Catherine Tuttle

(74) *Attorney, Agent, or Firm*—Heisler & Associates

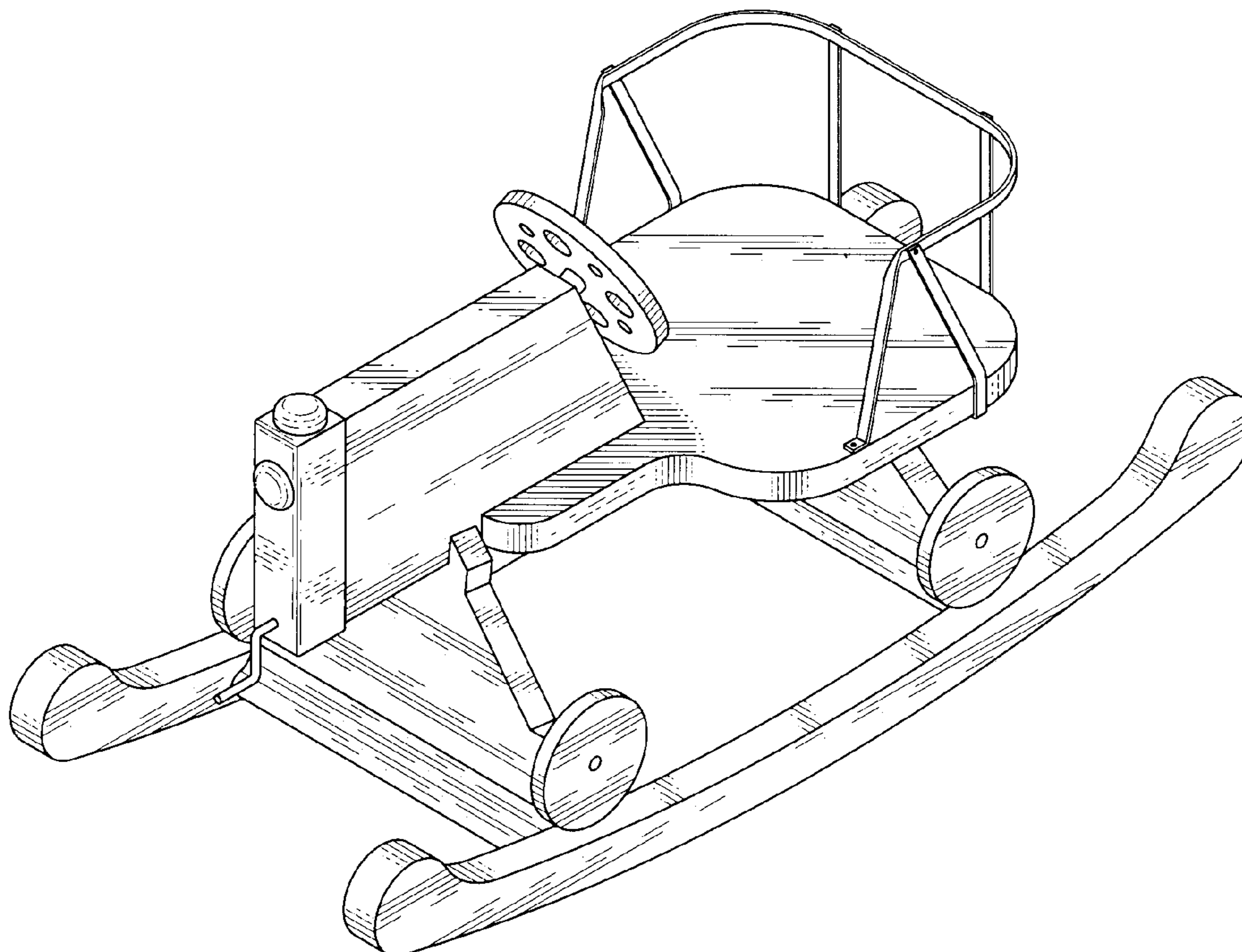
(57) **CLAIM**

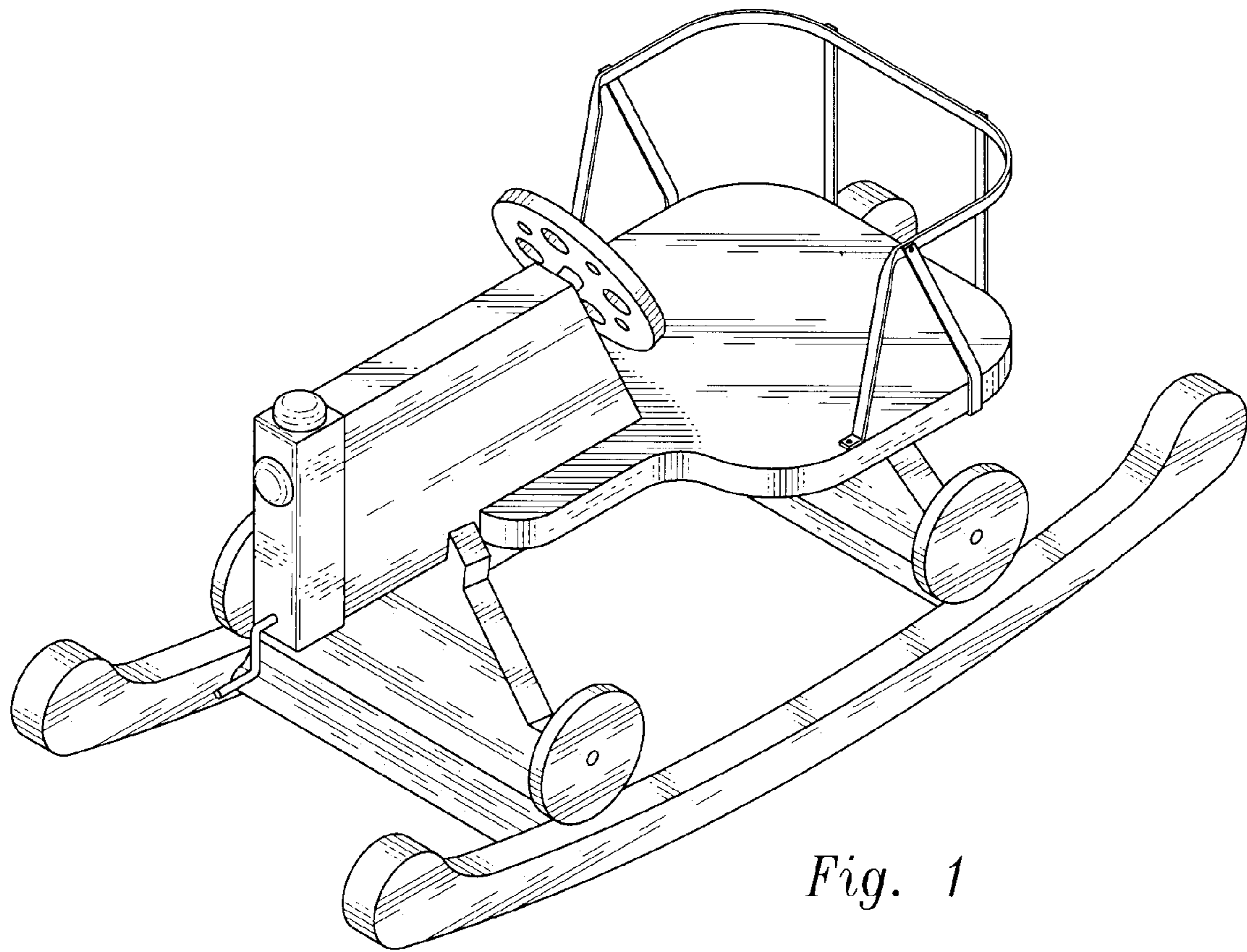
The ornamental design for a rocking toy tractor, as shown and deccribed.

**DESCRIPTION**

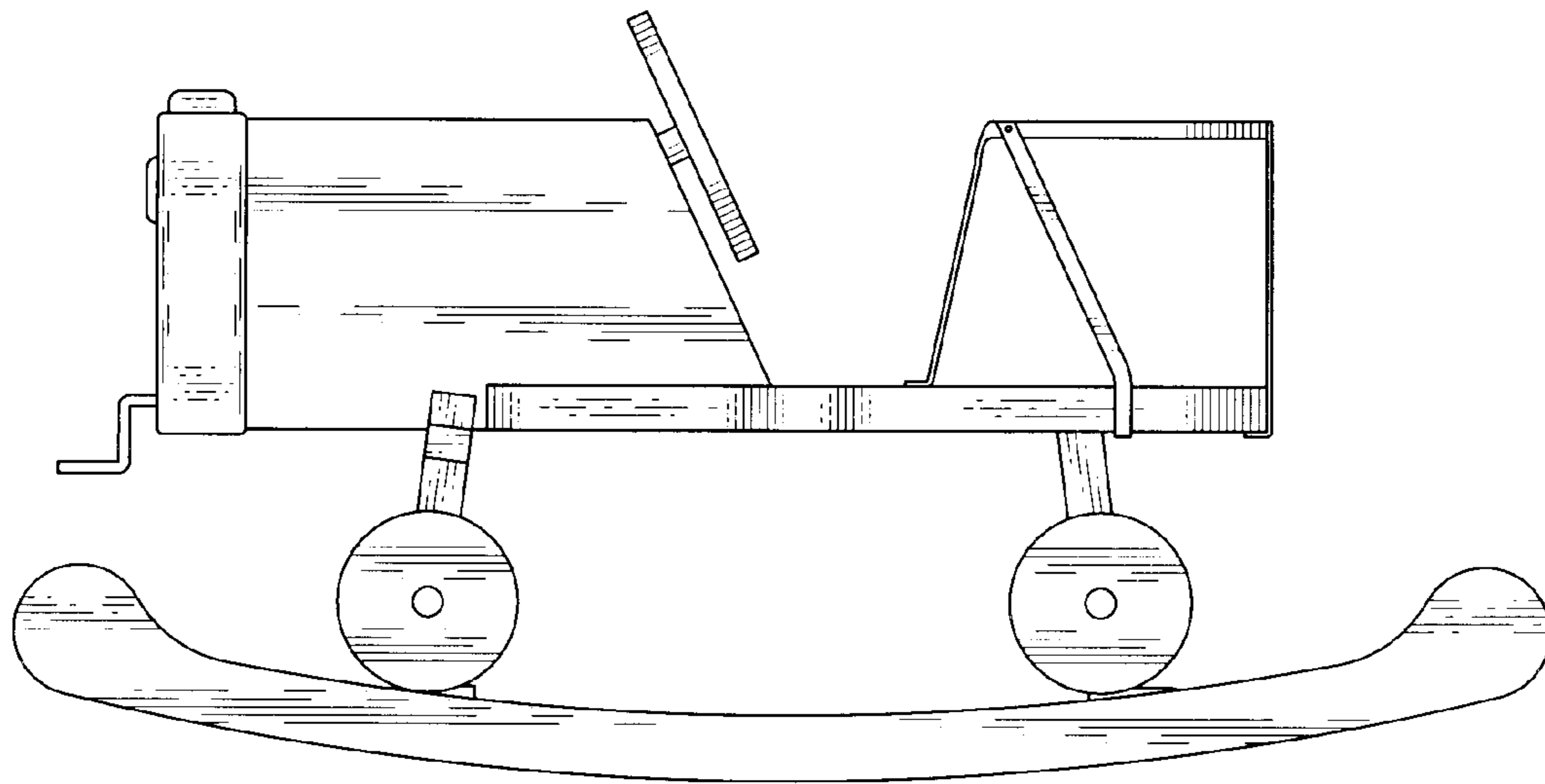
FIG. 1 is a perspective view of a rocking toy tractor; FIG. 2 is a right side view of the invention, the left side view being a mirror image; FIG. 3 is a top plan view of the invention; FIG. 4 is a bottom plan view of the invention; FIG. 5 is a front elevation view of the invention; and, FIG. 6 is a rear elevation view of the invention.

**1 Claim, 2 Drawing Sheets**

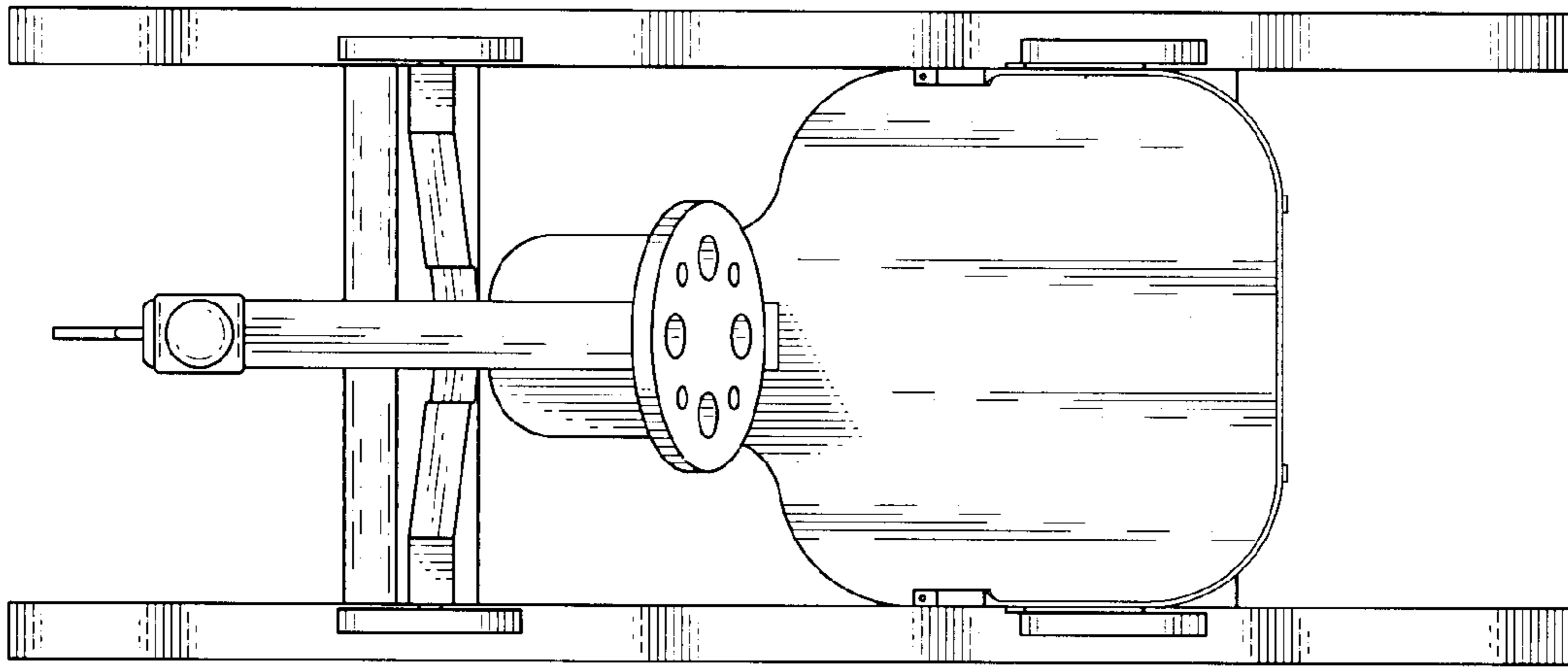




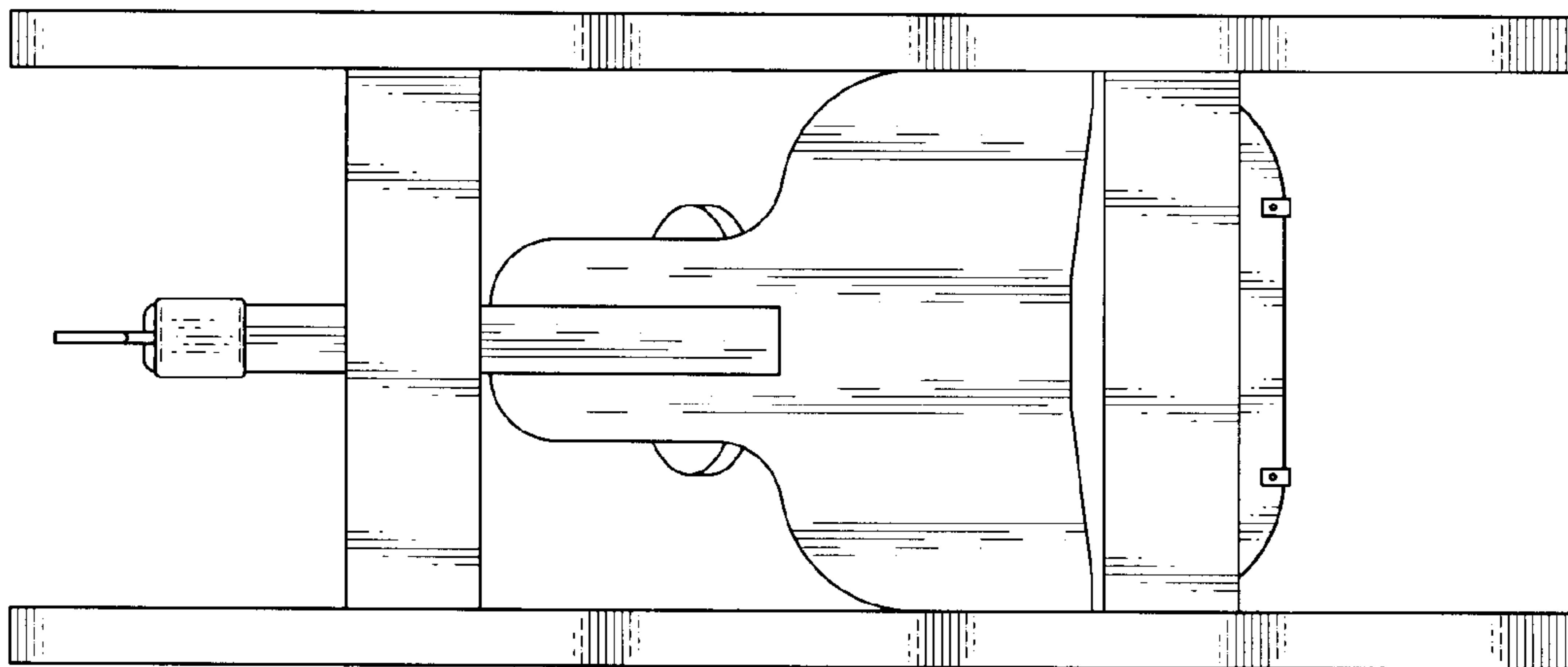
*Fig. 1*



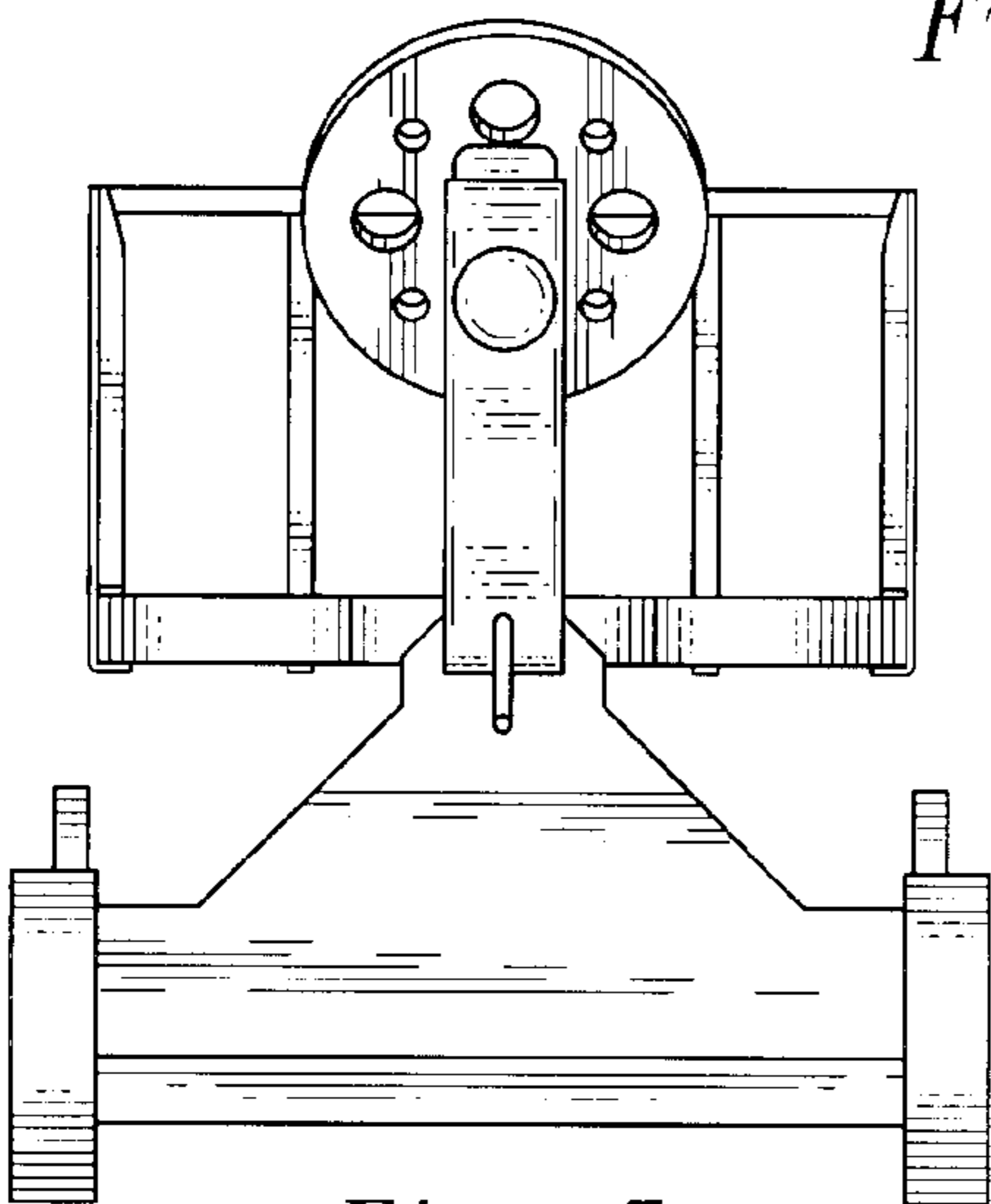
*Fig. 2*



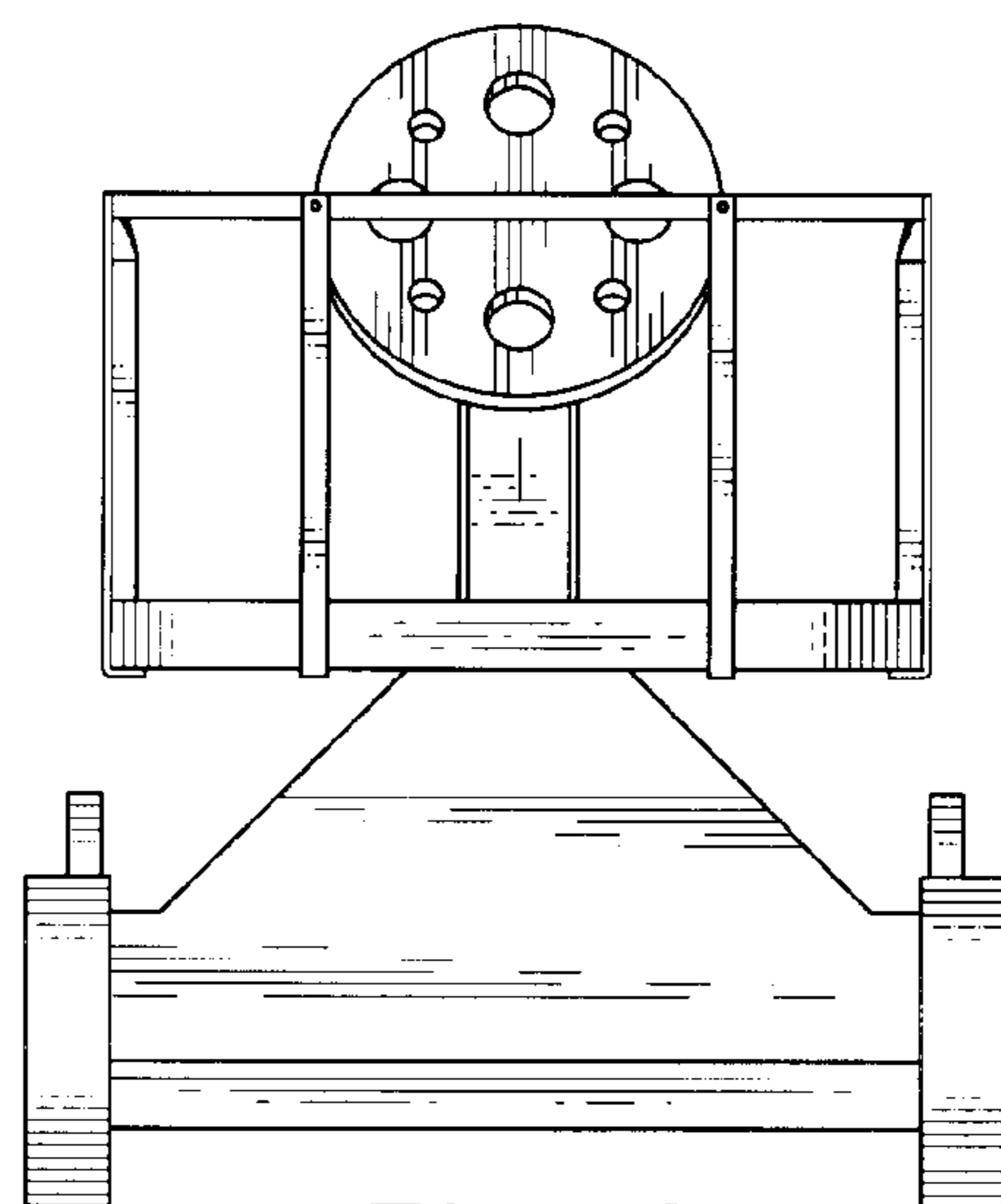
*Fig. 3*



*Fig. 4*



*Fig. 5*



*Fig. 6*