

US00D523090S

(12) **United States Design Patent**  
**Trigg et al.**

(10) **Patent No.:** **US D523,090 S**  
(45) **Date of Patent:** **\*\* Jun. 13, 2006**

(54) **ADHESIVE PRINTABLE SKIN FOR A PORTABLE ELECTRONIC DEVICE**

(75) Inventors: **Larry E. Trigg**, Santa Clara, CA (US);  
**Sam Lucente**, San Francisco, CA (US);  
**Allison Johnson**, Menlo Park, CA (US);  
**Mohammad M Samii**, La Jolla, CA (US)

(73) Assignee: **Hewlett-Packard Development Company, L.P.**, Houston, TX (US)

(\*\*) Term: **14 Years**

(21) Appl. No.: **29/212,233**

(22) Filed: **Aug. 26, 2004**

(51) **LOC (8) Cl.** ..... **19-08**

(52) **U.S. Cl.** ..... **D20/27**

(58) **Field of Classification Search** ..... D20/10,  
D20/11, 22, 25, 26, 27, 28, 29, 32, 33, 42,  
D20/99; D14/217; 40/299.01, 306, 336, 591,  
40/643, 910, 911, 912

See application file for complete search history.

(56) **References Cited**

**U.S. PATENT DOCUMENTS**

|            |   |         |                  |       |         |
|------------|---|---------|------------------|-------|---------|
| D32,461 S  | * | 4/1900  | Kayser           | ..... | D2/861  |
| D356,521 S | * | 3/1995  | Grube et al.     | ..... | D11/121 |
| D377,688 S | * | 1/1997  | Dunshee et al.   | ..... | D24/189 |
| D378,603 S | * | 3/1997  | Chapman et al.   | ..... | D20/22  |
| D378,767 S | * | 4/1997  | Chapman et al.   | ..... | D20/22  |
| D382,911 S | * | 8/1997  | Magner et al.    | ..... | D20/22  |
| D438,572 S | * | 3/2001  | Schelling et al. | ..... | D20/22  |
| D440,258 S | * | 4/2001  | Schelling et al. | ..... | D20/22  |
| D449,992 S | * | 11/2001 | Blackburn        | ..... | D9/457  |
| D466,915 S | * | 12/2002 | Schelling et al. | ..... | D16/219 |

**OTHER PUBLICATIONS**

PowerDesign USA Website (www.powerdesignusa.com/products/ipod/real.php), pp. 1–3, Copyright 2001–2004.

PowerDesign USA Website (www.powerdesignusa.com/products/ipod/selfdesign.php), pp. 1–2, Copyright 2001–2004.

PowerDesign USA Website (www.powerdesignusa.com/products/ipod/bodydesign.php), pp. 1–2, Copyright 2001–2004.

\* cited by examiner

*Primary Examiner*—Robert M. Spear

(57) **CLAIM**

What is claimed is the ornamental design for an adhesive printable skin for a portable electronic device, as shown and described.

**DESCRIPTION**

FIG. 1 is an elevated, perspective view of the adhesive printable skin for a portable electronic device, which includes a pre-cut or scored printable layer, an adhesive layer, and a pre-cut or scored backing layer in accordance with the present invention;

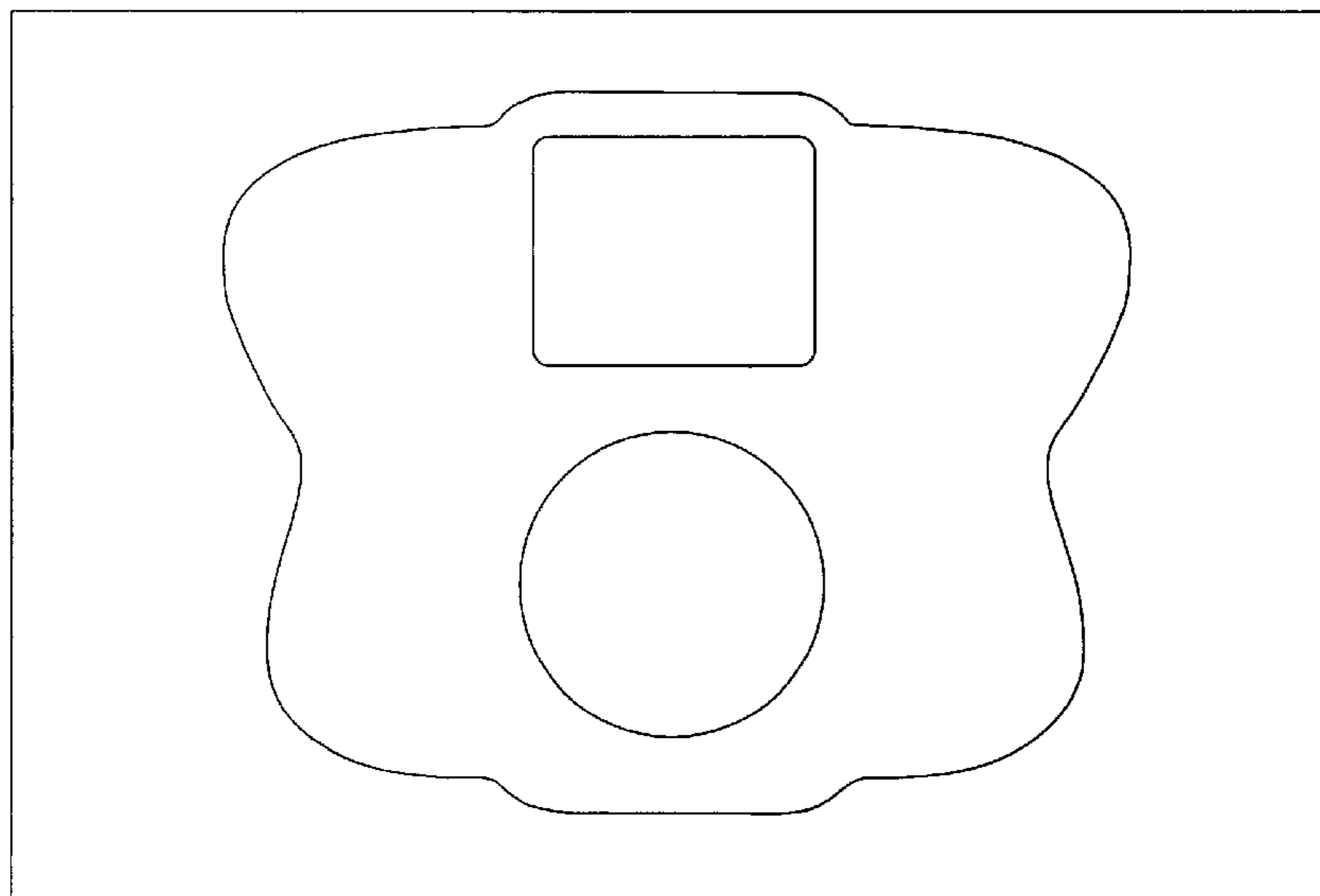
FIG. 2 is a top plan view of the embodiment shown in FIG. 1, further depicting the pre-cut or scored printable layer;

FIG. 3 is a bottom plan view of the embodiment shown in FIG. 1, further depicting the pre-cut or scored backing layer;

FIG. 4 is a lower edge view of the embodiment shown in FIG. 1, an opposing upper edge view being the mirror image thereof; and,

FIG. 5 is a side edge view, taken from the left side of FIG. 1, an opposing side edge being the mirror image thereof.

**1 Claim, 2 Drawing Sheets**



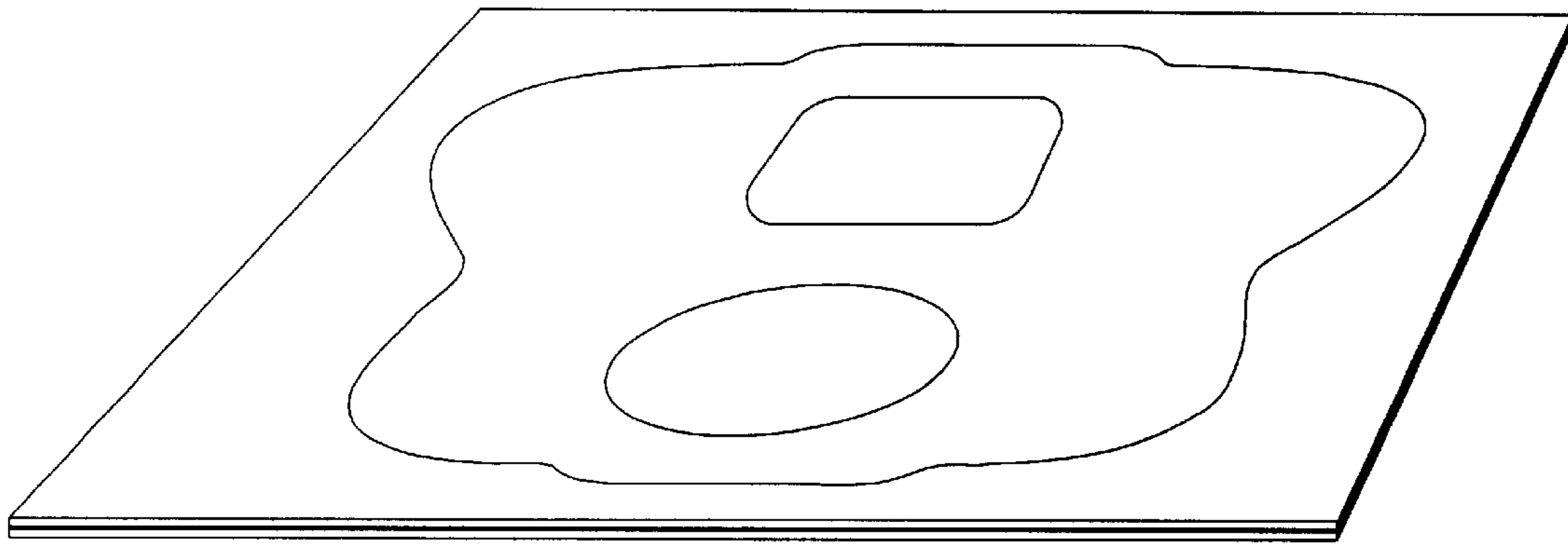


FIG. 1

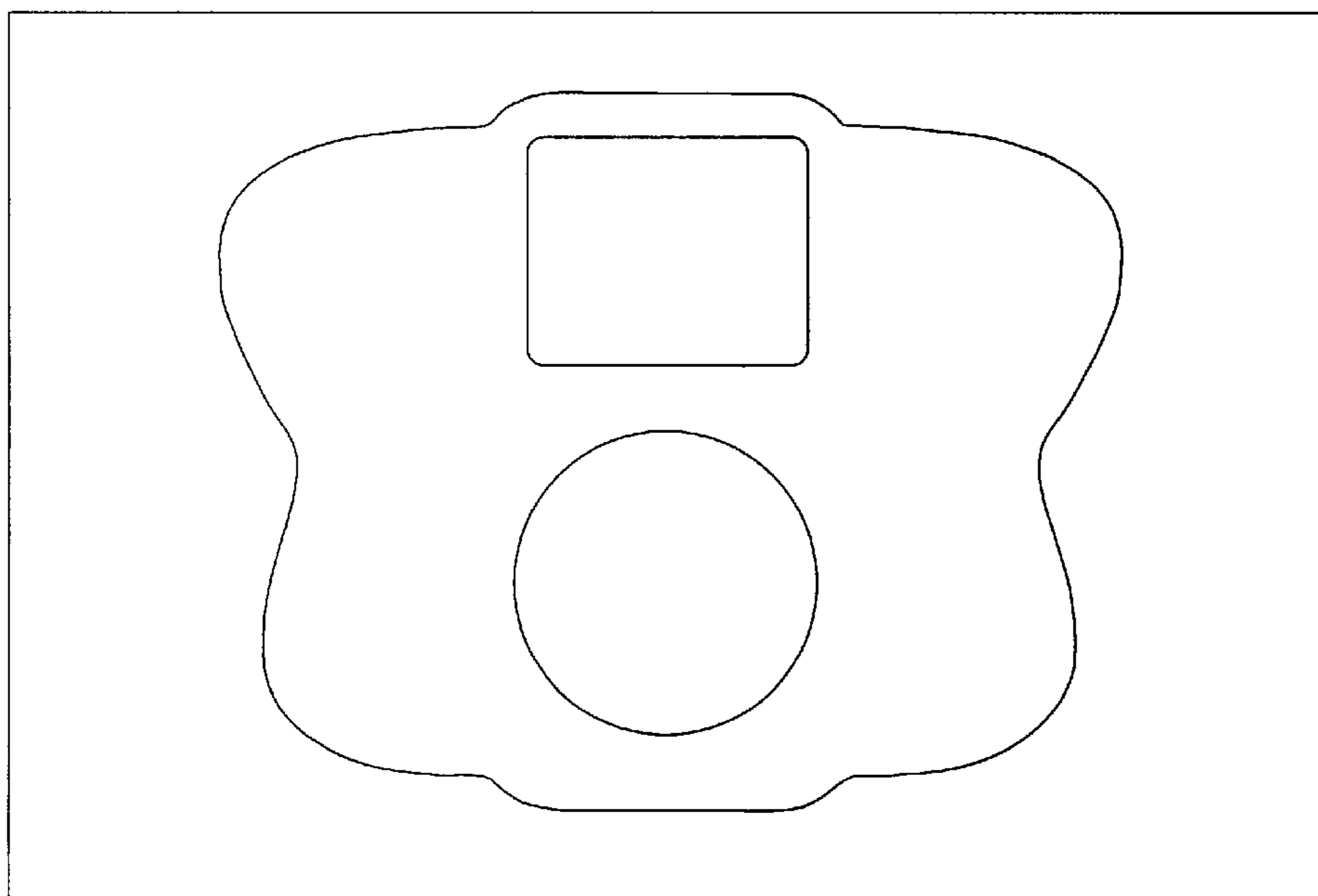


FIG. 2

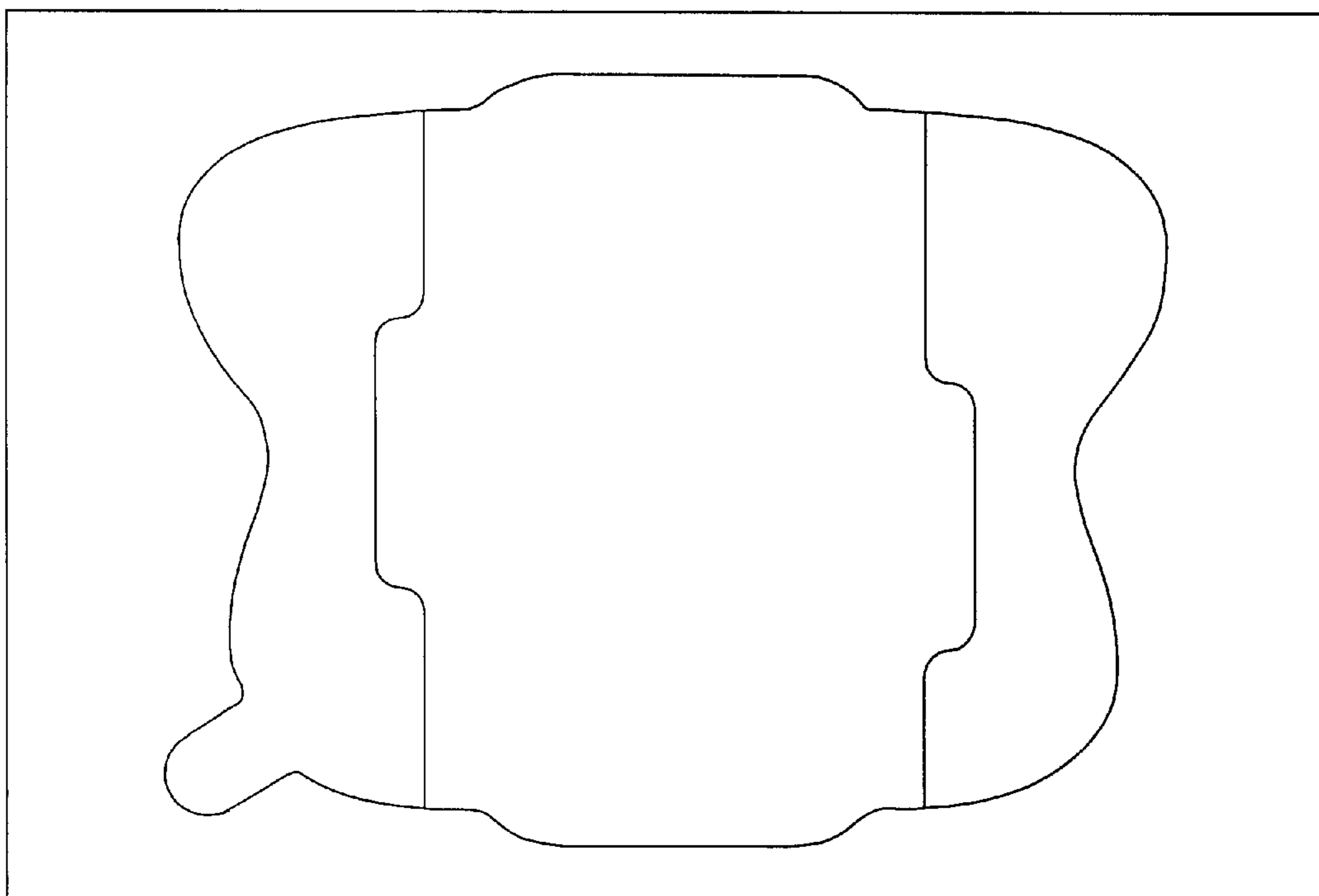


FIG. 3



FIG. 4



FIG. 5