



US00D523089S

(12) **United States Design Patent**
Kristensen

(10) **Patent No.:** **US D523,089 S**
(45) **Date of Patent:** **** Jun. 13, 2006**

(54) **TAG FOR HUMANS, ANIMALS OR OBJECTS**

(75) Inventor: **Ivan Kristensen**, Frederiksberg (DK)

(73) Assignee: **Jorgen Kruuse A/S**, Marslev (DK)

(**) Term: **14 Years**

(21) Appl. No.: **29/231,578**

(22) Filed: **Jun. 7, 2005**

(30) **Foreign Application Priority Data**

Dec. 21, 2004 (EM) 000276084

(51) **LOC (8) Cl.** **19-08**

(52) **U.S. Cl.** **D20/22**

(58) **Field of Classification Search** D20/10,
D20/22, 27, 28; D3/207, 208; D11/79; D24/125;
D30/155; 40/301, 330, 625, 633, 634; 119/655;
362/812

See application file for complete search history.

(56) **References Cited**

U.S. PATENT DOCUMENTS

D160,231 S * 9/1950 Ward D99/34

2,716,483 A * 8/1955 Nauman 206/0.81
D258,850 S * 4/1981 Brentini D3/207
D322,816 S * 12/1991 Immerman D20/28
D338,102 S * 8/1993 McGuire et al. D3/207
D374,976 S * 10/1996 MacDonald D3/207
D378,631 S * 4/1997 Parker D3/208
D446,820 S * 8/2001 Chan D20/28
D487,483 S * 3/2004 Chen D20/19
D491,314 S * 6/2004 Cousins D28/77

* cited by examiner

Primary Examiner—Robert M. Spear

(74) *Attorney, Agent, or Firm*—Alik K. Collins; AKC Patents, LLC

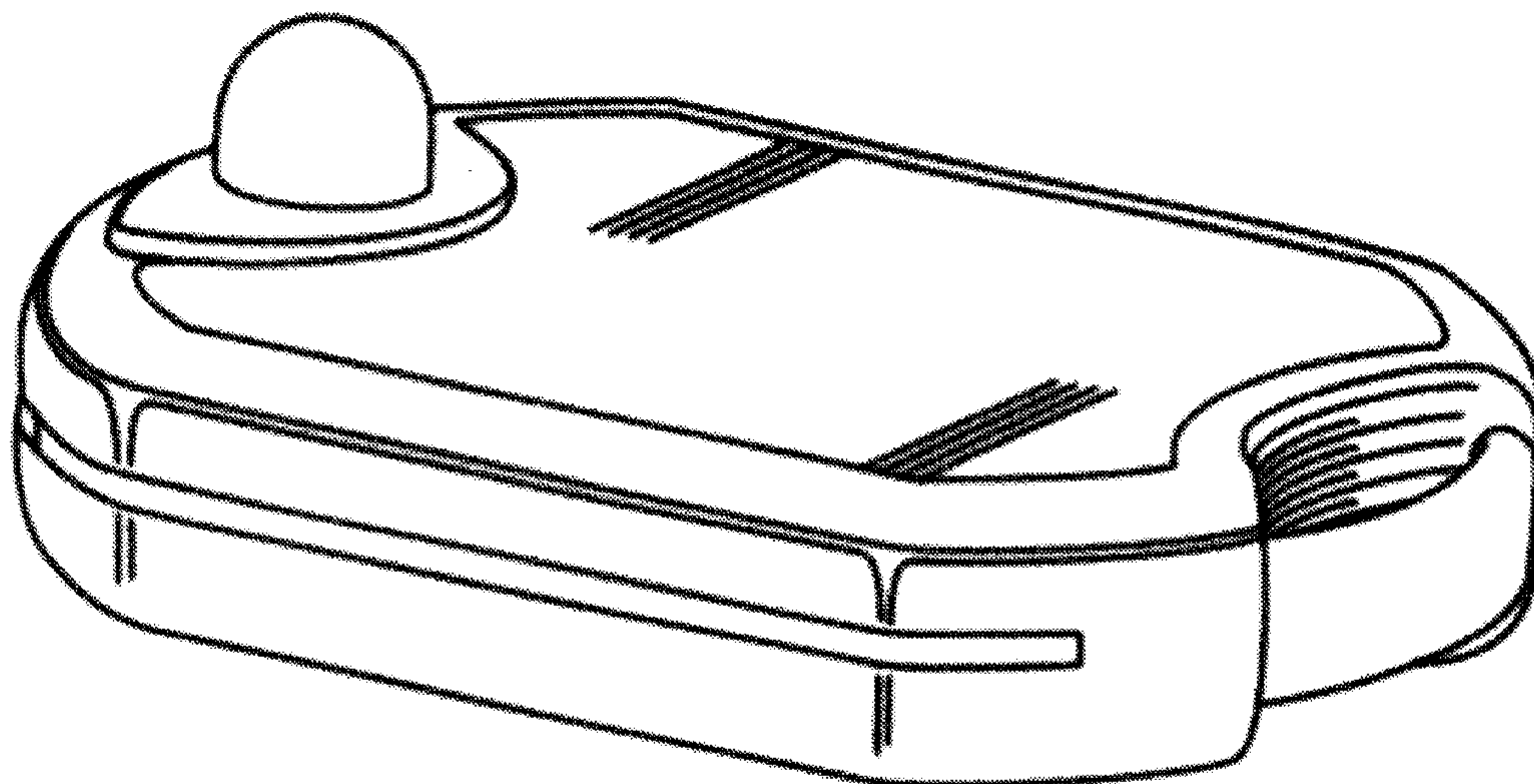
(57) **CLAIM**

The ornamental design for a tag for humans, animals or objects, as shown and described.

DESCRIPTION

FIG. 1 is a front perspective view of a tag for humans, animals or objects, showing my new design; FIG. 2 is a front elevational view thereof; and, FIG. 3 is a rear perspective view thereof.

1 Claim, 3 Drawing Sheets



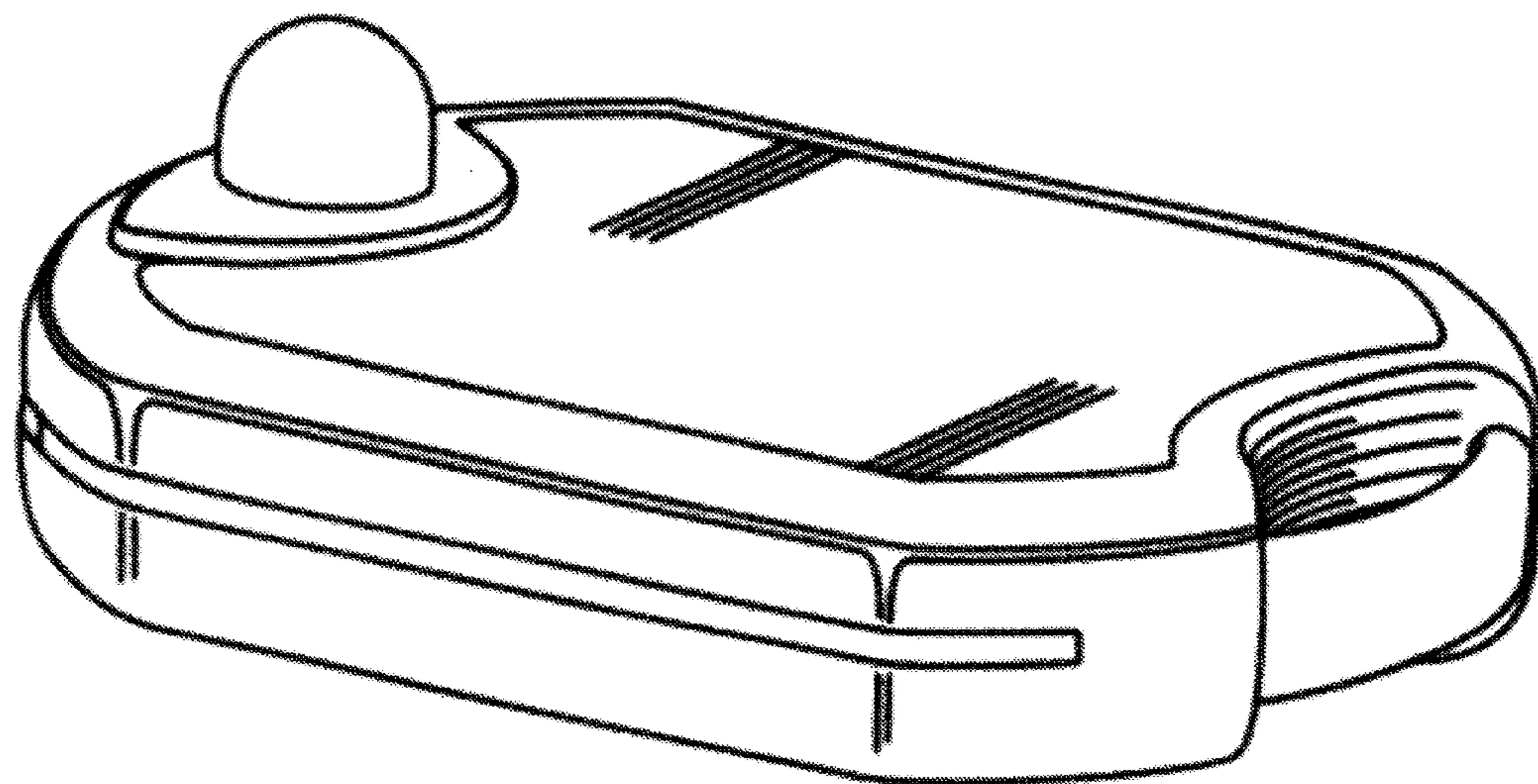


FIG. 1

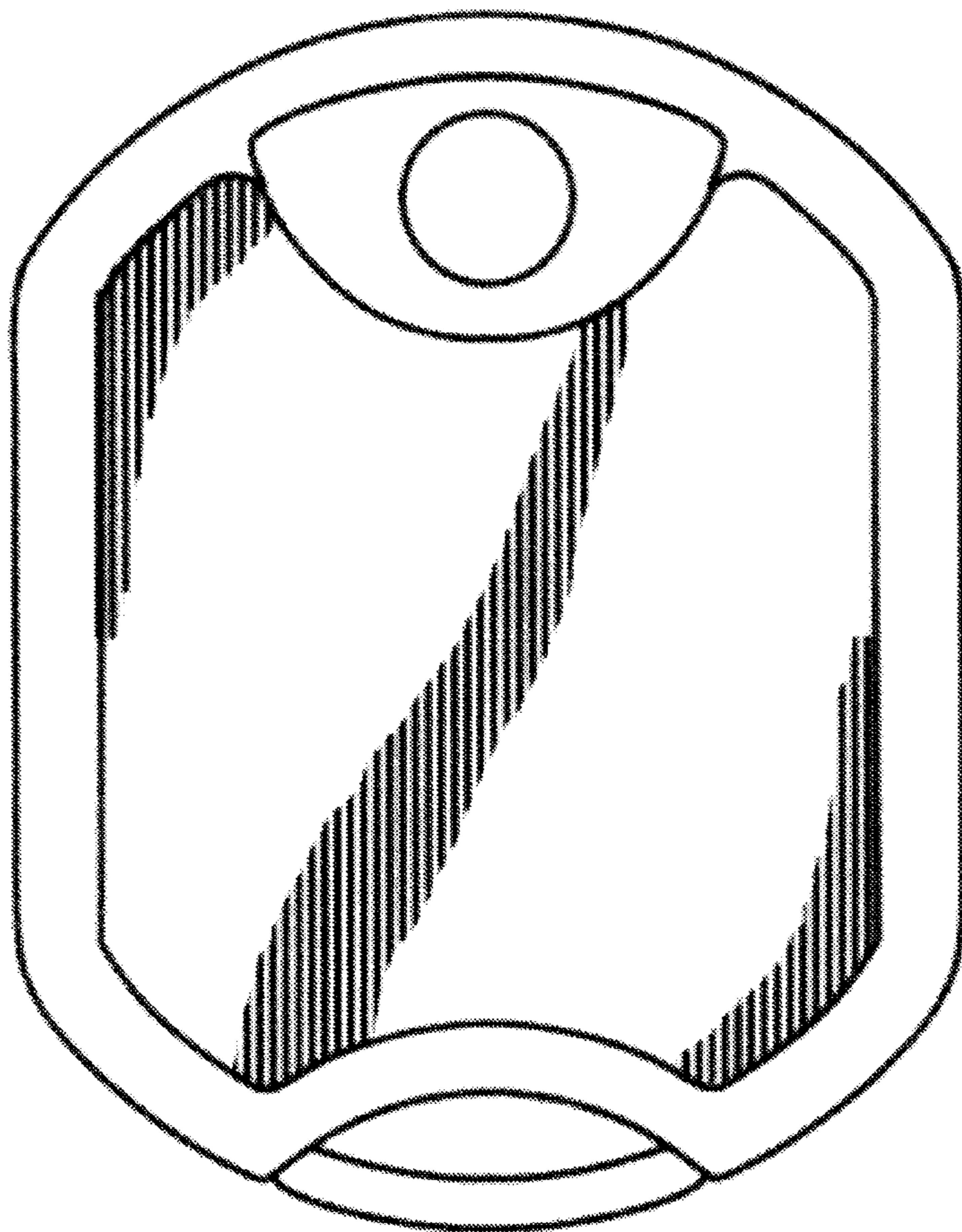


FIG. 2

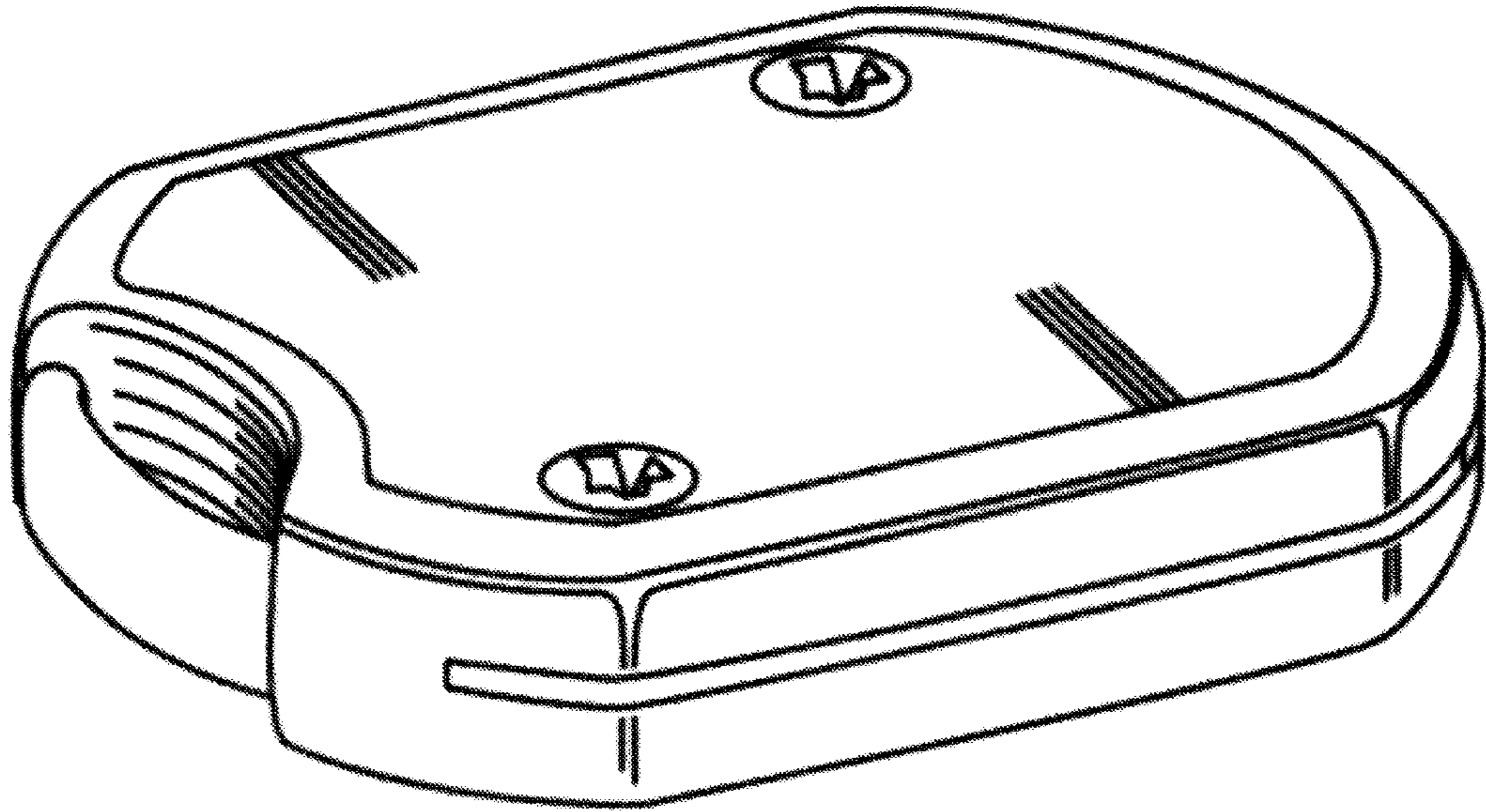


FIG. 3