

US00D523087S

(12) **United States Design Patent**  
**Chien**

(10) **Patent No.:** **US D523,087 S**

(45) **Date of Patent:** **\*\* Jun. 13, 2006**

(54) **MULTI-TIERED DESK TRAY**

(75) Inventor: **Shih Chieh Chien, Sijhih (TW)**

(73) Assignee: **Interlink Enterprise Co. Ltd., Taipei (TW)**

(\*\*) Term: **14 Years**

(21) Appl. No.: **29/225,561**

(22) Filed: **Mar. 18, 2005**

(51) **LOC (8) Cl.** ..... **19-02**

(52) **U.S. Cl.** ..... **D19/92**

(58) **Field of Classification Search** ..... D3/304,  
D3/314; D19/75, 78, 86, 87, 90, 91, 92, 95;  
206/215, 555, 556, 557; 211/11, 126.1, 126.2,  
211/126.3, 126.4, 126.5, 126.6, 126.7, 126.14,  
211/126.16

See application file for complete search history.

(56) **References Cited**

U.S. PATENT DOCUMENTS

D187,444 S \* 3/1960 Lewis ..... D19/92

D251,331 S \* 3/1979 Russell et al. .... D3/302

D348,284 S \* 6/1994 Thorud et al. .... D19/92

D366,170 S \* 1/1996 Temple ..... D6/511

D502,742 S \* 3/2005 Bain ..... D19/92

\* cited by examiner

*Primary Examiner*—Caron D. Veynar

*Assistant Examiner*—Elizabeth Albert

(57) **CLAIM**

The ornamental design for a multi-tiered desk tray, as shown and described.

**DESCRIPTION**

FIG. 1 is a perspective view of a multi-tiered desk tray showing the new design;

FIG. 2 is a front view thereof;

FIG. 3 is a rear view thereof;

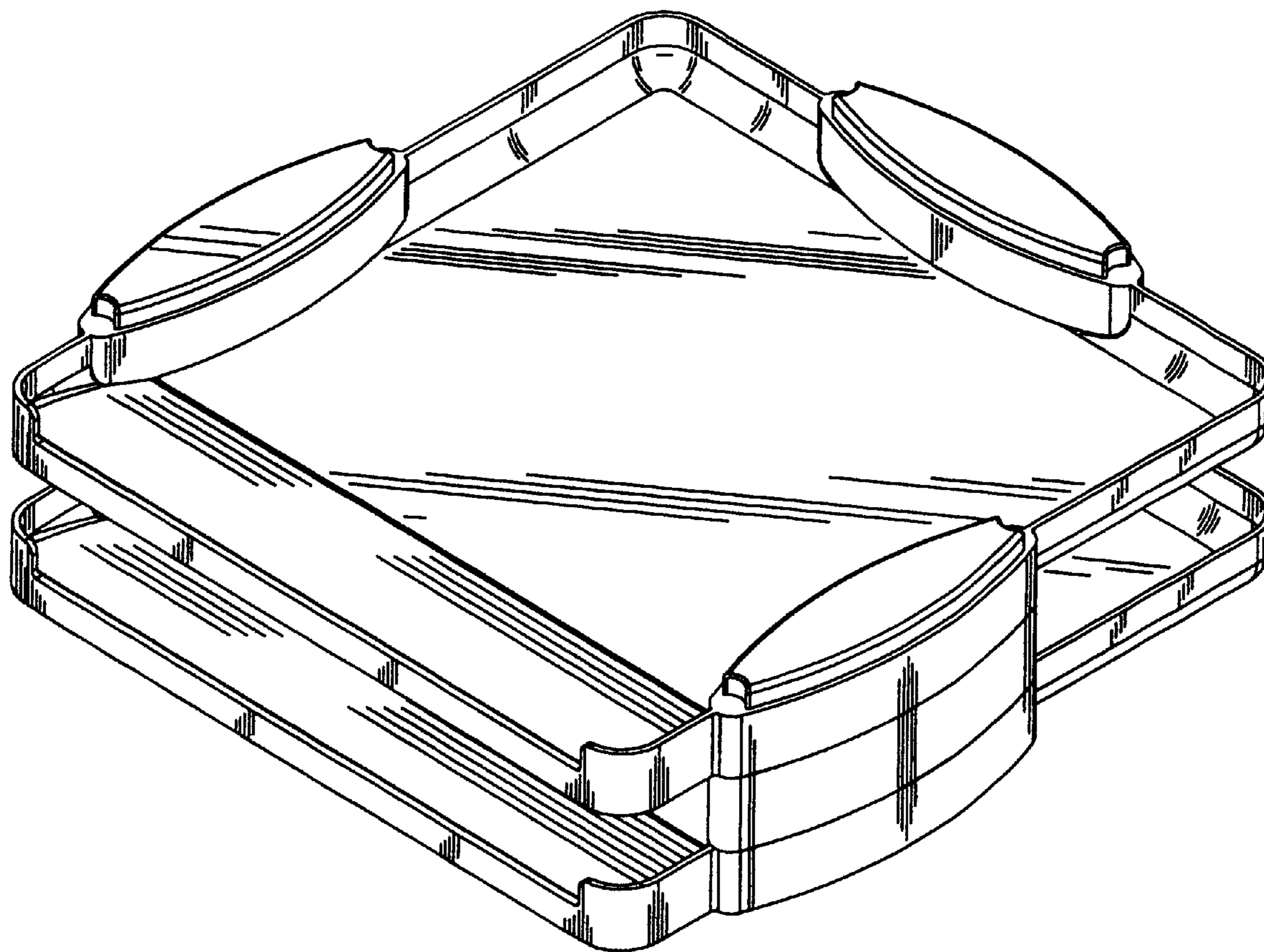
FIG. 4 is a left side view thereof;

FIG. 5 is a right side view thereof;

FIG. 6 is a top view thereof; and,

FIG. 7 is a bottom view thereof.

**1 Claim, 7 Drawing Sheets**



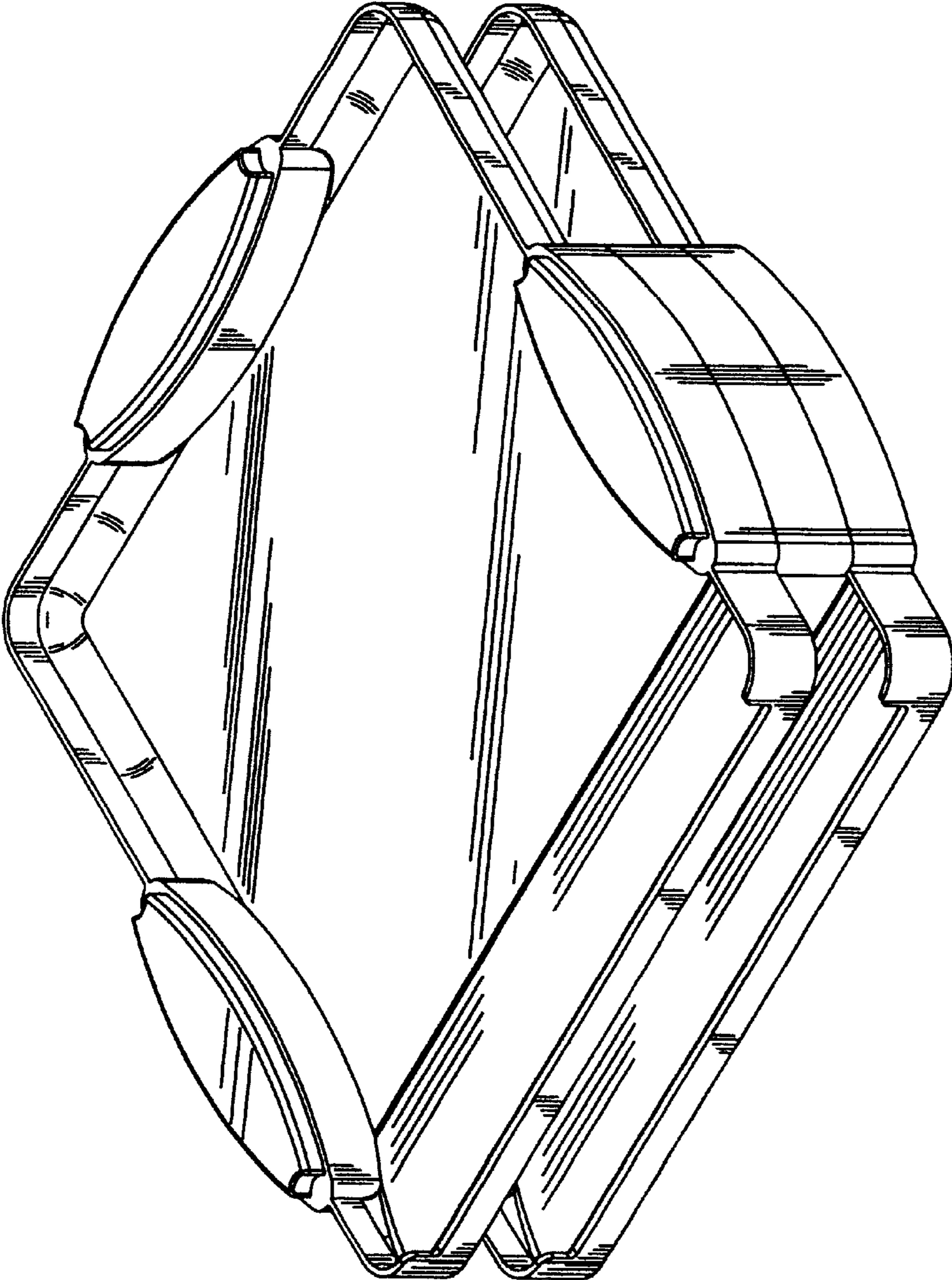
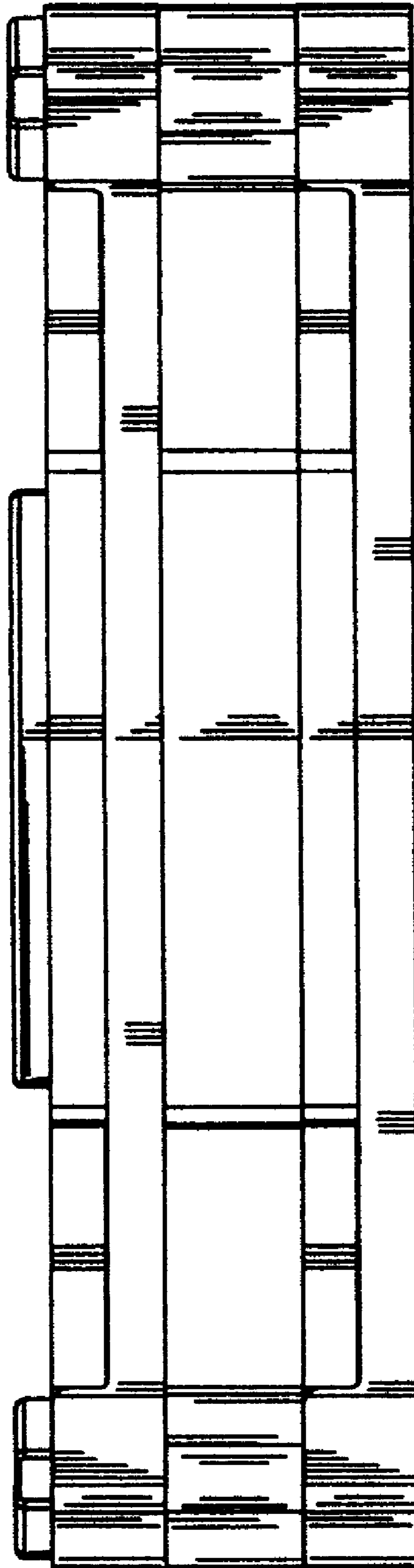
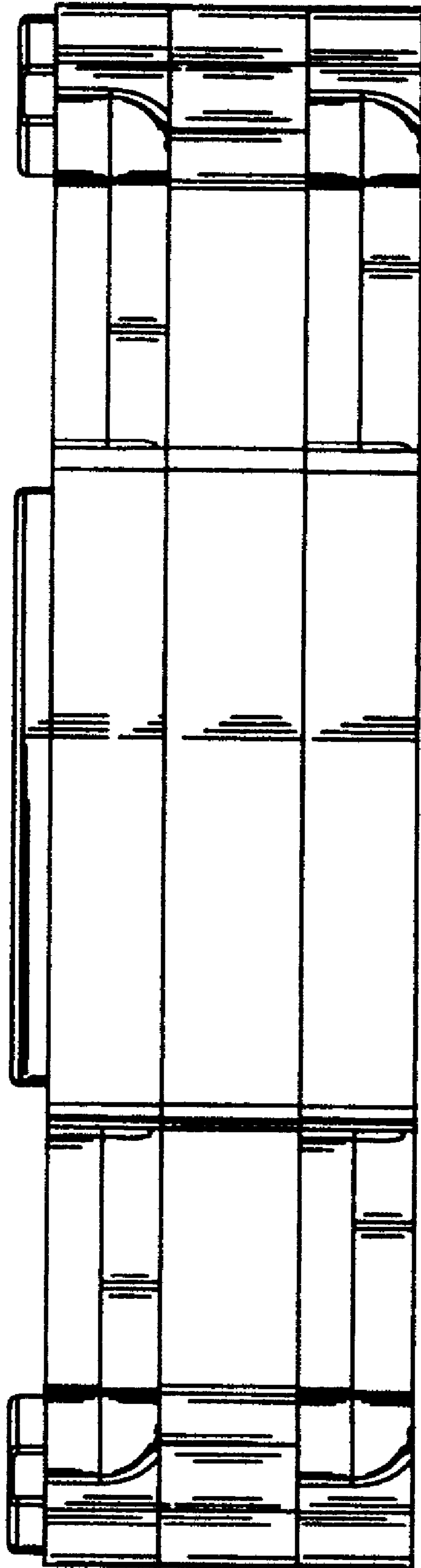


FIG. 1



**FIG. 2**



**FIG. 3**

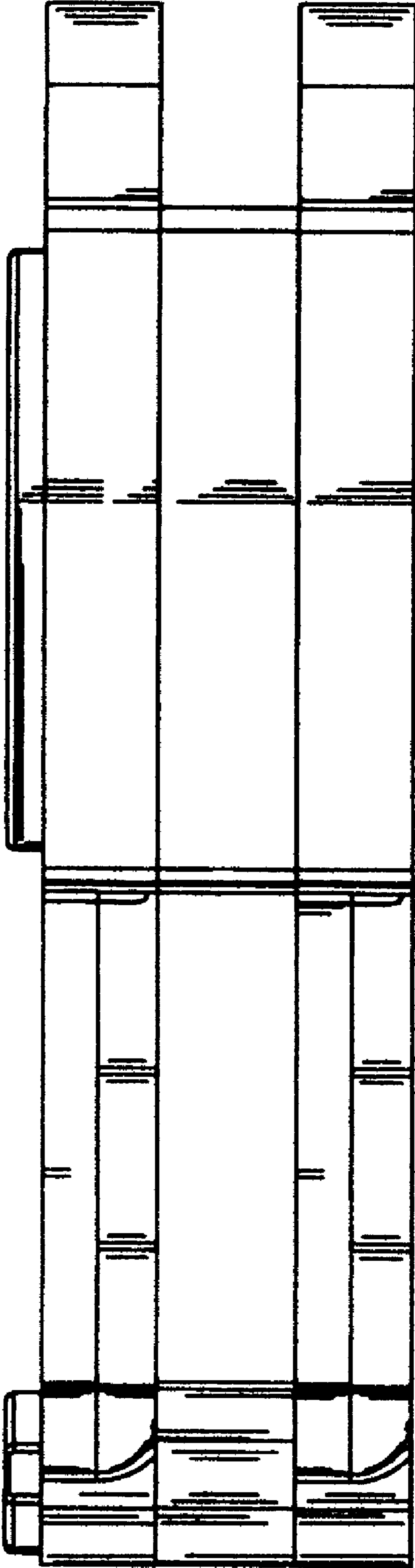
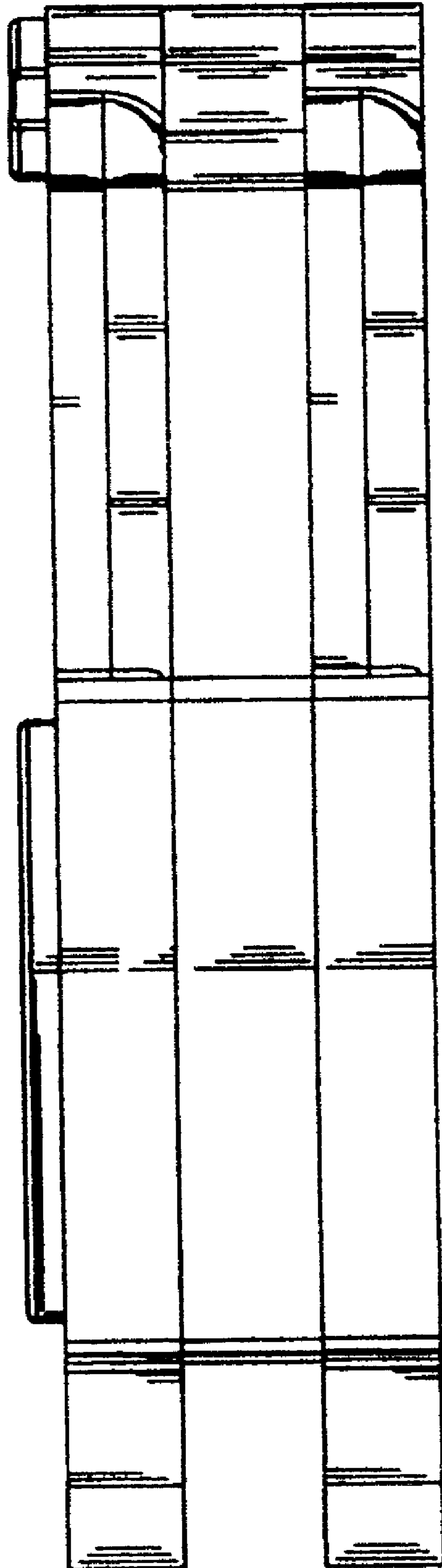


FIG. 4



**FIG. 5**

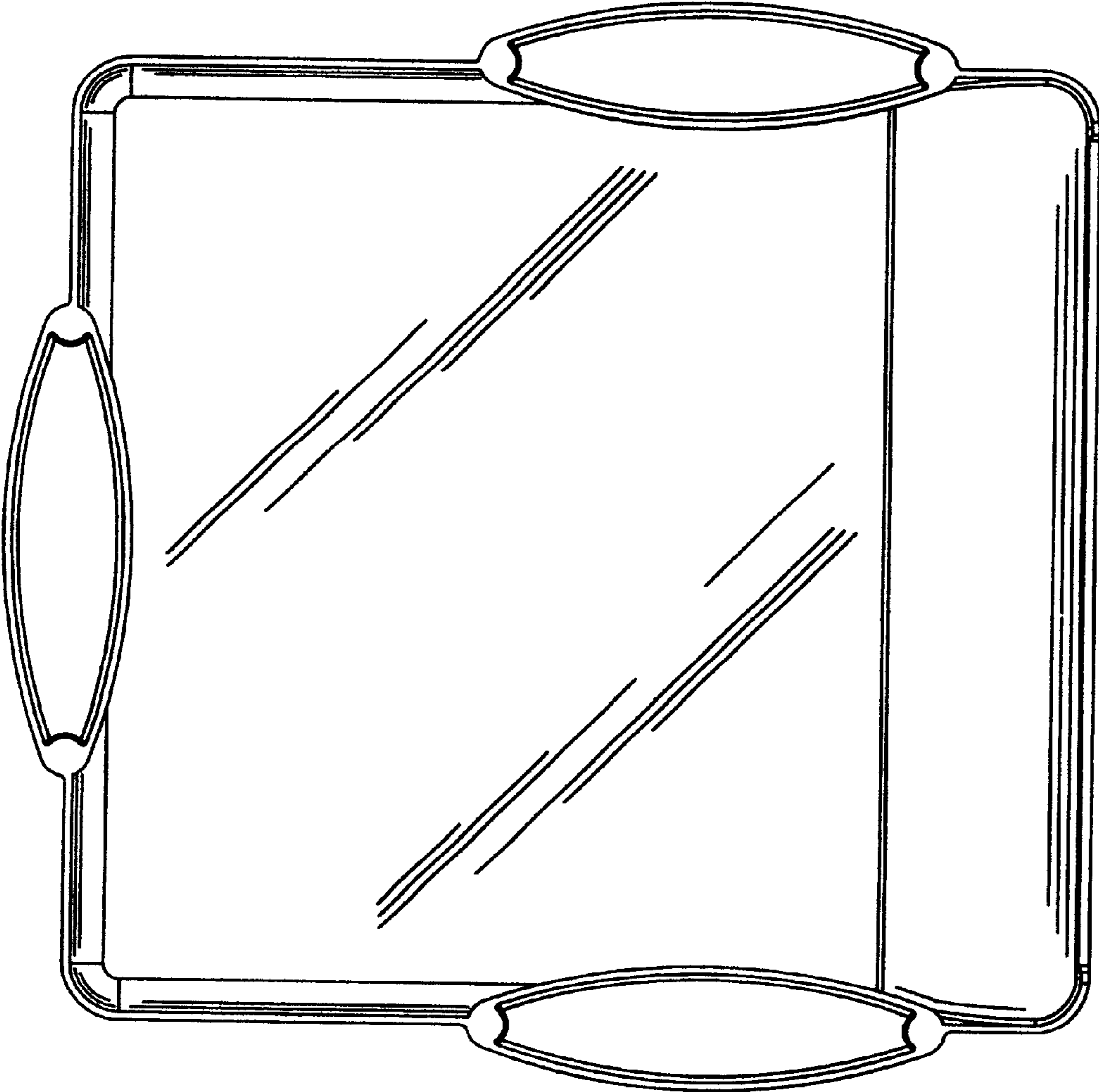


FIG. 6

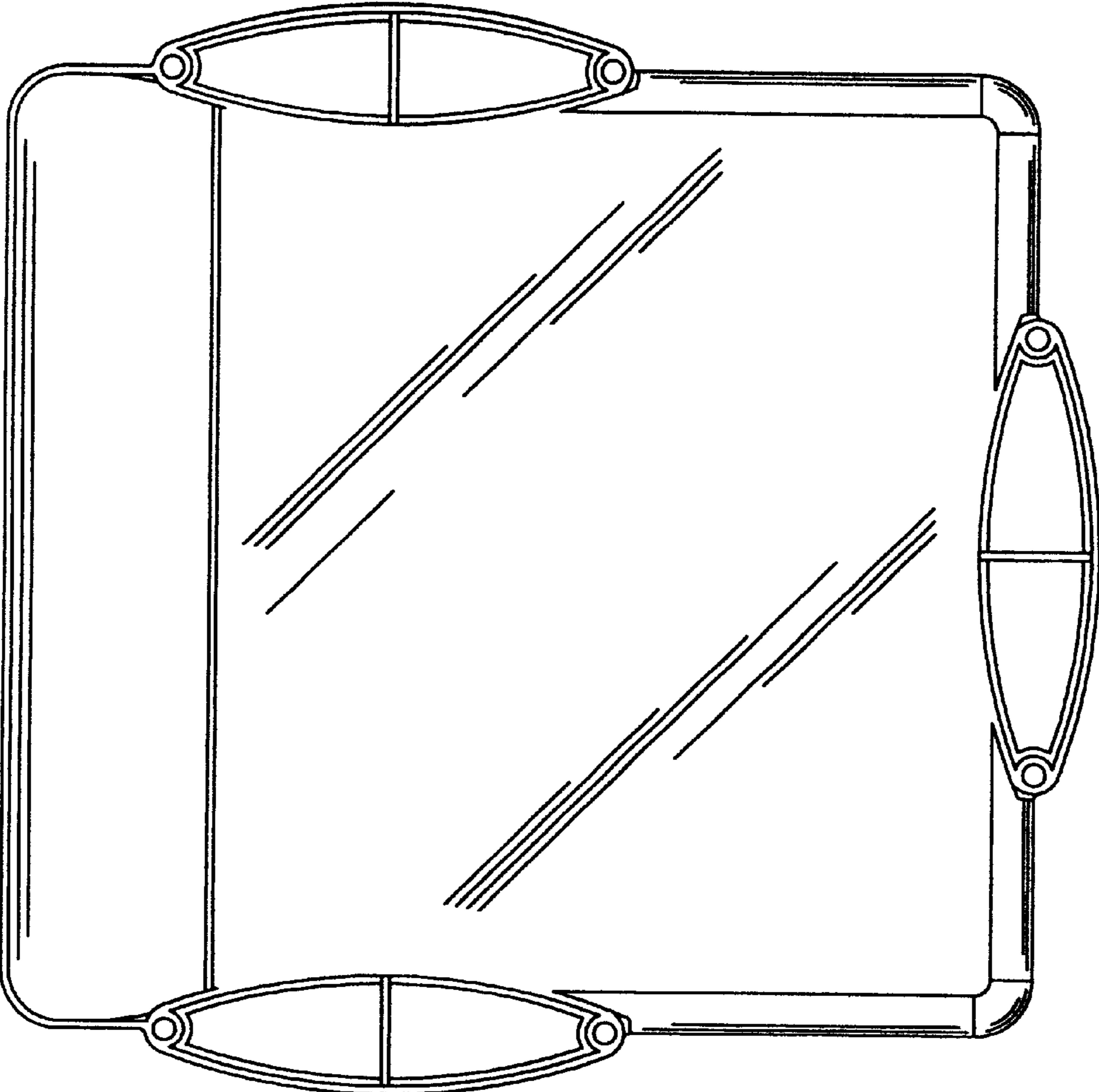


FIG. 7