



US00D523075S

(12) **United States Design Patent**  
**Sasaki et al.**

(10) **Patent No.:** **US D523,075 S**  
(45) **Date of Patent:** **\*\* Jun. 13, 2006**

(54) **INK CARTRIDGE**

(75) Inventors: **Toyonori Sasaki**, Anjo (JP); **Shingo Hattori**, Tsushima (JP)

(73) Assignee: **Brother Industries, Ltd.**, Nagoya (JP)

(\*\*) Term: **14 Years**

(21) Appl. No.: **29/209,022**

(22) Filed: **Jul. 12, 2004**

(30) **Foreign Application Priority Data**

Feb. 6, 2004 (JP) ..... 2004-003085

(51) **LOC (8) Cl.** ..... **18-02**

(52) **U.S. Cl.** ..... **D18/56; 347/86**

(58) **Field of Classification Search** ..... D18/40,  
D18/43, 56; 347/86, 87; 399/110  
See application file for complete search history.

(56) **References Cited**

**U.S. PATENT DOCUMENTS**

D110,624 S \* 7/1938 MeKeel, Jr. .... D18/43  
6,068,371 A \* 5/2000 Wallace et al. .... 347/86  
6,137,513 A \* 10/2000 Pawlowski et al. .... 347/86  
6,155,678 A \* 12/2000 Komplin et al. .... 347/86  
6,164,743 A \* 12/2000 Hmelar et al. .... 347/86

D447,514 S \* 9/2001 Takanaka et al. .... D18/56  
6,431,699 B1 \* 8/2002 Shihoh et al. .... 347/86  
6,467,889 B1 \* 10/2002 Miyazaki et al. .... 347/86  
6,477,956 B1 \* 11/2002 Rea et al. .... 347/87  
D472,919 S \* 4/2003 Shimizu et al. .... D18/56  
D489,756 S \* 5/2004 Matsumoto et al. .... D18/56  
D489,757 S \* 5/2004 Matsumoto ..... D18/56  
6,880,923 B1 \* 4/2005 Lee et al. .... 347/86

\* cited by examiner

*Primary Examiner*—Cathy Anne MacCormac

(74) *Attorney, Agent, or Firm*—Oliff & Berridge, PLC

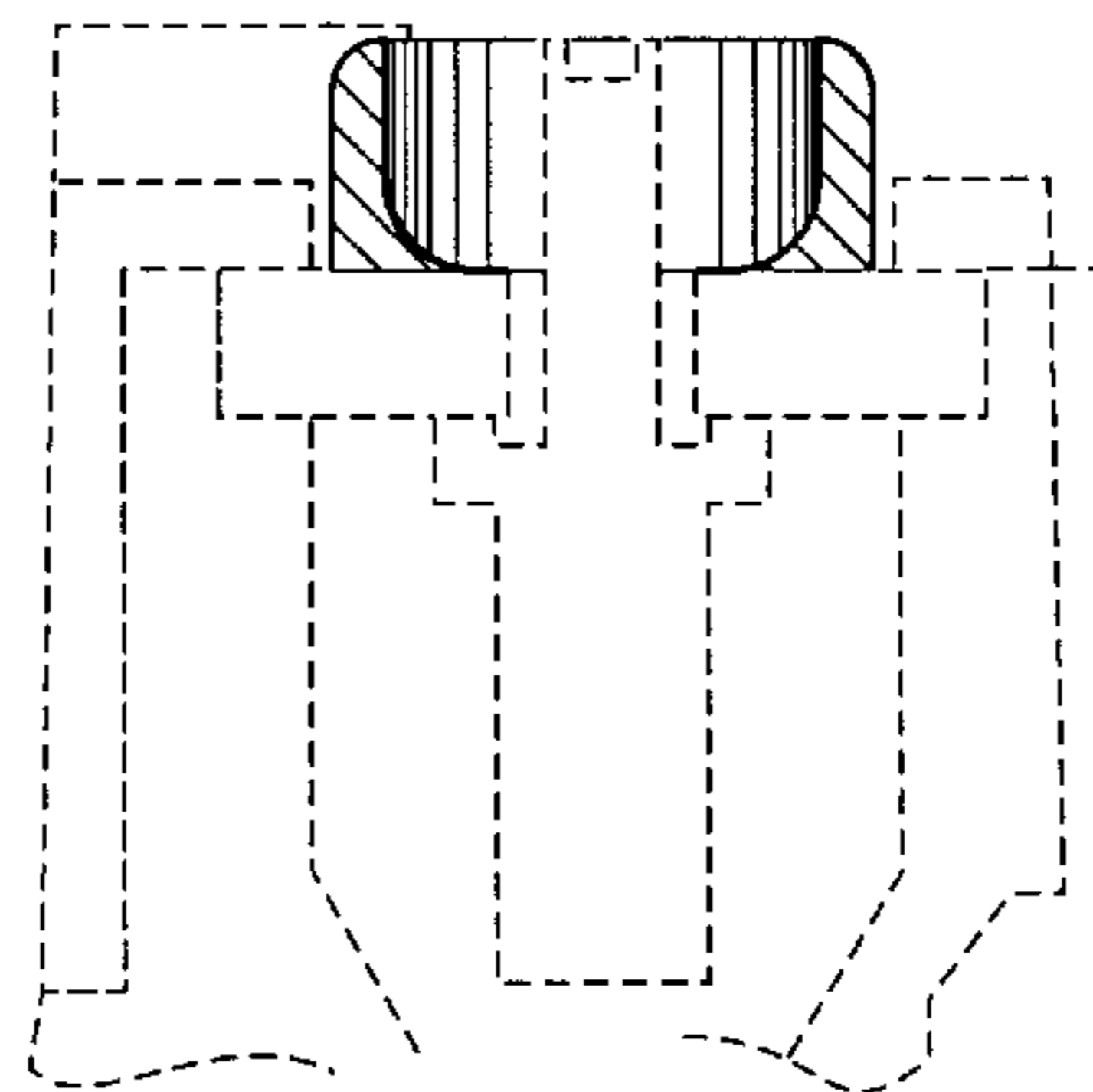
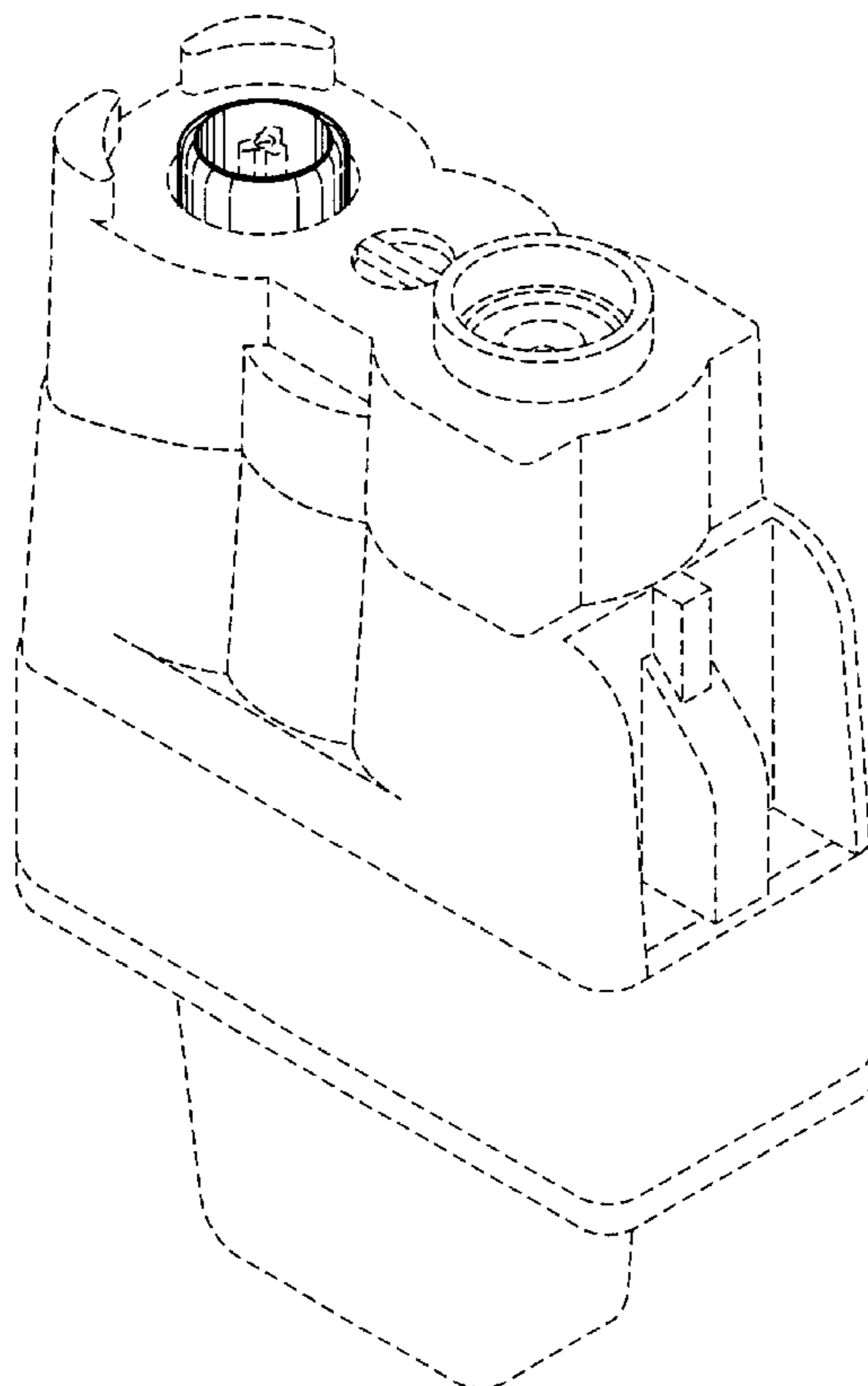
(57) **CLAIM**

The ornamental design for an ink cartridge, as shown and described.

**DESCRIPTION**

FIG. 1 is a perspective view of an ink cartridge;  
FIG. 2 is a front view thereof;  
FIG. 3 is a top view thereof;  
FIG. 4 is a left side view thereof;  
FIG. 5 is a rear view thereof; and,  
FIG. 6 is a cross-sectional view thereof taken along the lines  
6—6 of FIG. 3.  
The broken lines are for illustrative purposes only and do not  
form part of the claimed design.

**1 Claim, 3 Drawing Sheets**



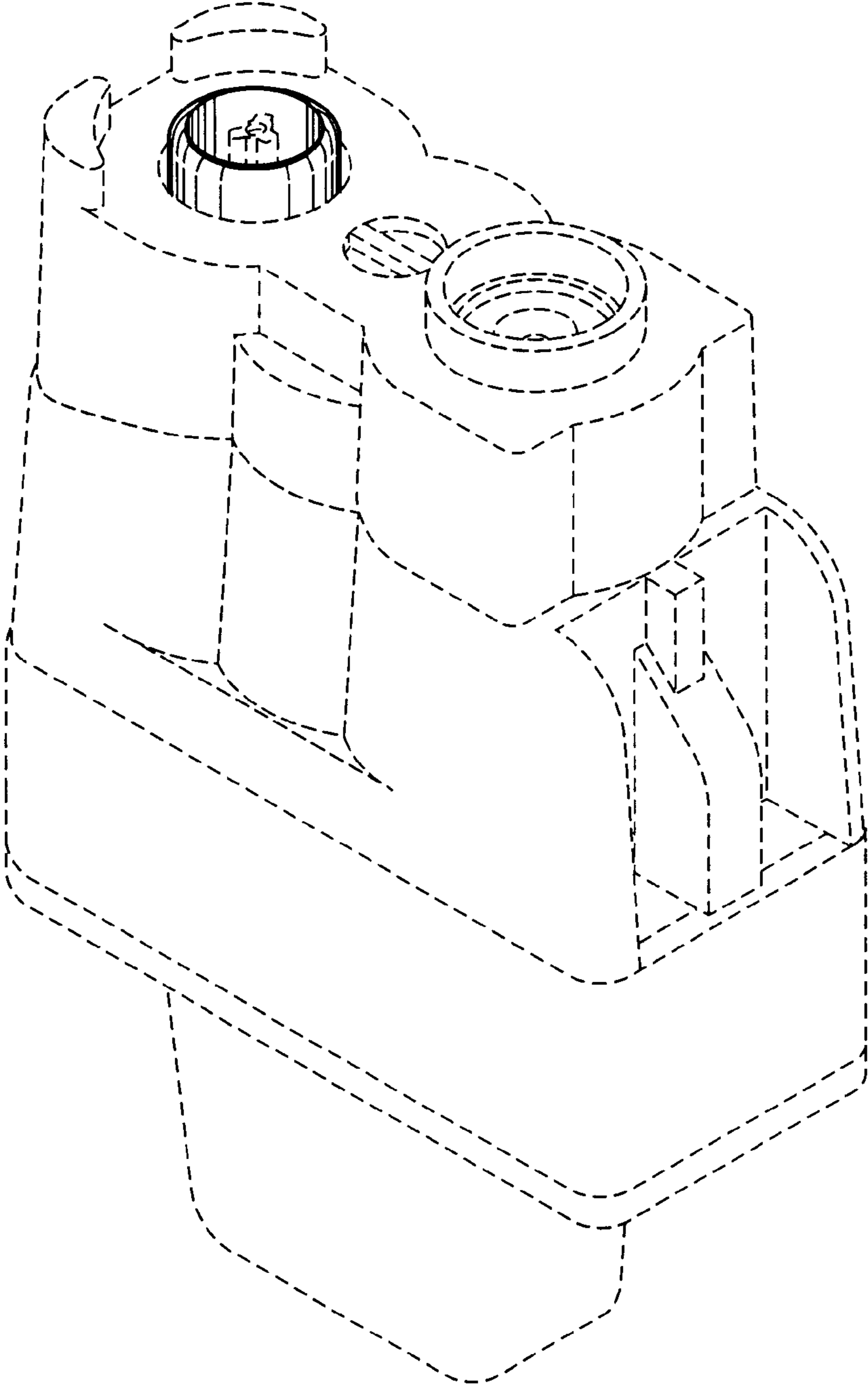


FIG. 1

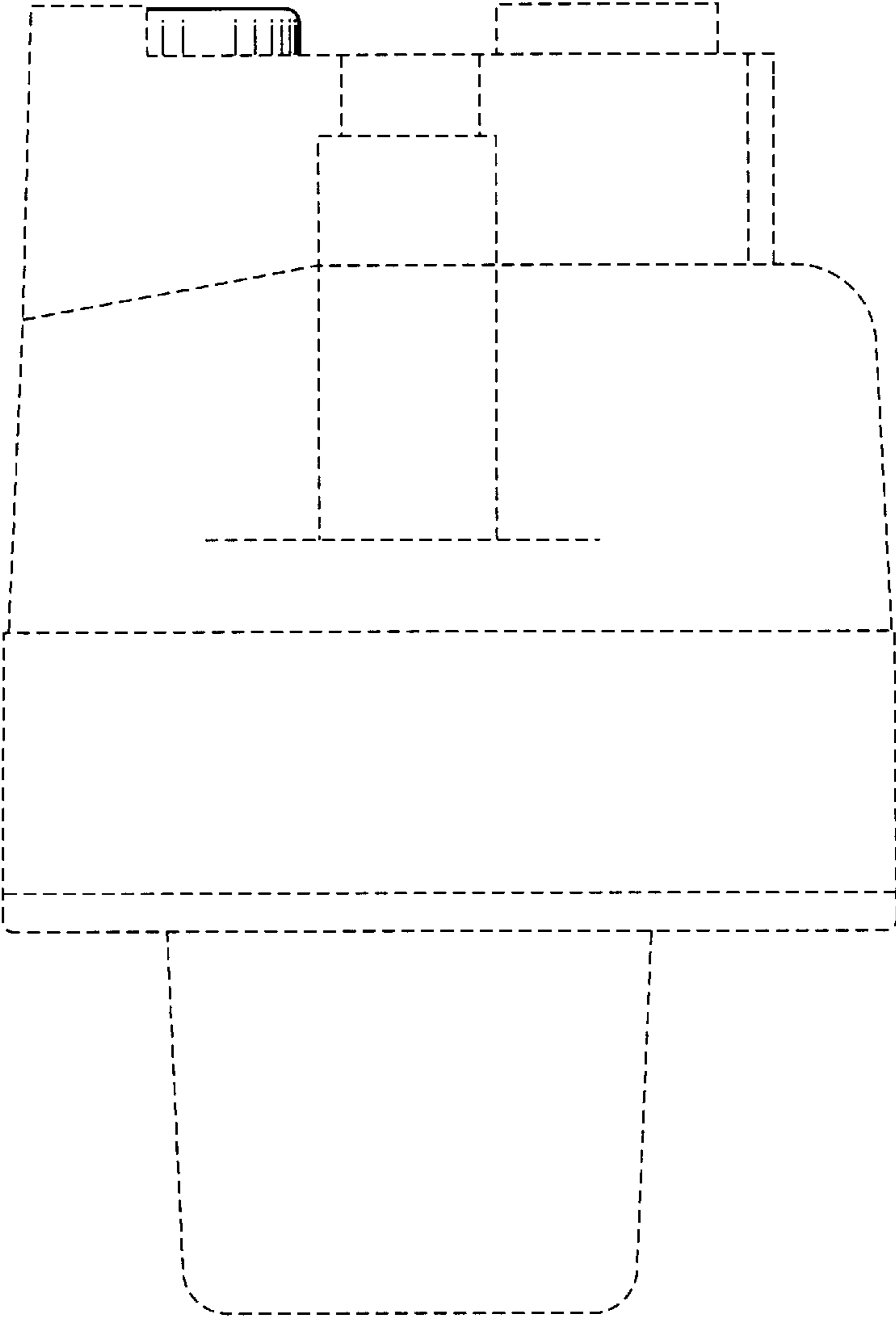


FIG. 2

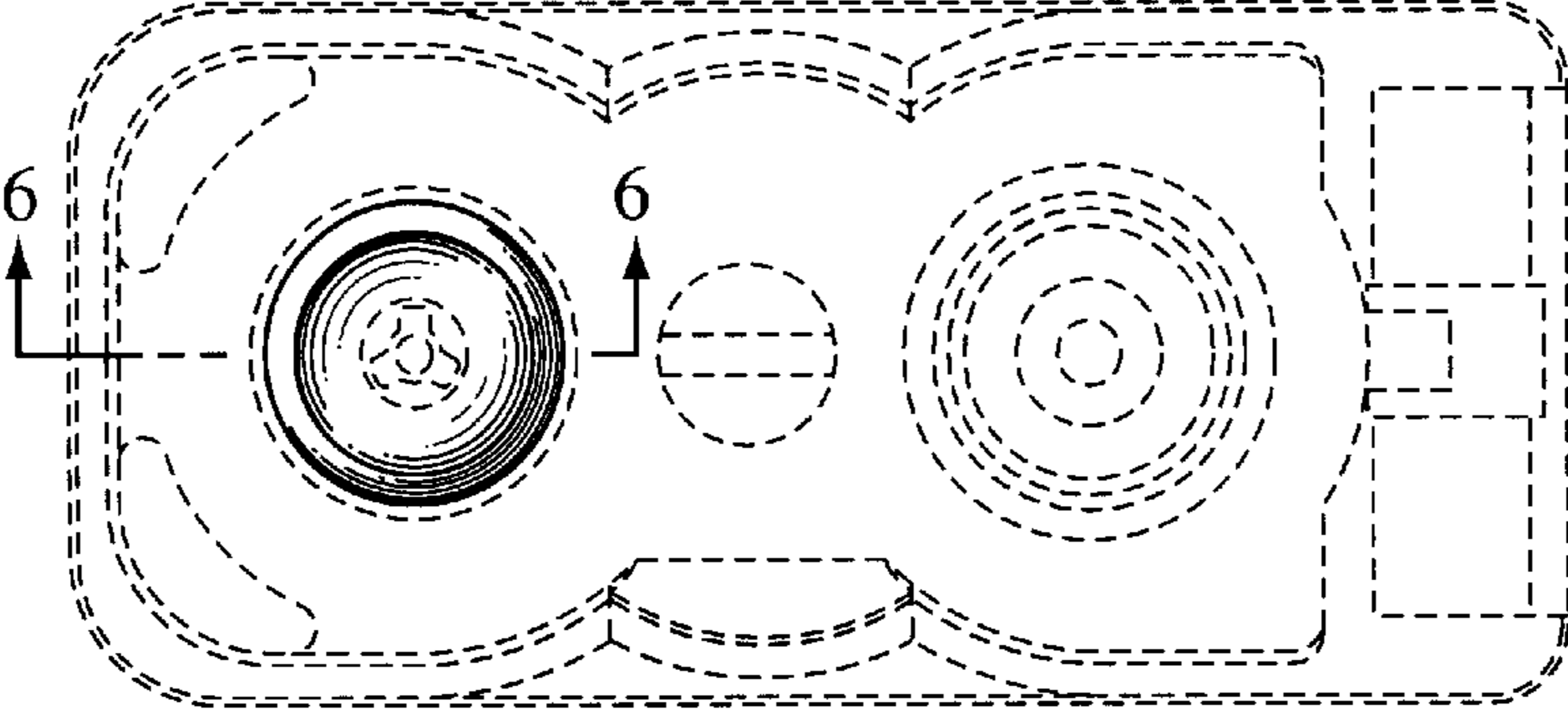


FIG. 3

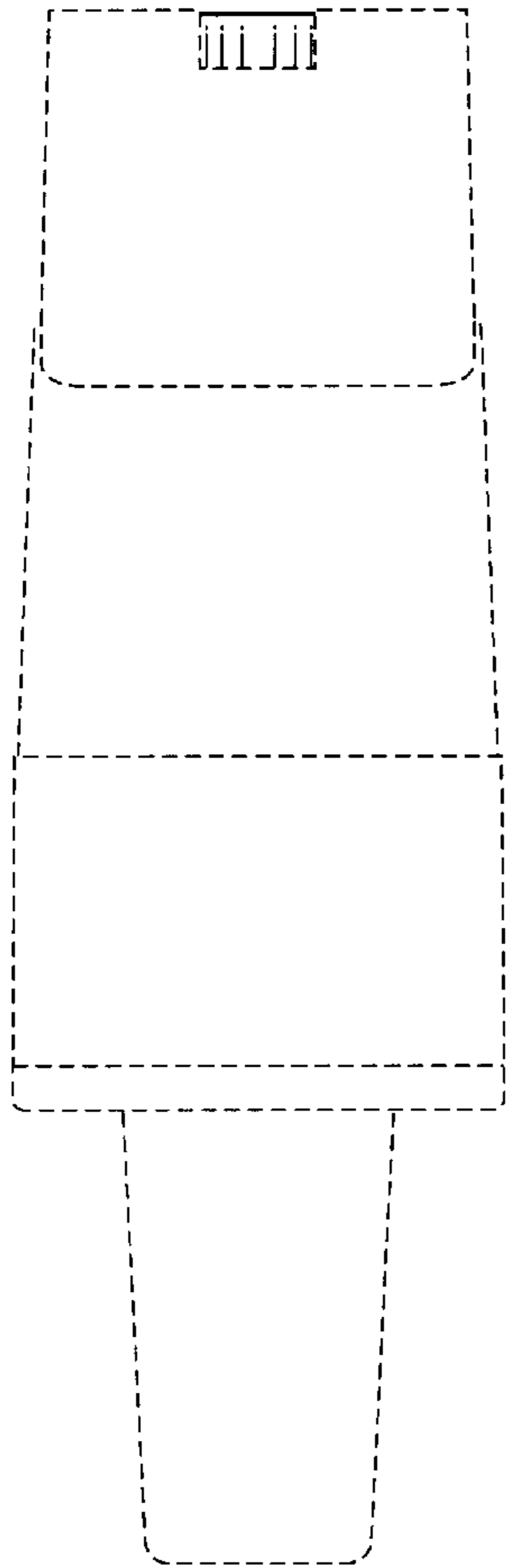


FIG. 4

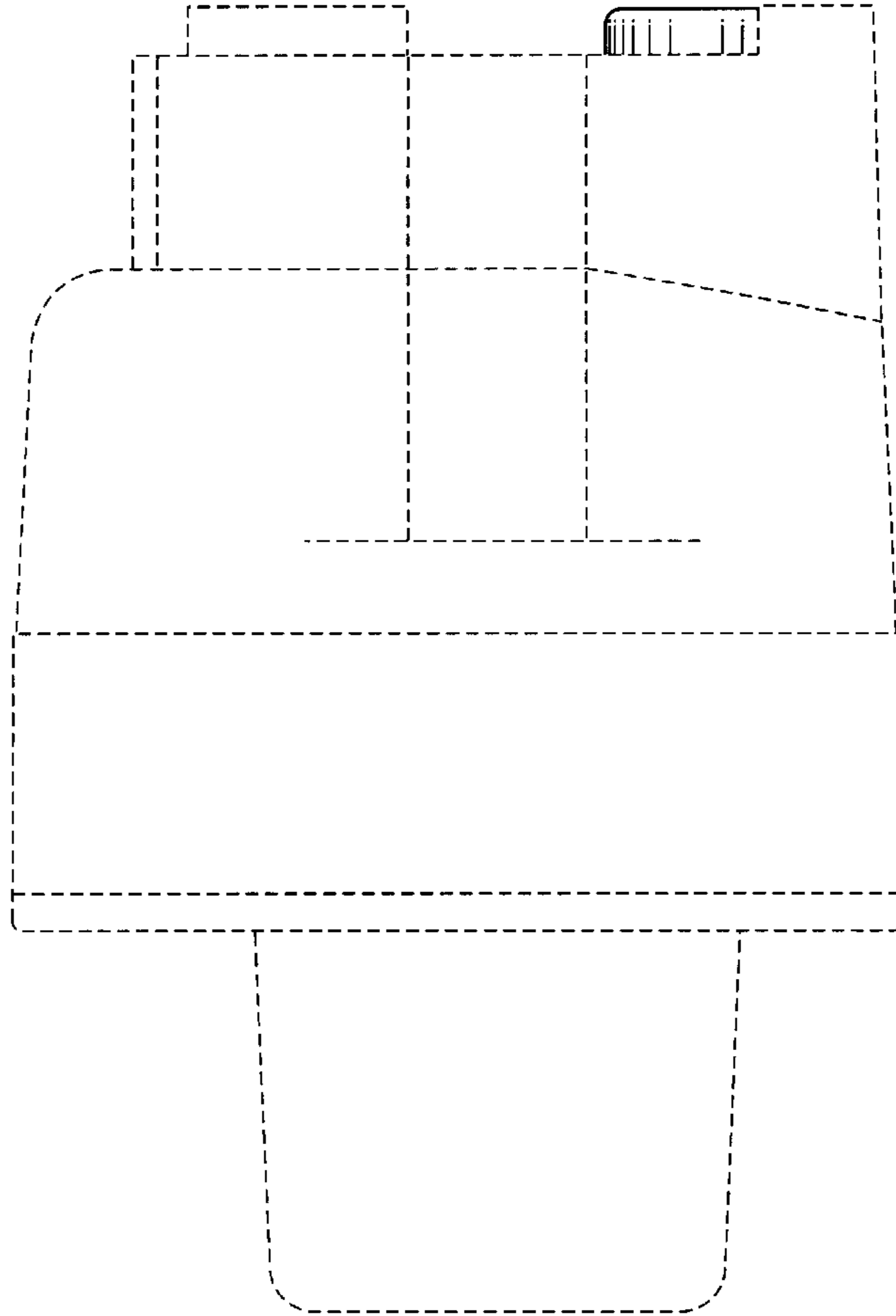


FIG. 5

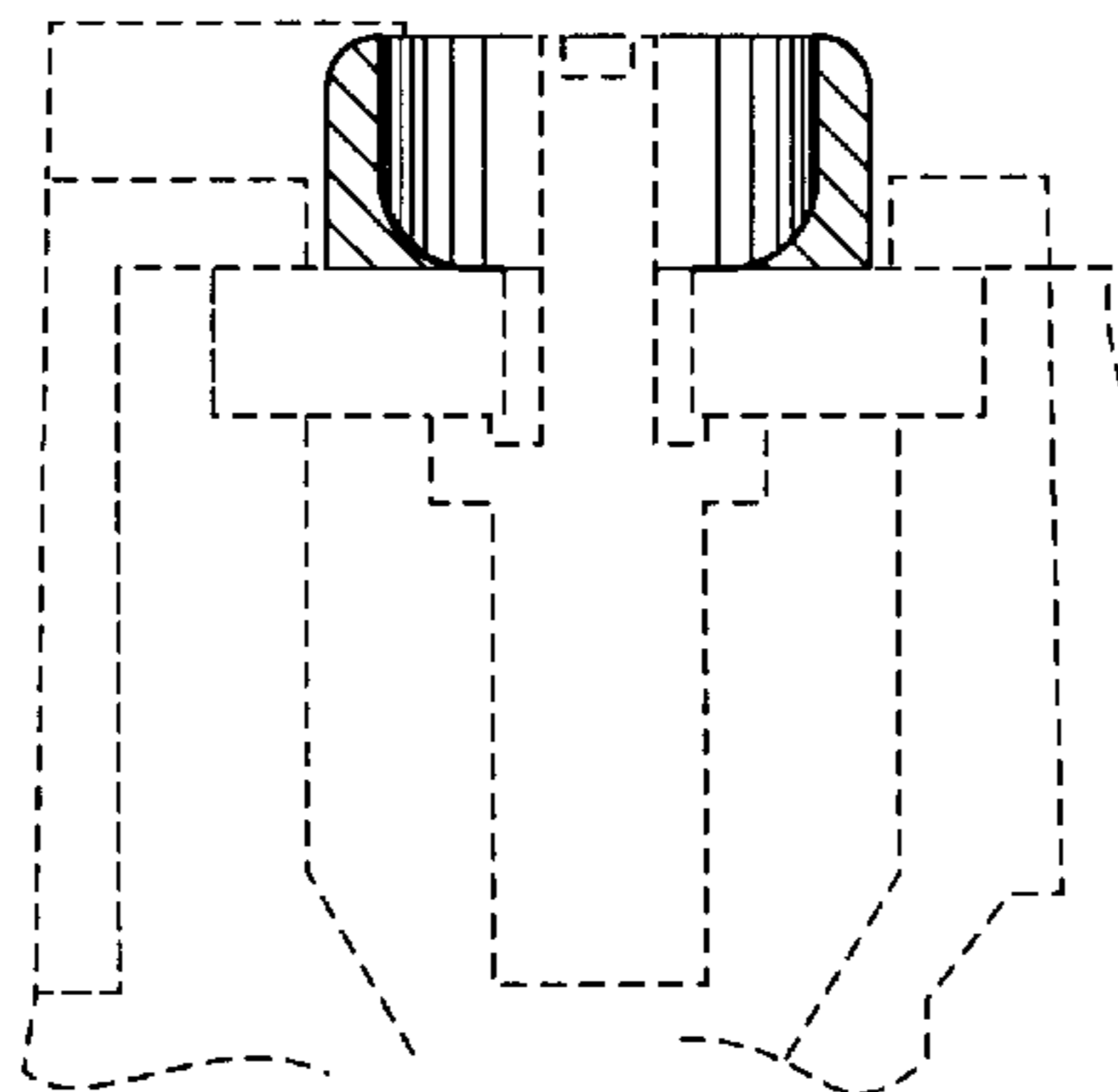


FIG. 6